

US00D560405S

(12) **United States Design Patent**
Cramer

(10) **Patent No.:** **US D560,405 S**

(45) **Date of Patent:** **** Jan. 29, 2008**

(54) **TABLE BASE**

D482,548 S * 11/2003 Lenger D6/495
D531,838 S * 11/2006 Domack et al. D6/480

(75) Inventor: **Paul H. Cramer**, Fort Lauderdale, FL
(US)

* cited by examiner

(73) Assignee: **Cramco, Inc.**, Philadelphia, PA (US)

Primary Examiner—Janice E. Seeger
(74) *Attorney, Agent, or Firm*—Caesar Rivise Bernstein
Cohen & Pokotilow, Ltd.

(**) Term: **14 Years**

(21) Appl. No.: **29/249,018**

(57) **CLAIM**

(22) Filed: **Sep. 15, 2006**

The ornamental design for a table base, as shown and described.

(51) **LOC (8) Cl.** **06-06**

(52) **U.S. Cl.** **D6/495; D6/486**

(58) **Field of Classification Search** D6/480–489,
D6/495–499, 511, 452; 108/150, 151, 153.1,
108/155, 156, 157.1, 161, 118; 248/188,
248/188.1, 188.7, 188.8; D21/783
See application file for complete search history.

DESCRIPTION

FIG. 1 is a front elevational view of the table base, a rear elevational view, a left side elevational view, and a right side elevational view thereof being identical;

FIG. 2 is a top plan view thereof; and,

FIG. 3 is a bottom plan view thereof.

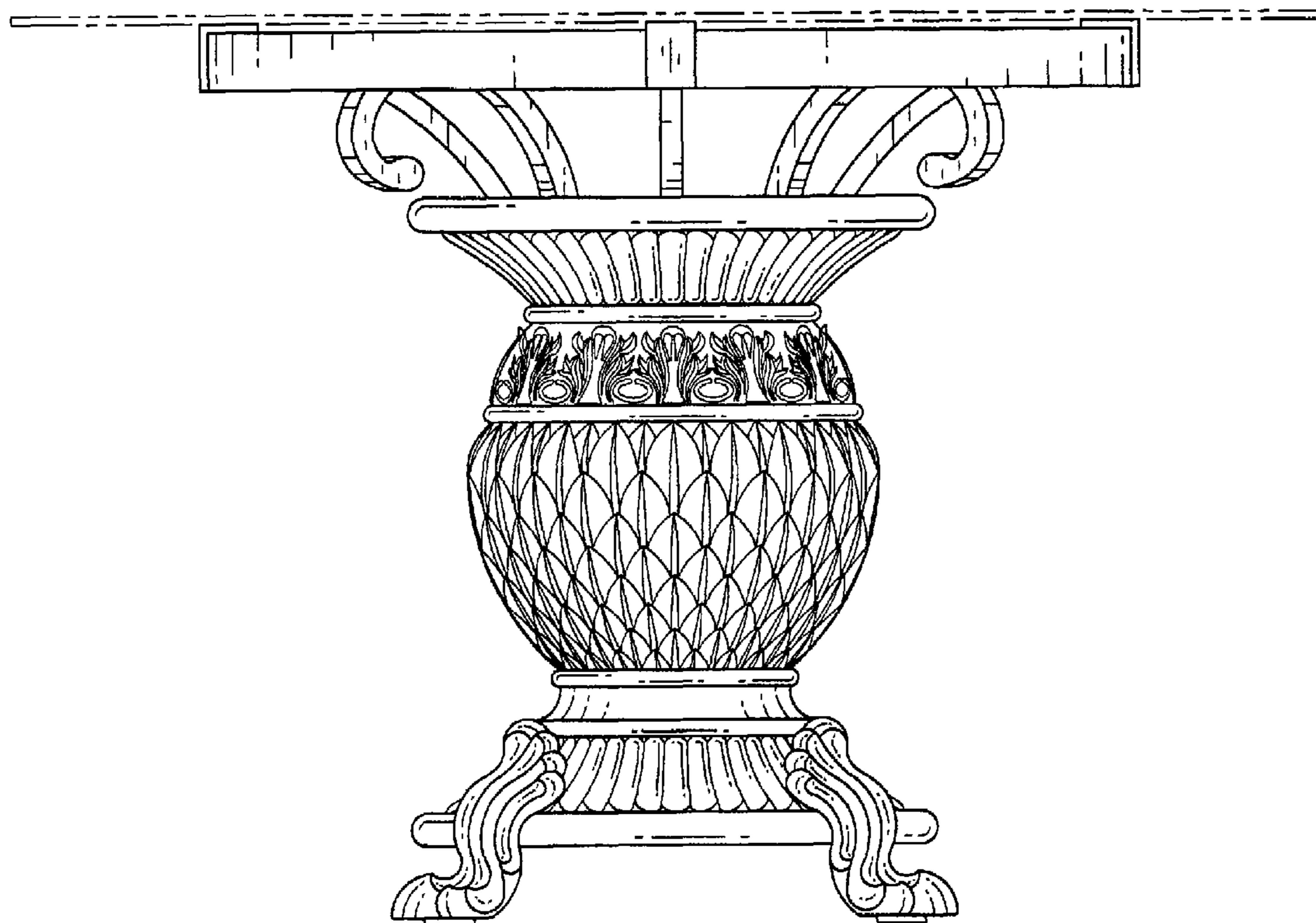
The broken lines in the figures are for illustrative purposes only and form no part of the claimed design.

(56) **References Cited**

U.S. PATENT DOCUMENTS

D455,917 S * 4/2002 Vaaler D6/486
D457,357 S * 5/2002 Vaaler D6/480

1 Claim, 3 Drawing Sheets



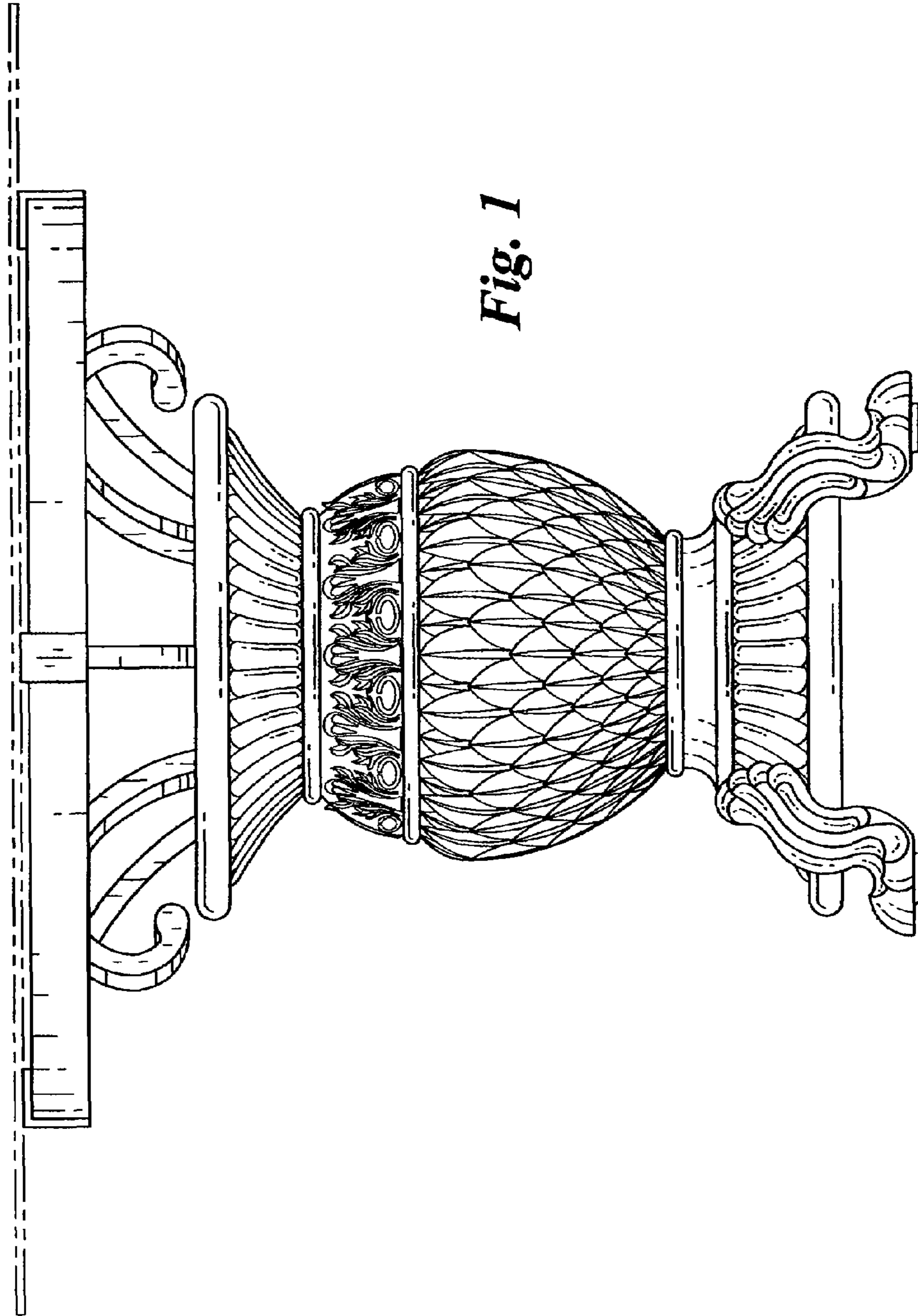


Fig. 1

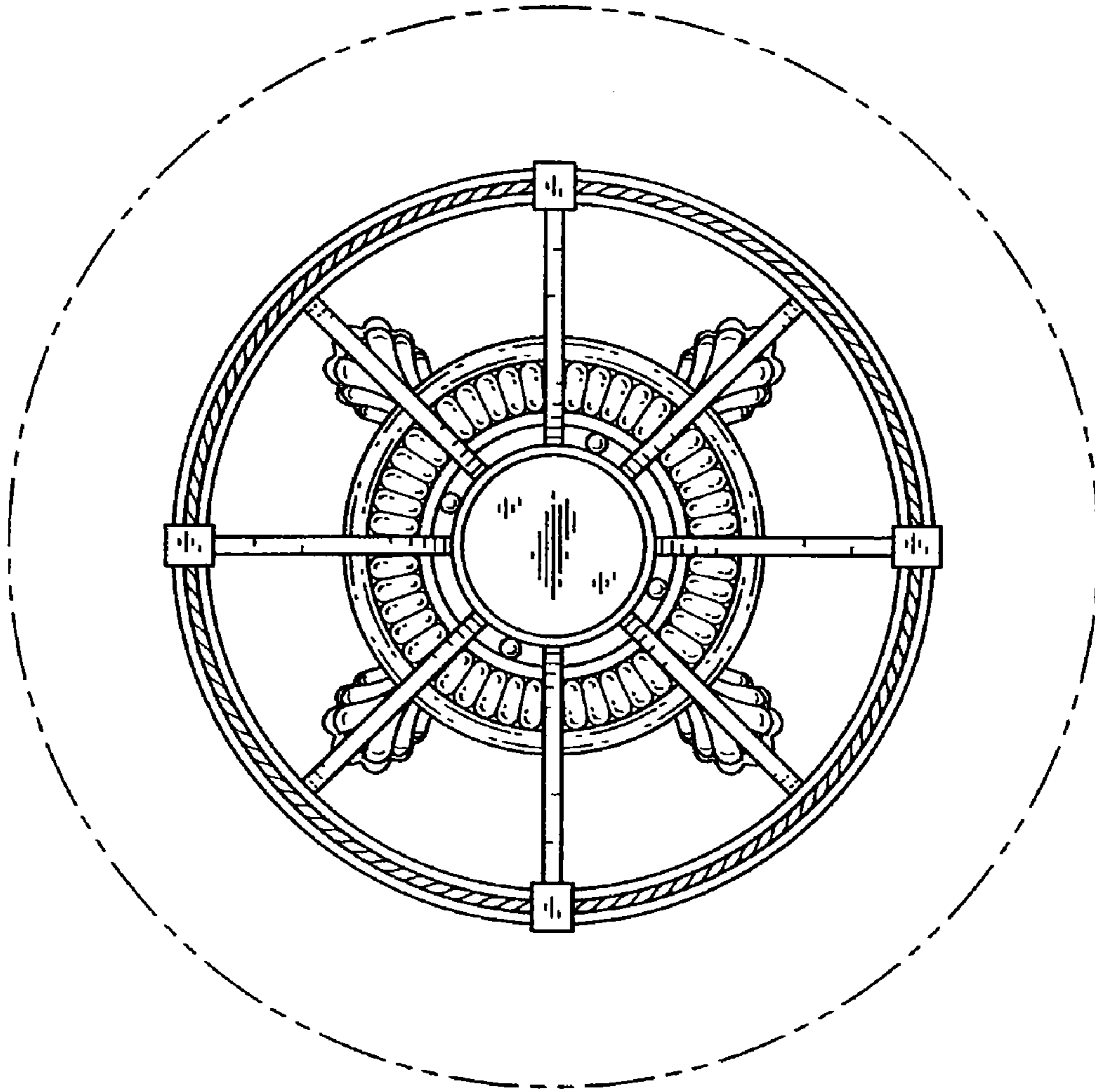


Fig. 2

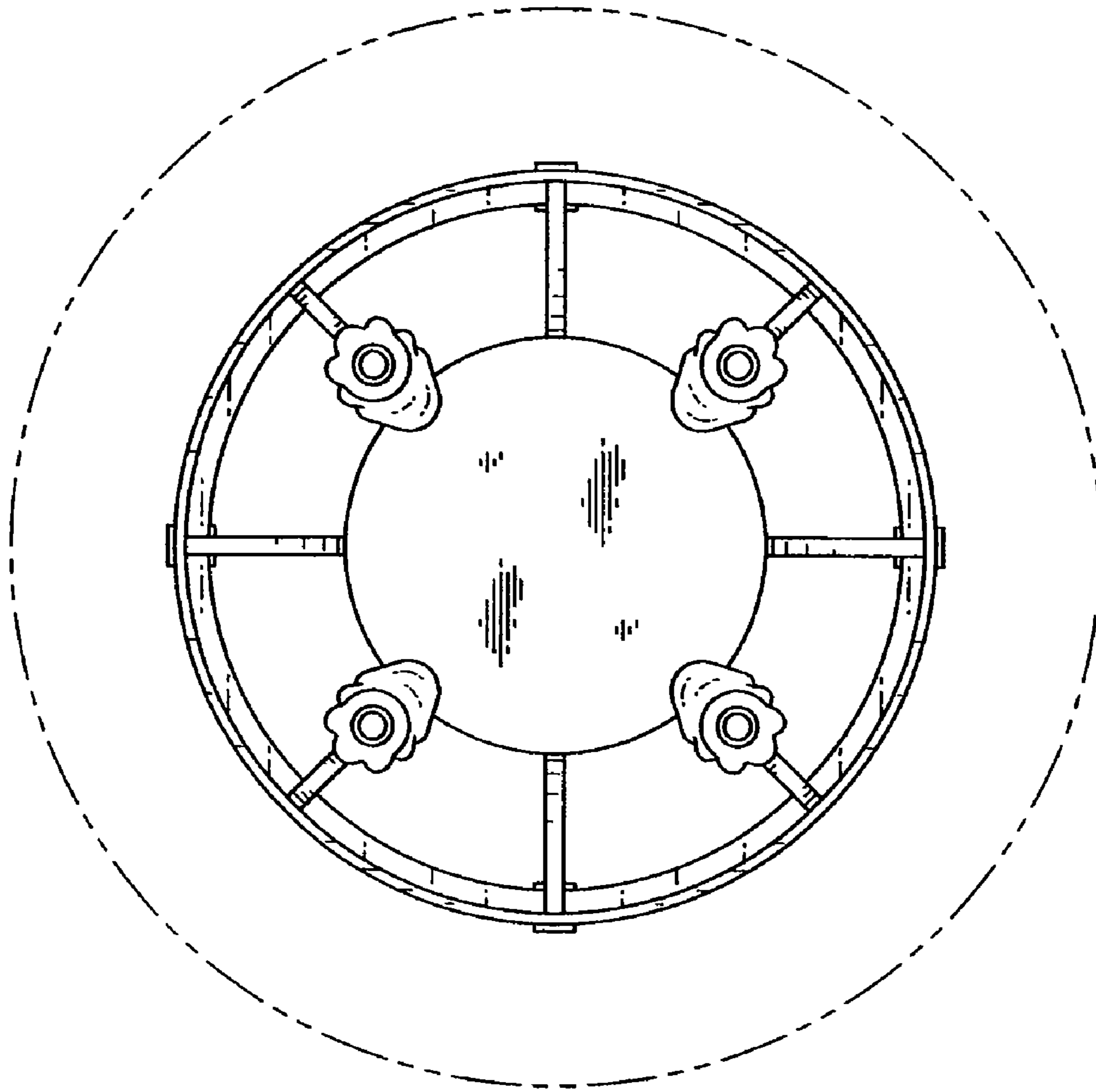


Fig. 3