



US00D560404S

(12) **United States Design Patent**  
**Tseng**

(10) **Patent No.:** **US D560,404 S**

(45) **Date of Patent:** **\*\* Jan. 29, 2008**

(54) **PATTERN FOR CABINET DOOR**

(75) Inventor: **Chuen-Jong Tseng**, Chiayi Hsien (TW)

(73) Assignee: **Taiwan Shin Yeh Enterprise Co., Ltd.**,  
Chiayi Hsien (TW)

(\*\*) Term: **14 Years**

(21) Appl. No.: **29/244,095**

(22) Filed: **Dec. 5, 2005**

(51) **LOC (8) Cl.** ..... **06-06**

(52) **U.S. Cl.** ..... **D6/492; D6/510**

(58) **Field of Classification Search** ..... D6/432-448,  
D6/491, 492, 509-512, 553, 559, 561; D25/106,  
D25/111, 141, 157-159; 52/177-178; 312/100,  
312/204, 242-245; 428/600

See application file for complete search history.

(56) **References Cited**

**U.S. PATENT DOCUMENTS**

D95,158 S *	4/1935	Surerus	.....	D25/158
D181,432 S *	11/1957	Murray	.....	D25/157
D495,912 S *	9/2004	Schmidt et al.	.....	D6/561
D508,627 S *	8/2005	Schmidt et al.	.....	D6/510
D510,832 S *	10/2005	Schmidt et al.	.....	D6/561
D543,741 S *	6/2007	Gaska et al.	.....	D6/510
D544,259 S *	6/2007	Schmidt et al.	.....	D6/510

D546,598 S *	7/2007	Schmidt et al.	.....	D6/510
D549,499 S *	8/2007	Gaska et al.	.....	D6/510
D549,500 S *	8/2007	Gaska et al.	.....	D6/510
D549,501 S *	8/2007	Gaska et al.	.....	D6/510
D550,012 S *	9/2007	Schmidt et al.	.....	D6/561
2002/0018908 A1 *	2/2002	Smith et al.	.....	428/600

\* cited by examiner

*Primary Examiner*—Mimosa De

(74) *Attorney, Agent, or Firm*—Ladas & Parry LLP

(57) **CLAIM**

The ornamental design for pattern for cabinet door, as shown and described.

**DESCRIPTION**

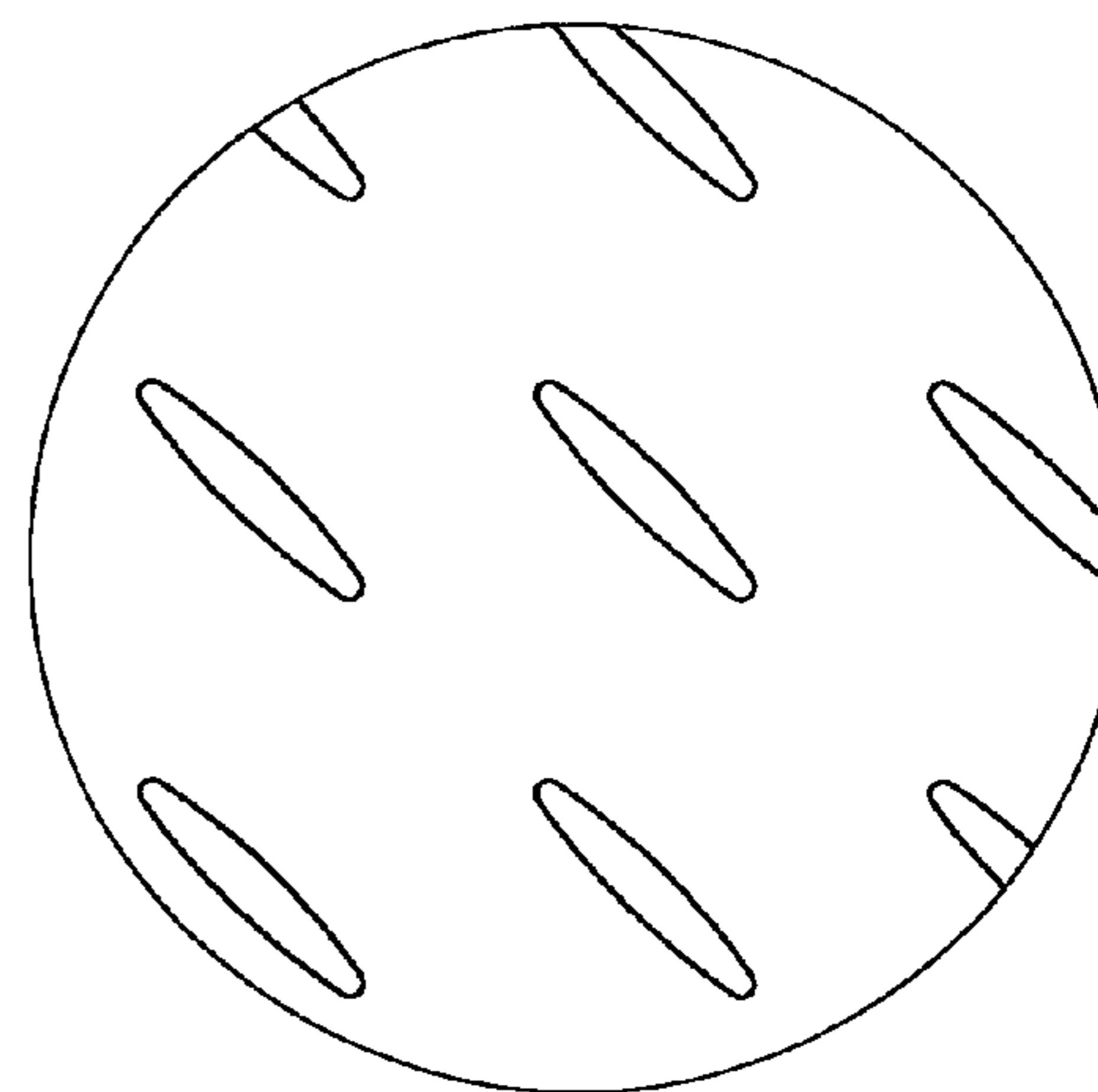
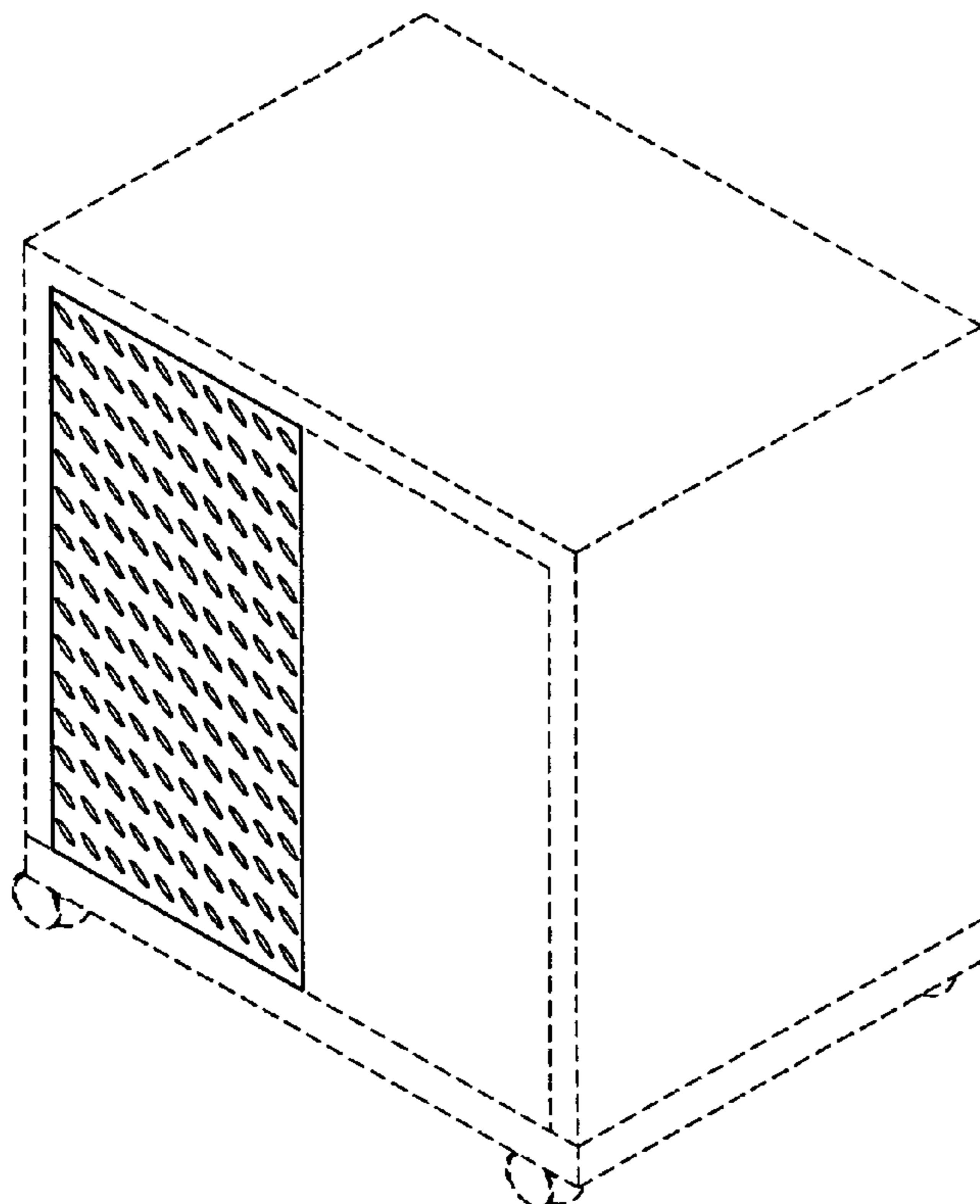
FIG. 1 is a left front perspective view of a cabinet having pattern for cabinet door showing my new design;

FIG. 2 is a front elevational view thereof. The ornamental design is not visible in a rear view, top plan view or bottom view; and,

FIG. 3 is an enlarged view of the pattern of the embodiment of FIG. 1.

The broken lines shown in the drawings are for illustrative purposes only and form no part of the claimed design.

**1 Claim, 3 Drawing Sheets**



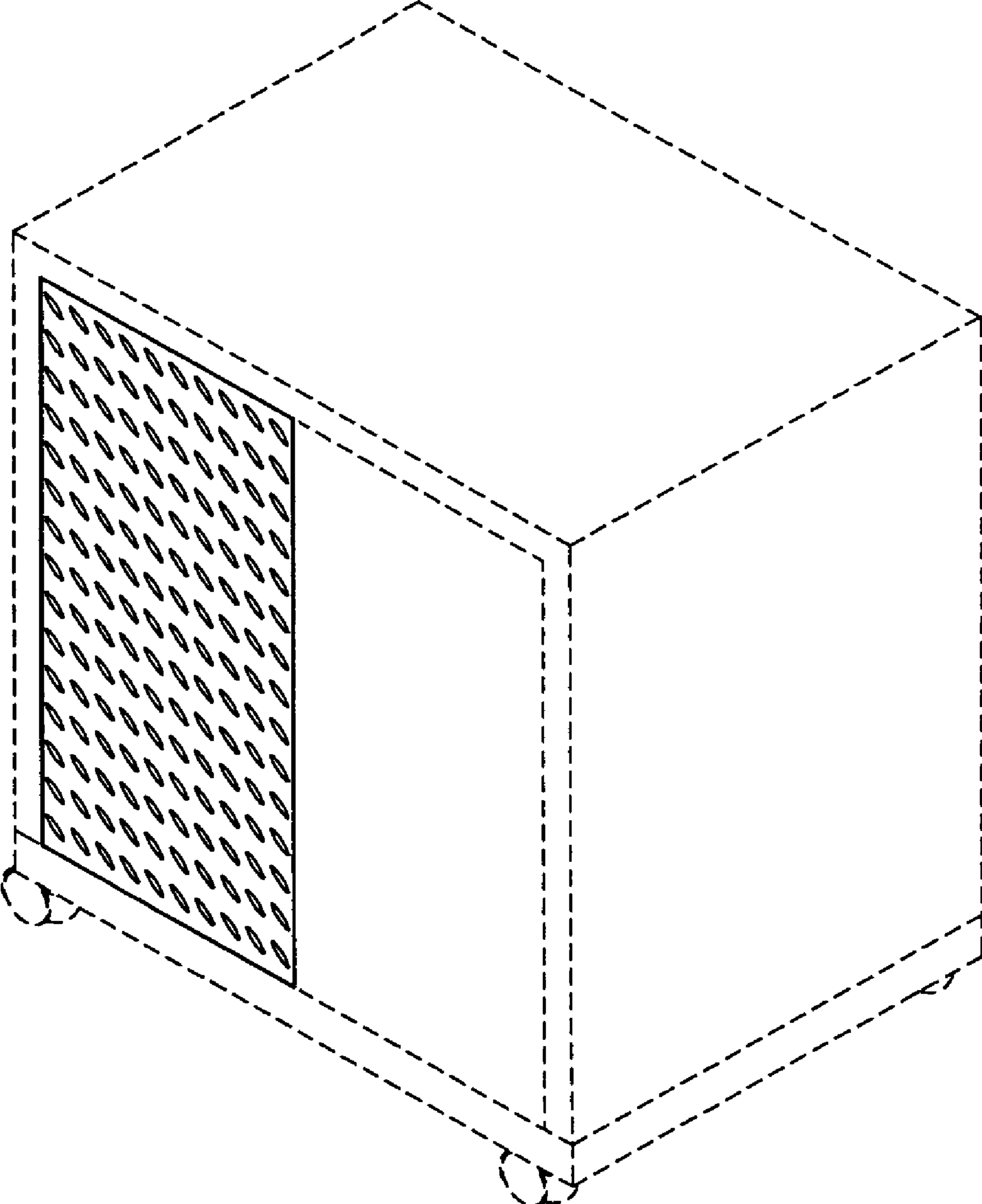


FIG. 1

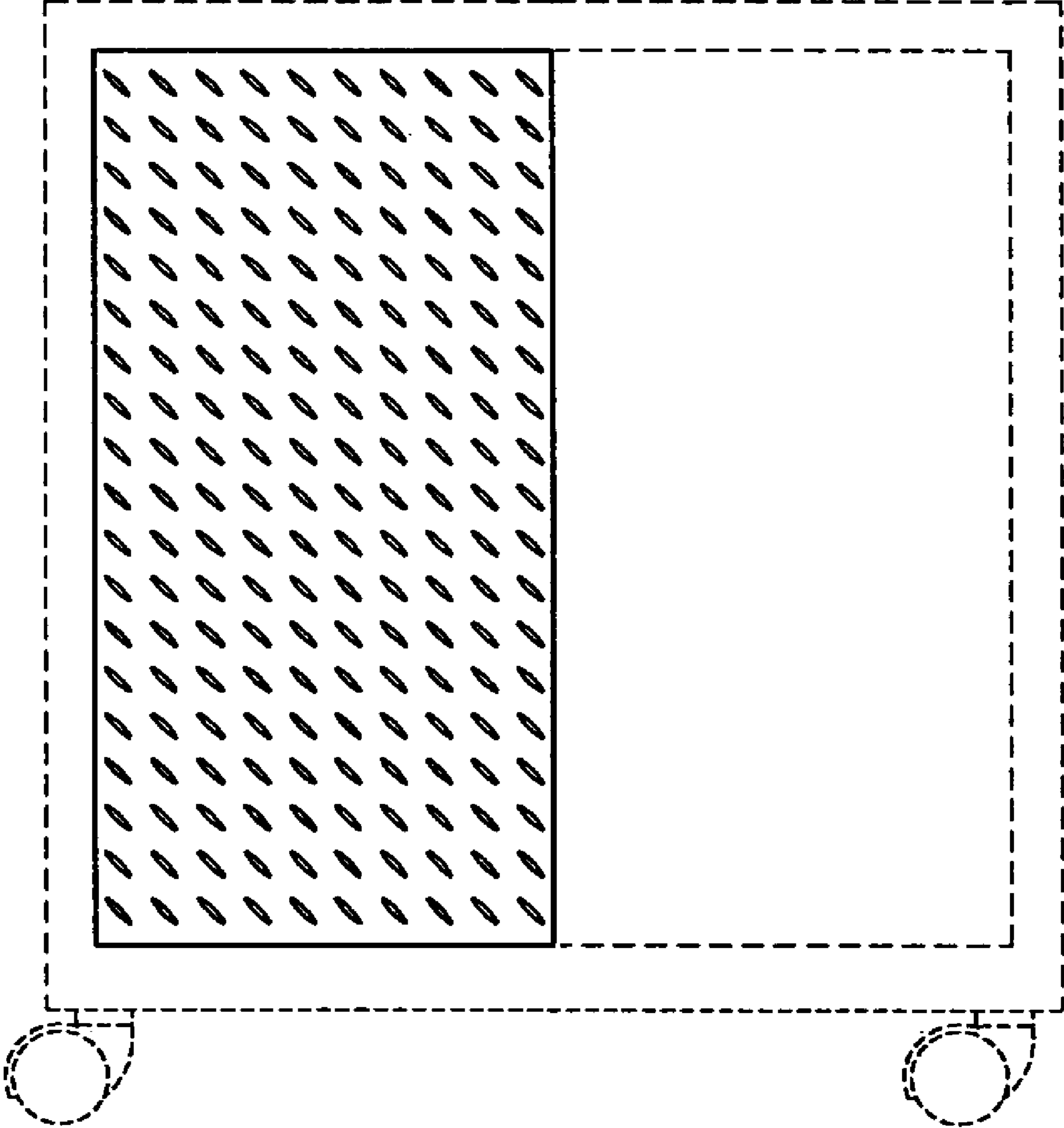


FIG. 2

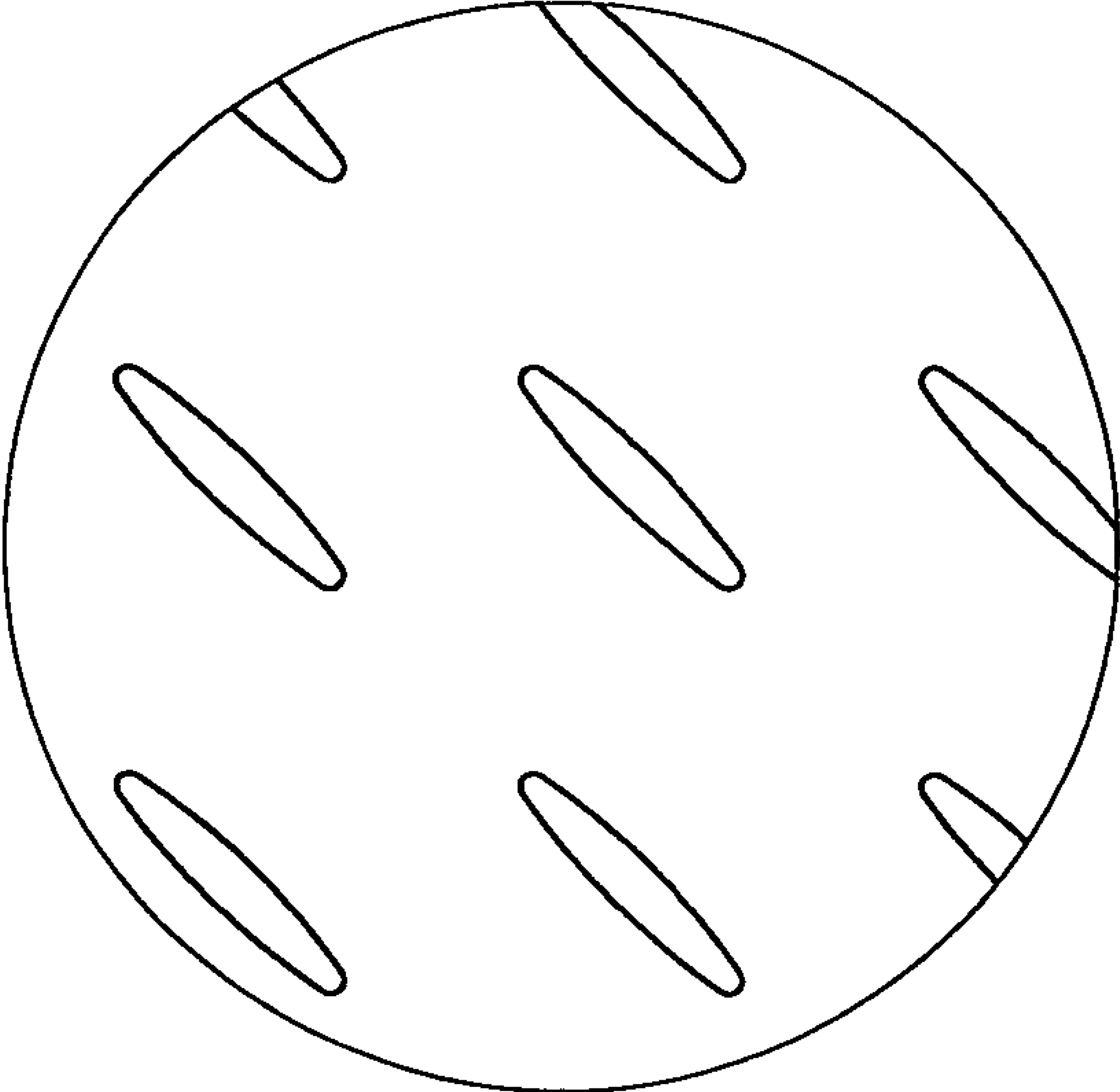


FIG. 3