

US00D560402S

(12) **United States Design Patent**  
**Lev**

(10) **Patent No.:** **US D560,402 S**  
(45) **Date of Patent:** **\*\* Jan. 29, 2008**

(54) **RACK OF SHELVES**

(75) Inventor: **Avraham Uri Lev**, Moshav Lachish  
(IL)

(73) Assignee: **Veliva Trapez Ltd**, Yavne (IL)

(\*\*) Term: **14 Years**

(21) Appl. No.: **29/269,934**

(22) Filed: **Dec. 12, 2006**

(30) **Foreign Application Priority Data**

Jun. 12, 2006 (IL) ..... 42596

(51) **LOC (8) Cl.** ..... **06-04**

(52) **U.S. Cl.** ..... **D6/479**

(58) **Field of Classification Search** ..... D6/396,  
D6/449, 466-469, 477-479, 429, 431, 474;  
108/11, 13, 59-61, 93, 96, 47; 211/85.26,  
211/134-135, 186-187, 153, 207  
See application file for complete search history.

(56) **References Cited**

**U.S. PATENT DOCUMENTS**

D243,891	S	*	4/1977	Snyder	.....	D6/431
D269,754	S	*	7/1983	Kates	.....	D6/429
4,620,489	A	*	11/1986	Albano	.....	108/105
4,776,472	A	*	10/1988	Rosen	.....	211/187
4,785,946	A	*	11/1988	Sorensen	.....	211/187
5,035,334	A	*	7/1991	Messick, Jr.	.....	211/134
D364,763	S	*	12/1995	Sielaff	.....	D6/479

D401,084	S	*	11/1998	Martin	.....	D6/474
D427,457	S	*	7/2000	Heiny et al.	.....	D6/477
D431,937	S	*	10/2000	Heiny et al.	.....	D6/479
D433,846	S	*	11/2000	Chang	.....	D6/474
D492,862	S	*	7/2004	Gay, II	.....	D6/479
D521,276	S	*	5/2006	Lenger	.....	D6/474

**OTHER PUBLICATIONS**

Veliva Winning Retail Solutions, <http://www.veliva.com>, Mul\_T Stand.\*

\* cited by examiner

*Primary Examiner*—Elizabeth A. Albert

*Assistant Examiner*—Kelley A. Donnelly

(74) *Attorney, Agent, or Firm*—The Nath Law Group; Jerald L. Meyer; Derek Richmond

(57) **CLAIM**

The ornamental design for a rack of shelves, as shown and described.

**DESCRIPTION**

FIG. 1 is a perspective view of a rack of shelves;

FIG. 2 is a front view of the rack of shelves of FIG. 1;

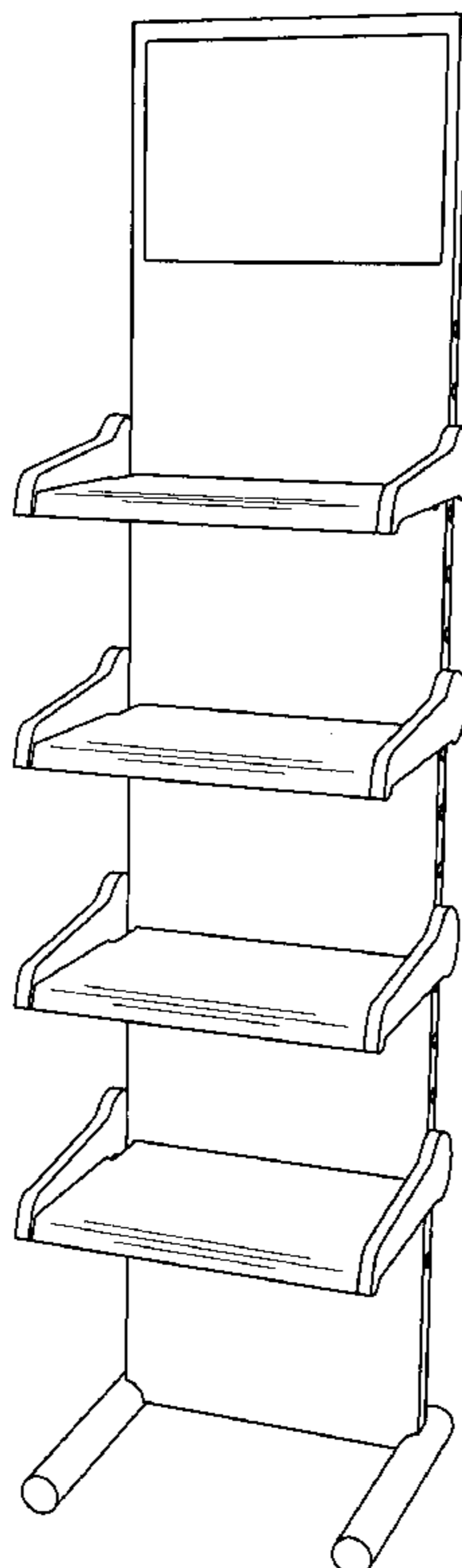
FIG. 3 is a rear view of the rack of shelves of FIG. 1;

FIG. 4 is a top view of the rack of shelves of FIG. 1;

FIG. 5 is a bottom view of the rack of shelves of FIG. 1; and,

FIG. 6 is a right side view of the rack of shelves of FIG. 1, the left side view being a mirror image of the left side view.

**1 Claim, 3 Drawing Sheets**



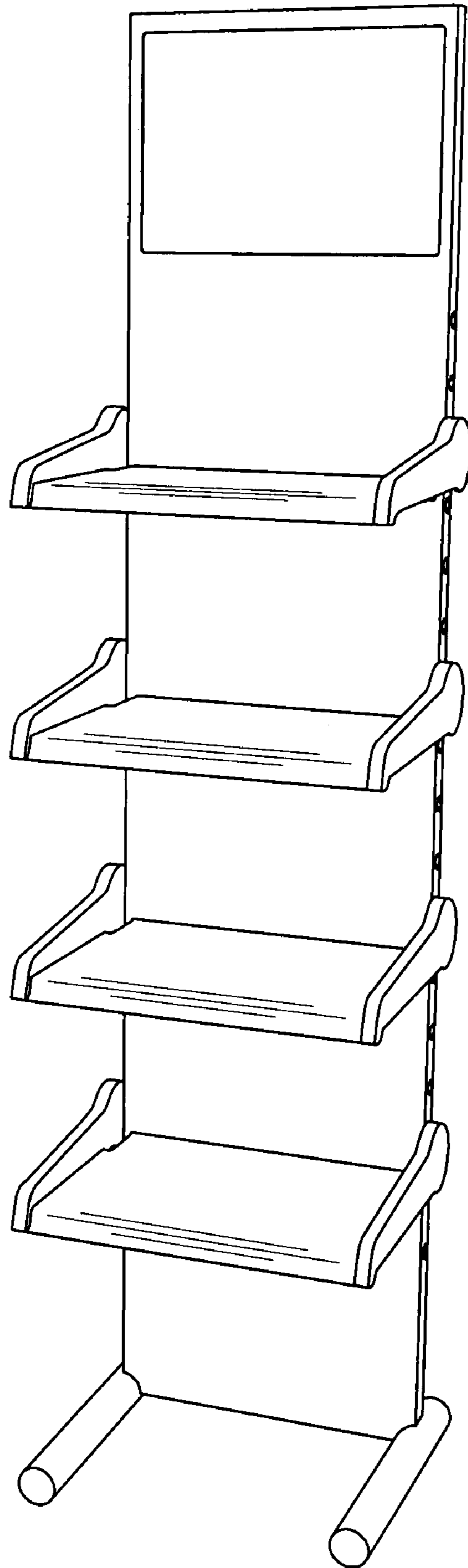


FIG. 1

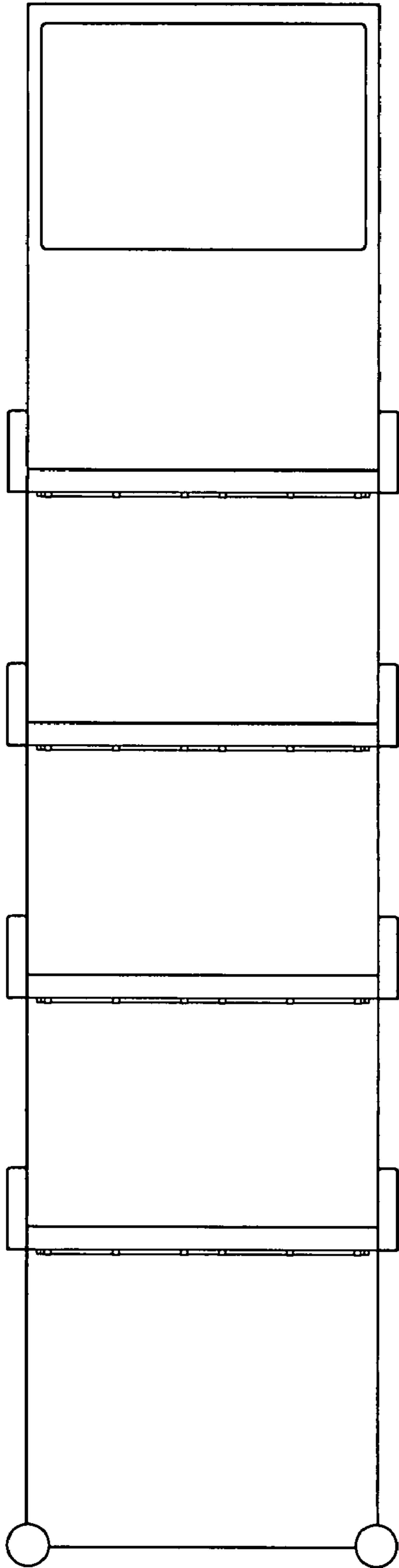


FIG. 2

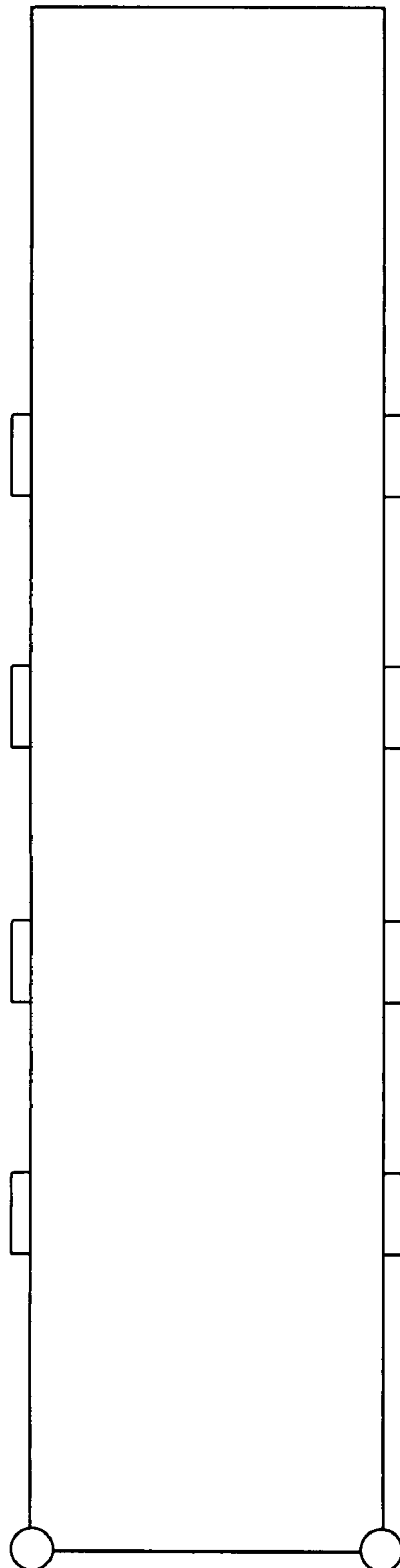


FIG. 3

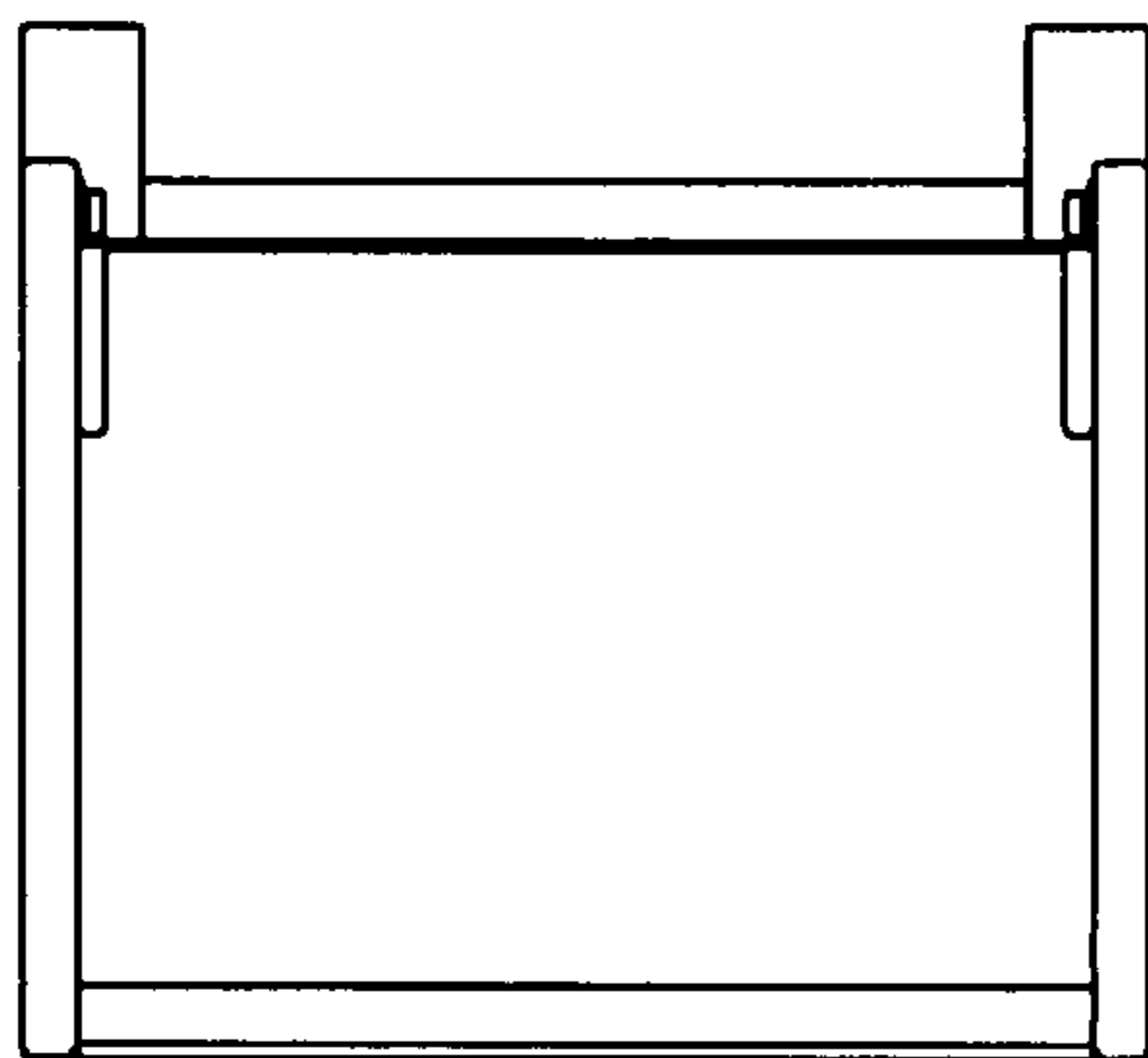


FIG. 4

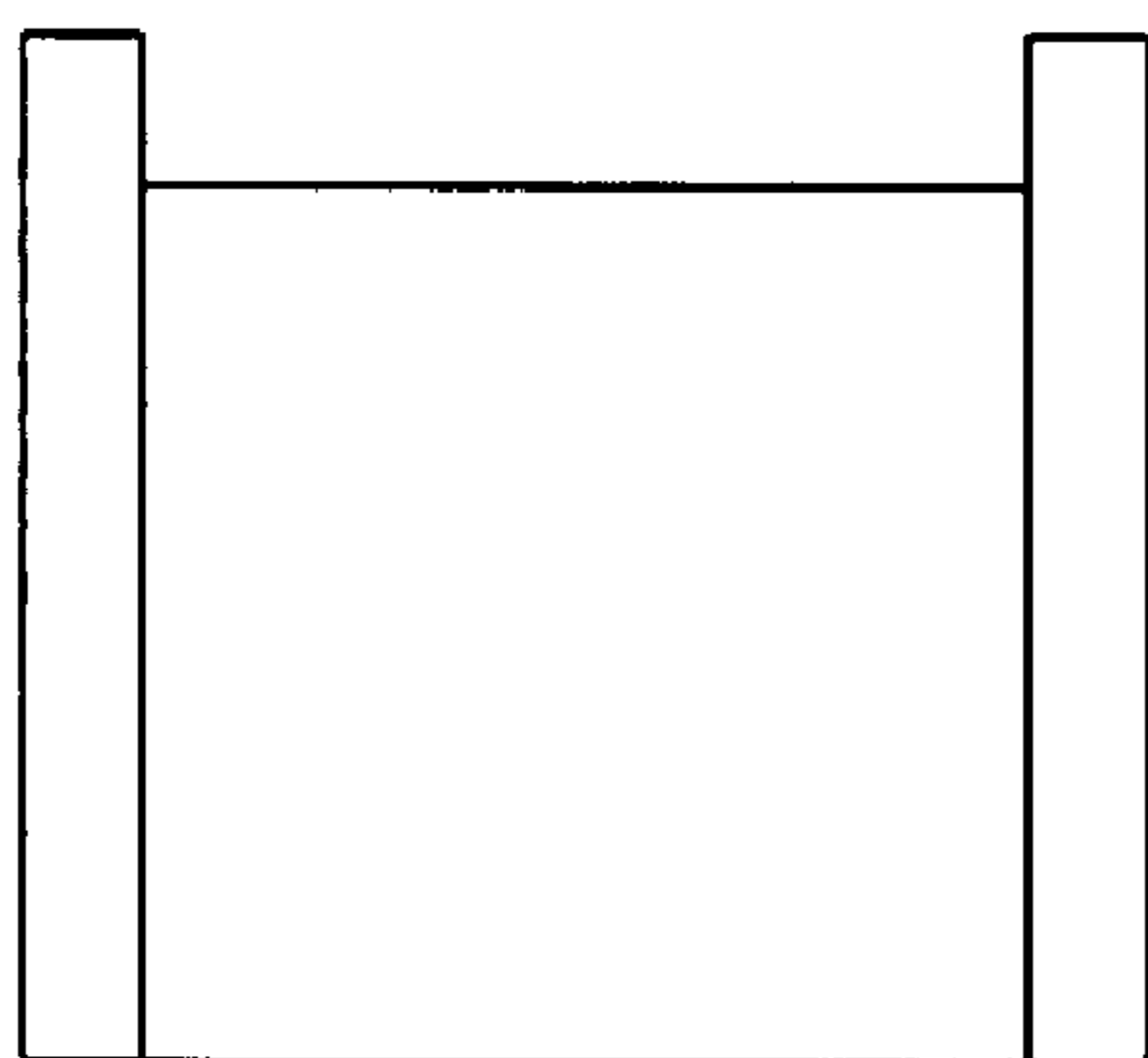


FIG. 5

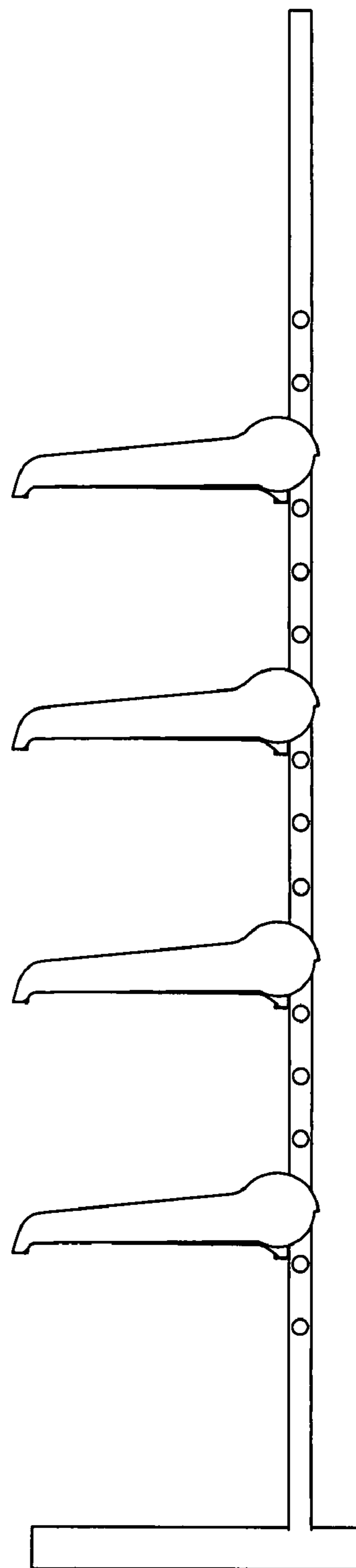


FIG. 6