

US00D560401S

(12) **United States Design Patent**
Hoglan et al.

(10) **Patent No.:** **US D560,401 S**
(45) **Date of Patent:** **** Jan. 29, 2008**

(54) **WALL MOUNTED SHELF SYSTEM FOR AUDIO/VISUAL EQUIPMENT**

D485,708 S * 1/2004 Robertson D6/474
D524,578 S * 7/2006 Stenhouse et al. D6/479
D539,566 S * 4/2007 Anderson D6/474

(75) Inventors: **Korry Hoglan**, Phoenix, AZ (US);
Zachary Eymann, Phoenix, AZ (US);
Brett Stenhouse, Phoenix, AZ (US)

* cited by examiner

(73) Assignee: **Omnimount Systems, Inc.**, Phoenix, AZ (US)

Primary Examiner—Elizabeth A. Albert
Assistant Examiner—Kelley A. Donnelly
(74) *Attorney, Agent, or Firm*—Hogan & Hartson LLP

(**) Term: **14 Years**

(57) **CLAIM**

(21) Appl. No.: **29/263,822**

The ornamental design for a wall mounted shelf system for audio/visual equipment, as shown and described.

(22) Filed: **Jul. 28, 2006**

DESCRIPTION

(51) **LOC (8) Cl.** **06-04**

FIG. 1 is a top, right isometric view of a wall mounted shelf system for audio/visual equipment showing our design.

(52) **U.S. Cl.** **D6/479**

FIG. 2 is a front elevational view thereof.

(58) **Field of Classification Search** D6/477-479,
D6/460-461, 468, 474, 509; 312/7.2, 9.1;
108/59, 96, 91-92; 211/40, 41.12, 42, 49,
211/50, 85.2, 90.04, 187

FIG. 3 is a rear elevational view thereof.

See application file for complete search history.

FIG. 4 is a right-side elevational view thereof; the left-side view is a mirror image of FIG. 4.

(56) **References Cited**

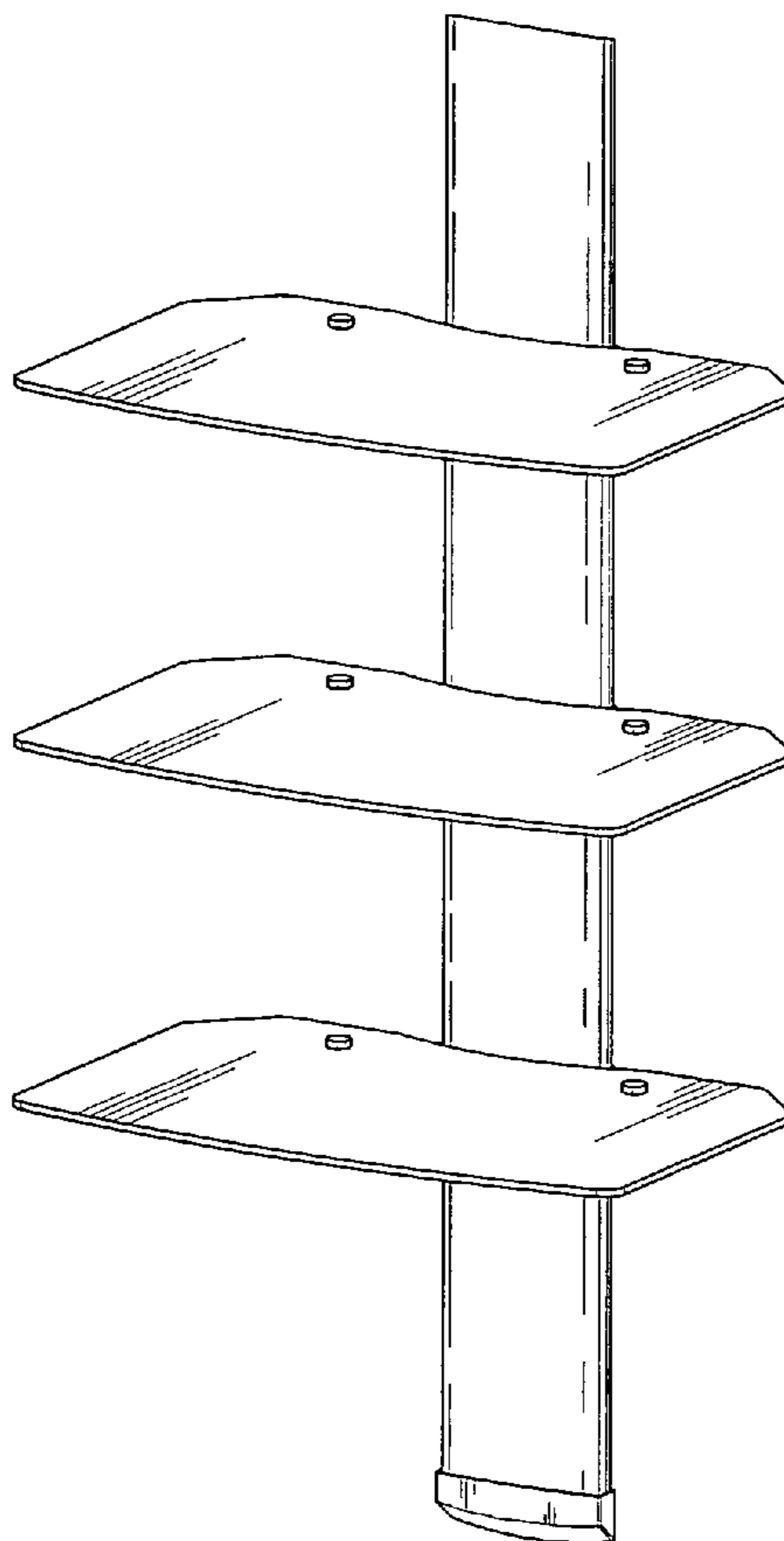
FIG. 5 is a top plan view thereof; and,

U.S. PATENT DOCUMENTS

FIG. 6 is a bottom plan view thereof.

D469,980 S * 2/2003 Pressoir D6/426

1 Claim, 3 Drawing Sheets



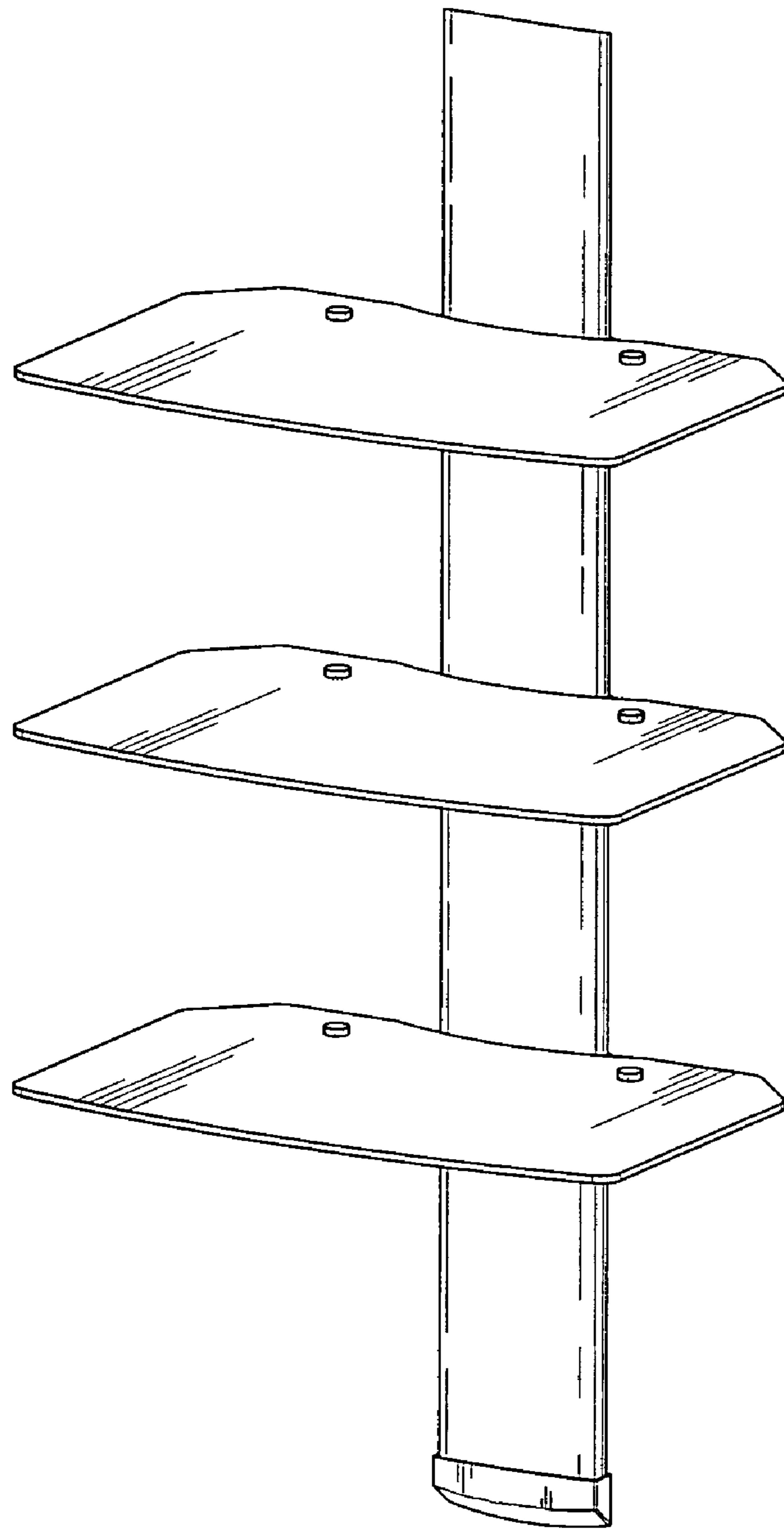


Fig. 1

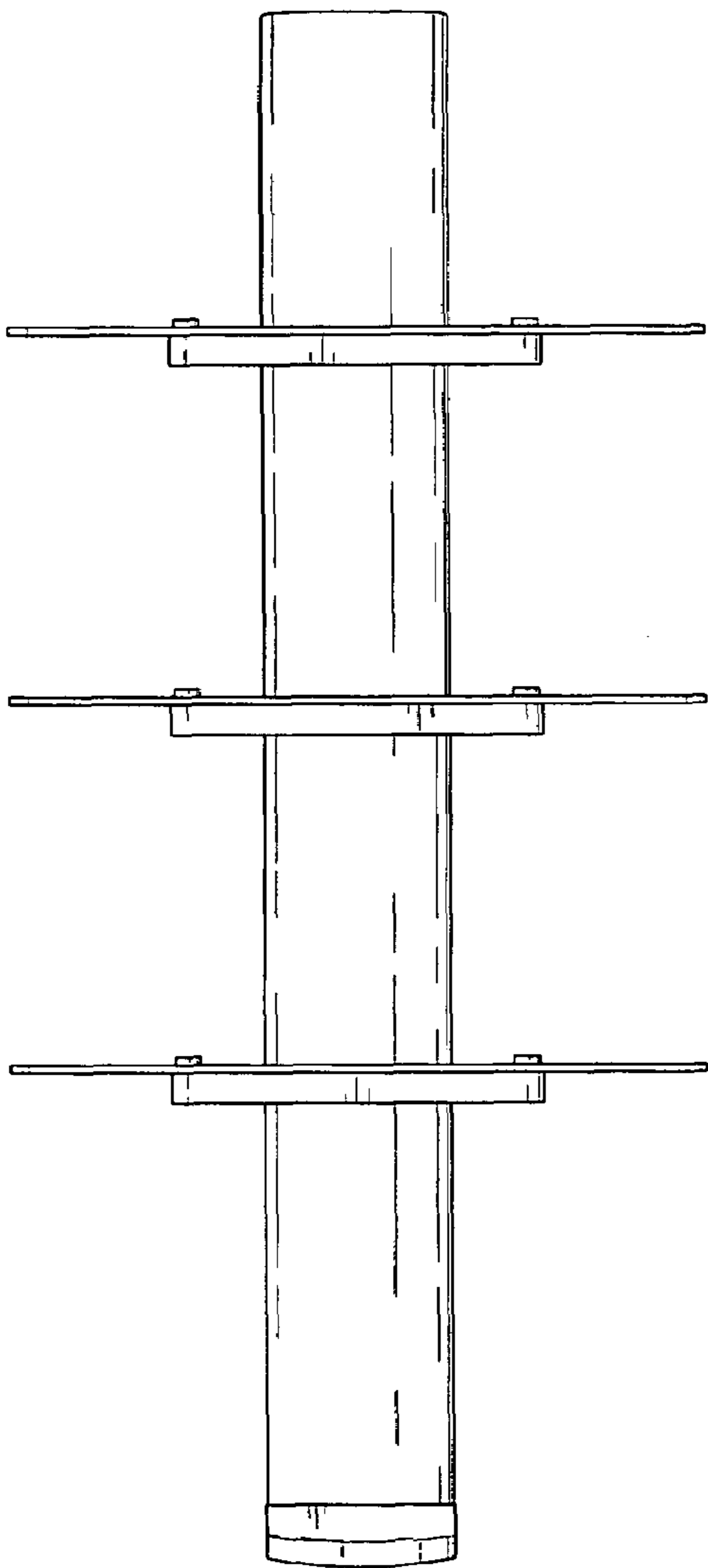


Fig. 2

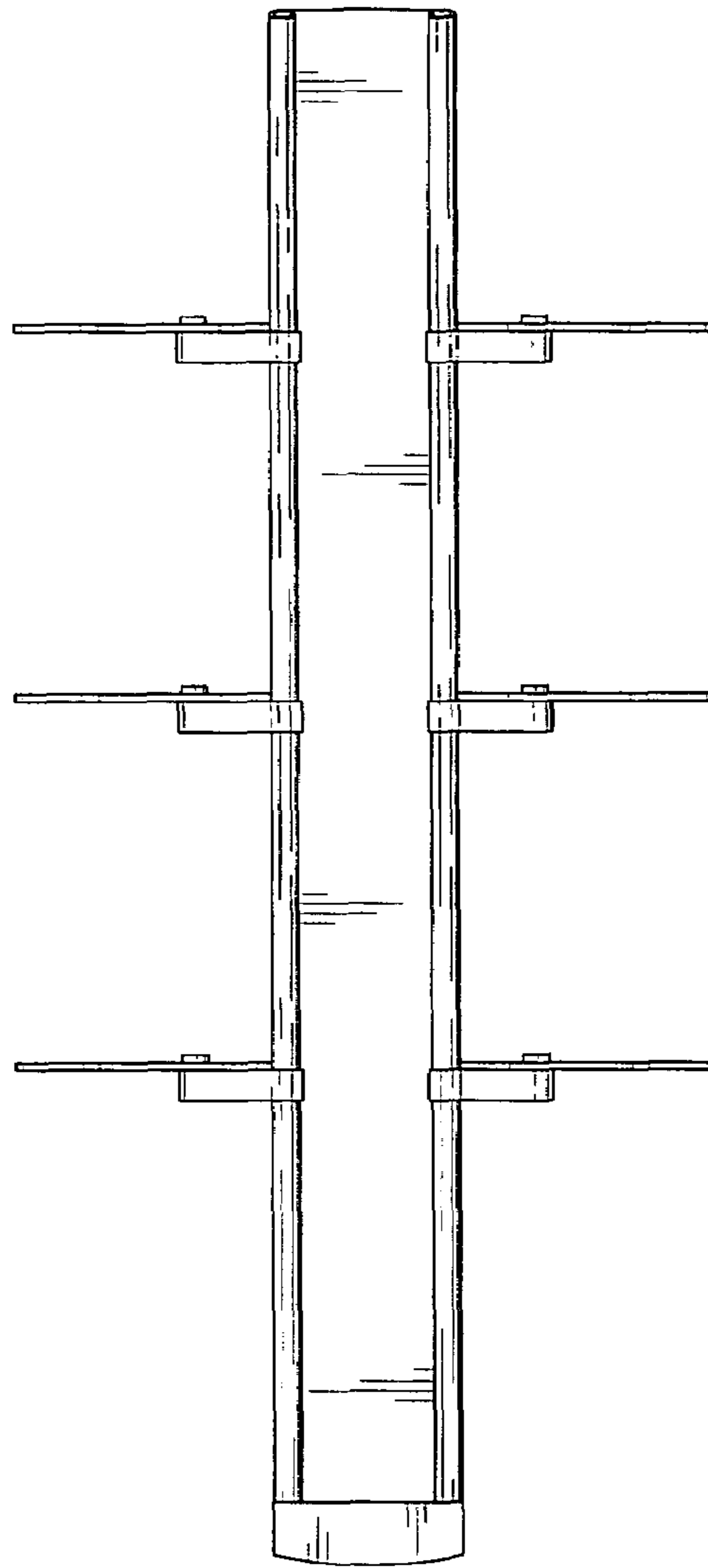


Fig. 3

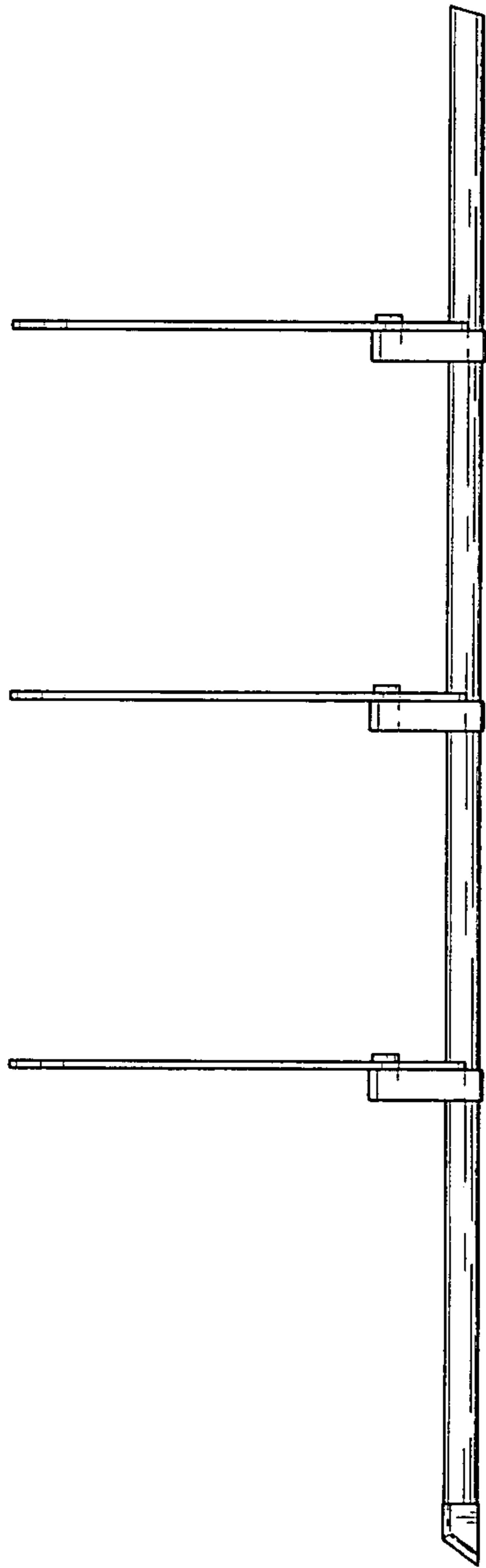


Fig. 4

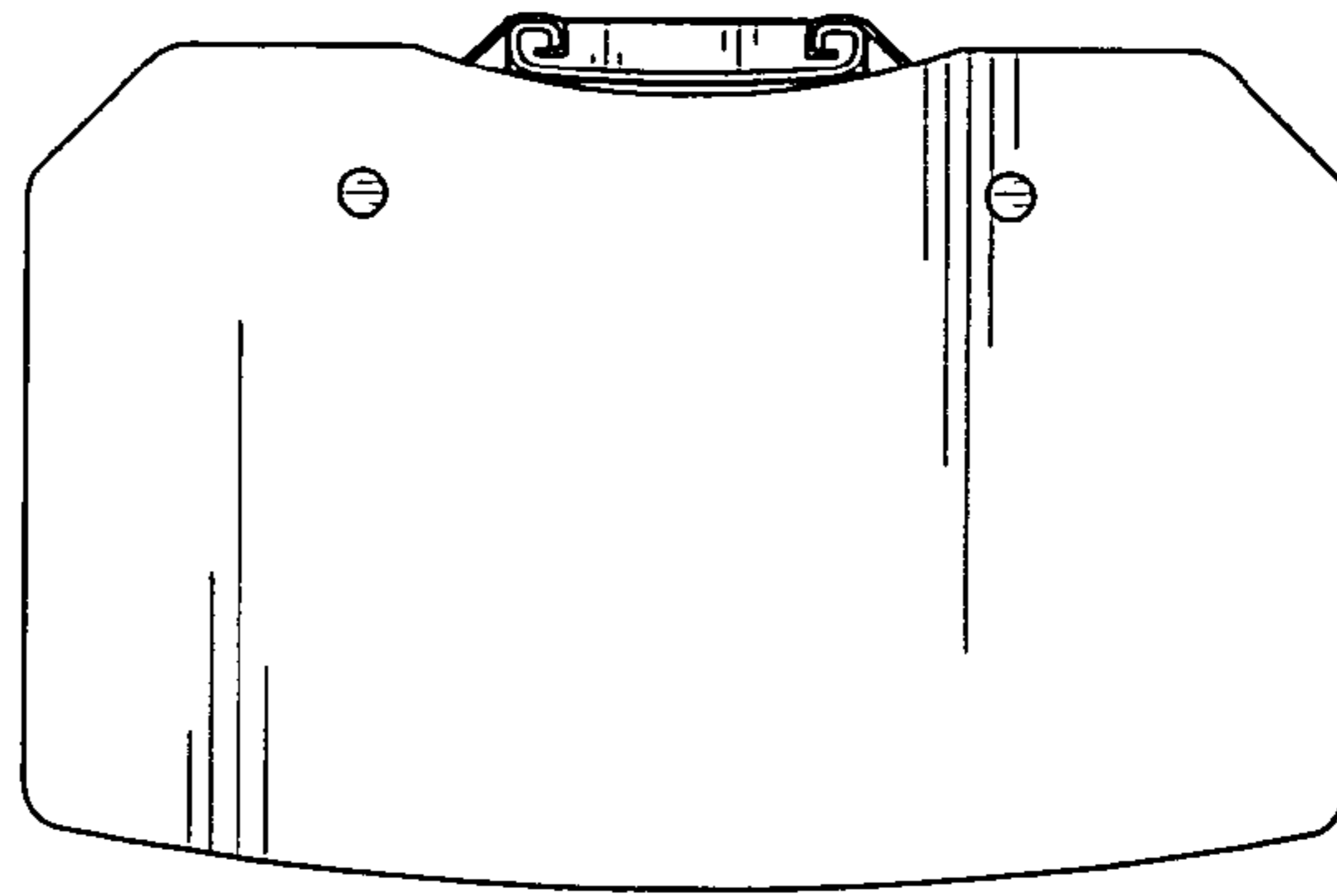


Fig. 5

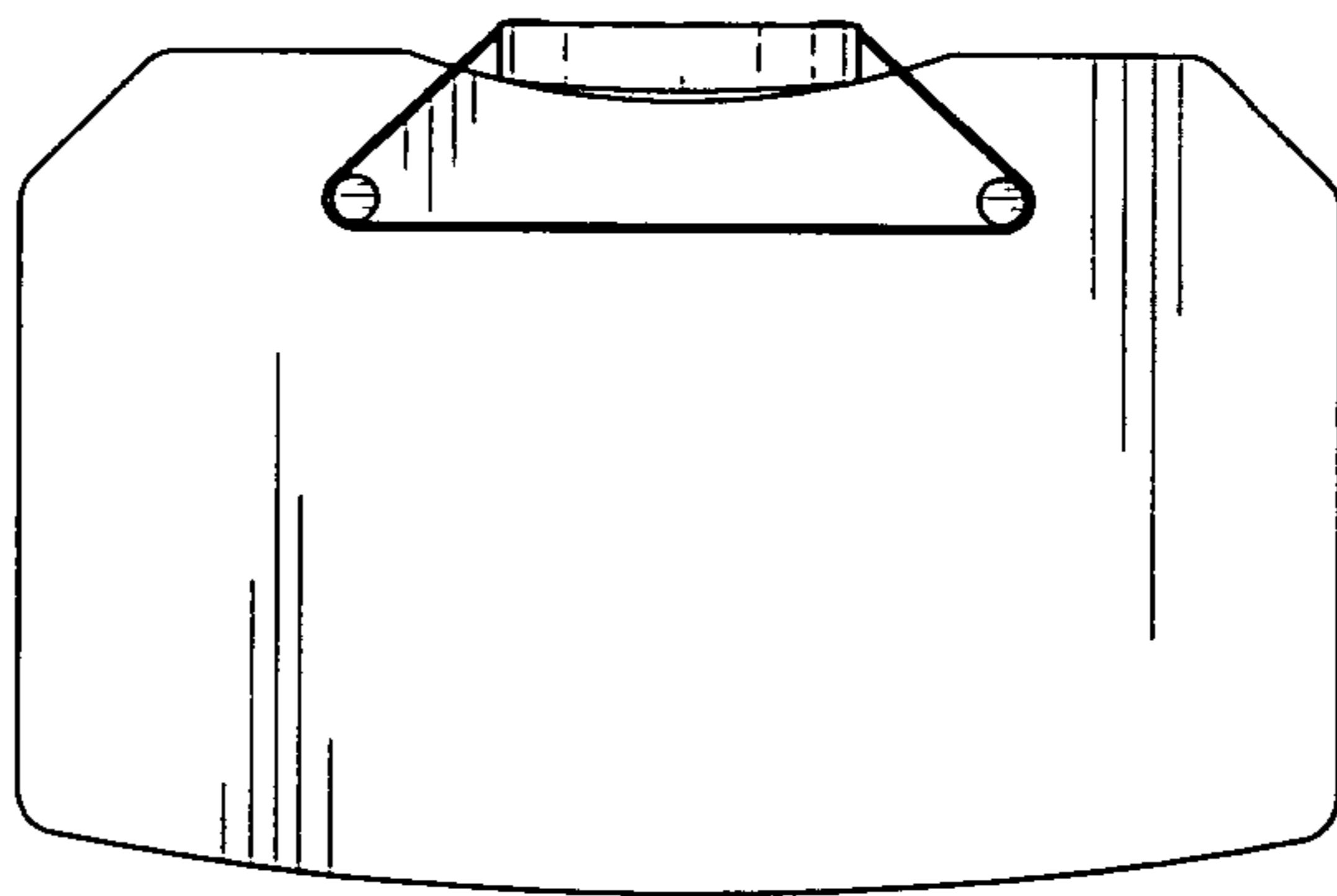


Fig. 6