



US00D560400S

(12) **United States Design Patent**  
**Austin et al.**

(10) **Patent No.:** **US D560,400 S**  
(45) **Date of Patent:** **\*\* Jan. 29, 2008**

(54) **CUBE SHELF**

RE38,836 E \* 10/2005 Krause et al. .... 312/111  
6,988,628 B2 \* 1/2006 Krieger et al. .... 211/86.01

(75) Inventors: **Douglas M. Austin**, Winston-Salem,  
NC (US); **Earl David Forrest**,  
Asheboro, NC (US)

\* cited by examiner

*Primary Examiner*—Elizabeth A. Albert  
*Assistant Examiner*—Kelley A. Donnelly

(73) Assignee: **Liberty Hardware Mfg. Corp.**,  
Winston-Salem, NC (US)

(74) *Attorney, Agent, or Firm*—Edgar A. Zarins; Lloyd D.  
Doigan

(\*\*) Term: **14 Years**

(57) **CLAIM**

(21) Appl. No.: **29/288,536**

The ornamental design for a cube shelf, as shown and  
described.

(22) Filed: **Jun. 14, 2007**

**DESCRIPTION**

(51) **LOC (8) Cl.** ..... **06-04**

FIG. 1 is a perspective view of a cube shelf showing our new  
design;

(52) **U.S. Cl.** ..... **D6/477**

FIG. 2 is a front elevational view thereof; and

(58) **Field of Classification Search** ..... D6/477-479;  
211/42, 188; 108/59; 312/107-108, 257-258,  
312/198

FIG. 3 is a right side view thereof, the opposite side being  
a mirror image of the side shown.

See application file for complete search history.

FIG. 4 is a perspective view of a second embodiment of the  
cube shelf of FIG. 1;

(56) **References Cited**

FIG. 5 is a front elevational view thereof; and,

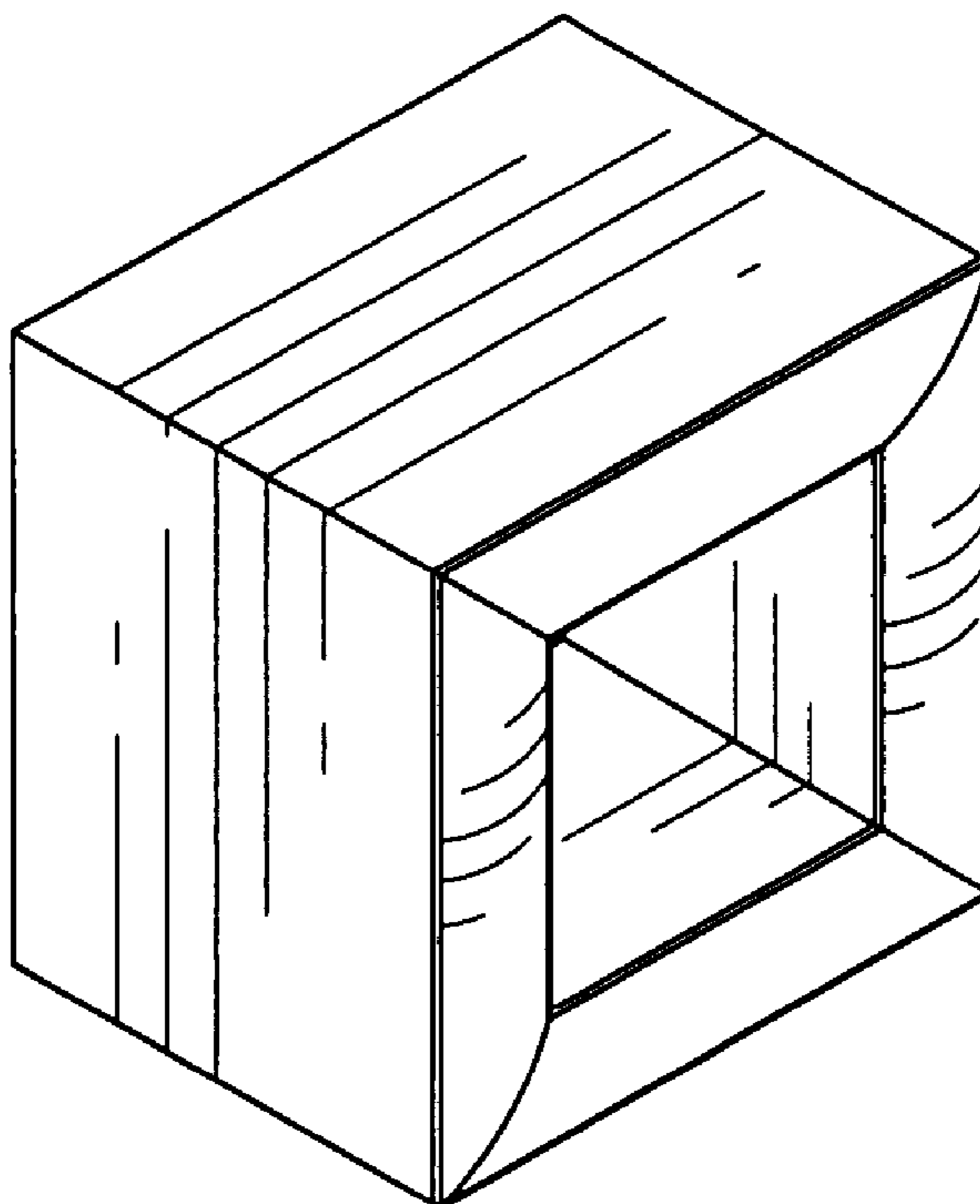
**U.S. PATENT DOCUMENTS**

FIG. 6 is right side view thereof; the opposite side being a  
mirror image of the side shown.

D185,509 S *	5/1959	Pedersen	.....	D6/301
3,403,323 A *	9/1968	Wanlass	.....	323/250
3,774,332 A *	11/1973	Schneider	.....	40/720
4,258,960 A *	3/1981	Harris	.....	384/297
D286,707 S *	11/1986	Summers	.....	D6/301
5,969,952 A *	10/1999	Hayashi et al.	.....	361/774
D416,156 S *	11/1999	Mutti	.....	D6/559
D505,746 S *	5/2005	Chen	.....	D27/141

The broken line showing the inside of the cube shelf is  
included for the purpose of illustrating environment and  
forms no part of the claimed design.

**1 Claim, 2 Drawing Sheets**



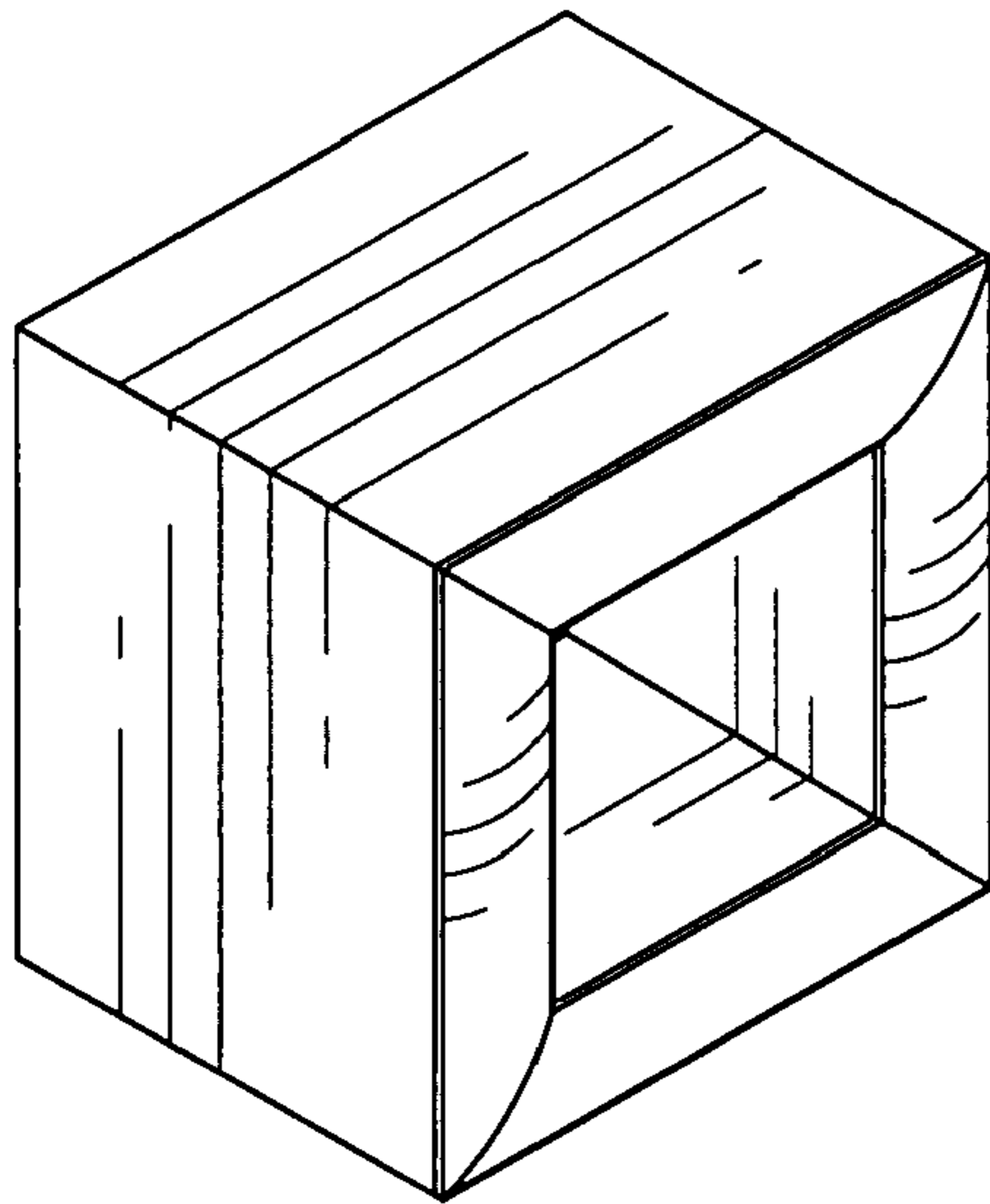


Fig-1

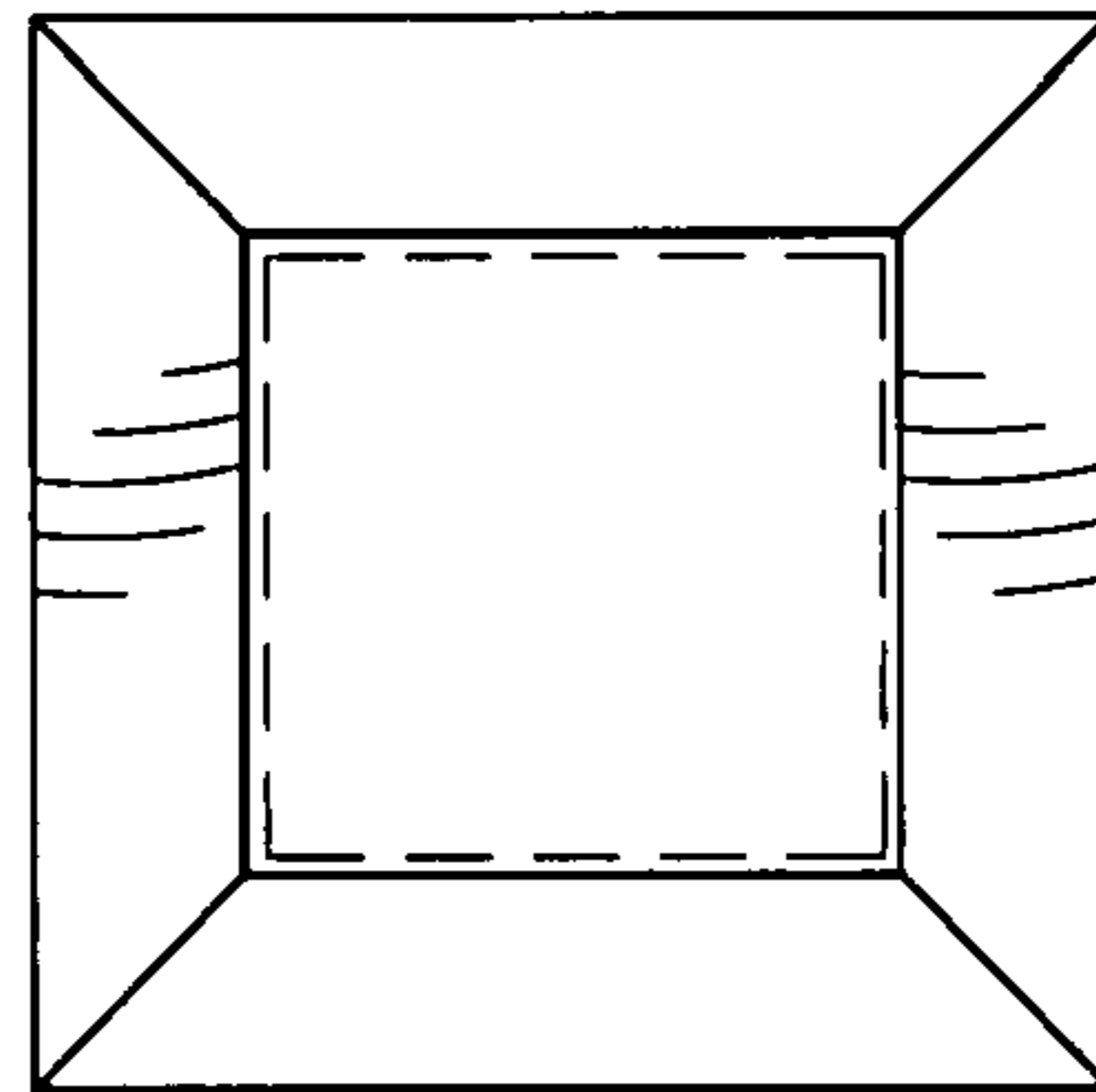


Fig-2

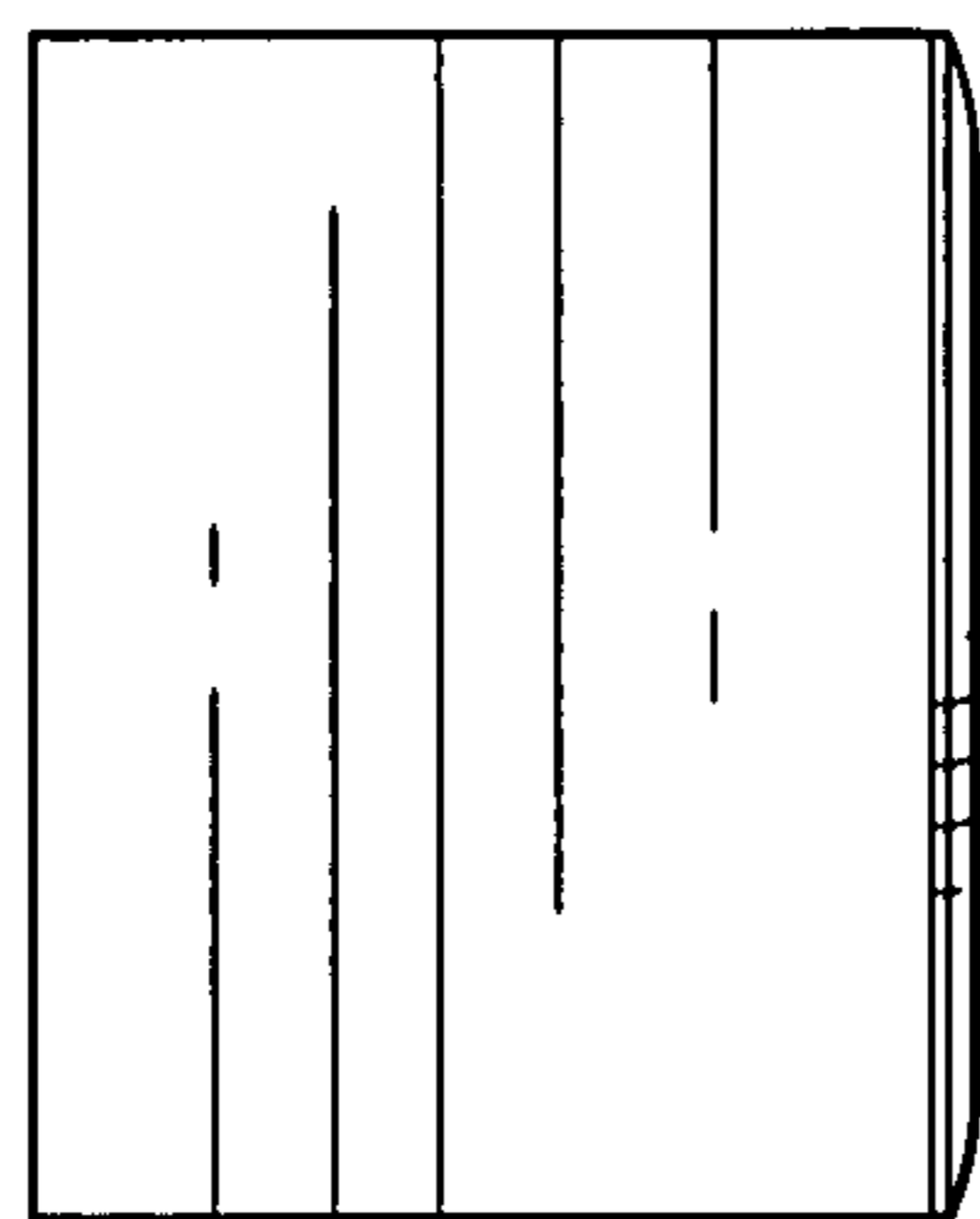


Fig-3

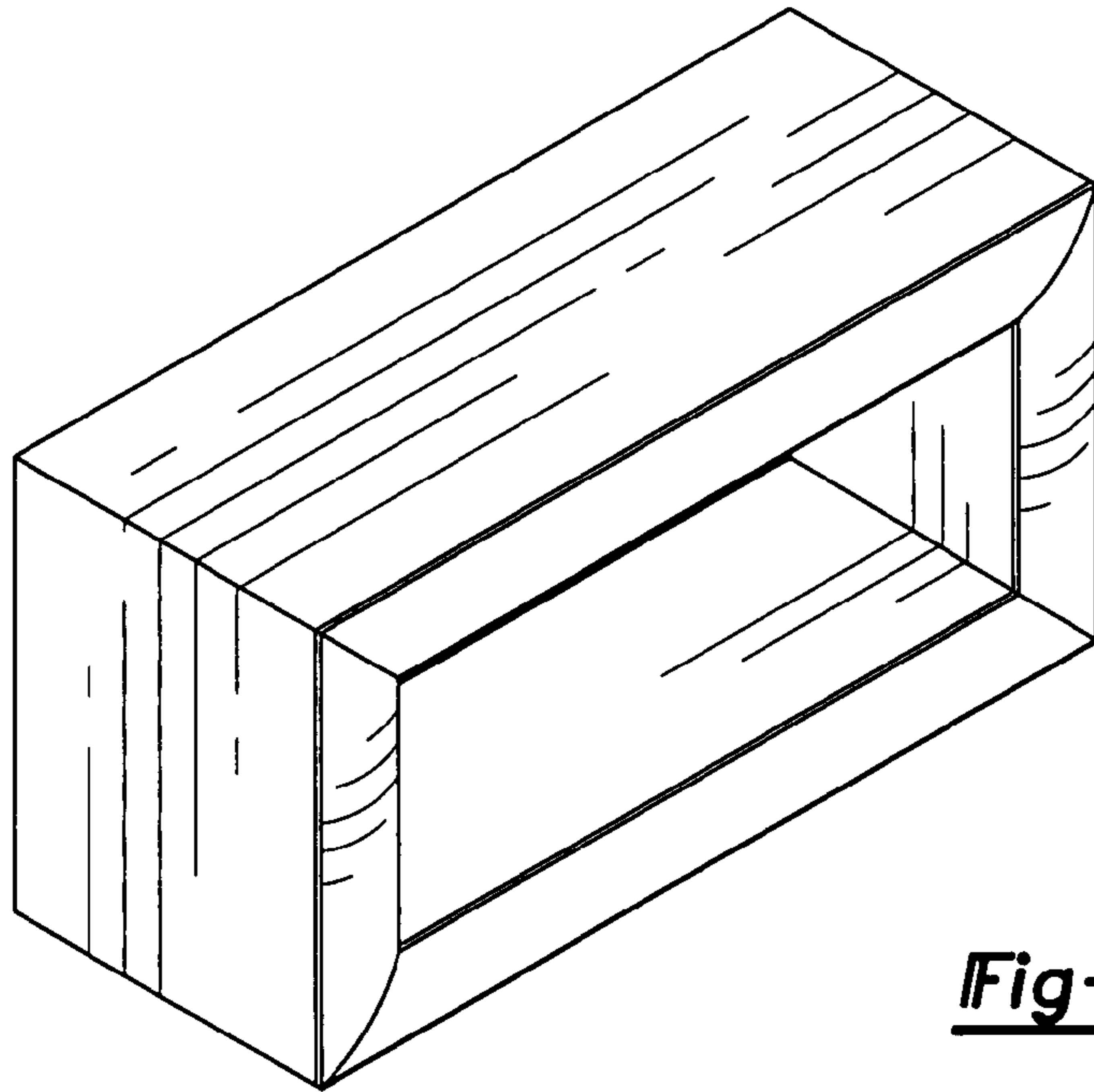


Fig-4

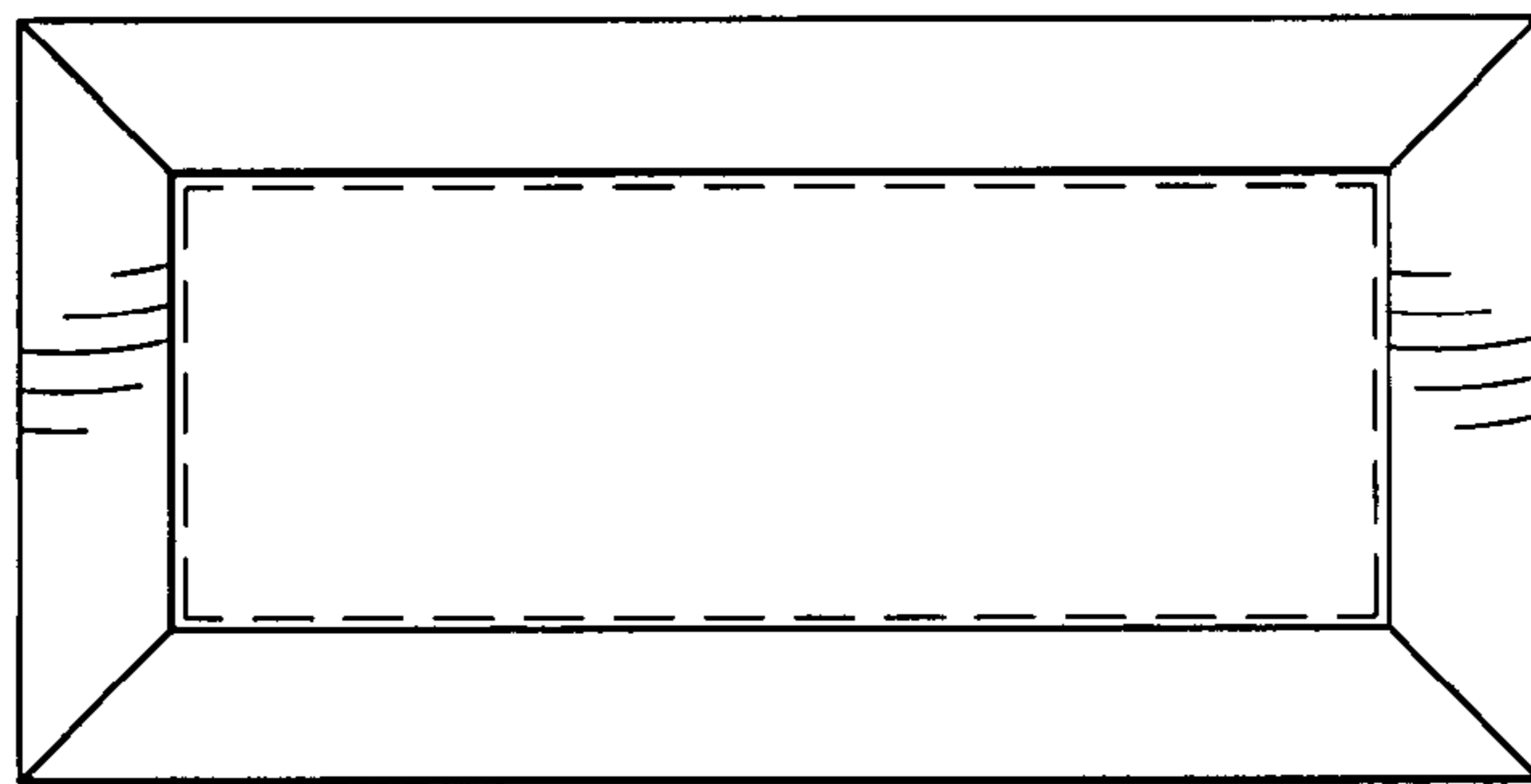


Fig-5

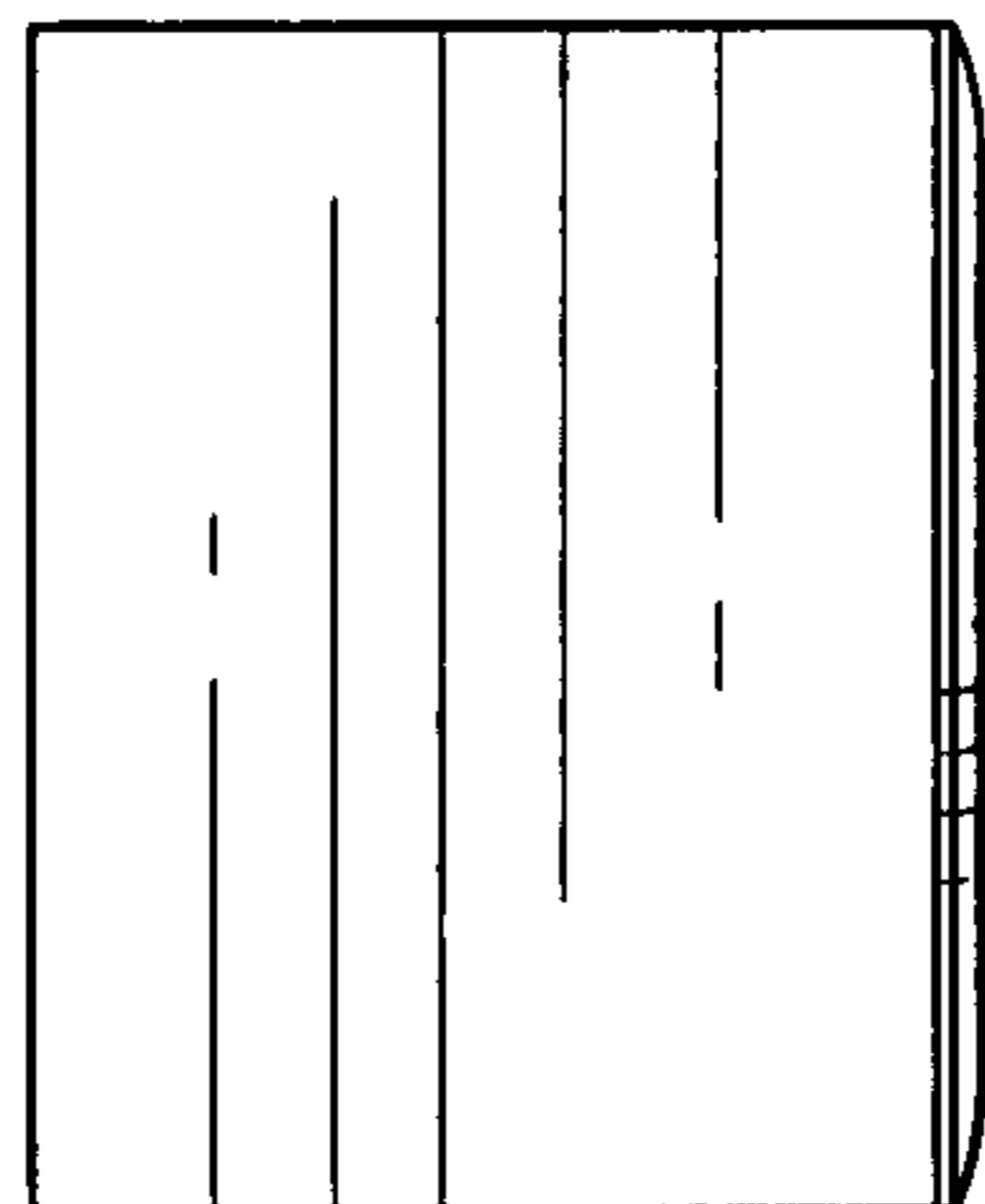


Fig-6