

US00D560398S

(12) **United States Design Patent**  
**Lee**

(10) **Patent No.:** **US D560,398 S**  
(45) **Date of Patent:** **\*\* Jan. 29, 2008**

(54) **TABLE**

D465,356 S \* 11/2002 Muller ..... D6/477  
D491,750 S \* 6/2004 Bertoncini ..... D6/474  
D539,564 S \* 4/2007 Edison et al. .... D6/474

(75) Inventor: **Rick Chang Lee**, San Francisco, CA  
(US)

\* cited by examiner

(73) Assignee: **Elite Manufacturing Corp.**, Santa Fe  
Springs, CA (US)

*Primary Examiner*—Elizabeth A. Albert  
*Assistant Examiner*—Kelley A. Donnelly

(\*\*) Term: **14 Years**

(57) **CLAIM**

(21) Appl. No.: **29/276,882**

The ornamental design for a table, as shown and described.

(22) Filed: **Feb. 8, 2007**

**DESCRIPTION**

(51) **LOC (8) Cl.** ..... **06-04**

A portion of the disclosure of this patent document contains material which is subject to copyright protection. This patent document may show and/or describe matter which is or may become trade dress of the owner. The copyright and trade dress owner has no objection to the facsimile reproduction by anyone of the patent disclosure as it appears in the Patent and Trademark Office patent files or records, but otherwise reserves all copyright and trade dress rights whatsoever.

(52) **U.S. Cl.** ..... **D6/474**

(58) **Field of Classification Search** ..... D6/474,  
D6/479, 483, 487, 480, 484, 477, 449, 486–488,  
D6/478, 455; 108/150, 153, 156, 161, 63–65,  
108/92

See application file for complete search history.

The nature and intended use is as a table.

(56) **References Cited**

**U.S. PATENT DOCUMENTS**

D254,825 S \* 4/1980 Crespi ..... D6/474  
D274,577 S \* 7/1984 Berry, Jr. .... D6/474  
D284,336 S \* 6/1986 Berry, Jr. .... D6/430  
D287,796 S \* 1/1987 Evans ..... D6/483  
D287,797 S \* 1/1987 Evans ..... D6/483  
D290,203 S \* 6/1987 Berry, Jr. .... D6/479  
D290,561 S \* 6/1987 Becker ..... D6/455  
D349,416 S \* 8/1994 Shimogori ..... D6/482  
D382,422 S \* 8/1997 Muller ..... D6/477

FIG. 1 is a perspective view of a table.

FIG. 2 is a front elevational view of the table.

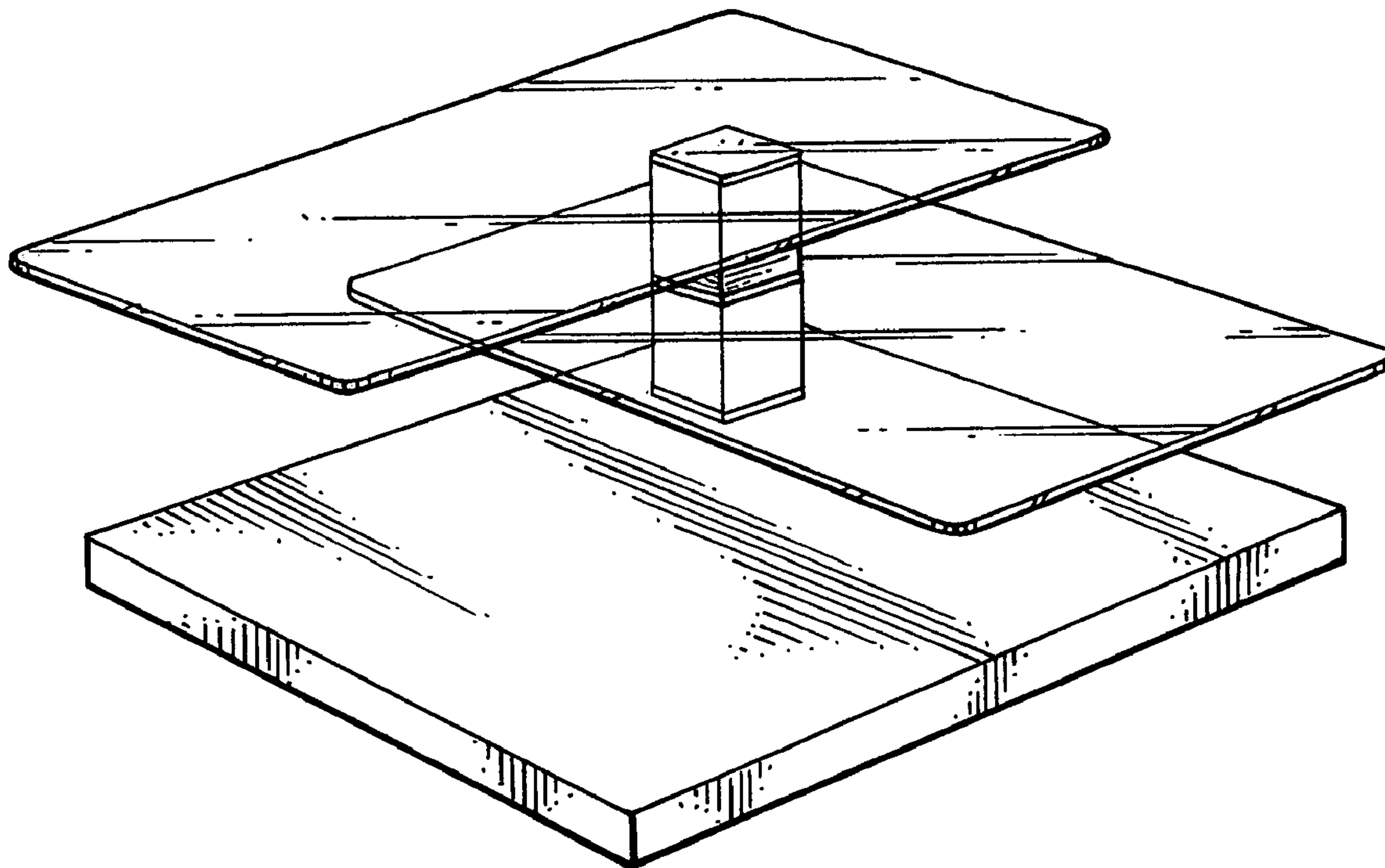
FIG. 3 is a right side elevational view of the table.

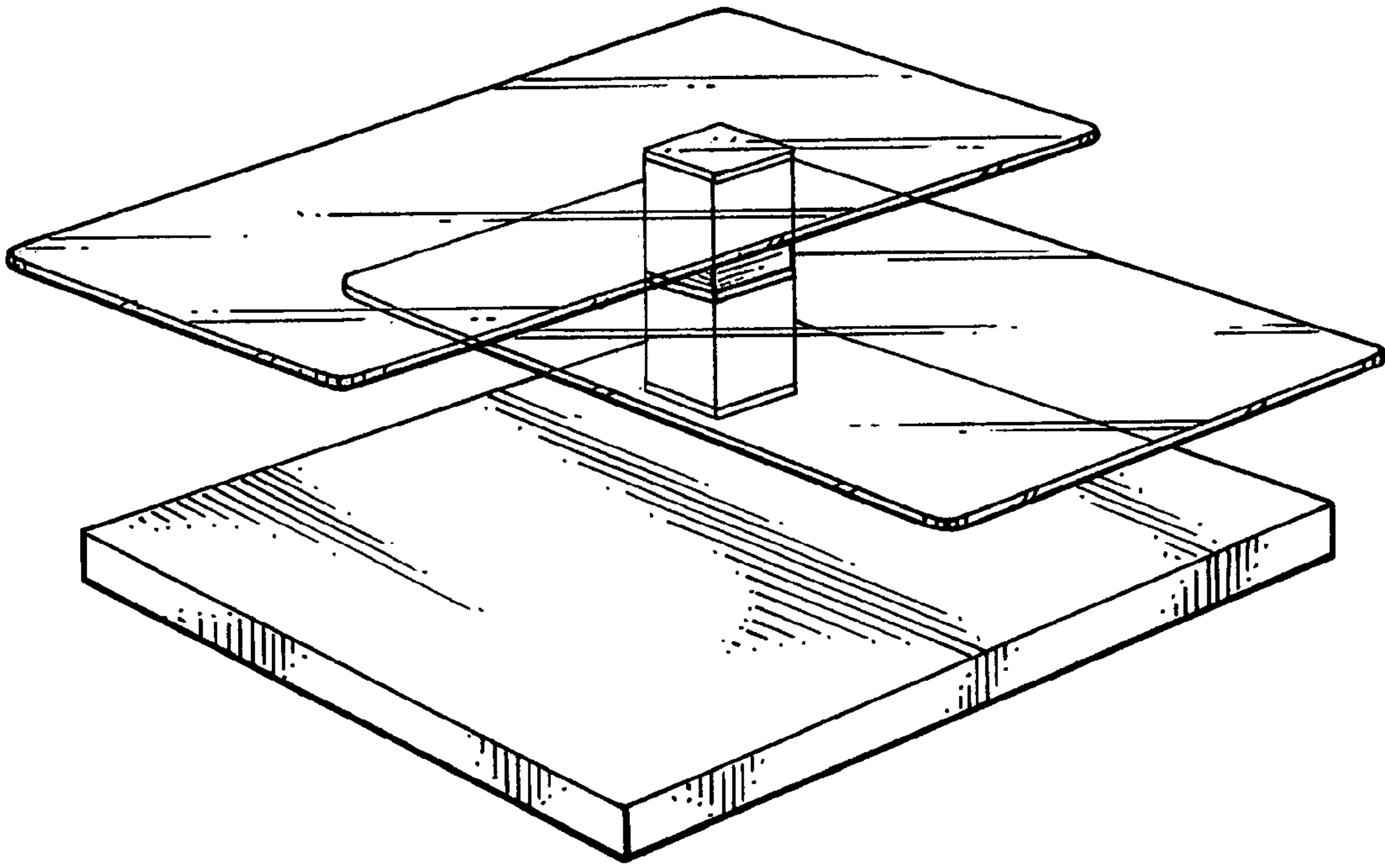
FIG. 4 is a rear elevational view of the table.

FIG. 5 is a top plan view of the table; and,

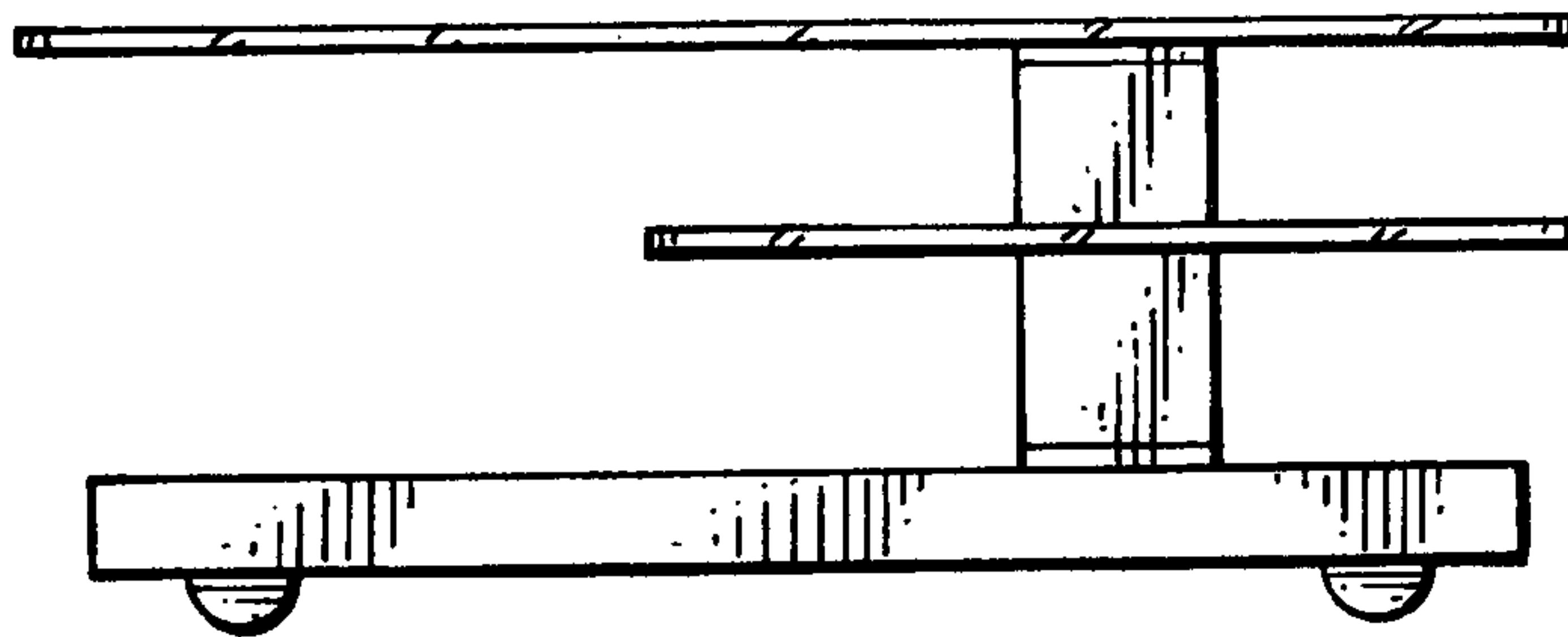
FIG. 6 is a bottom plan view of the table.

**1 Claim, 2 Drawing Sheets**

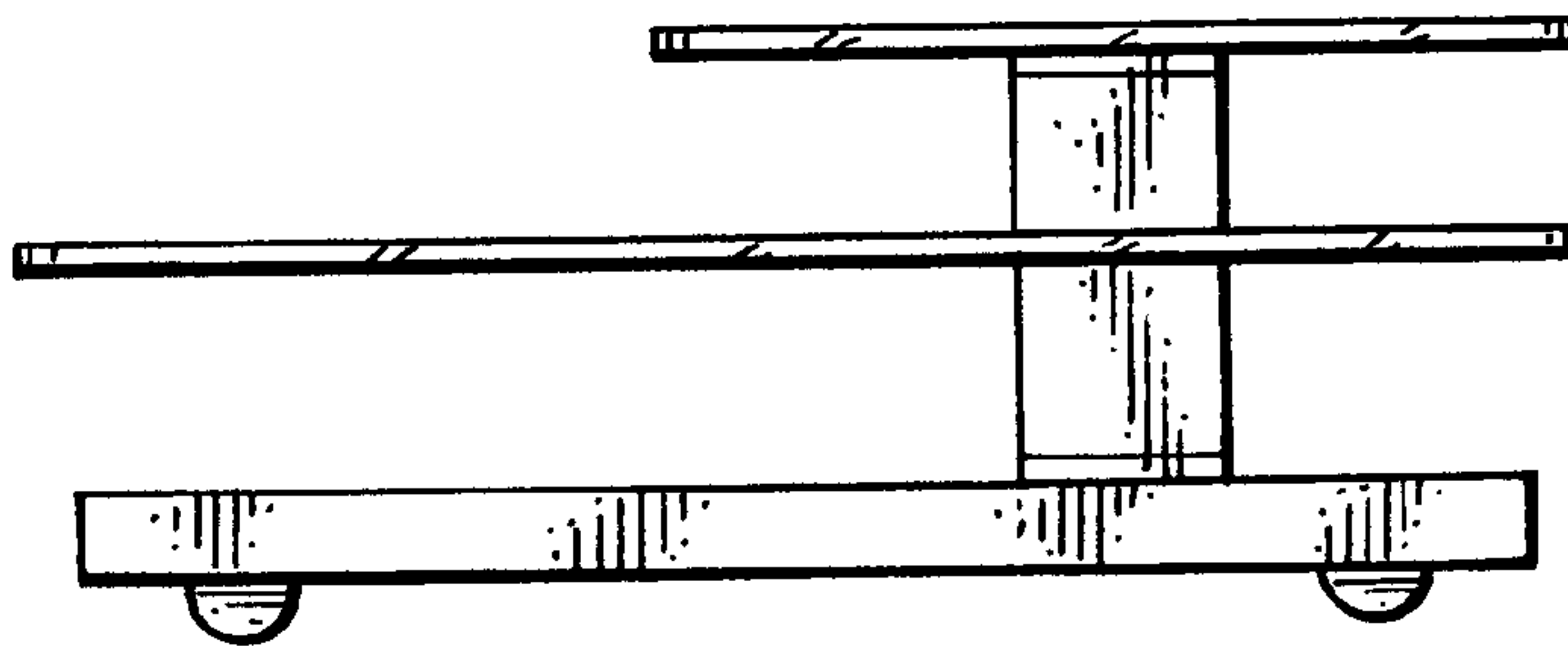




*Fig. 1.*



*Fig. 2.*



*Fig. 3.*

