



US00D560384S

(12) **United States Design Patent**
Stauber

(10) **Patent No.:** **US D560,384 S**

(45) **Date of Patent:** **** Jan. 29, 2008**

(54) **CHAIR**

(75) Inventor: **Barry Stauber**, Spring Valley, NY (US)

(73) Assignee: **National Public Seating Corp**, Clifton, NJ (US)

(**) Term: **14 Years**

(21) Appl. No.: **29/278,535**

(22) Filed: **Apr. 2, 2007**

(51) **LOC (8) Cl.** **06-01**

(52) **U.S. Cl.** **D6/374; D6/380**

(58) **Field of Classification Search** D6/334-336,
D6/370-373, 374, 375, 376, 379, 380, 500-502;
297/239, 445.1, 446.1, 452.29

See application file for complete search history.

(56) **References Cited**

U.S. PATENT DOCUMENTS

D213,191 S *	1/1969	Koch	D6/502
D219,032 S *	10/1970	Christenson, Jr.	D6/374
4,306,750 A	12/1981	Wenger et al.		
D264,779 S	6/1982	Wenger et al.		
D264,899 S *	6/1982	Lange	D6/374
D270,792 S *	10/1983	Lange	D6/374
D318,186 S *	7/1991	Votteler	D6/374

D357,594 S *	4/1995	Kellen	D6/374
D374,561 S *	10/1996	Meijer	D6/379
D376,272 S *	12/1996	Piretti	D6/374
D395,177 S *	6/1998	Dammerman et al.	D6/380
D411,382 S *	6/1999	Graham	D6/380
D541,068 S *	4/2007	Foster	D6/374

* cited by examiner

Primary Examiner—Mimosa De

(74) *Attorney, Agent, or Firm*—Joel Weiss; Weiss + Arons, LLP

(57) **CLAIM**

The ornamental design for a design for chair, as shown and described.

DESCRIPTION

FIG. 1 is front left perspective view thereof;

FIG. 2 is a front view thereof;

FIG. 3 is left view thereof;

FIG. 4 is top view thereof; and,

FIG. 5 is a right view thereof.

The design has an unornamented bottom view and back view and views thereof are omitted from the specification.

1 Claim, 3 Drawing Sheets

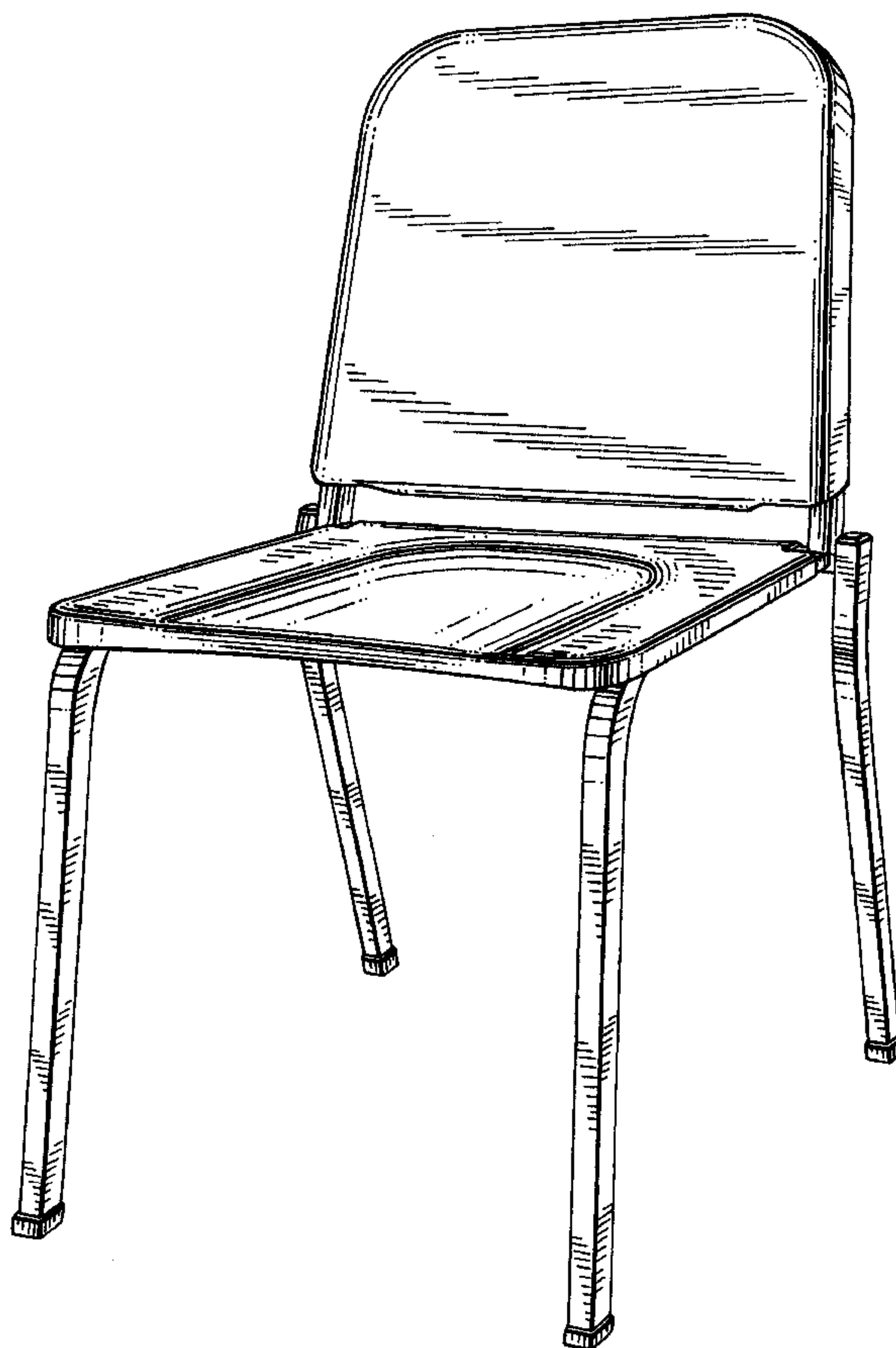
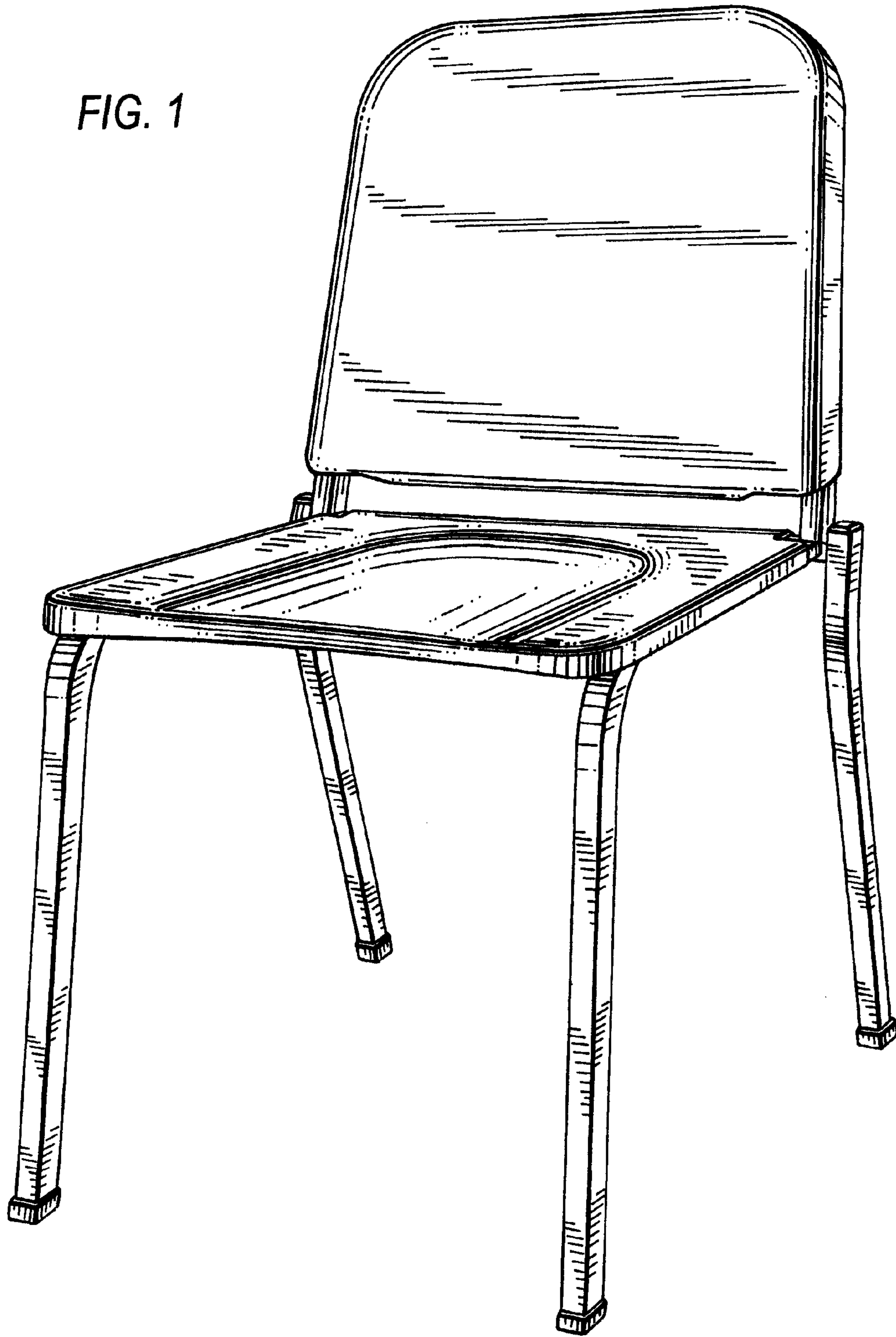


FIG. 1



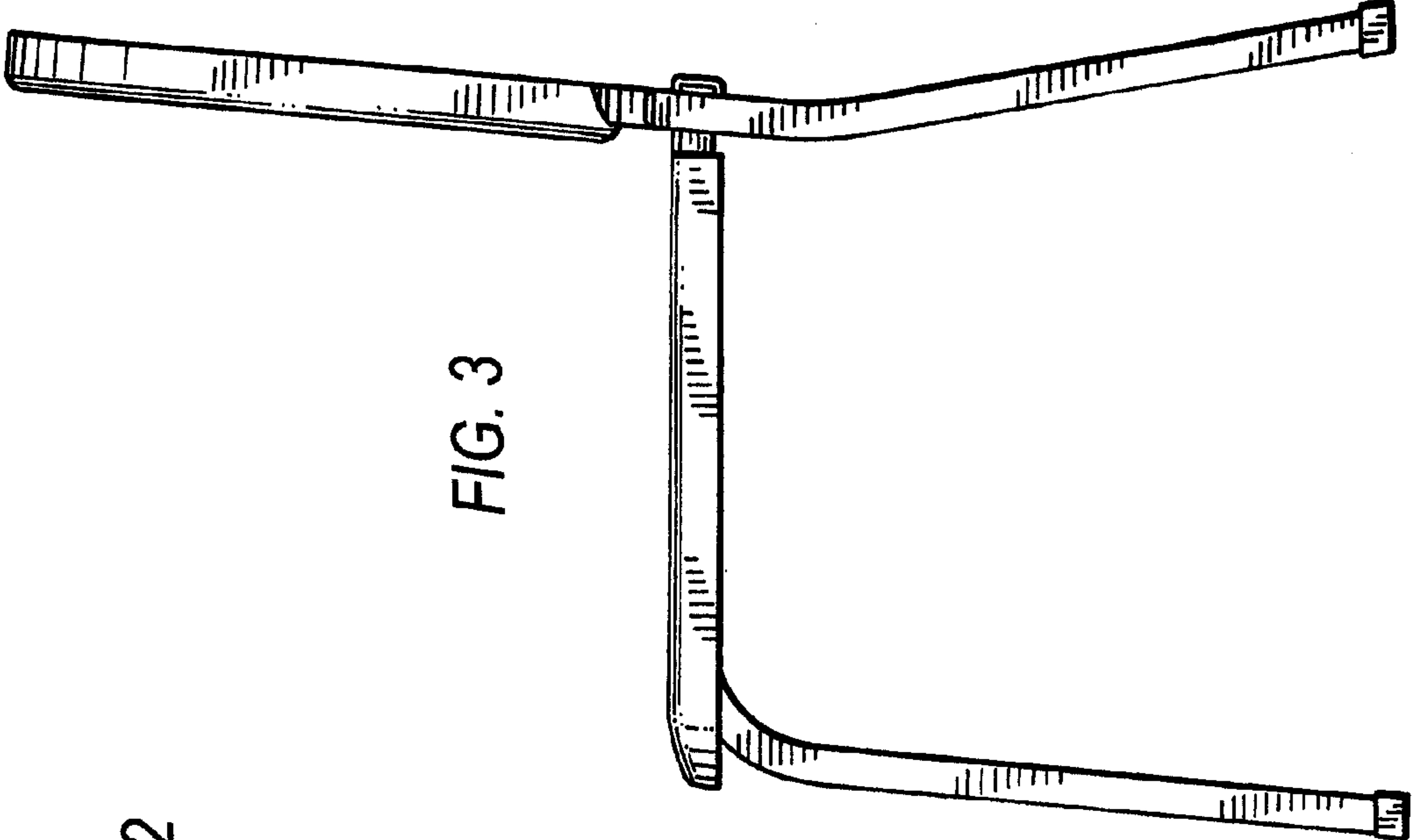


FIG. 3

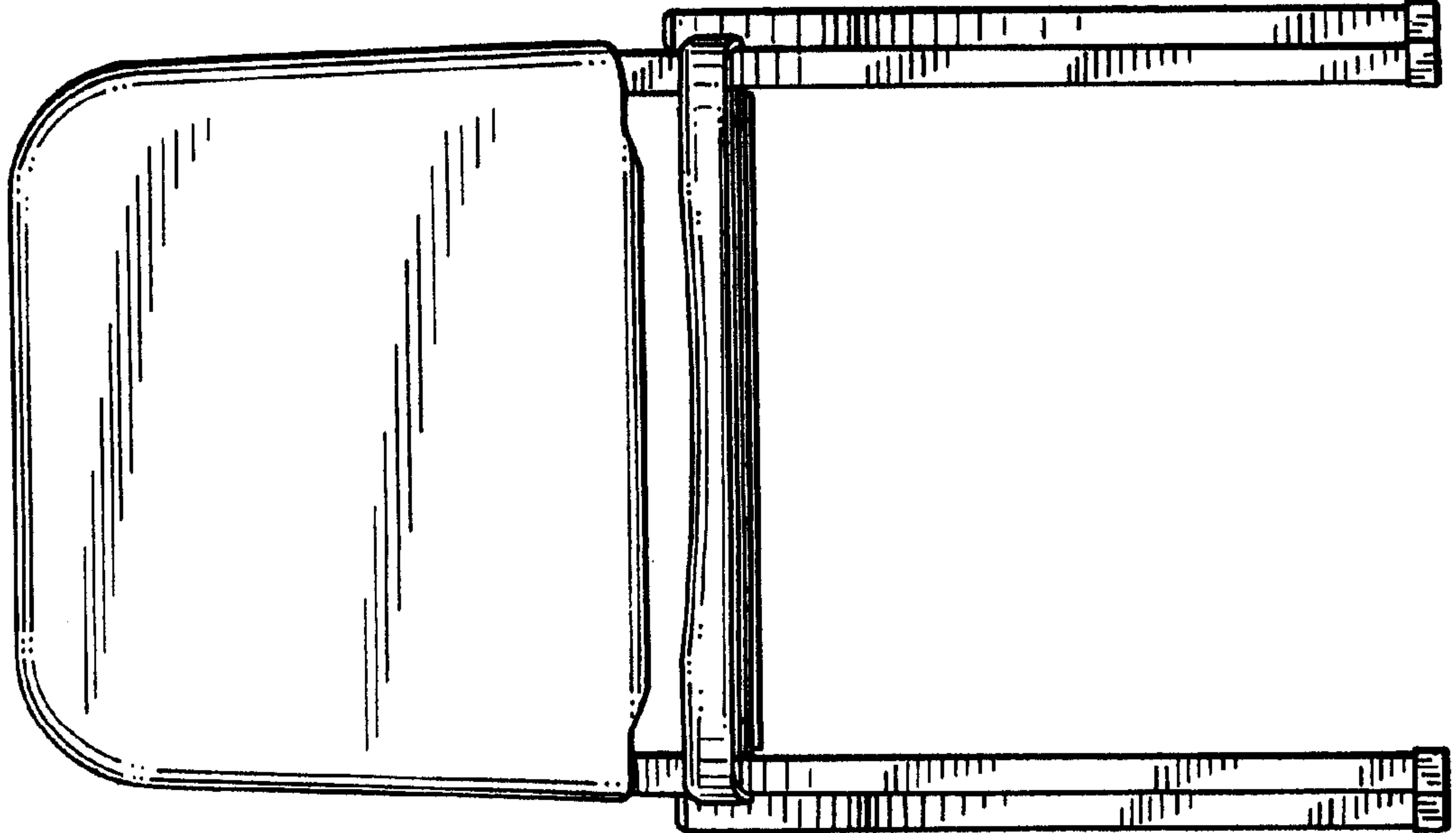


FIG. 2

FIG. 5

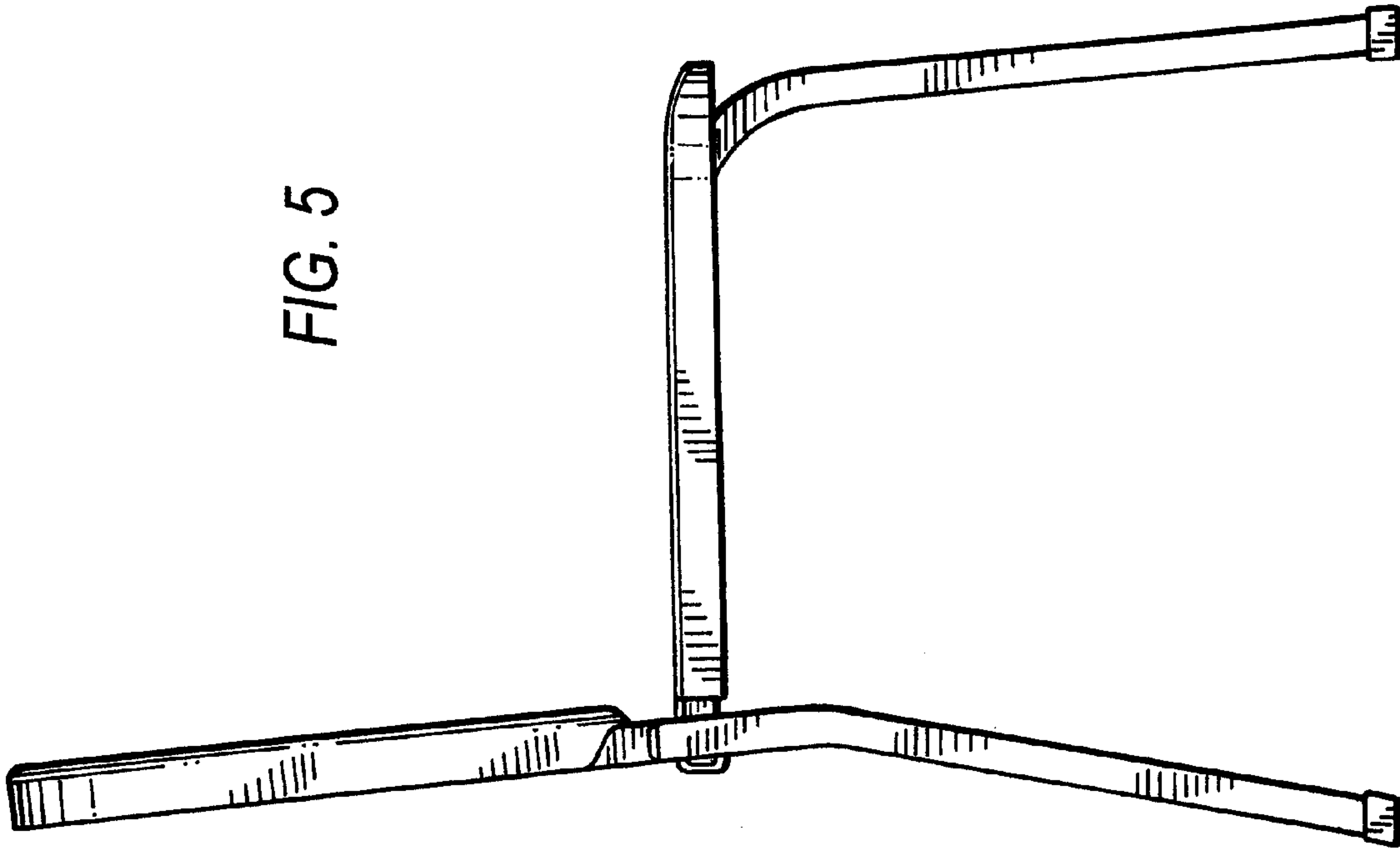


FIG. 4

