

US00D560381S

(12) **United States Design Patent**  
**Dauphin**

(10) **Patent No.:** **US D560,381 S**  
(45) **Date of Patent:** **\*\* Jan. 29, 2008**

(54) **CHAIR**

(75) Inventor: **Elke Dauphin**, Hersbruck (DE)

(73) Assignee: **Dauphin Entwicklungs-und Beteiligungs GmbH**, Hersbruck (DE)

(\*\*) Term: **14 Years**

(21) Appl. No.: **29/227,895**

(22) Filed: **Apr. 18, 2005**

(30) **Foreign Application Priority Data**

Oct. 18, 2004 (DE) ..... 404 05 986

(51) **LOC (8) Cl.** ..... **06-01**

(52) **U.S. Cl.** ..... **D6/366**

(58) **Field of Classification Search** ..... D6/366,  
D6/336, 364, 365, 367, 379, 498, 500-502;  
297/284.4, 411.2, 411.27, 411.28, 411.36,  
297/452.3, 452.29

See application file for complete search history.

(56) **References Cited**

**U.S. PATENT DOCUMENTS**

- D405,618 S \* 2/1999 Reutepohler et al. .... D6/366
- D418,316 S \* 1/2000 Vogtherr ..... D6/366
- D429,584 S \* 8/2000 Brettschneider et al. .... D6/500
- D451,293 S \* 12/2001 Su ..... D6/366
- D518,318 S \* 4/2006 Koepke ..... D6/498
- D534,384 S \* 1/2007 Su ..... D6/502

\* cited by examiner

*Primary Examiner*—Robert M. Spear

*Assistant Examiner*—Katrina A Kile

(74) *Attorney, Agent, or Firm*—Browdy and Neimark, PLLC

(57) **CLAIM**

The ornamental design for a chair, as shown.

**DESCRIPTION**

FIG. 1 is a front elevational view for a chair showing a first embodiment of my new design;

FIG. 2 is a right side elevational view thereof;

FIG. 3 is a rear perspective view thereof;

FIG. 4 is a rear elevational view thereof;

FIG. 5 is a left side elevational view thereof;

FIG. 6 is a top plan view thereof;

FIG. 7 is a bottom plan view thereof;

FIG. 8 is a front elevational view for a chair showing a second embodiment of my design;

FIG. 9 is a right side elevational view thereof;

FIG. 10 is a rear perspective view thereof;

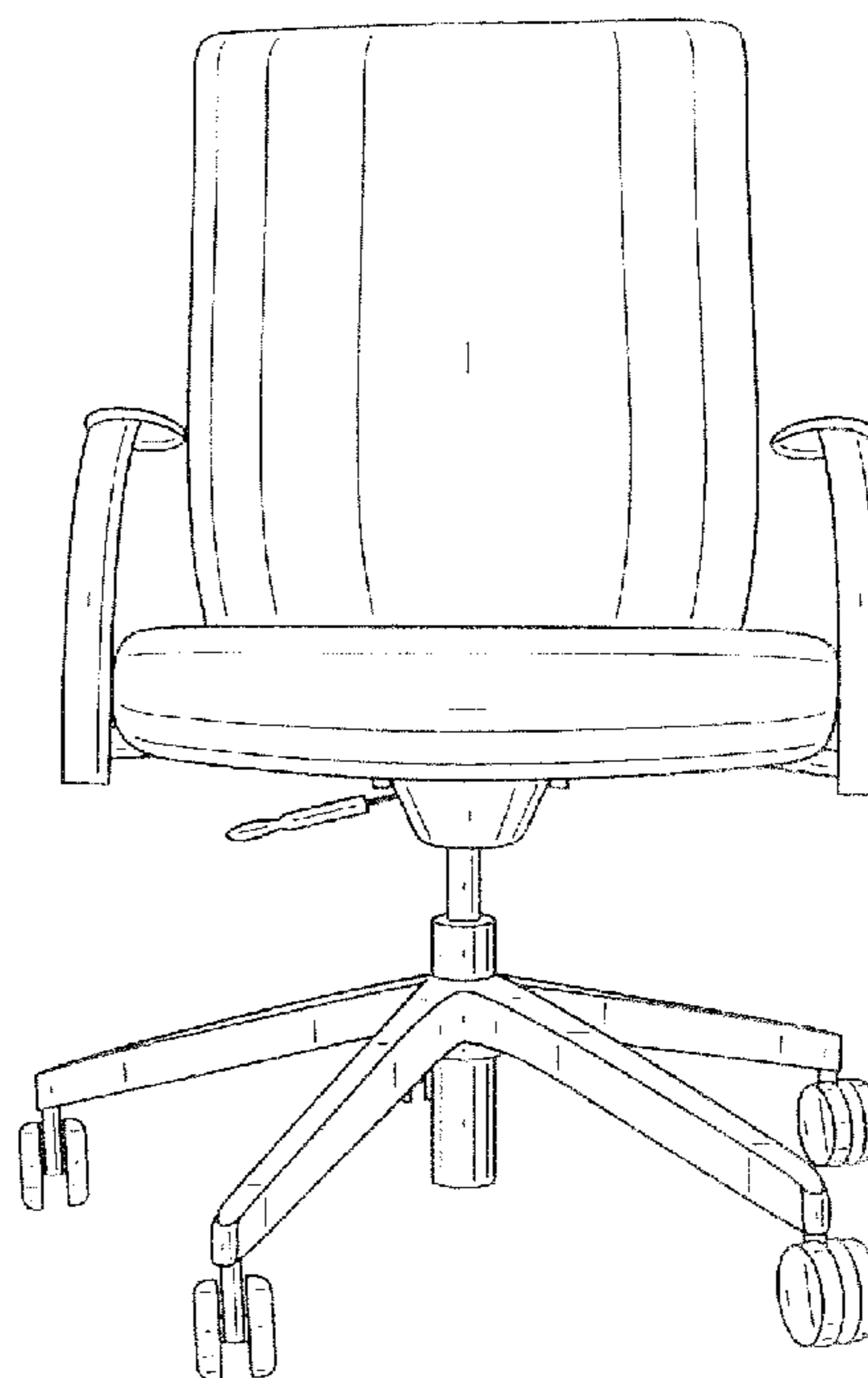
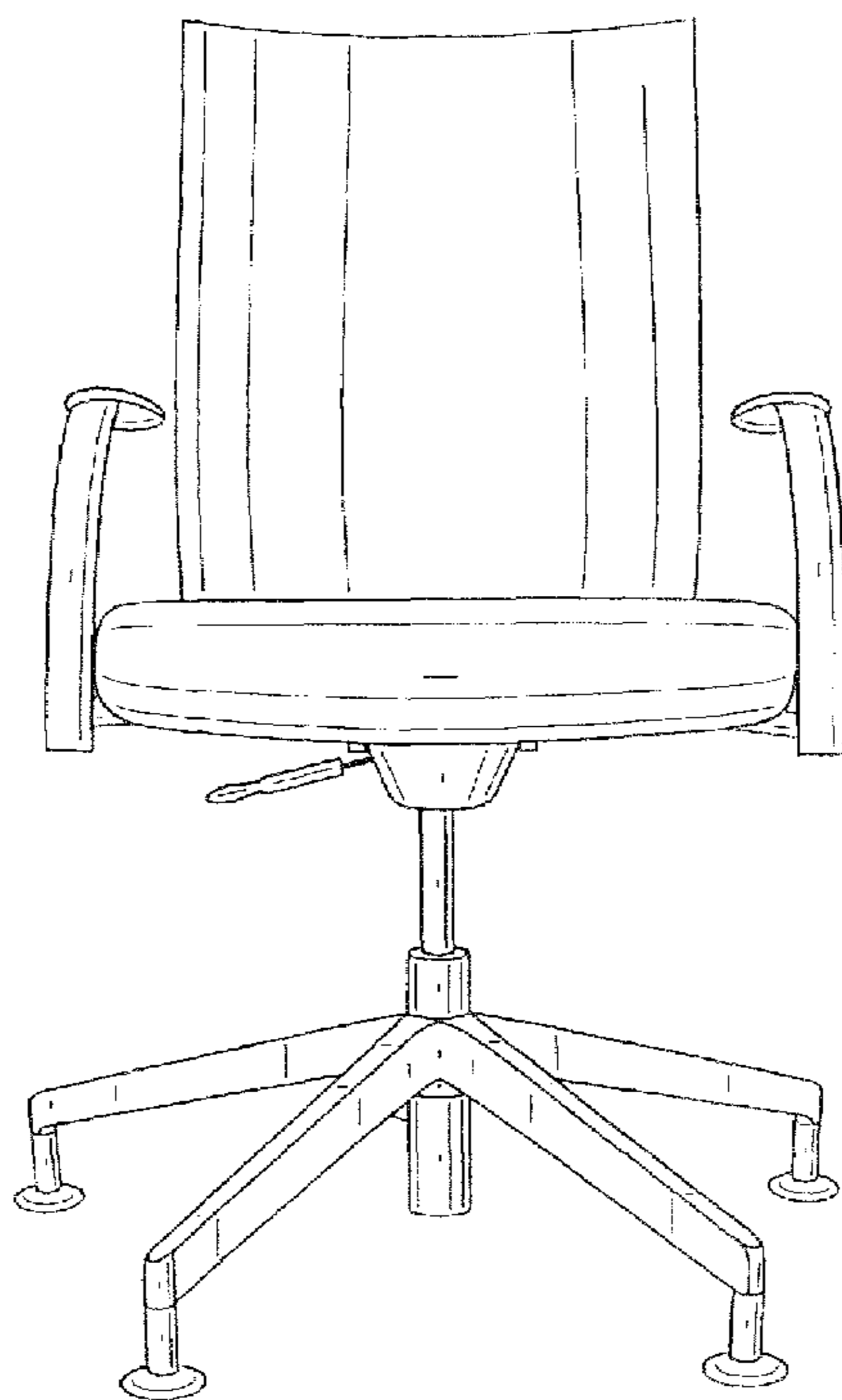
FIG. 11 is a rear elevational view thereof;

FIG. 12 is a left side elevational view thereof;

FIG. 13 is a top plan view thereof; and,

FIG. 14 is a bottom plan view thereof.

**1 Claim, 8 Drawing Sheets**



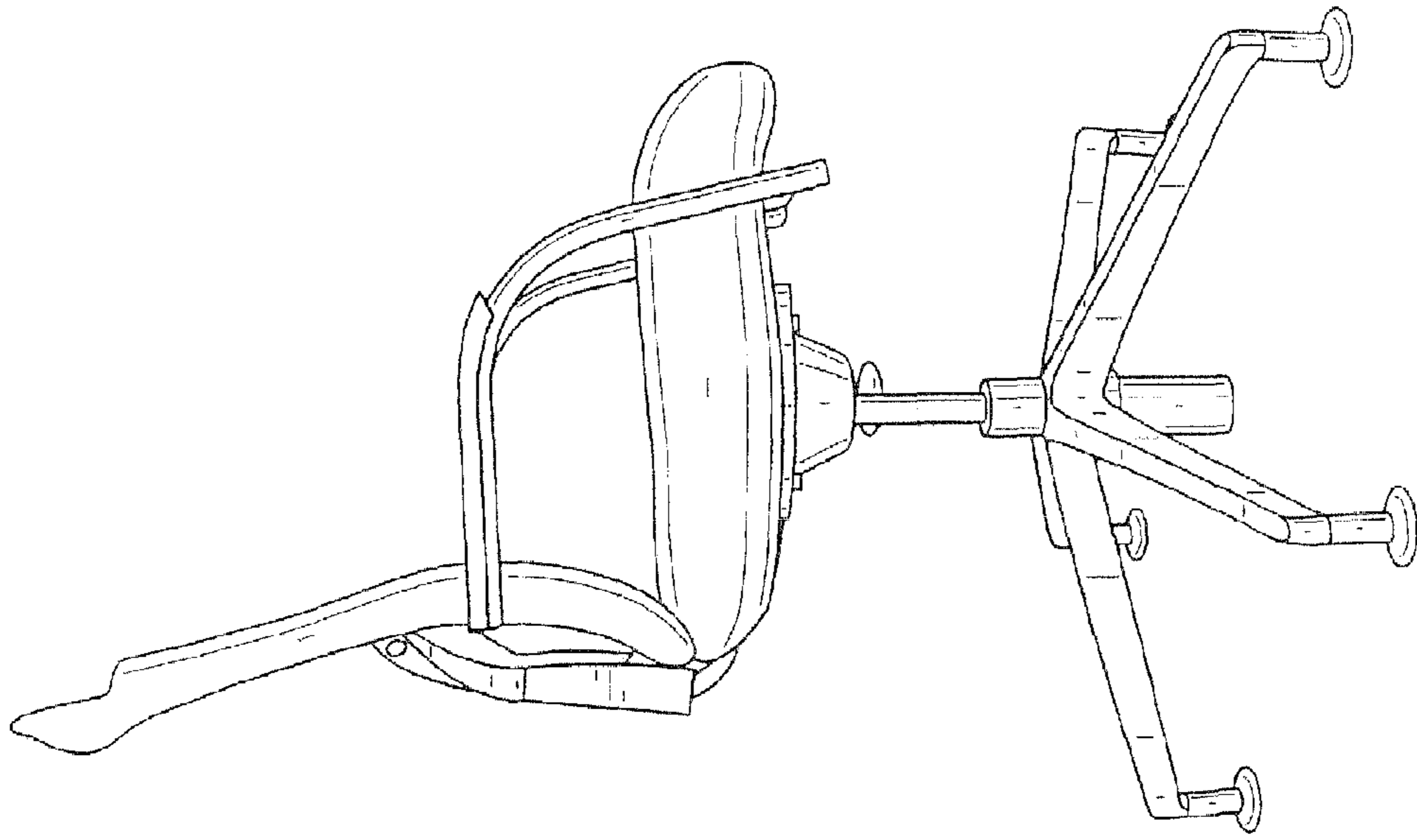


FIG. 2

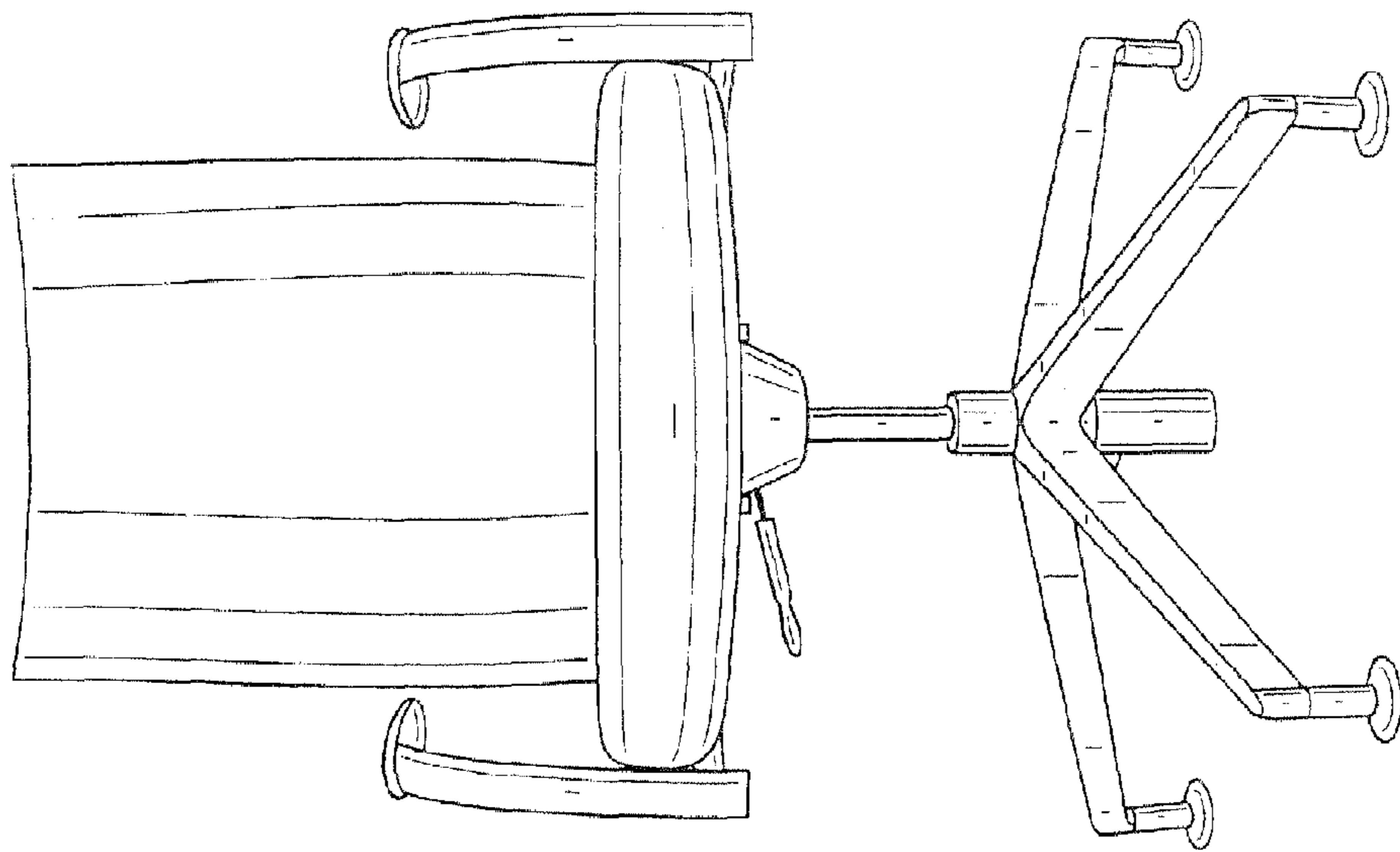


FIG. 1

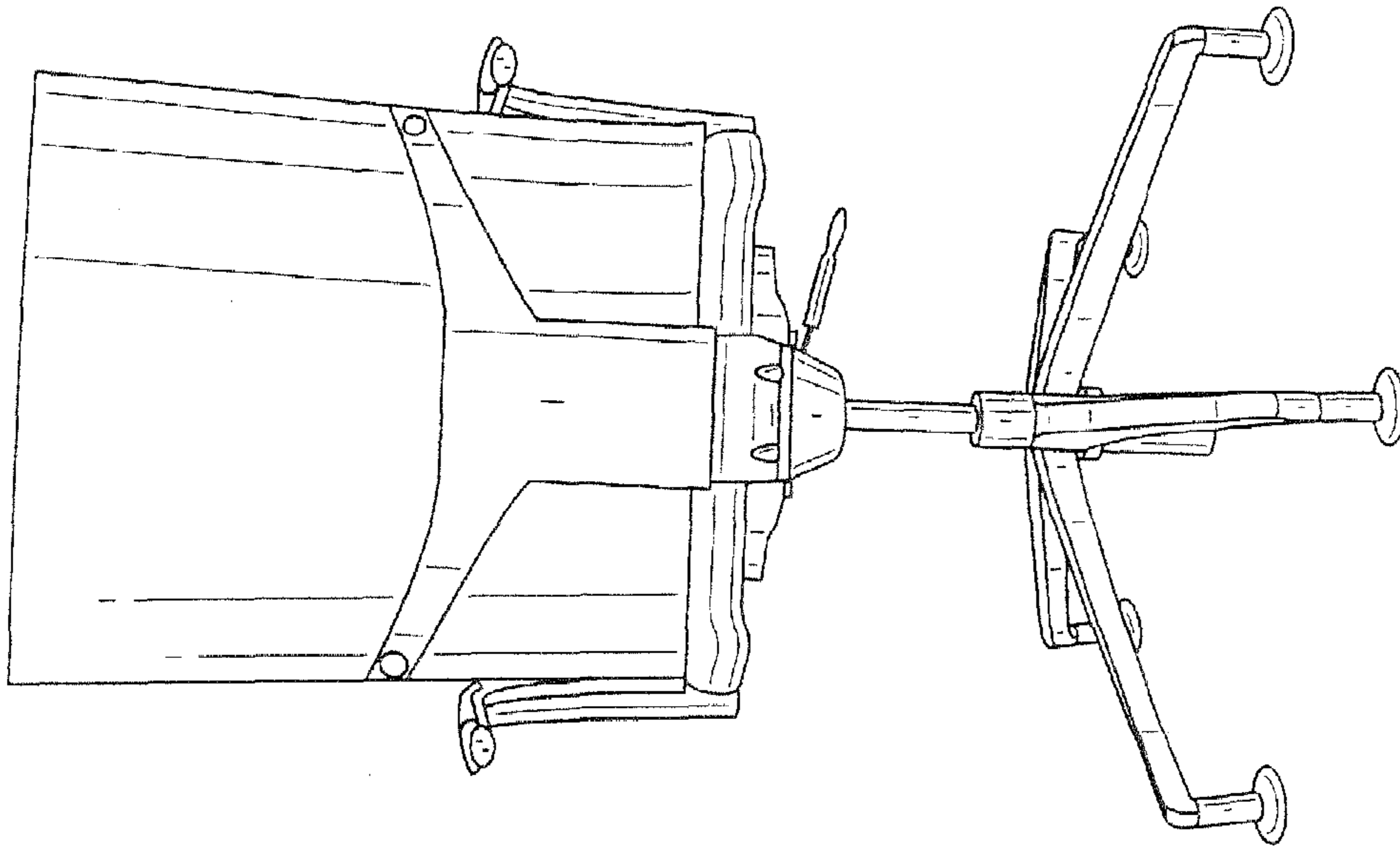


FIG. 4

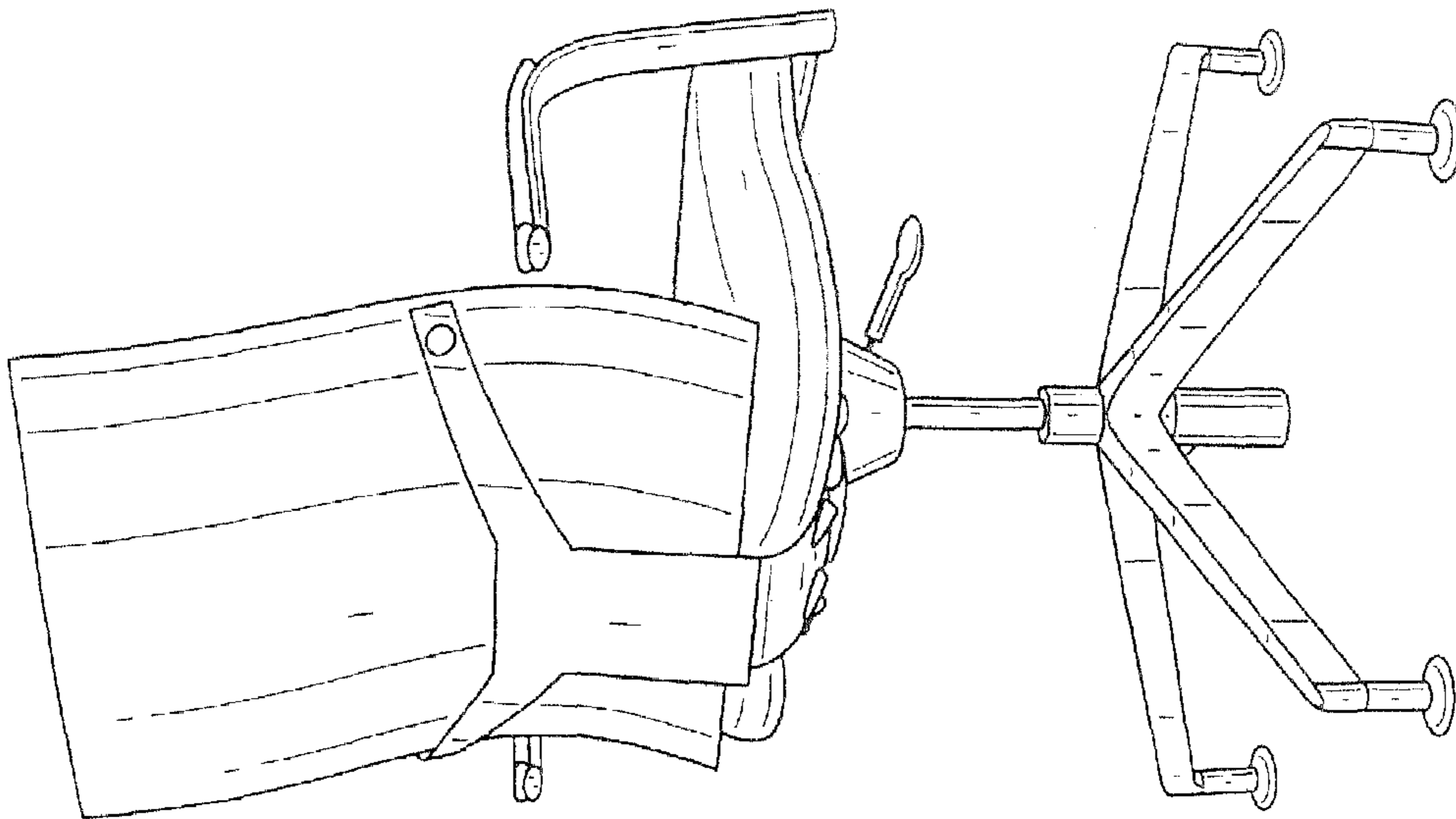


FIG. 3

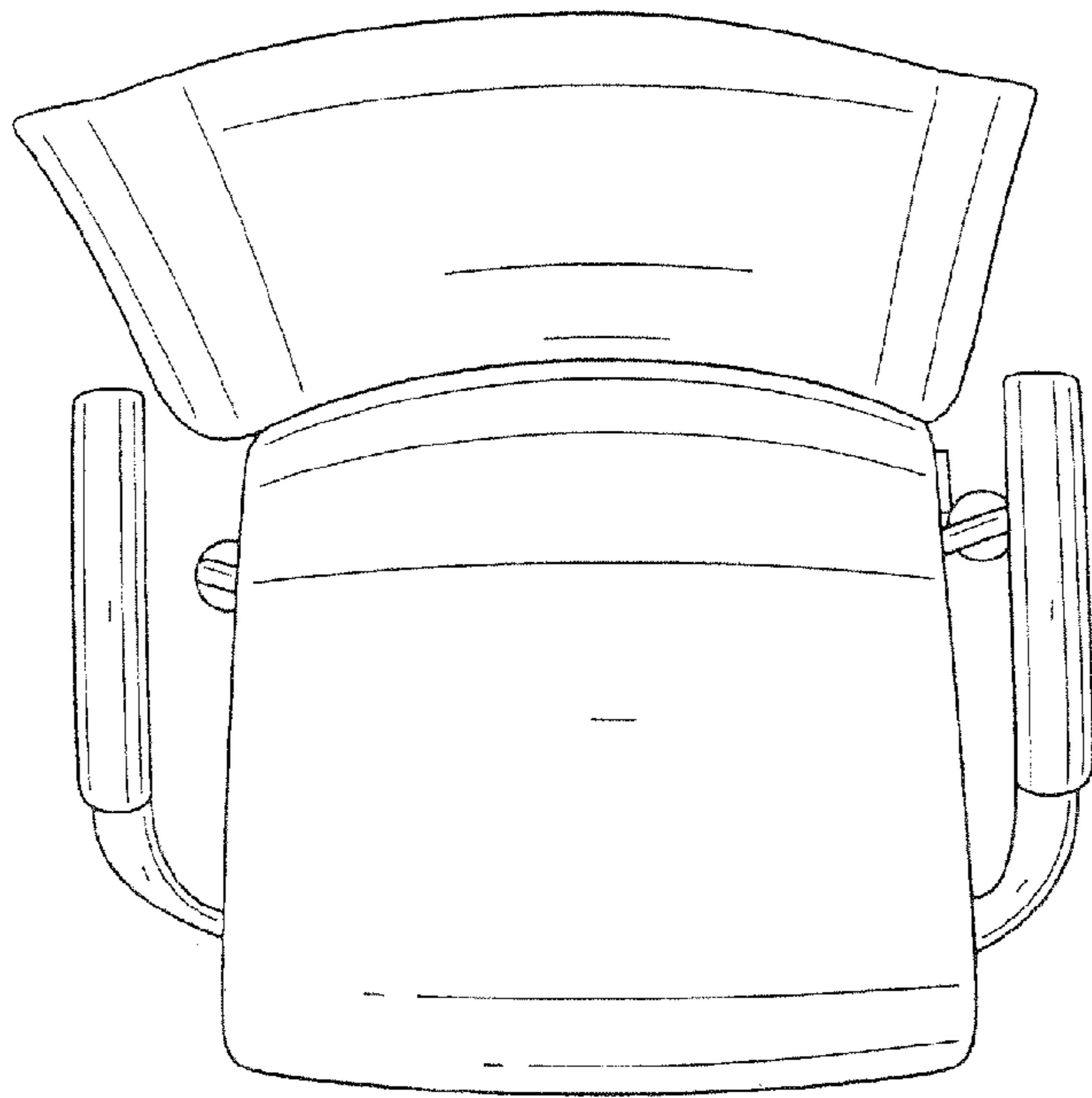


FIG. 6

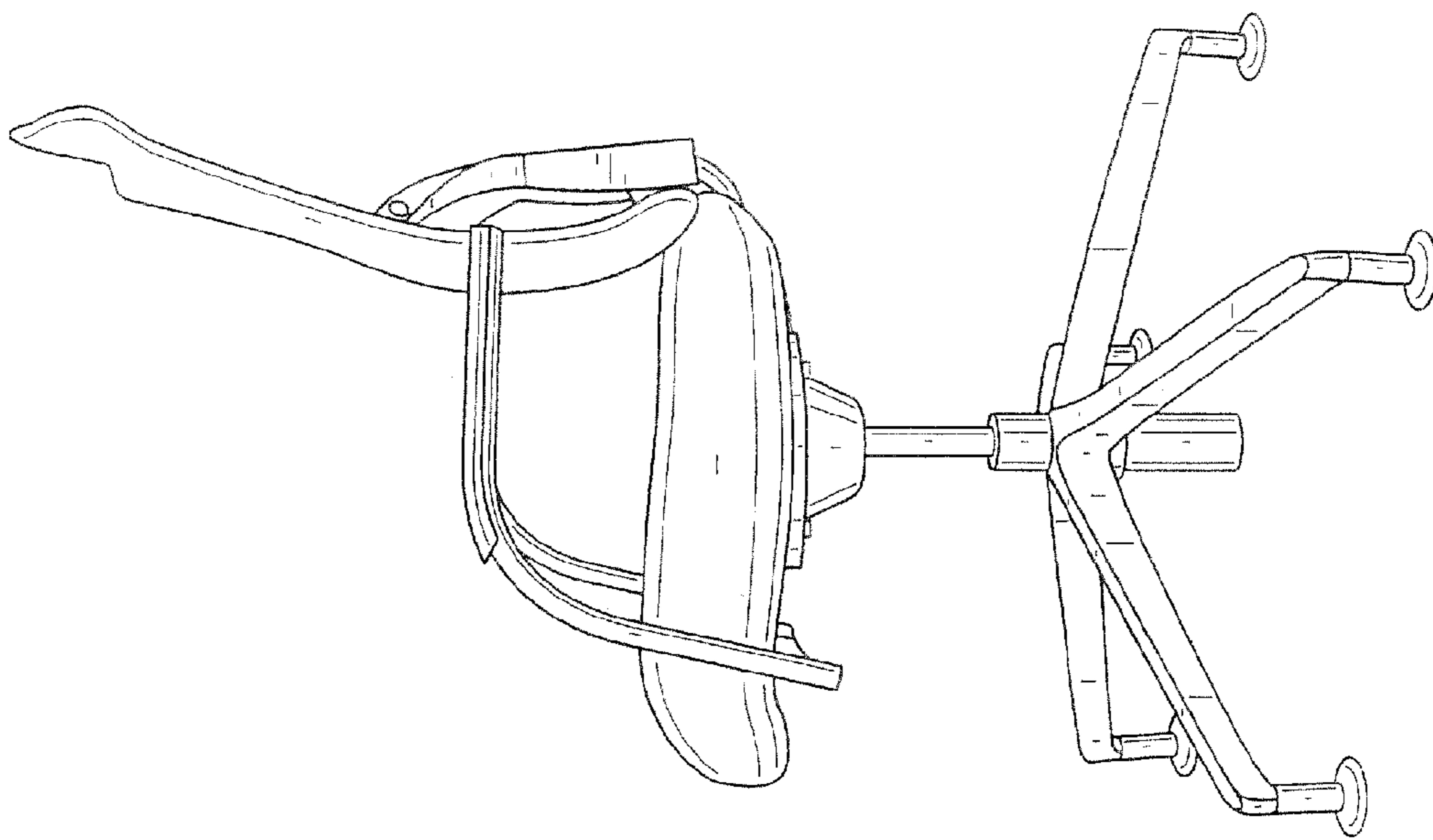


FIG. 5

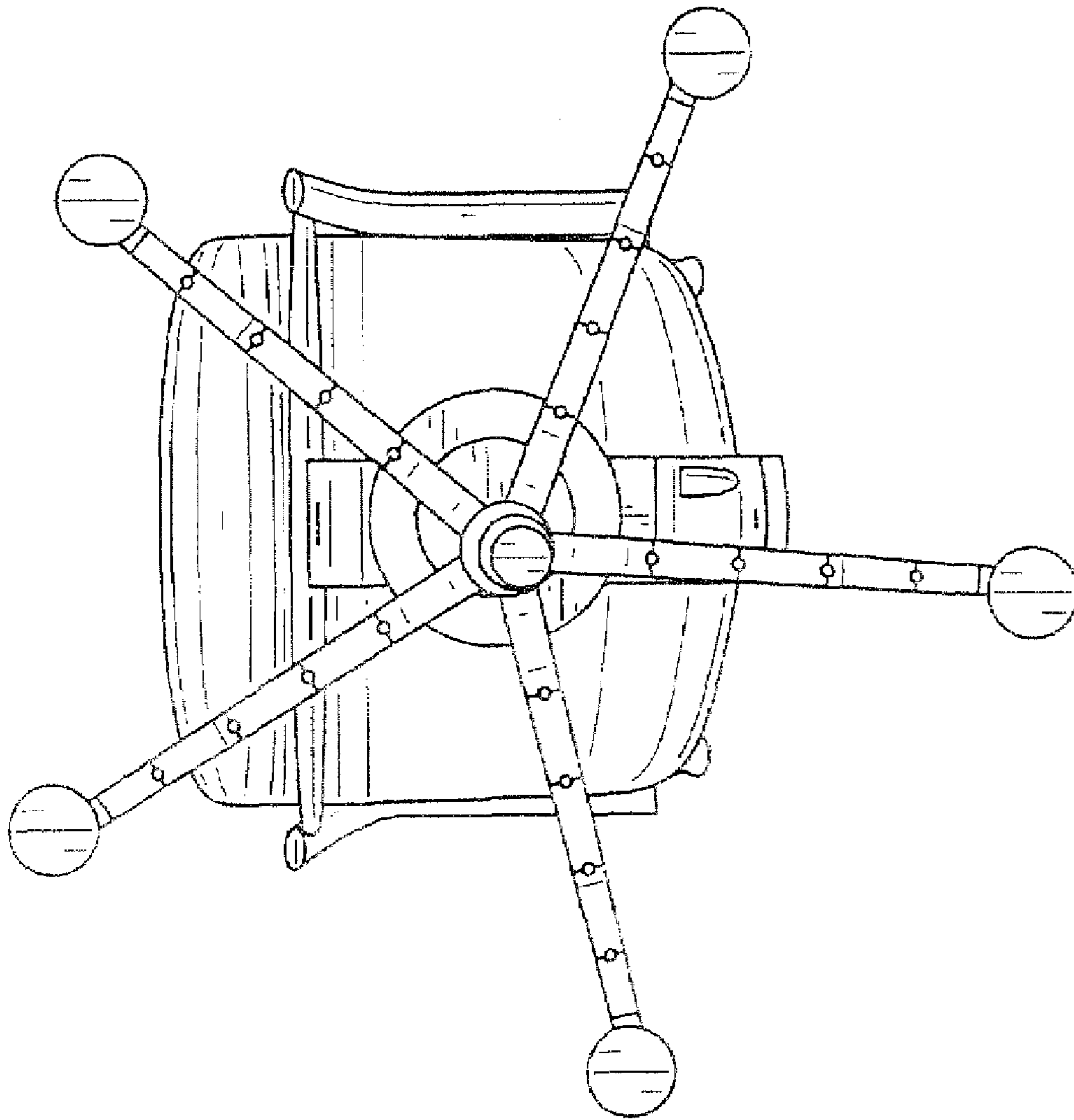


FIG. 7

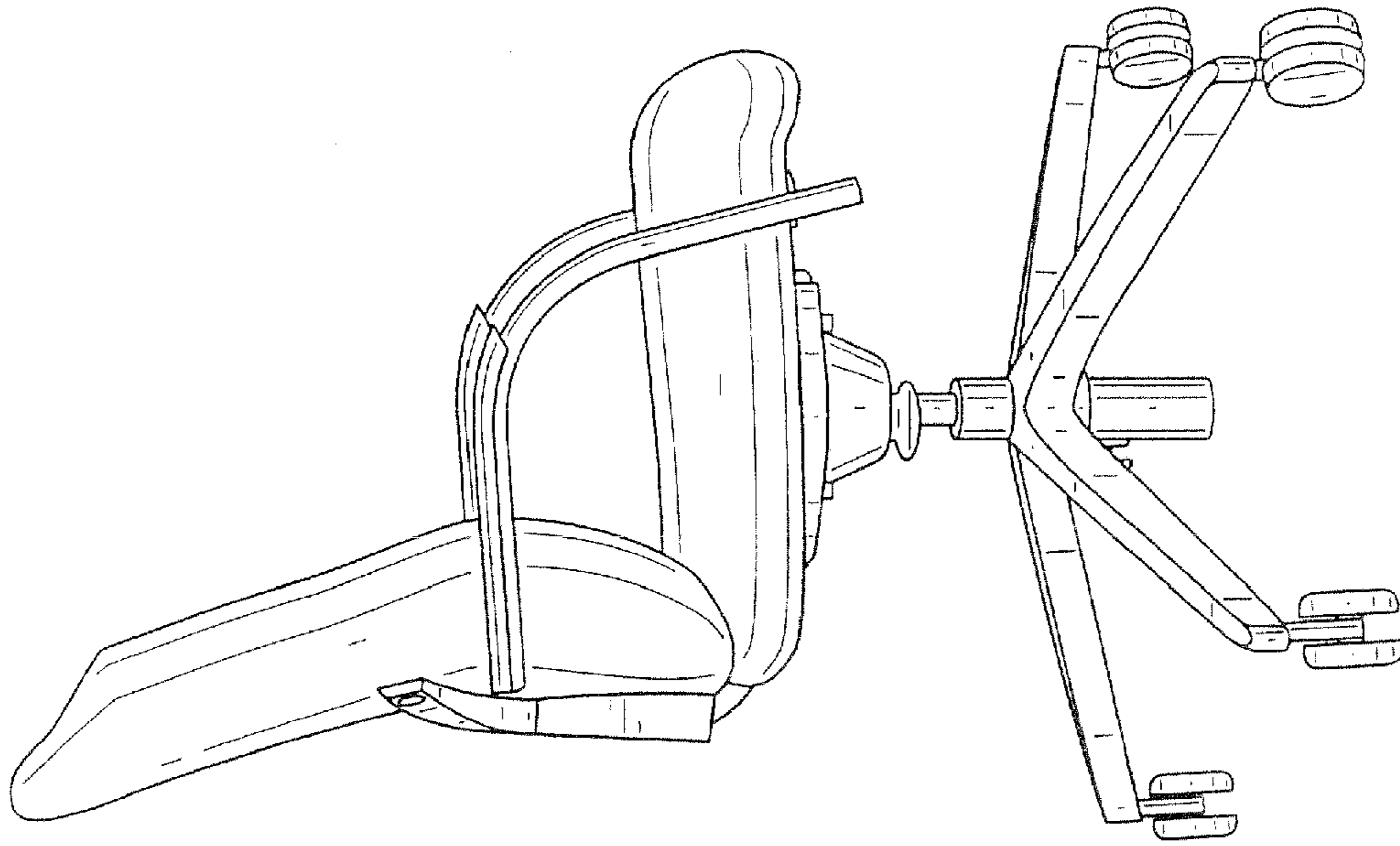


FIG. 9

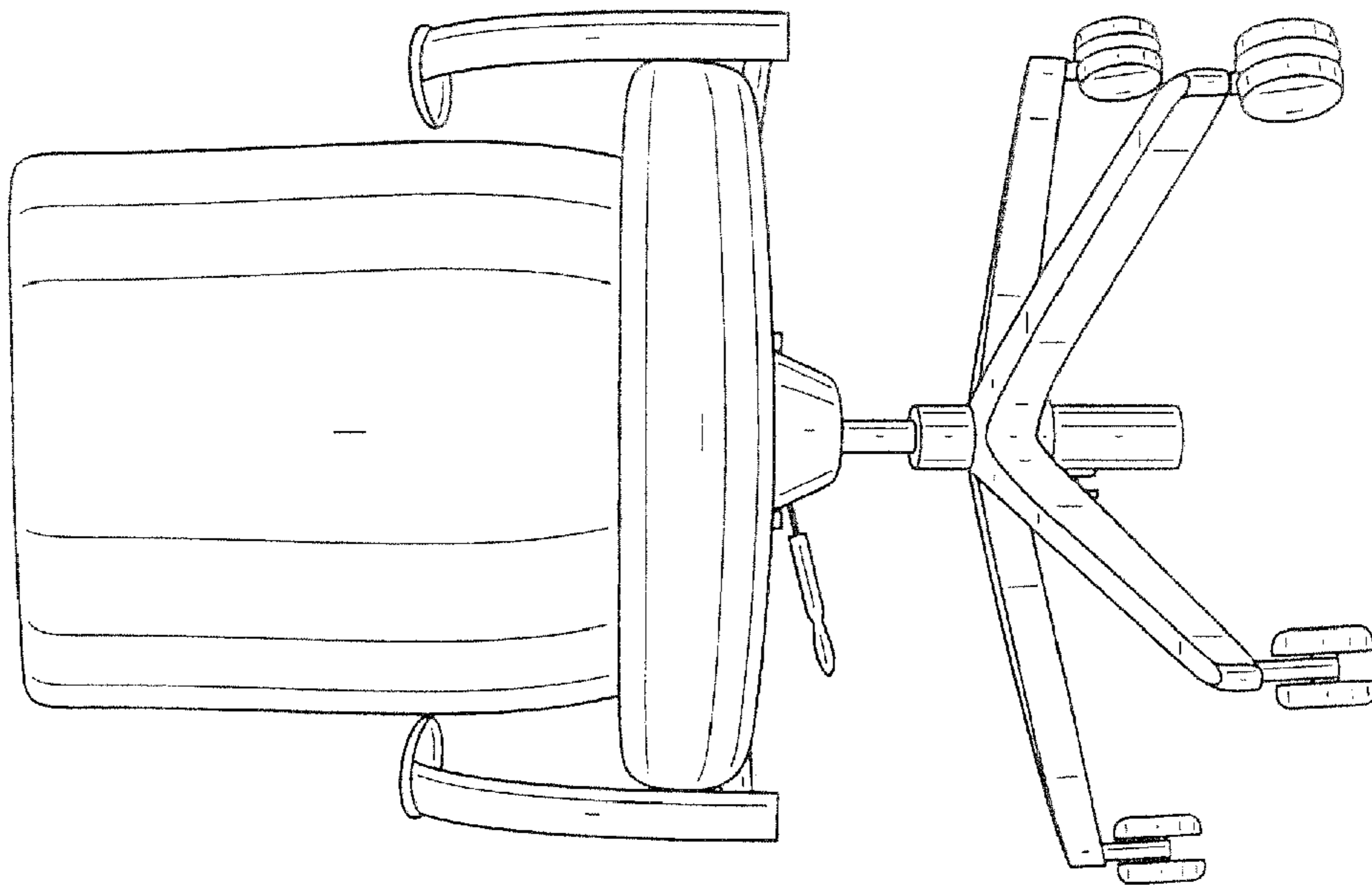


FIG. 8

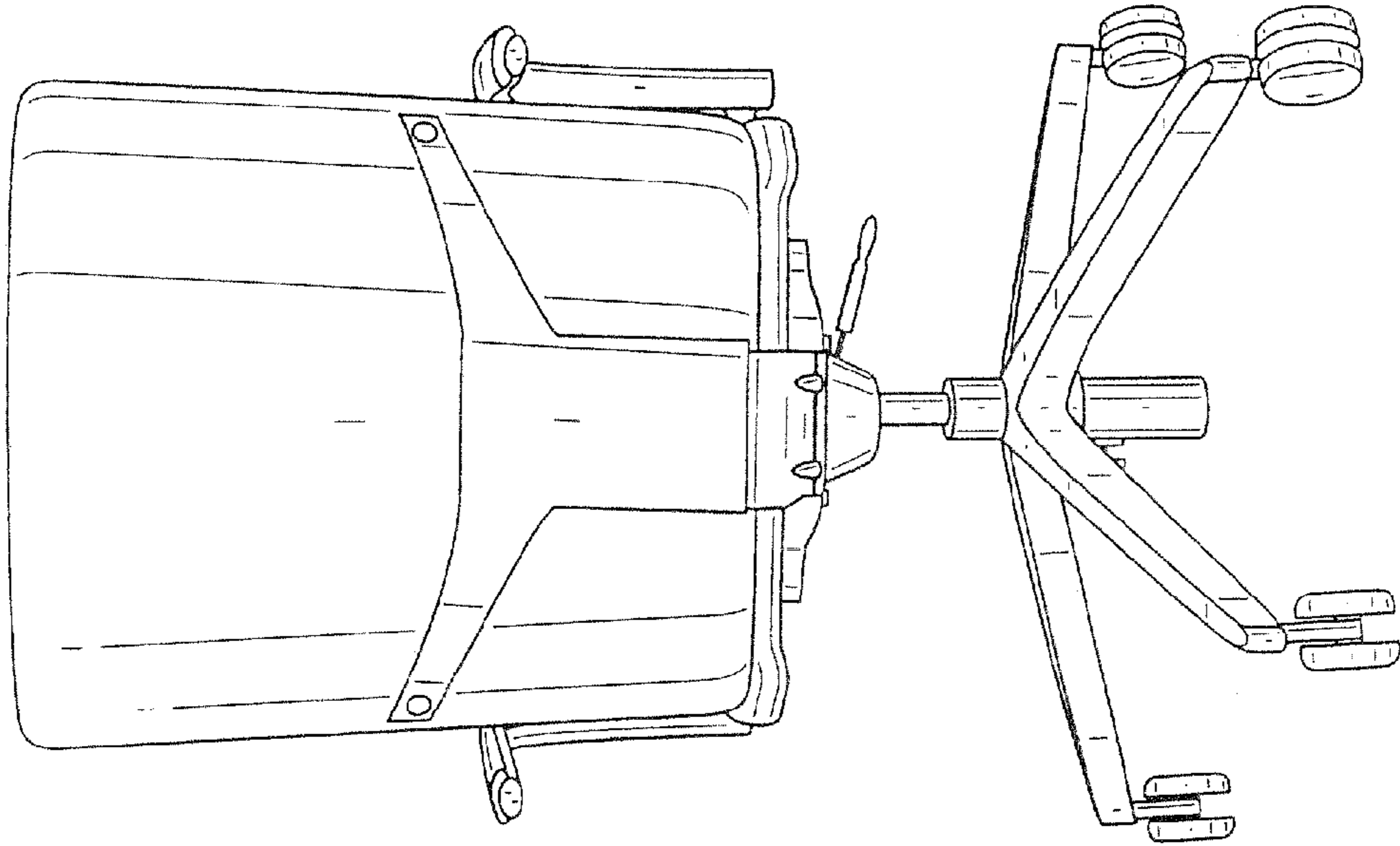


FIG. 11

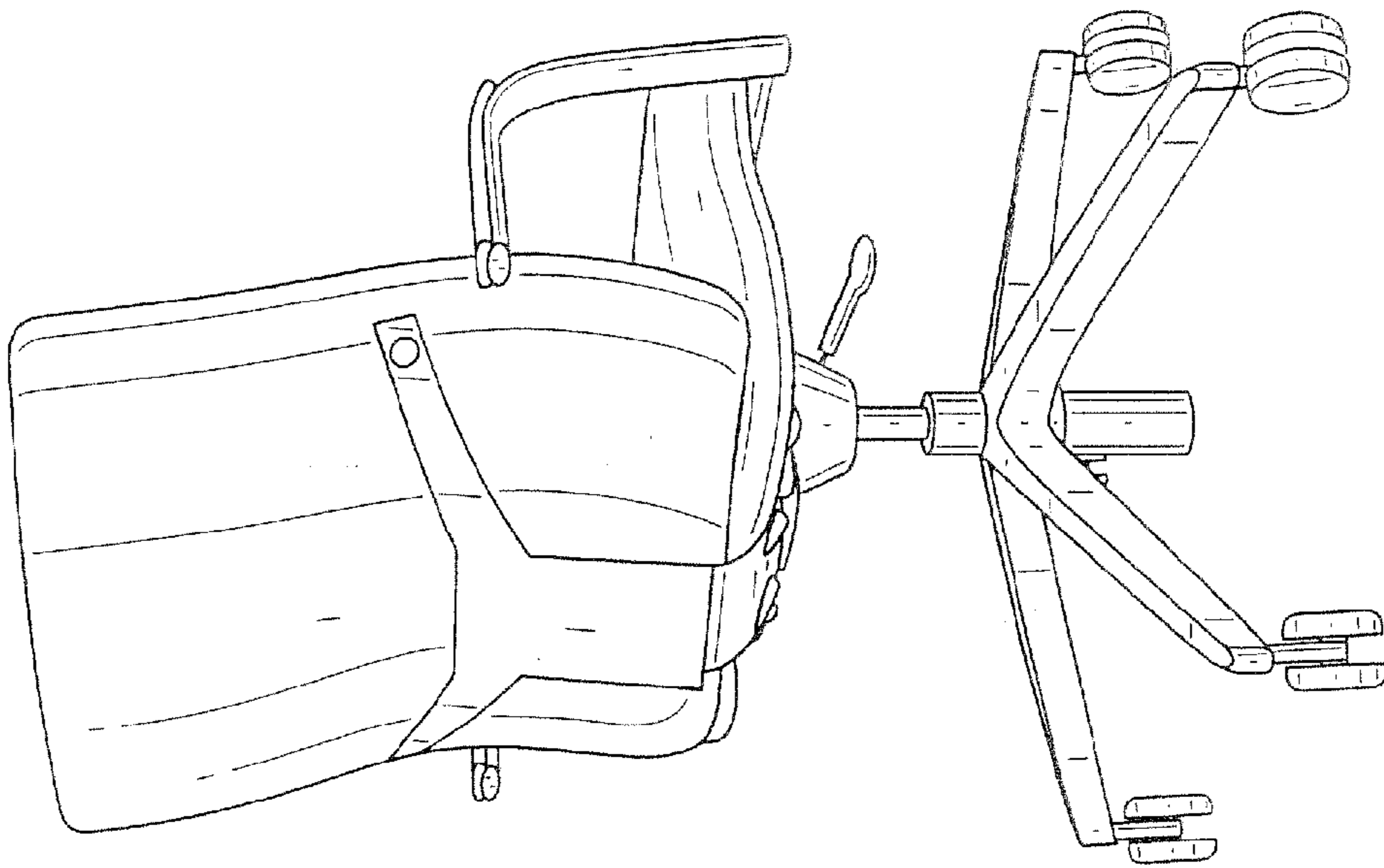


FIG. 10

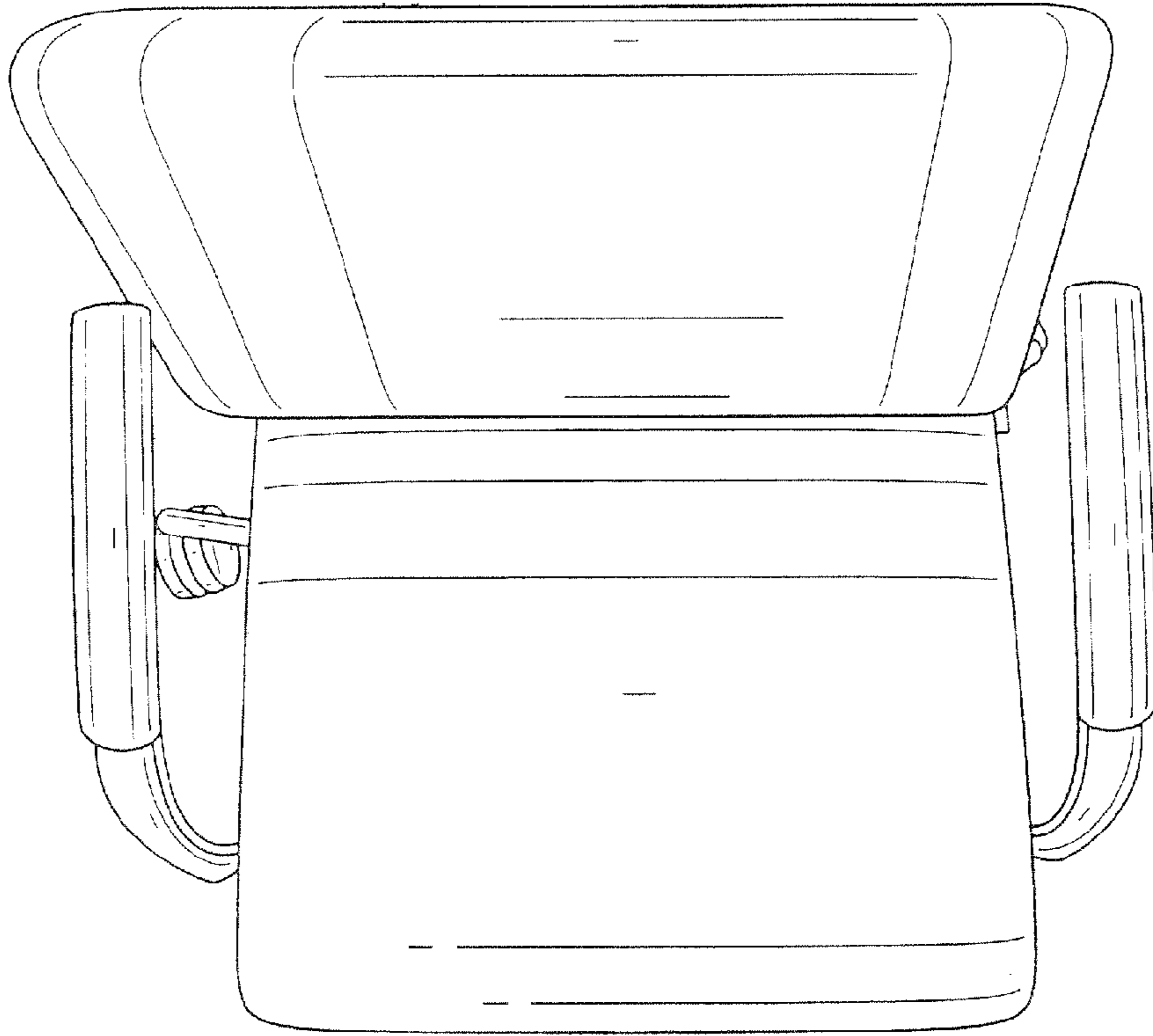


FIG. 13

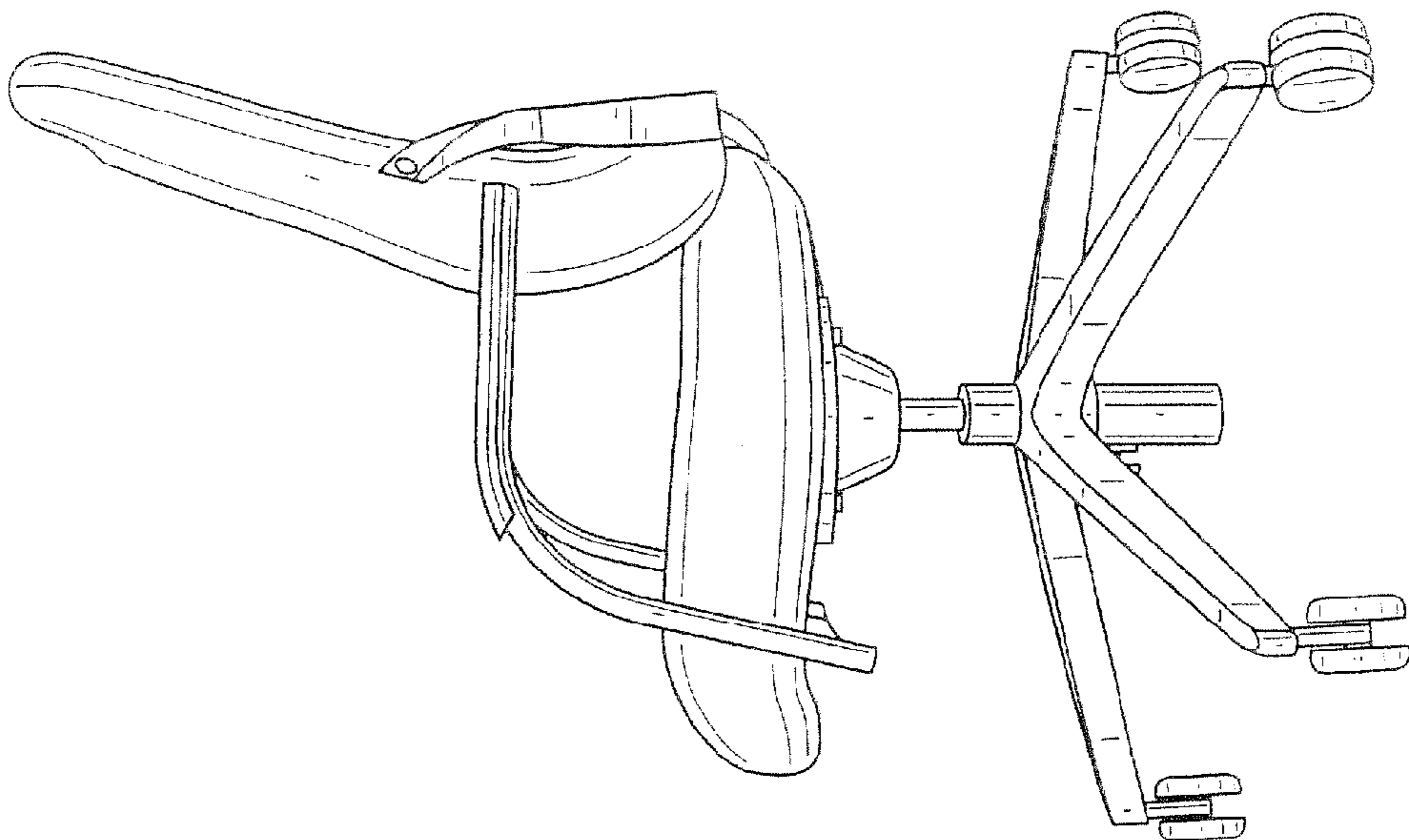


FIG. 12



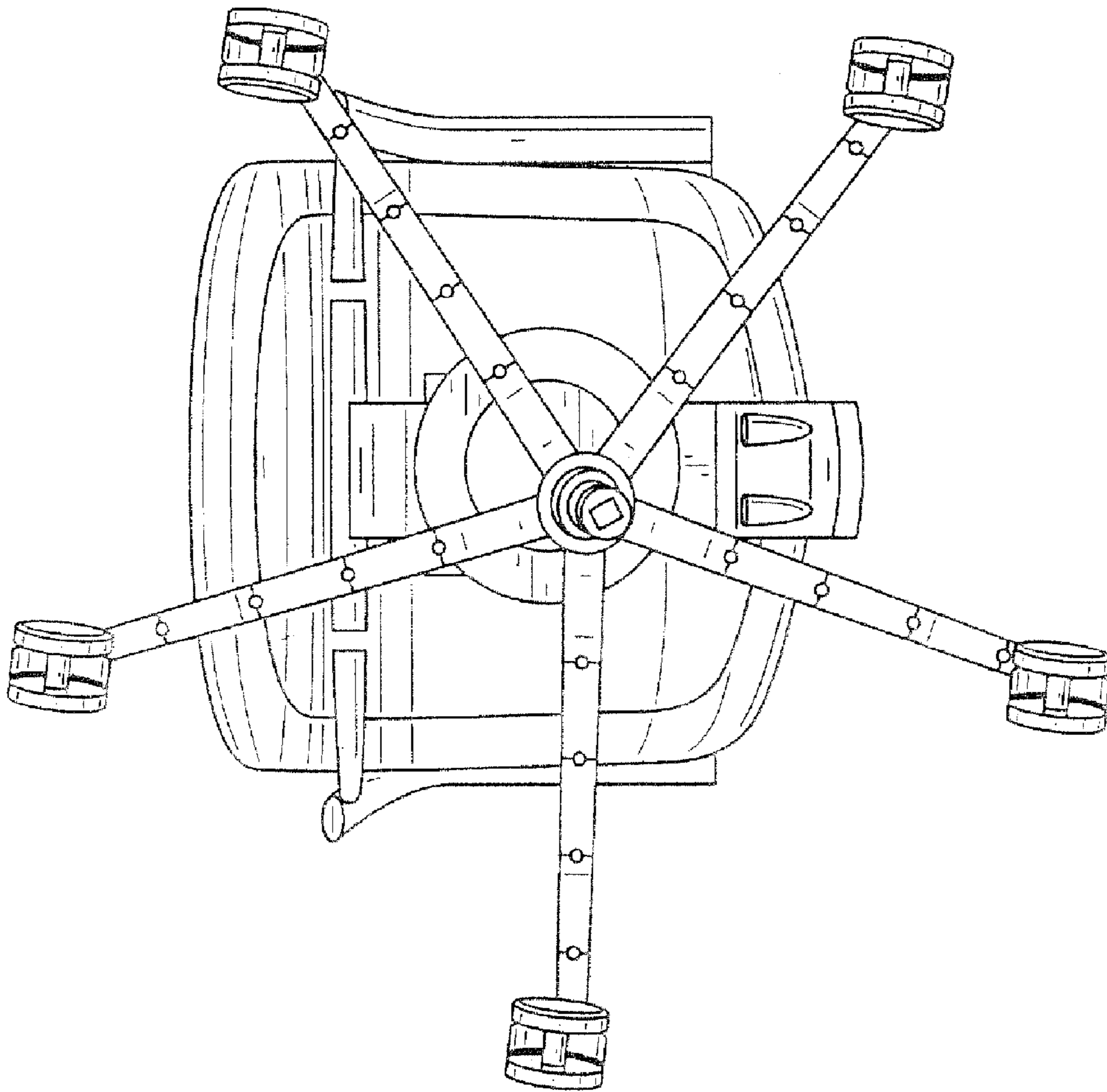


FIG. 14