



US00D560380S

(12) **United States Design Patent**
Mourgue

(10) **Patent No.:** **US D560,380 S**
(45) **Date of Patent:** **** Jan. 29, 2008**

(54) **SEAT**
(75) Inventor: **Pascal Mourgue**, Montreuil Sous Bois (FR)
(73) Assignee: **CINNA**, Serrieres de Briord (FR)
(**) Term: **14 Years**
(21) Appl. No.: **29/207,487**
(22) Filed: **Jun. 15, 2004**

D227,829 S * 7/1973 Klose D6/366
3,964,789 A * 6/1976 Platner et al. 297/451.4
D288,388 S * 2/1987 Ochsner D6/366
D333,058 S * 2/1993 Diffrient D6/498
D439,449 S * 3/2001 Klinkhammer D6/500
D486,314 S * 2/2004 Natuzzi D6/365
D516,827 S * 3/2006 Mourgue D6/366

* cited by examiner

Primary Examiner—Mimosa De

(74) *Attorney, Agent, or Firm*—Mathews, Shepherd, McKay & Bruneau, P.A.

(30) **Foreign Application Priority Data**
Jul. 1, 2004 (EP) 000 126 016
(51) **LOC (8) Cl.** **06-01**
(52) **U.S. Cl.** **D6/366**
(58) **Field of Classification Search** D6/334,
D6/335, 361, 364, 365, 366, 367, 374, 375,
D6/376, 498, 500–502; 297/411.2, 445.1,
297/452.21, 452.29, 452.32, 452.35, 451.4
See application file for complete search history.

(57) **CLAIM**

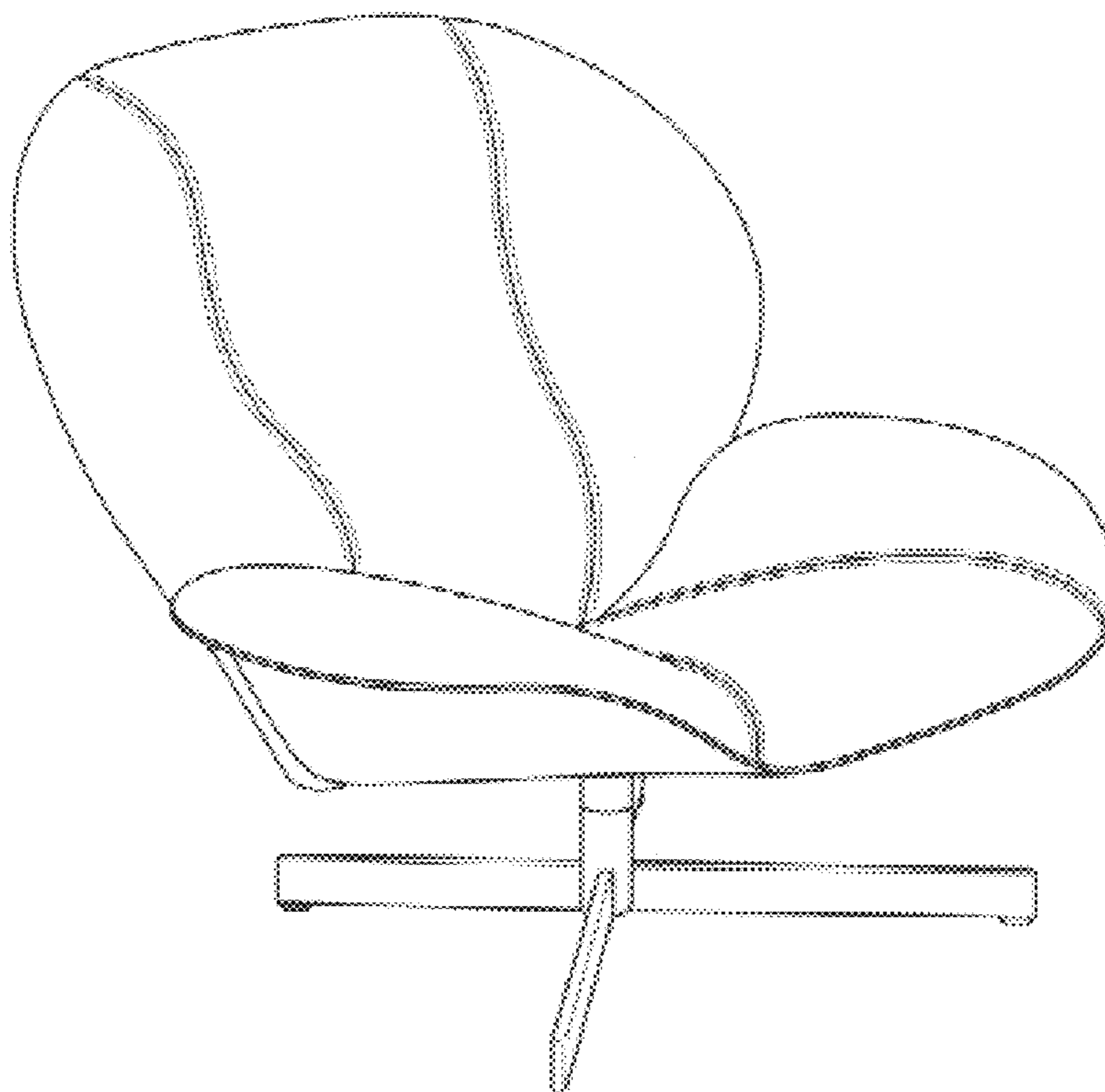
I claim, the ornamental design for a seat, as shown and described.

DESCRIPTION

FIG. 1 is a front elevational view, showing my new design for a seat.
FIG. 2 is a right side elevational view thereof.
FIG. 3 is a left side elevational view thereof.
FIG. 4 is a rear view thereof.
FIG. 5 is a front and side perspective thereof.
FIG. 6 is a rear and side perspective thereof.
FIG. 7 is a top plan view thereof; and,
FIG. 8 is a bottom plan view thereof.

(56) **References Cited**
U.S. PATENT DOCUMENTS
D195,401 S * 6/1963 Johnson D6/366
D196,429 S * 10/1963 Johnson D6/366
D196,719 S * 10/1963 Johnson D6/366
3,223,450 A * 12/1965 Pollock 297/451.4
D209,743 S * 1/1968 Mulhauser, Jr. D6/366

1 Claim, 8 Drawing Sheets



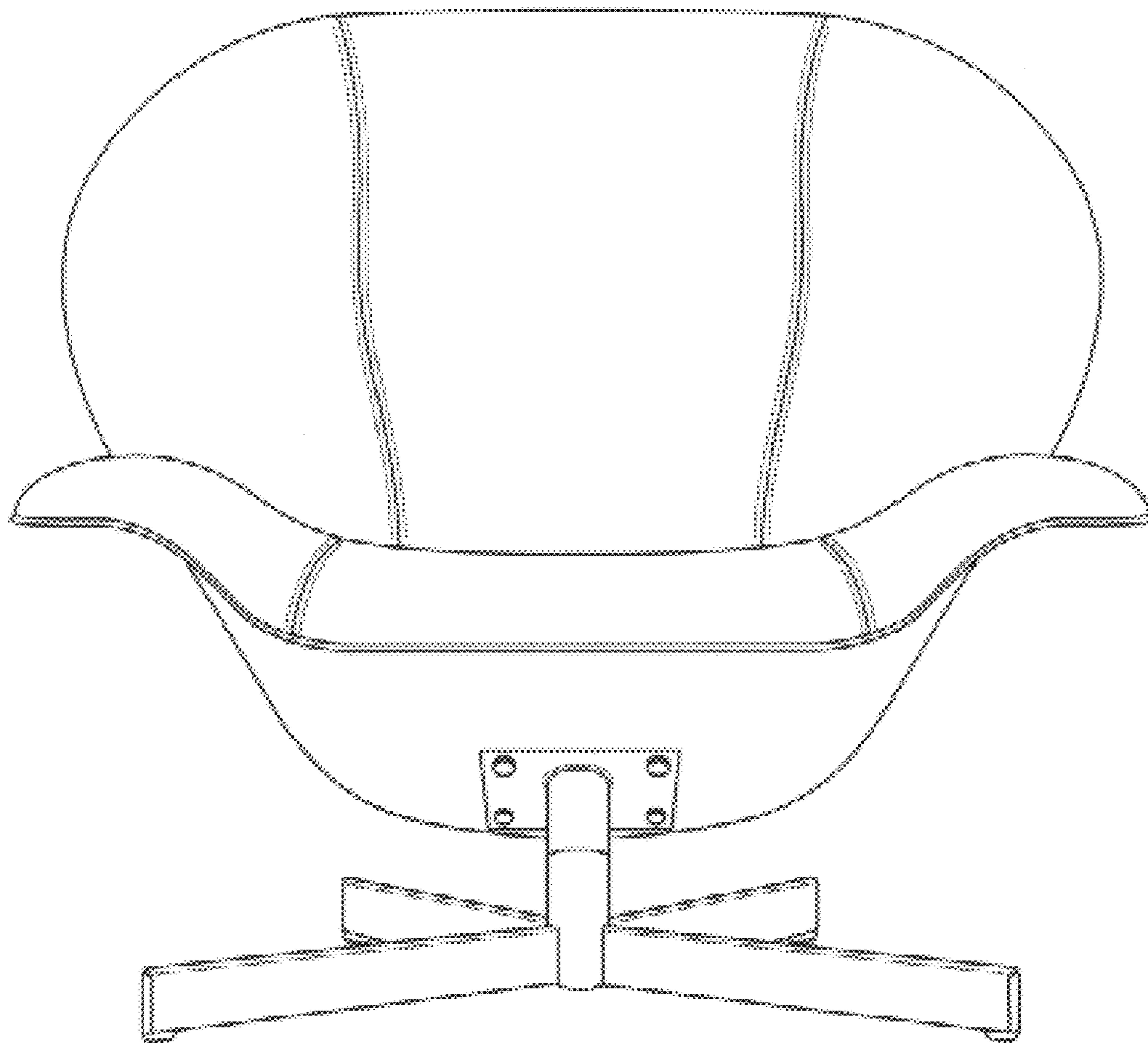


FIG. 1

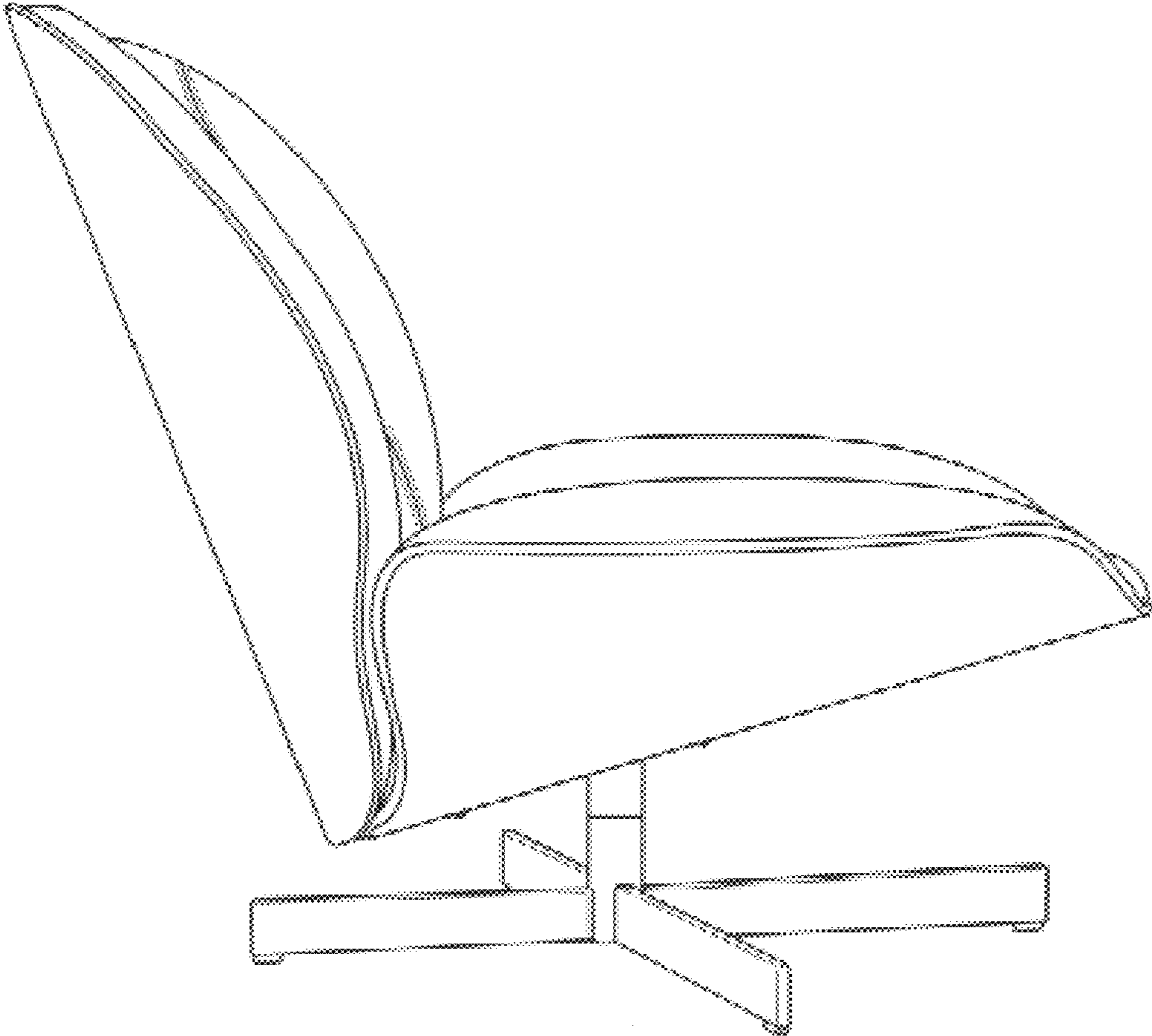


FIG. 2

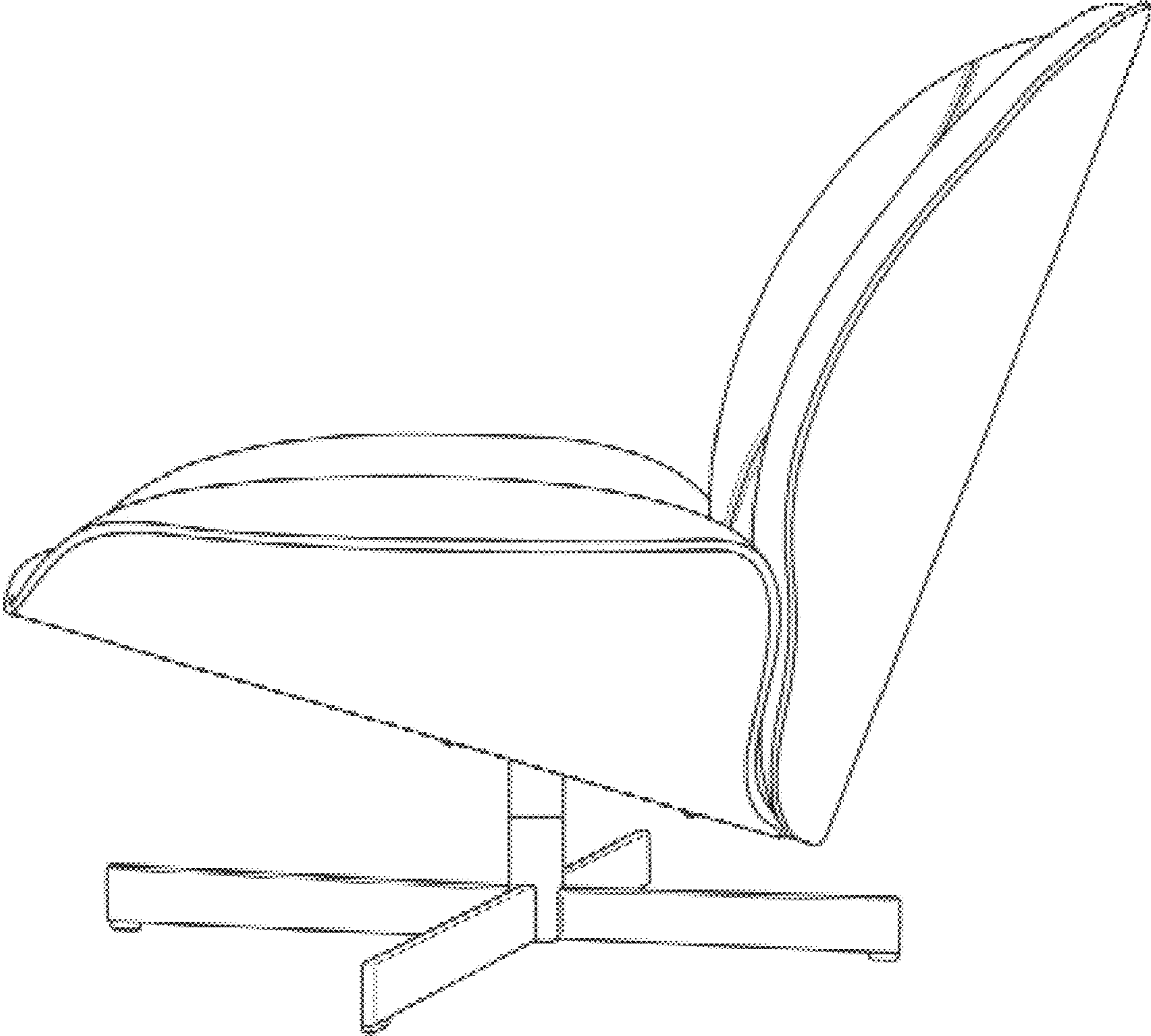


FIG. 3

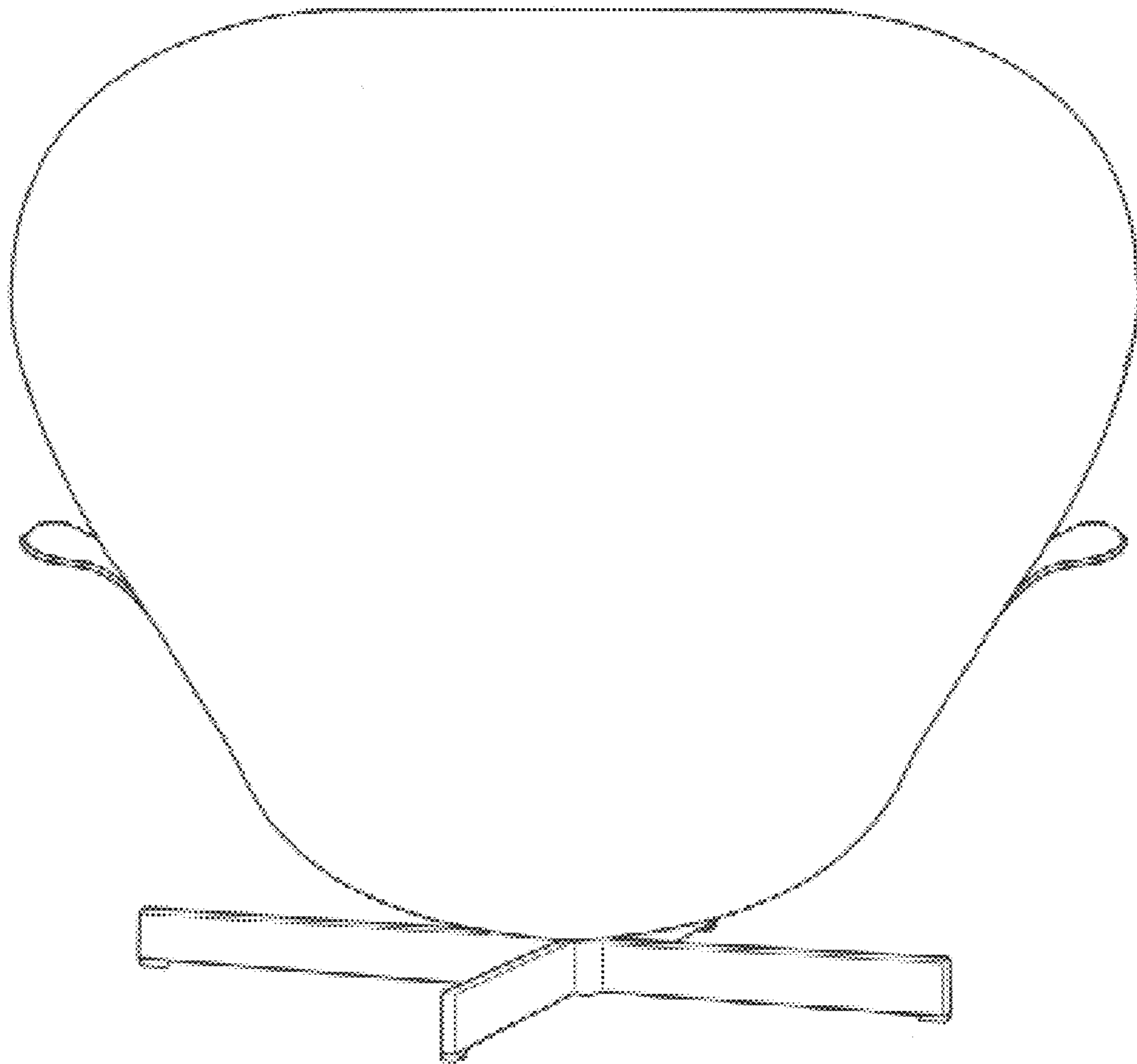


FIG. 4

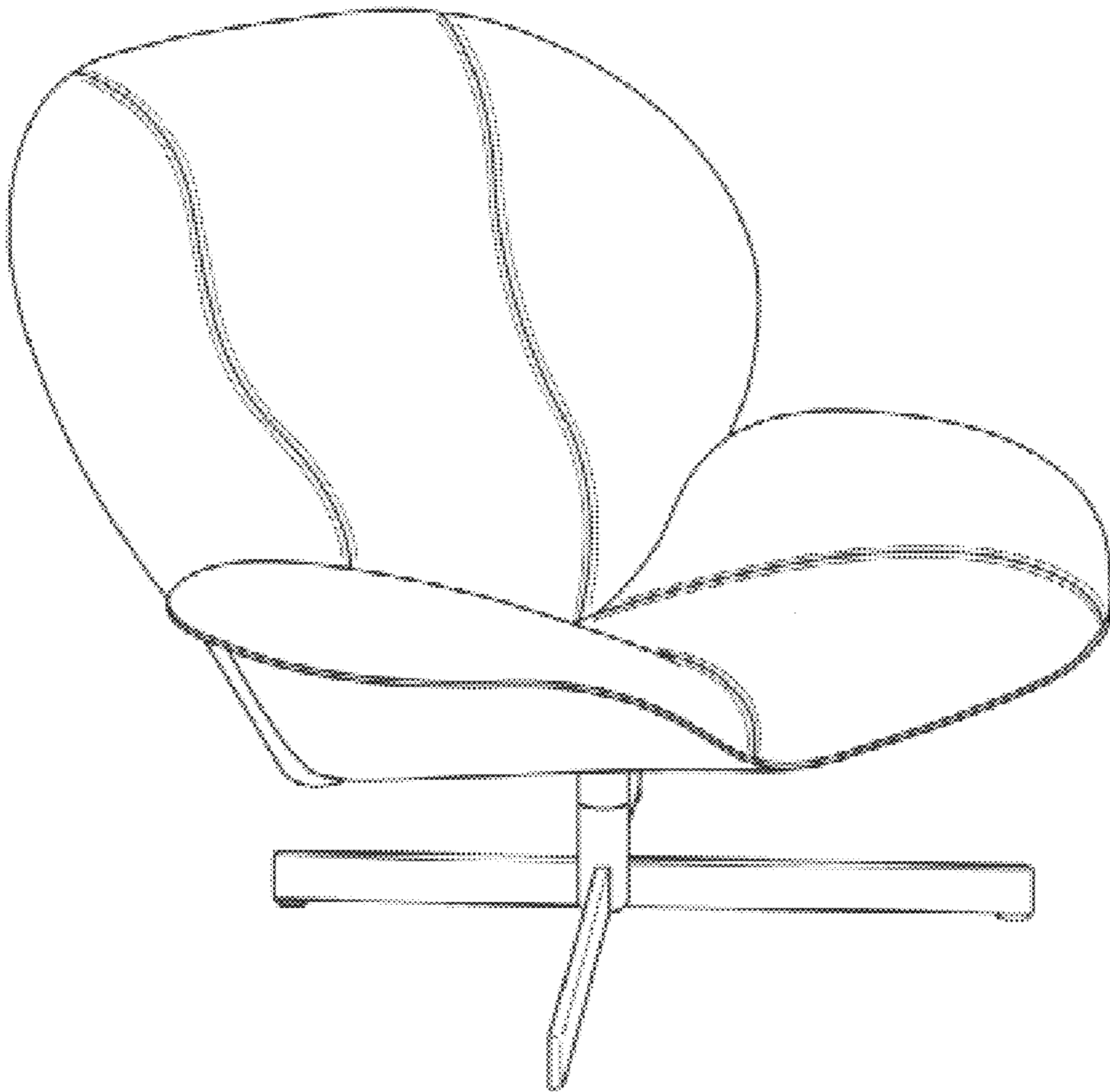


FIG. 5

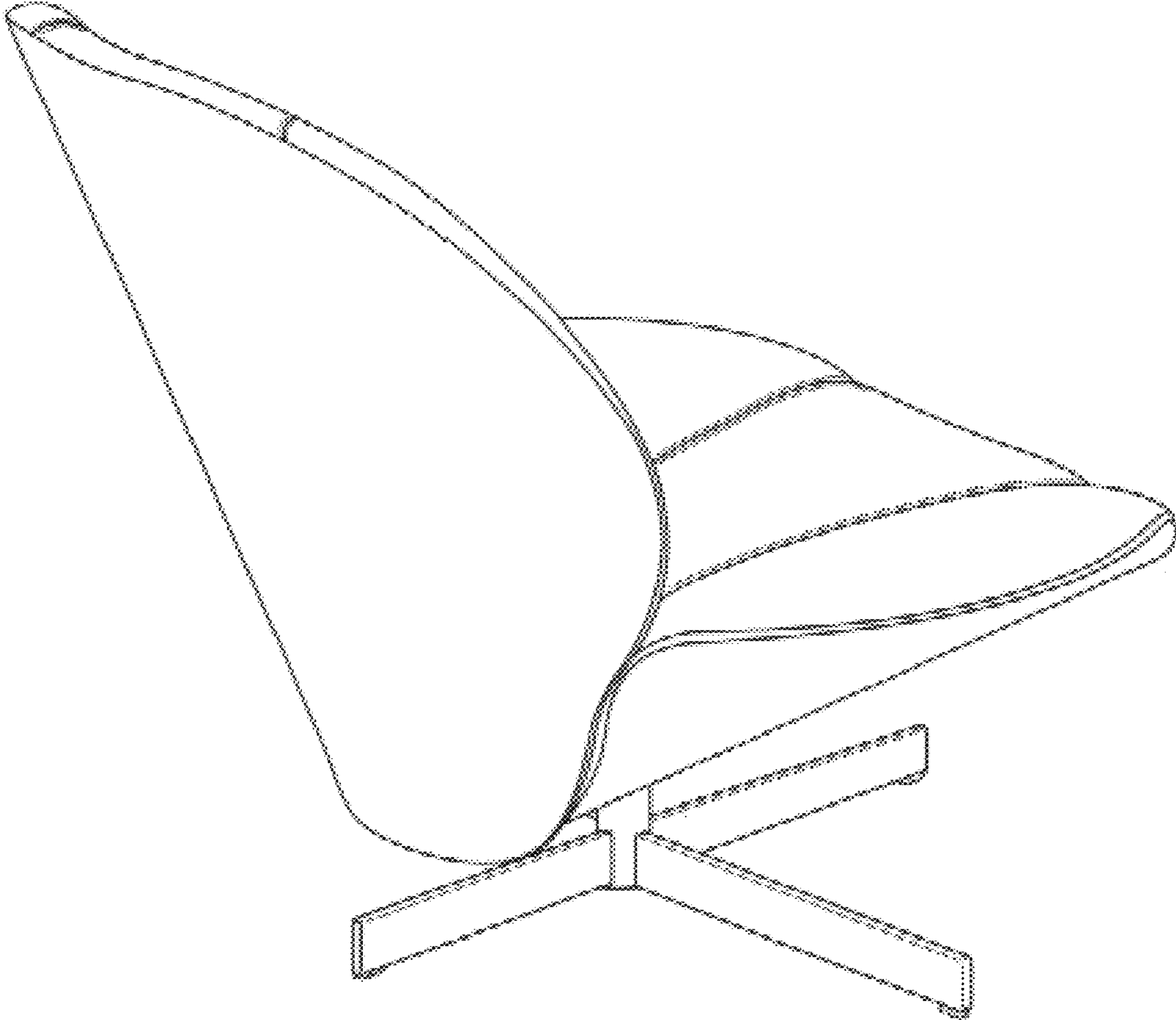


FIG. 6

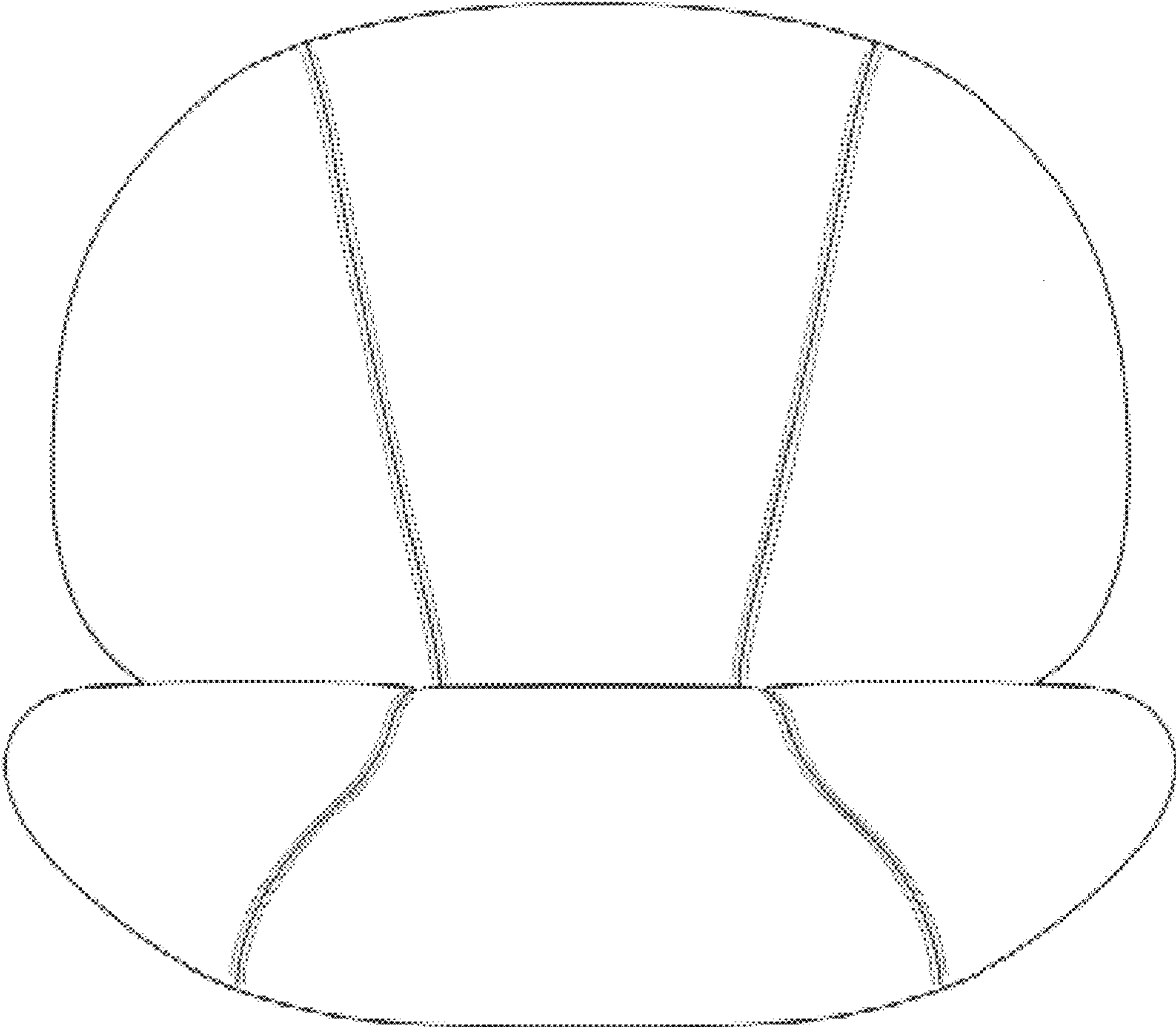


FIG. 7

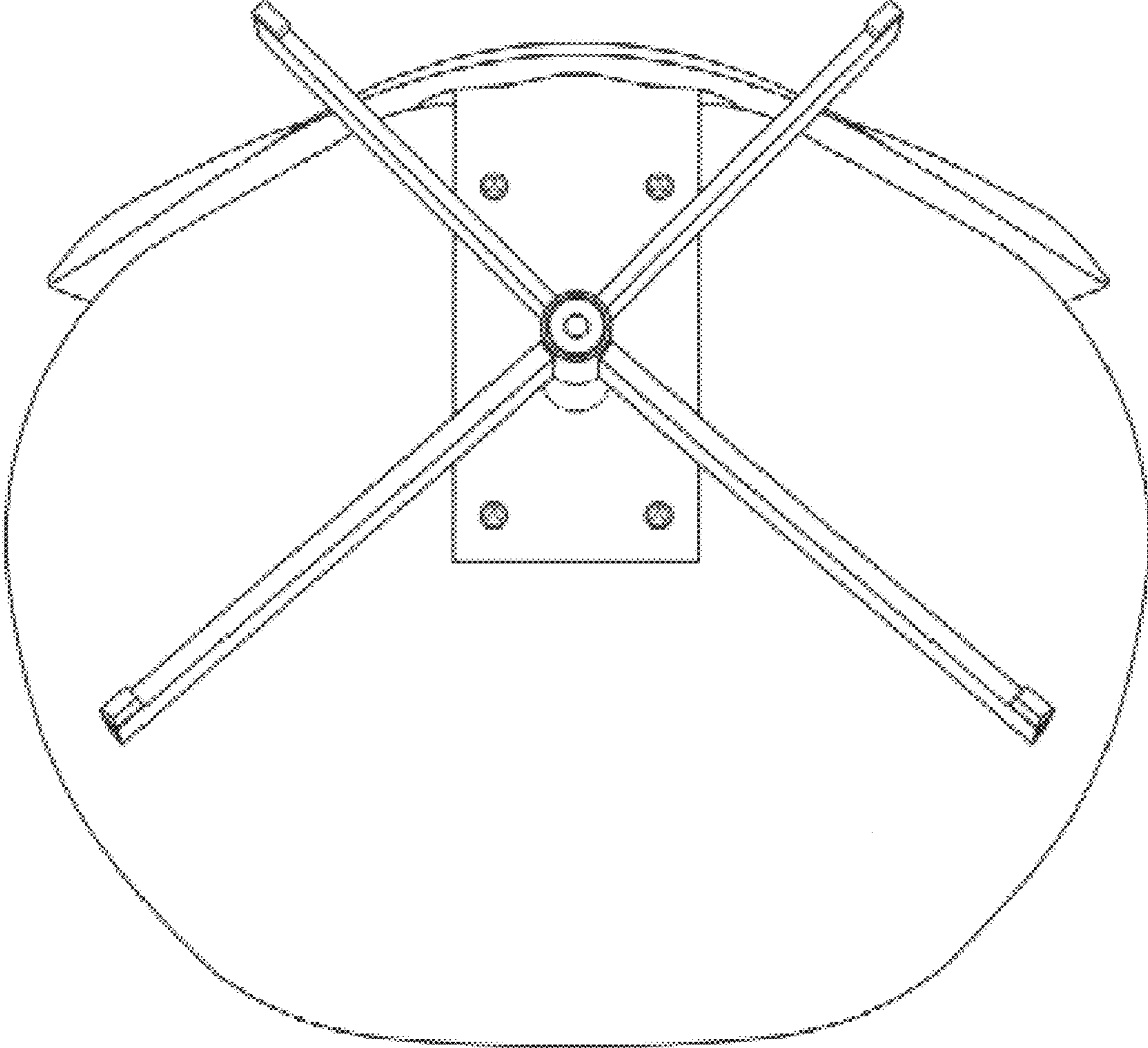


FIG. 8