

US00D560379S

(12) **United States Design Patent**  
**Fancelli**

(10) **Patent No.:** **US D560,379 S**  
(45) **Date of Patent:** **\*\* Jan. 29, 2008**

(54) **CHAIR**

(75) Inventor: **Paolo Fancelli**, Zurich (CH)

(73) Assignee: **Stoll Giroflex AG**, Koblenz (CH)

(\*\*) Term: **14 Years**

(21) Appl. No.: **29/227,132**

(22) Filed: **Apr. 7, 2005**

(30) **Foreign Application Priority Data**

Oct. 8, 2004 (WO) ..... DM/065 950

(51) **LOC (8) Cl.** ..... **06-01**

(52) **U.S. Cl.** ..... **D6/364**

(58) **Field of Classification Search** ..... D6/364,  
D6/336, 365-367, 379, 498, 500-502; 297/284.4,  
297/411.2, 411.27, 411.28, 411.36, 452.3,  
297/452.29

See application file for complete search history.

(56) **References Cited**

**U.S. PATENT DOCUMENTS**

D240,477 S \* 7/1976 Sklaroff ..... D6/366  
D243,372 S \* 2/1977 Denny et al. .... D6/364  
D265,531 S \* 7/1982 Bruhoff ..... D6/364

D532,619 S \* 11/2006 Galardo ..... D6/364

\* cited by examiner

*Primary Examiner*—Robert M. Spear

*Assistant Examiner*—Katrina A. Kile

(74) *Attorney, Agent, or Firm*—Greenblum & Bernstein,  
P.L.C.

(57) **CLAIM**

I claim the ornamental design for a chair, as shown and described.

**DESCRIPTION**

FIG. 1 is a front perspective view of a chair showing my new design;

FIG. 2 is a right side view thereof;

FIG. 3 is a front view thereof;

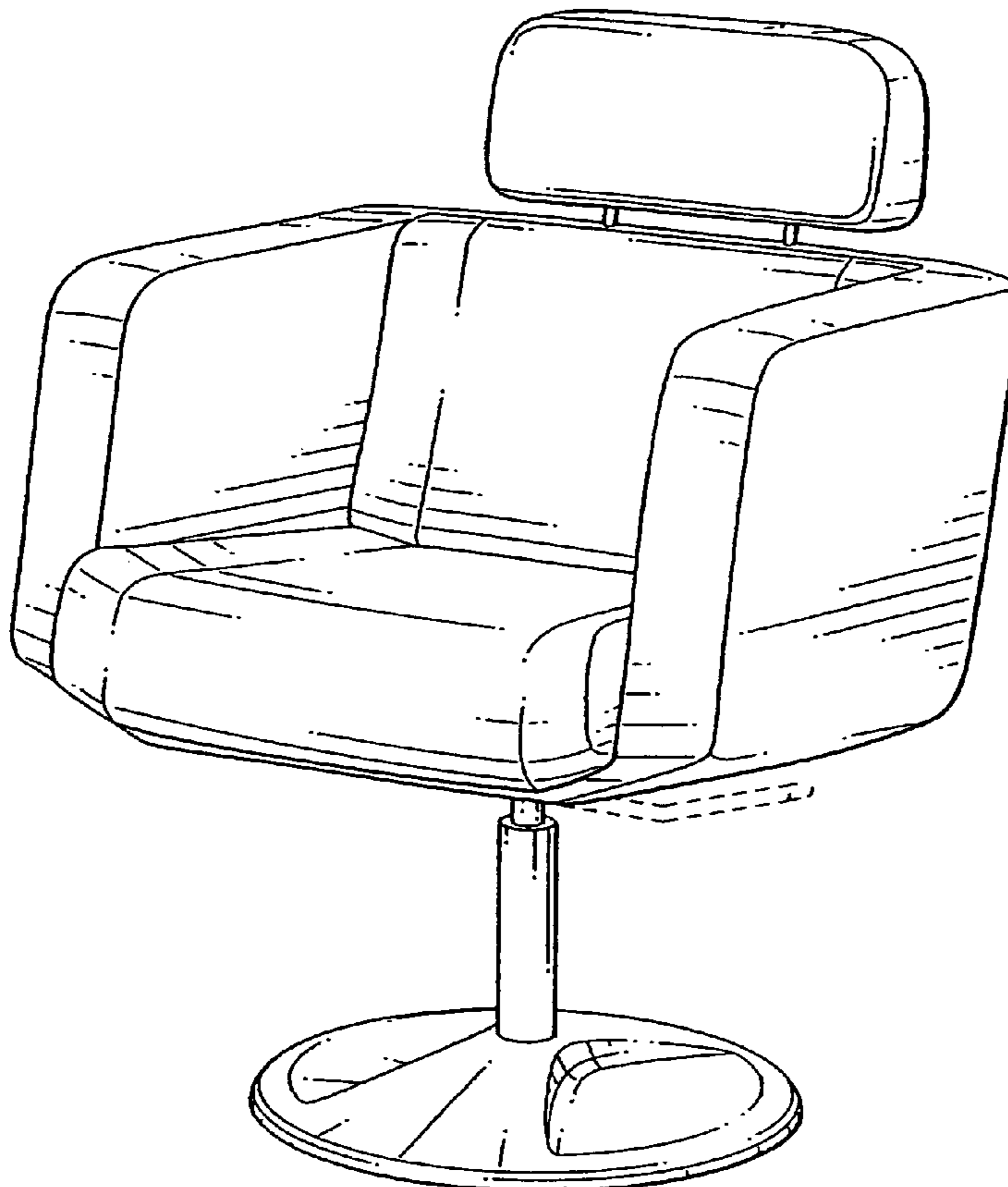
FIG. 4 is a rear view thereof;

FIG. 5 is a top view thereof; and,

FIG. 6 is a bottom view thereof.

The broken lines are for the purpose of illustrating environment and form no part of the claimed design. Any surfaces of the design not shown, including interior surfaces, form no part of the claimed invention.

**1 Claim, 6 Drawing Sheets**



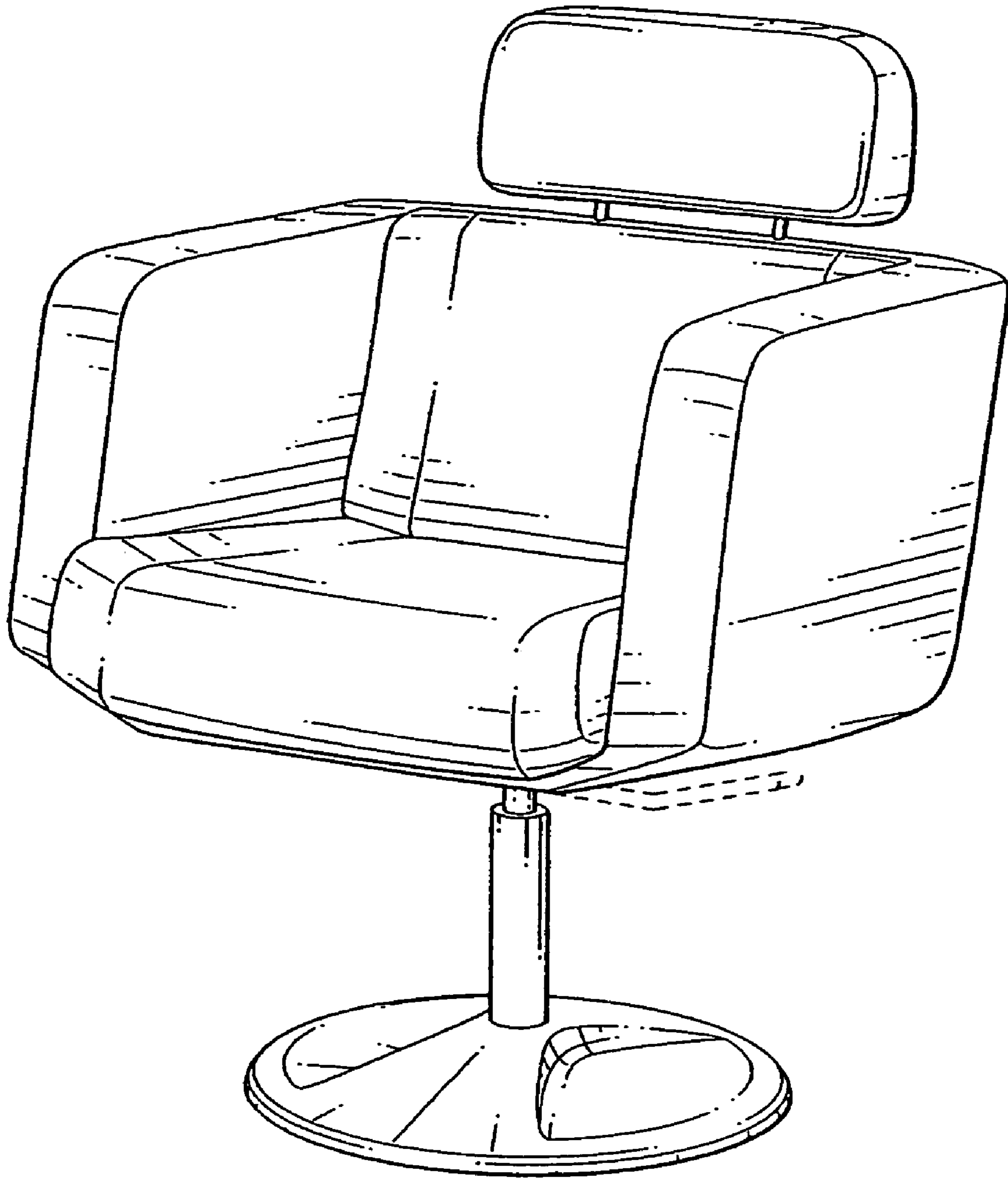


FIG. 1

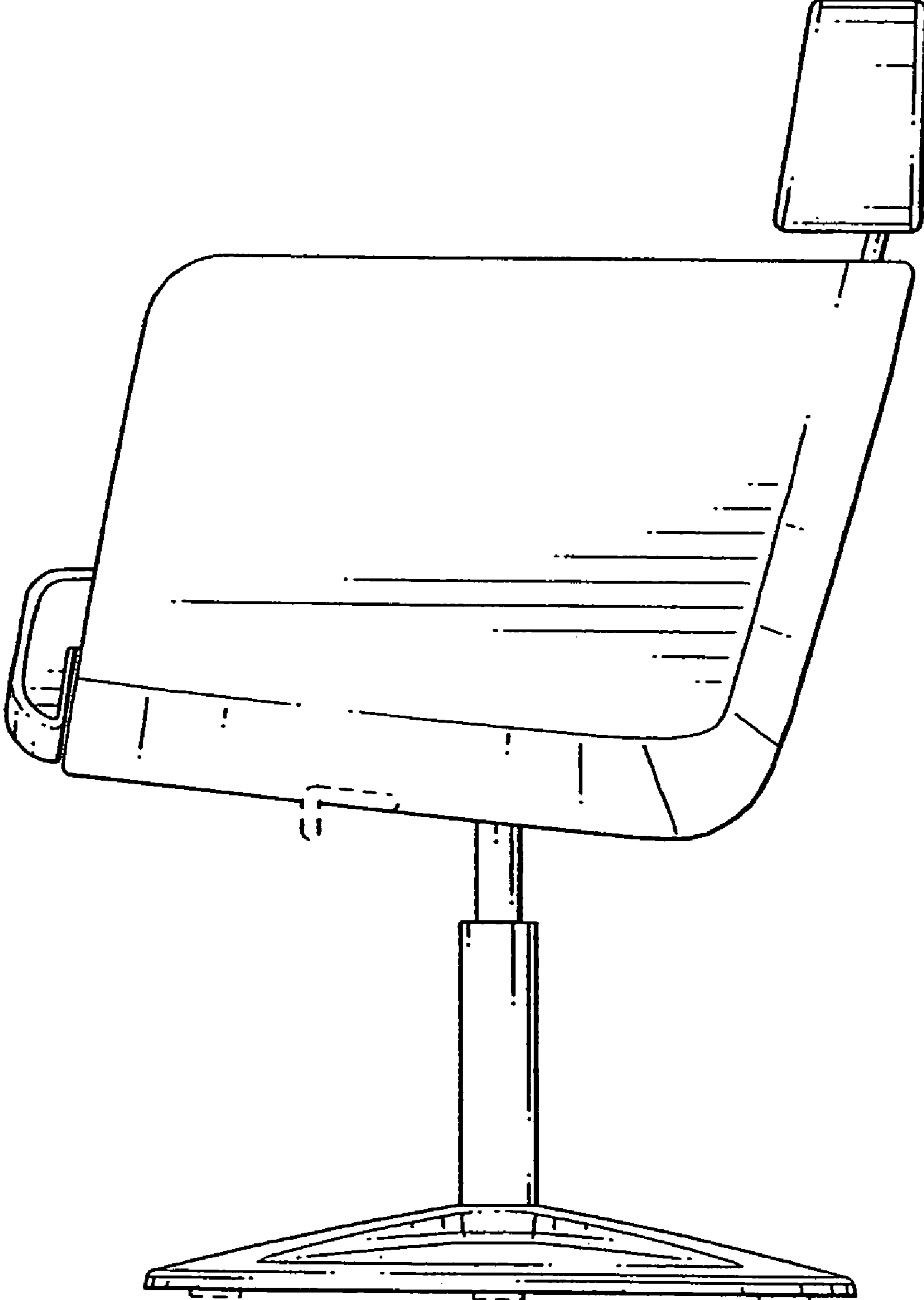


FIG. 2

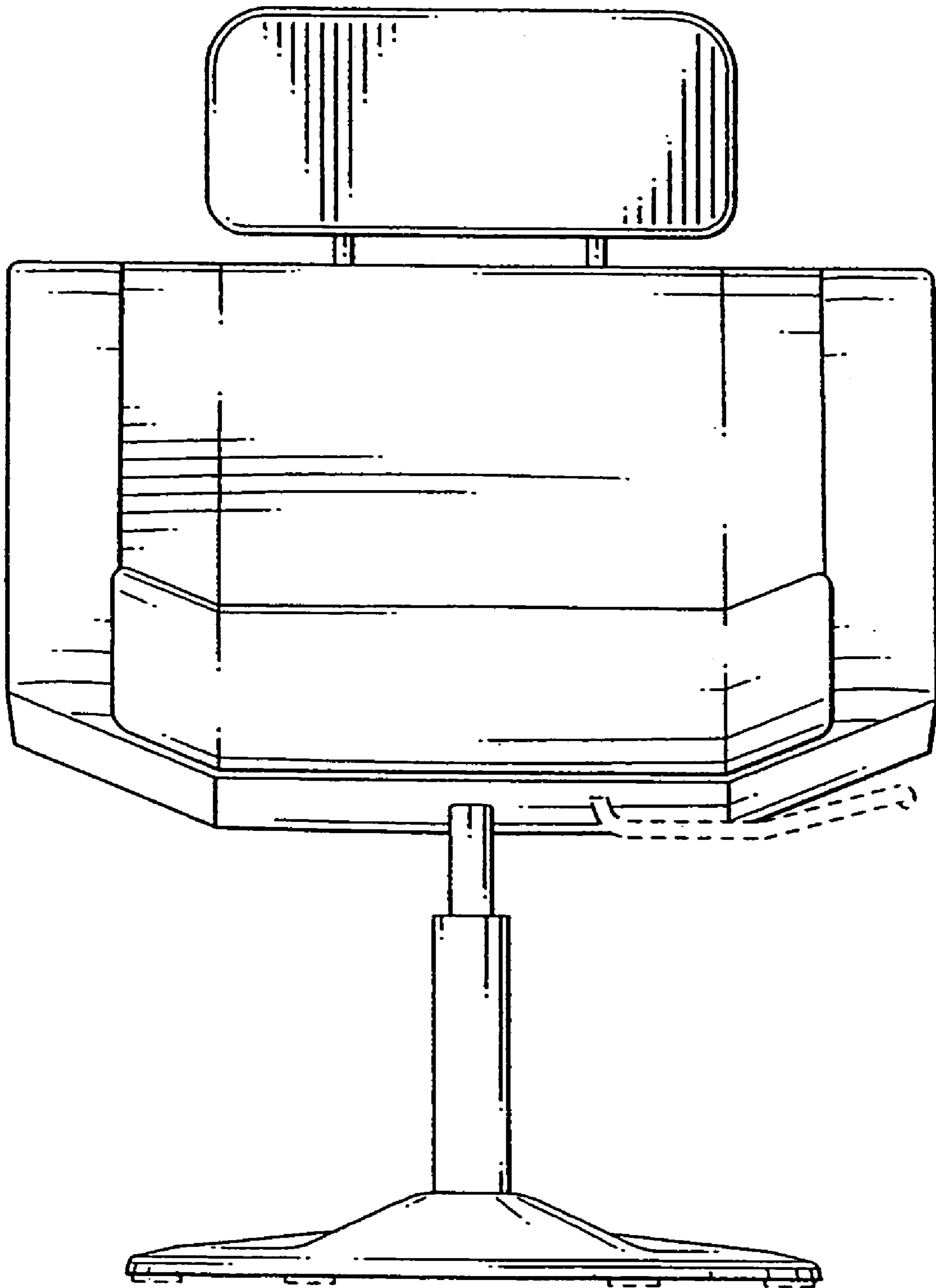


FIG. 3

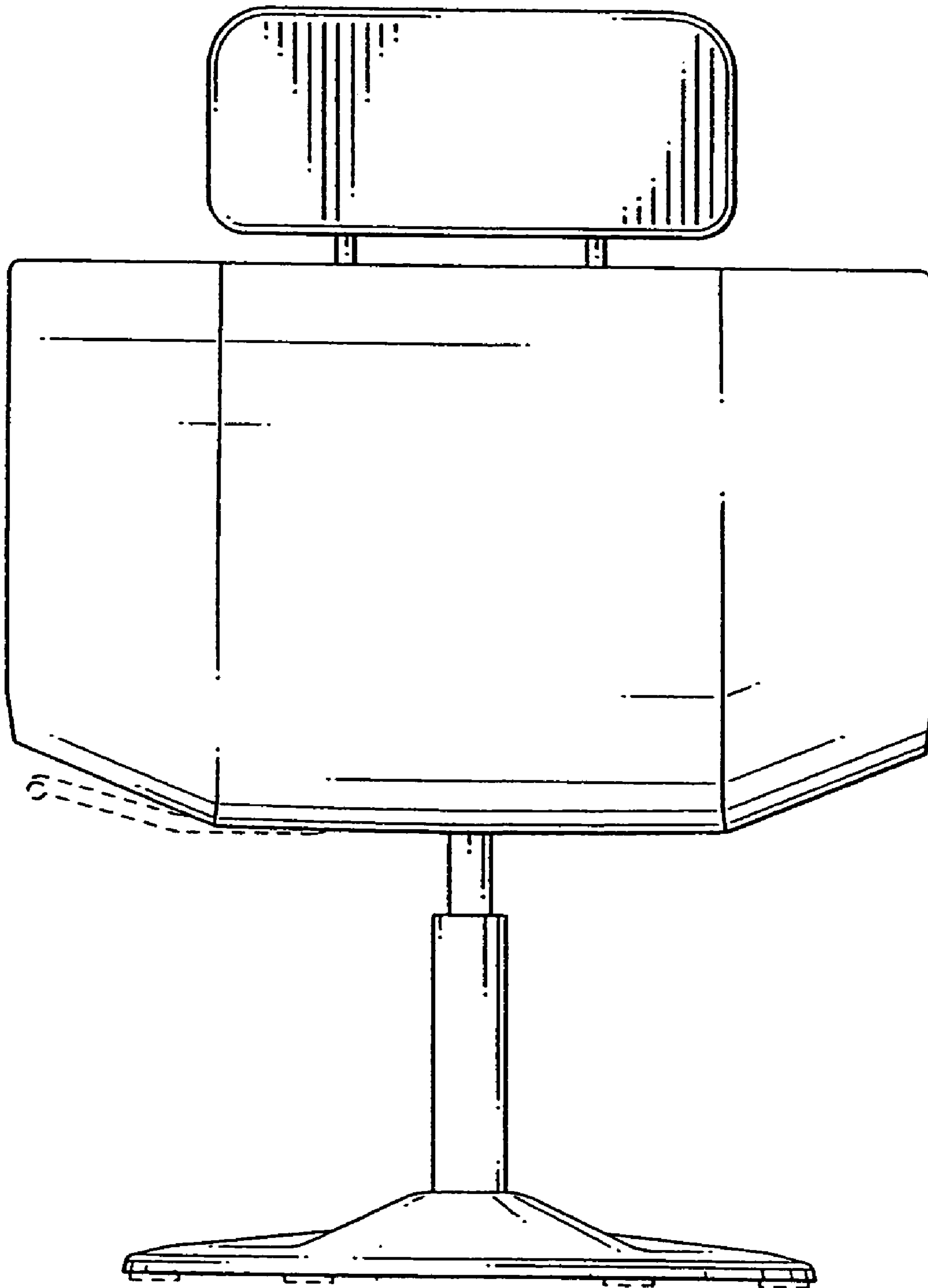


FIG. 4

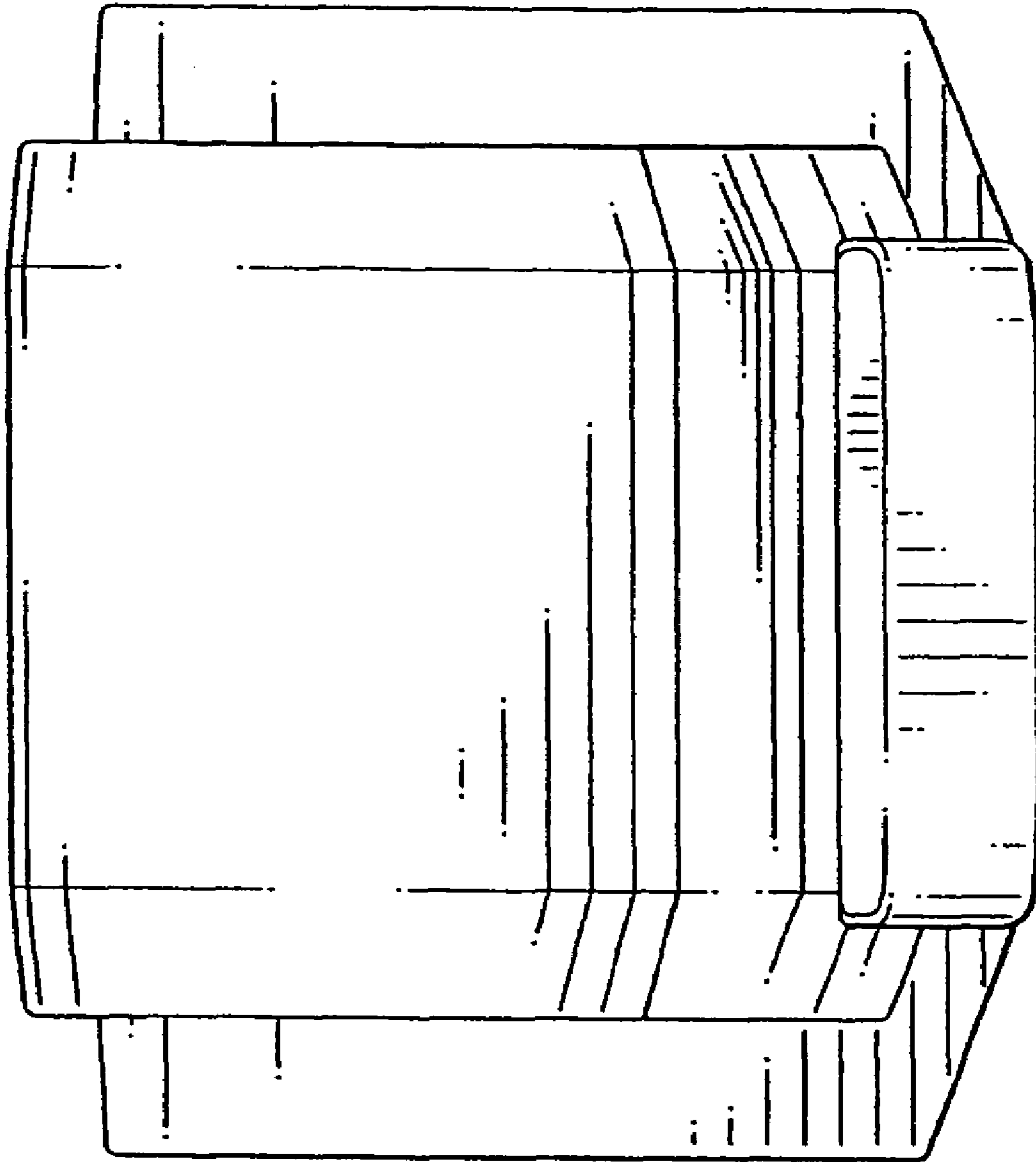


FIG. 5

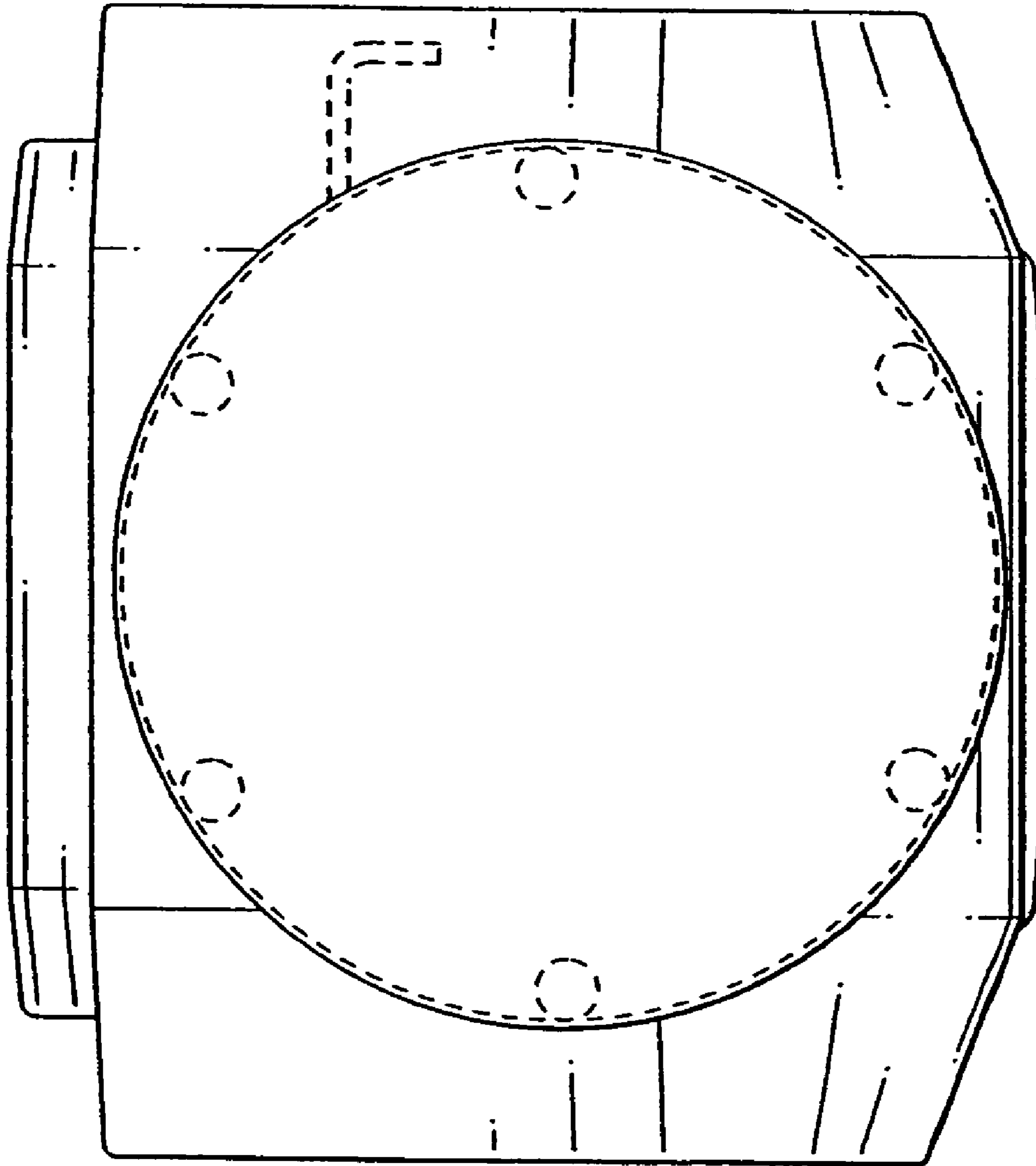


FIG. 6