

US00D560372S

(12) **United States Design Patent**
Lee

(10) **Patent No.:** **US D560,372 S**
(45) **Date of Patent:** **** Jan. 29, 2008**

(54) **HANGER**

(76) **Inventor:** **In Y. Lee**, c/o SM Signature, Inc. 390
5th Ave., Suite 802, New York, NY
(US) 10018

(**) **Term:** **14 Years**

(21) **Appl. No.:** **29/276,830**

(22) **Filed:** **Feb. 7, 2007**

(51) **LOC (8) Cl.** **06-08**

(52) **U.S. Cl.** **D6/315; D6/328**

(58) **Field of Classification Search** D6/315,
D6/320, 323, 328; D8/349, 354, 367; 211/13.1,
211/85.3; 223/85-98

See application file for complete search history.

(56) **References Cited**

U.S. PATENT DOCUMENTS

D247,084 S *	1/1978	De Mascole et al.	D6/315
D254,644 S *	4/1980	Abramowitz	D6/315
D259,164 S *	5/1981	Abramowitz	D6/315
D264,789 S *	6/1982	Zyla et al.	D6/315
D275,437 S *	9/1984	Mize	D6/315
D311,458 S *	10/1990	La Croix	D6/315
D321,288 S *	11/1991	Nichol, Jr.	D6/315
D326,365 S *	5/1992	Stevens et al.	D6/315

D366,569 S *	1/1996	Coles et al.	D6/315
D377,868 S *	2/1997	Charlet	D6/315
D410,793 S *	6/1999	Gouldson	D6/315
D541,056 S *	4/2007	Magwood	D6/315
D545,069 S *	6/2007	Roberson	D6/315

* cited by examiner

Primary Examiner—Stella M. Reid

Assistant Examiner—Shanda C. Hill

(74) *Attorney, Agent, or Firm*—Notaro & Michalos PC

(57) **CLAIM**

The ornamental design for a hanger, as shown and described.

DESCRIPTION

FIG. 1 is a front view of a hanger showing my new design;

FIG. 2 is a rear view thereof;

FIG. 3 is a left end view thereof;

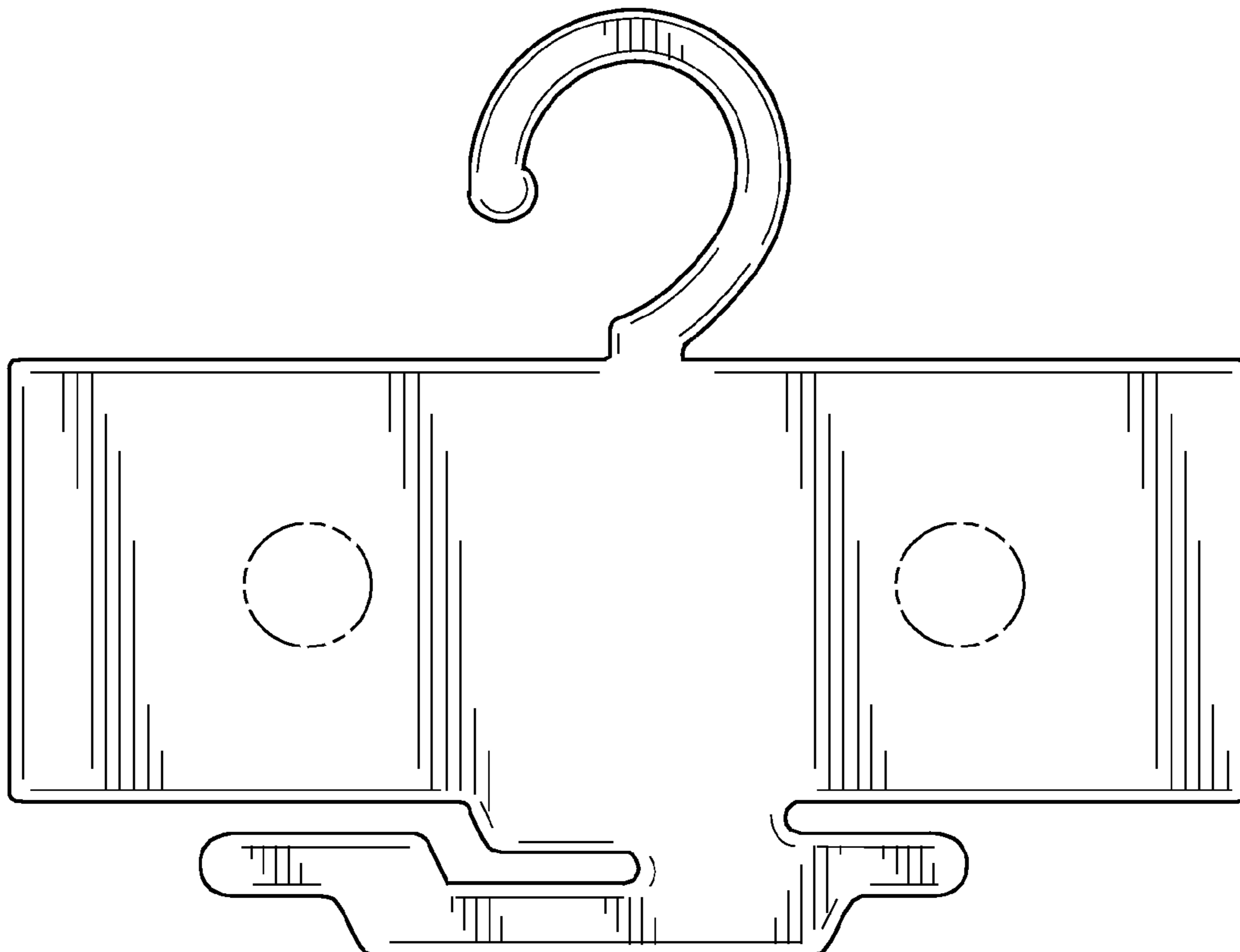
FIG. 4 is a right end view thereof;

FIG. 5 is a top plan thereof; and,

FIG. 6 is a bottom plan thereof.

The broken lines shown in the drawing disclosure are for illustrative purposes only and form no part of the claimed design.

1 Claim, 3 Drawing Sheets



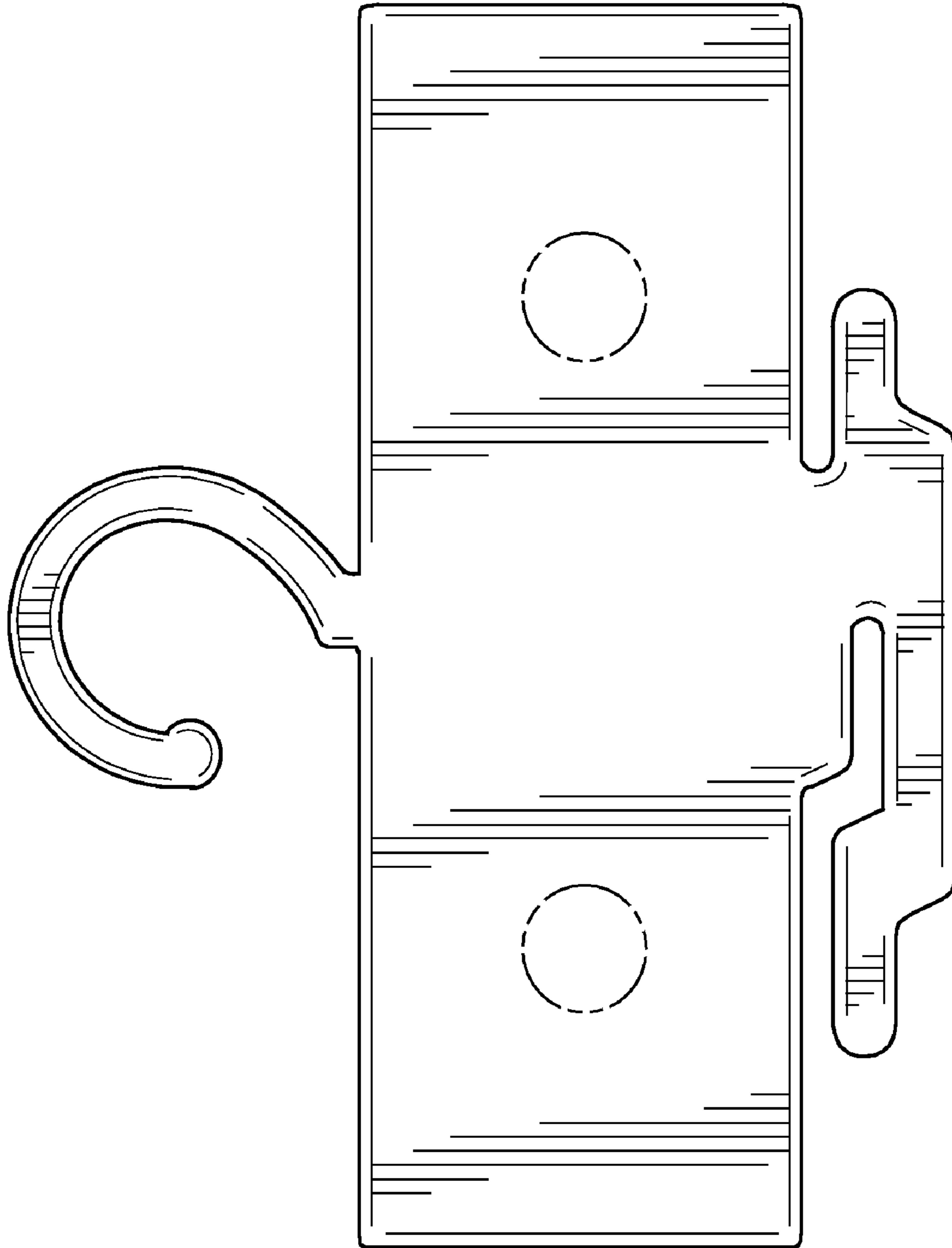


FIG. 1

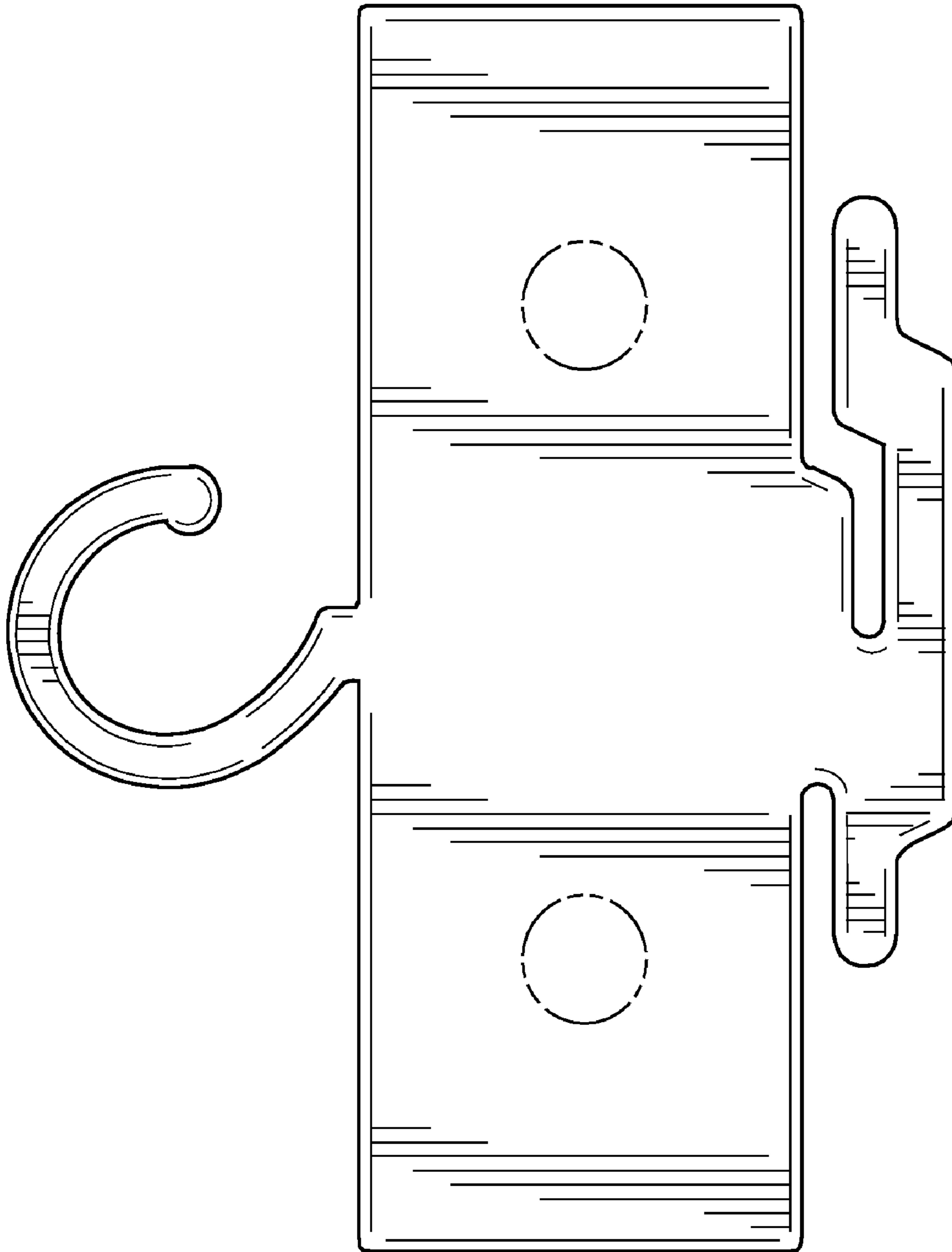


FIG. 2

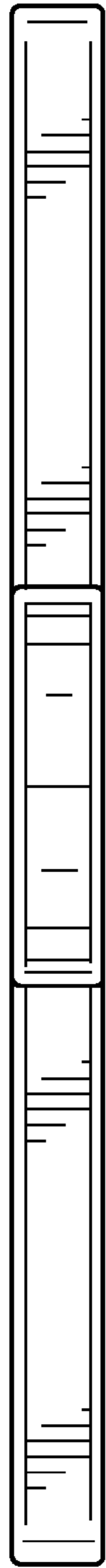


FIG. 5

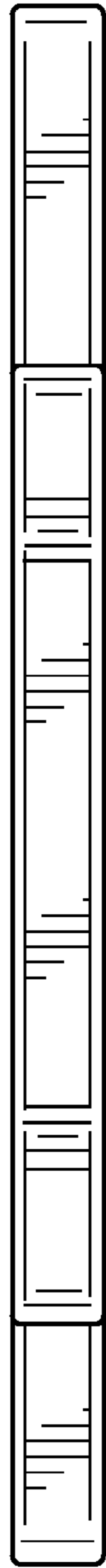


FIG. 6

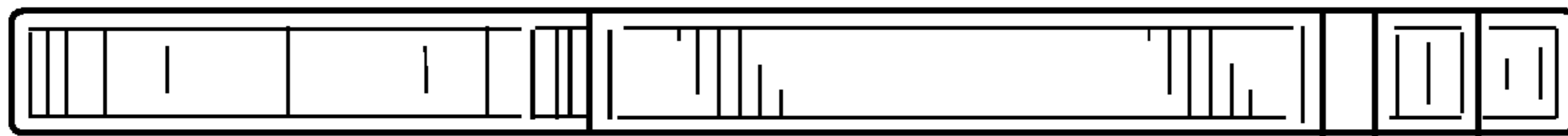


FIG. 4



FIG. 3