



US00D560364S

(12) **United States Design Patent**
Barnes et al.

(10) **Patent No.: US D560,364 S**
(45) **Date of Patent: ** Jan. 29, 2008**

(54) **SNOW BRUSH**

D548,976 S * 8/2007 Hay D4/118

(75) Inventors: **Jimmie Barnes**, Emporia, KS (US);
Paul Svoboda, Emporia, KS (US)

* cited by examiner

(73) Assignee: **Hopkins Manufacturing Corporation**,
Emporia, KS (US)

Primary Examiner—Cathron Brooks
Assistant Examiner—Lavone D. Tabor
(74) *Attorney, Agent, or Firm*—George R. McGuire; David
L. Nocilly; Bond, Schoeneck & King, PLLC

(**) Term: **14 Years**

(57) **CLAIM**

(21) Appl. No.: **29/248,515**

The ornamental design for a snow brush, as shown and
described.

(22) Filed: **Aug. 18, 2006**

(51) **LOC (8) Cl.** **04-01**

(52) **U.S. Cl.** **D4/118**

(58) **Field of Classification Search** D4/116,
D4/118, 132, 134, 138; D32/42, 46, 49;
15/111, 117, 143.1, 159.1, 160, 236.01, 236.02,
15/236.05, 236.08; 16/430

See application file for complete search history.

DESCRIPTION

FIG. 1 is a perspective view of a new and ornamental design
for a snow brush with a handle shown in phantom for
environmental purposes only and forming no part of the
claimed invention;

FIG. 2 is a top plan view thereof;

FIG. 3 is a first side elevation view thereof;

FIG. 4 is a bottom plan view thereof;

FIG. 5 is a second side elevation view thereof;

FIG. 6 is a front end elevation view thereof; and,

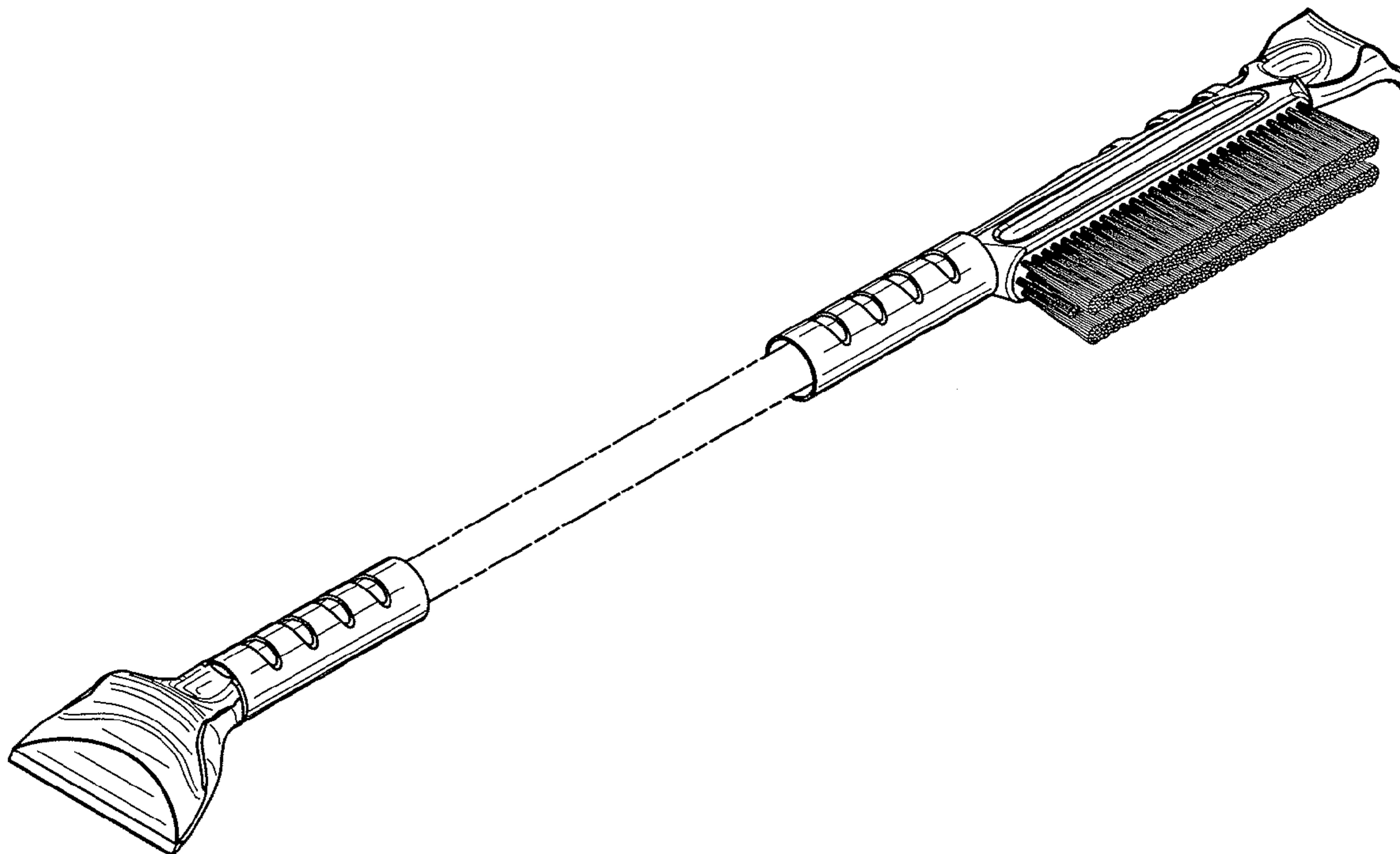
FIG. 7 is a rear end elevation thereof.

(56) **References Cited**

U.S. PATENT DOCUMENTS

- D242,748 S * 12/1976 Graham et al. D4/118
- 6,243,906 B1 * 6/2001 Holliday et al. 15/111
- D485,032 S * 1/2004 Anderson et al. D32/42
- D497,483 S * 10/2004 Bock D4/118
- 6,990,705 B1 * 1/2006 Schouten et al. 15/111

1 Claim, 2 Drawing Sheets



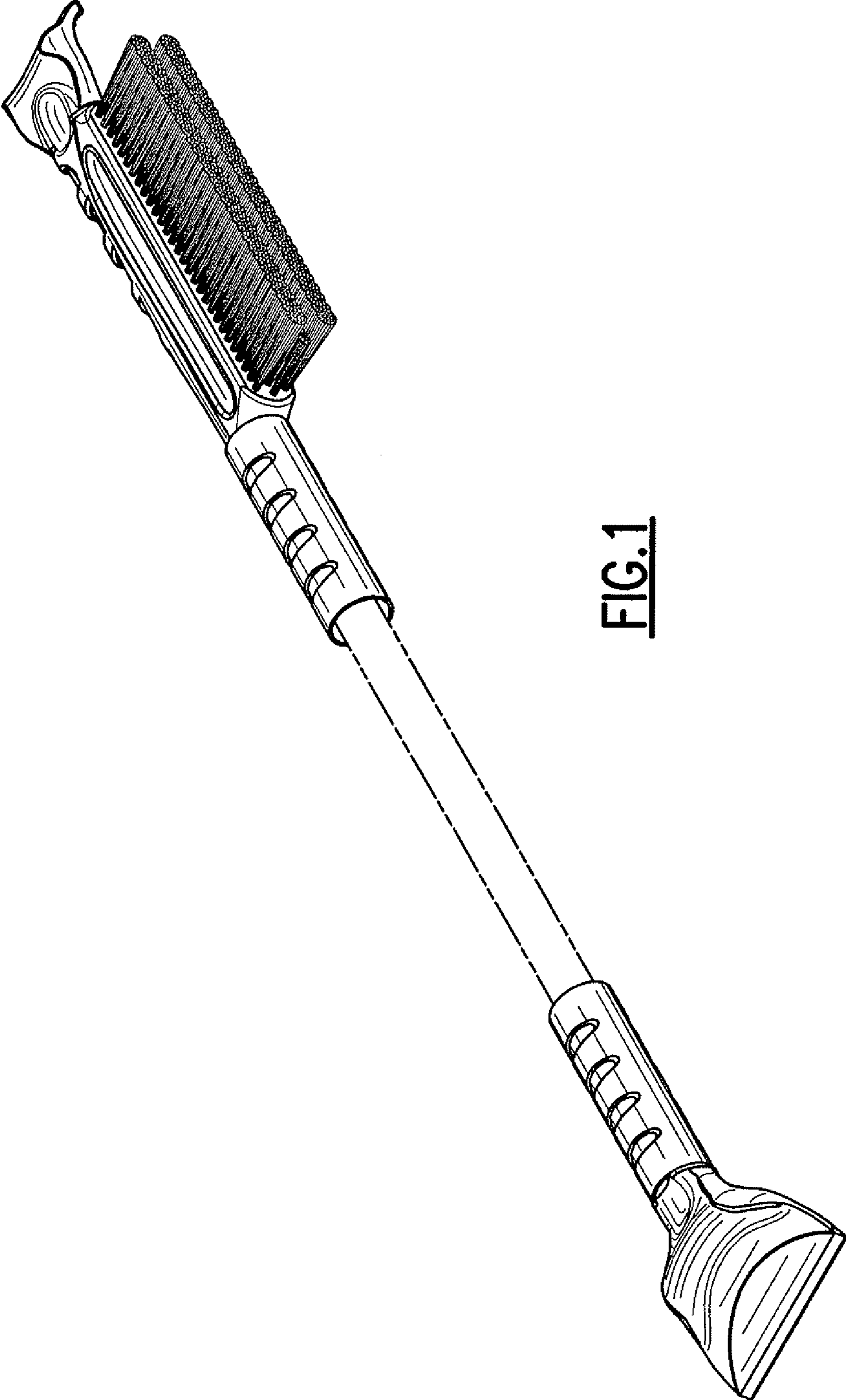


FIG. 1



FIG. 7

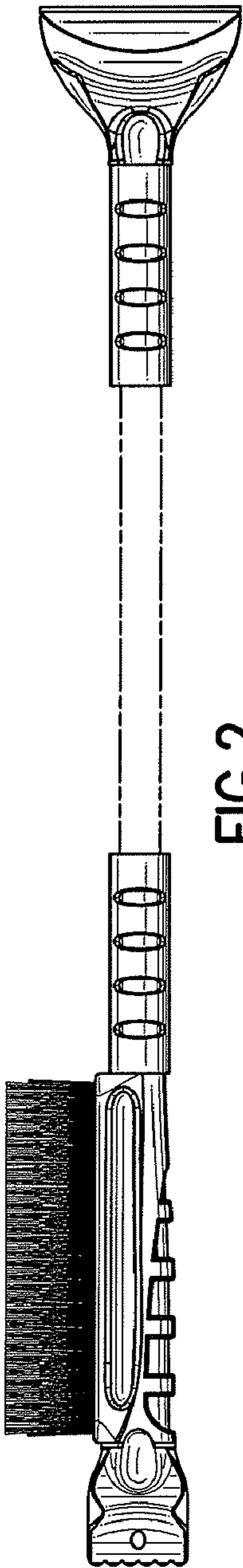


FIG. 2



FIG. 3

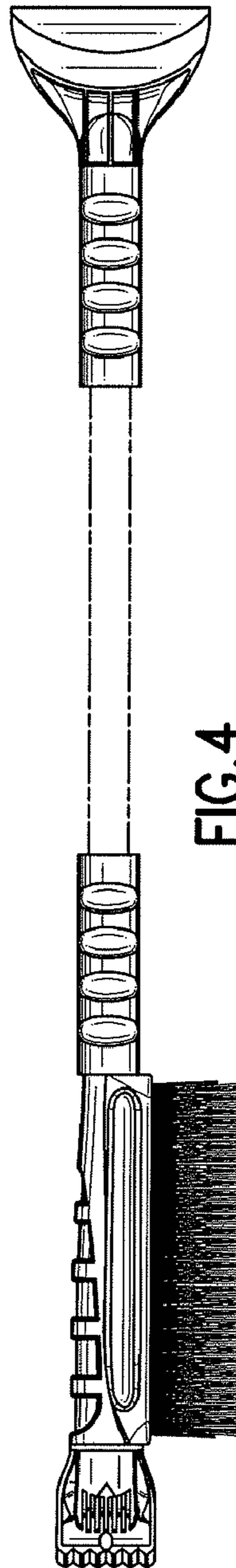


FIG. 4



FIG. 5



FIG. 6