



US00D560361S

(12) **United States Design Patent**  
**Huang**

(10) **Patent No.:** **US D560,361 S**

(45) **Date of Patent:** **\*\* Jan. 29, 2008**

(54) **BRIEF CASE**

(76) **Inventor:** **Jin Huang**, No. 16, Jin Long Road, Tao Yuan District, Ninghai, Zhejiang Province (CN) 315600

(\*\*) **Term:** **14 Years**

(21) **Appl. No.:** **29/264,304**

(22) **Filed:** **Aug. 9, 2006**

(51) **LOC (8) Cl.** ..... **03-01**

(52) **U.S. Cl.** ..... **D3/301; D3/900**

(58) **Field of Classification Search** ..... D3/201, D3/203.1, 203.6–203.8, 205, 273–274, 284, D3/289, 301, 900; D14/315, 440; D19/26–27; 206/320, 576; 190/100–101, 109–111, 119–120, 190/900, 903; 224/926, 930, 931  
See application file for complete search history.

(56) **References Cited**

**U.S. PATENT DOCUMENTS**

- D116,977 S \* 10/1939 Bellau ..... D3/301
- 2,556,066 A \* 6/1951 Cline ..... 190/111
- 2,717,620 A \* 9/1955 Renz ..... 190/119
- D322,788 S \* 12/1991 Jayez ..... D14/250
- 5,105,338 A \* 4/1992 Held ..... 361/683
- D352,604 S \* 11/1994 Johnson ..... D3/303
- D358,935 S \* 6/1995 Chang et al. .... D3/289
- D382,166 S \* 8/1997 Alves et al. .... D6/634
- D383,492 S \* 9/1997 Siemon et al. .... D19/26
- 5,857,568 A \* 1/1999 Speirs ..... 206/320
- D407,432 S \* 3/1999 Tell ..... D19/26
- D414,935 S \* 10/1999 Bould ..... D3/301
- 5,960,952 A \* 10/1999 Chen ..... 206/320
- 6,026,961 A \* 2/2000 McCarthy et al. .... 206/576
- D432,311 S \* 10/2000 Weinreb ..... D3/319
- D434,439 S \* 11/2000 Coleman ..... D19/27

- D434,803 S \* 12/2000 Eskandry ..... D19/78
- D434,901 S \* 12/2000 Eskandry ..... D3/284
- D500,204 S \* 12/2004 Hillman ..... D3/301
- D506,609 S \* 6/2005 Hillman ..... D3/289
- 2004/0134813 A1 \* 7/2004 Domotor ..... 206/320
- 2006/0060485 A1 \* 3/2006 Picot et al. .... 206/320

\* cited by examiner

*Primary Examiner*—Philip S. Hyder  
*Assistant Examiner*—RoseLynne (Ulm) Cody

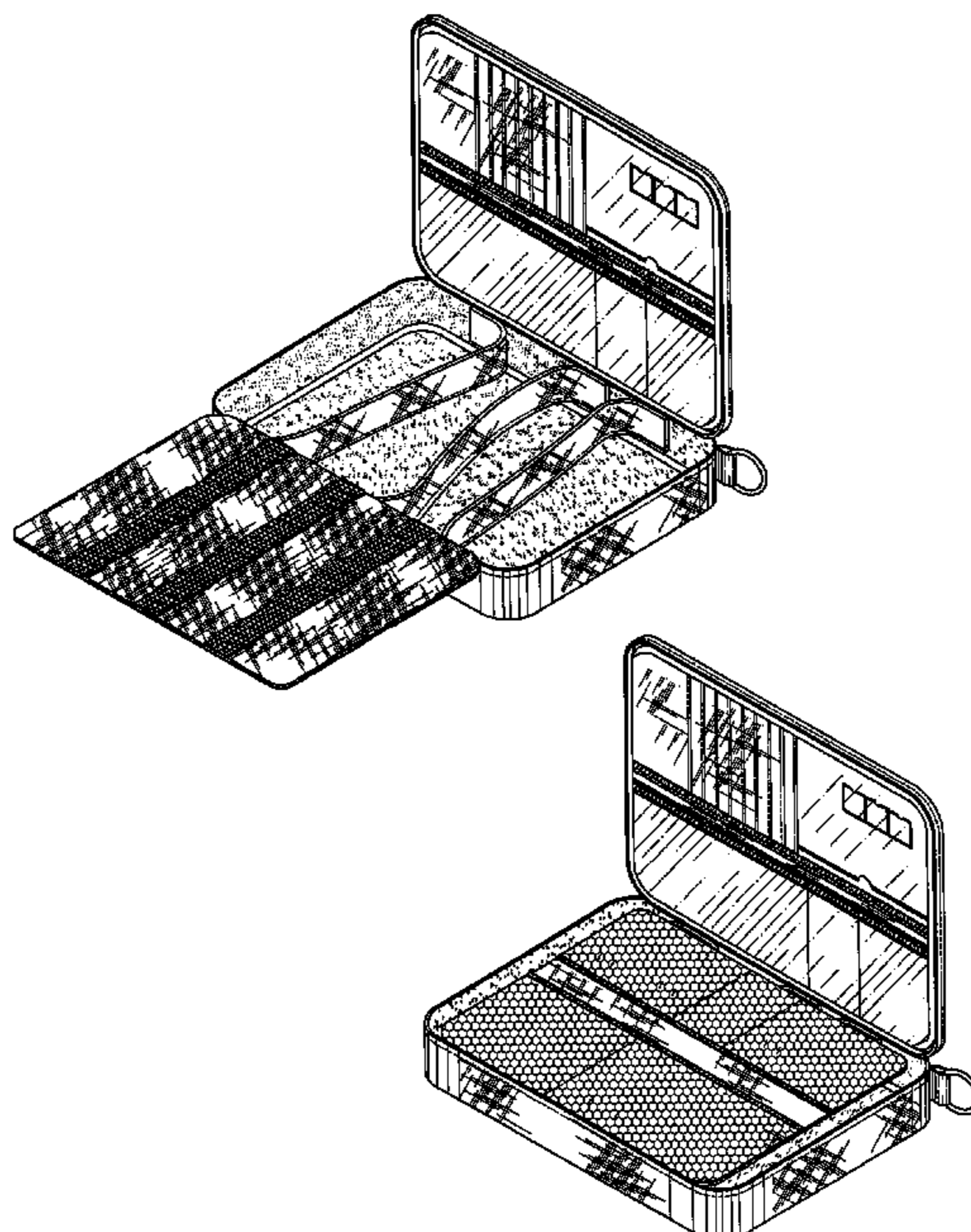
(57) **CLAIM**

The ornamental design for a brief case, as shown and described.

**DESCRIPTION**

FIG. 1 is a front perspective view showing the new design;  
 FIG. 2 is a top view thereof;  
 FIG. 3 is a left side view thereof;  
 FIG. 4 is a right side view thereof;  
 FIG. 5 is an end view from one end thereof;  
 FIG. 6 is an end view from the other end thereof;  
 FIG. 7 is a bottom view thereof;  
 FIG. 8 is a front perspective view thereof showing the brief case in an open position;  
 FIG. 9 is a front perspective view thereof showing the brief case in another open position.  
 FIG. 10 is a top view thereof showing the brief case in the open position shown in FIG. 8; and,  
 FIG. 11 is a top view thereof showing the brief case in the open position shown in FIG. 9.

**1 Claim, 3 Drawing Sheets**



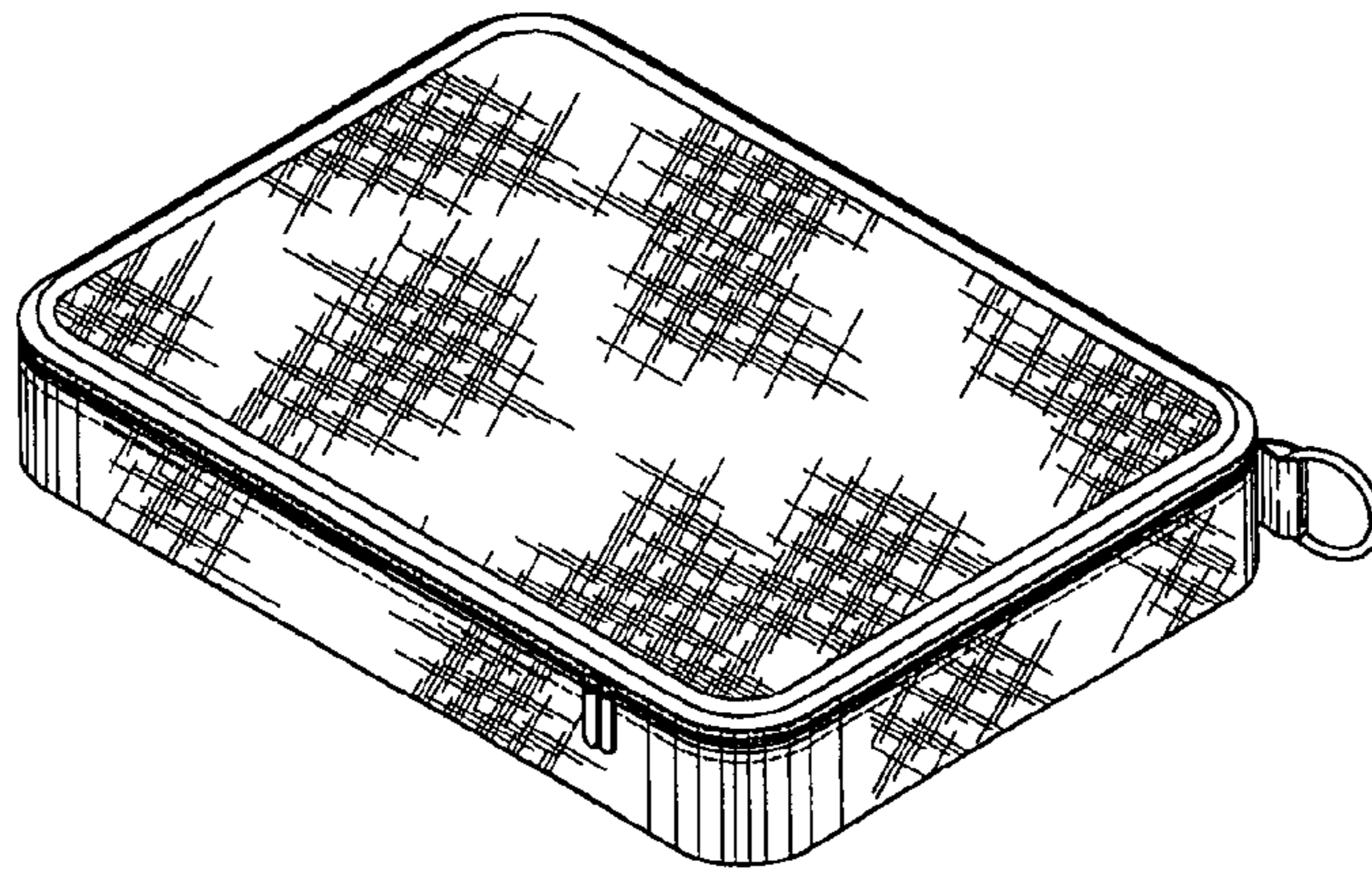


FIG. 1

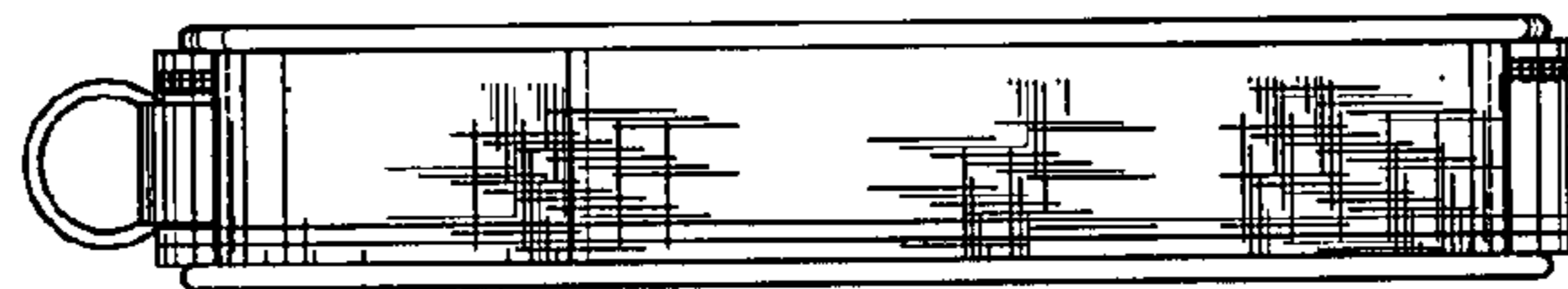


FIG. 5

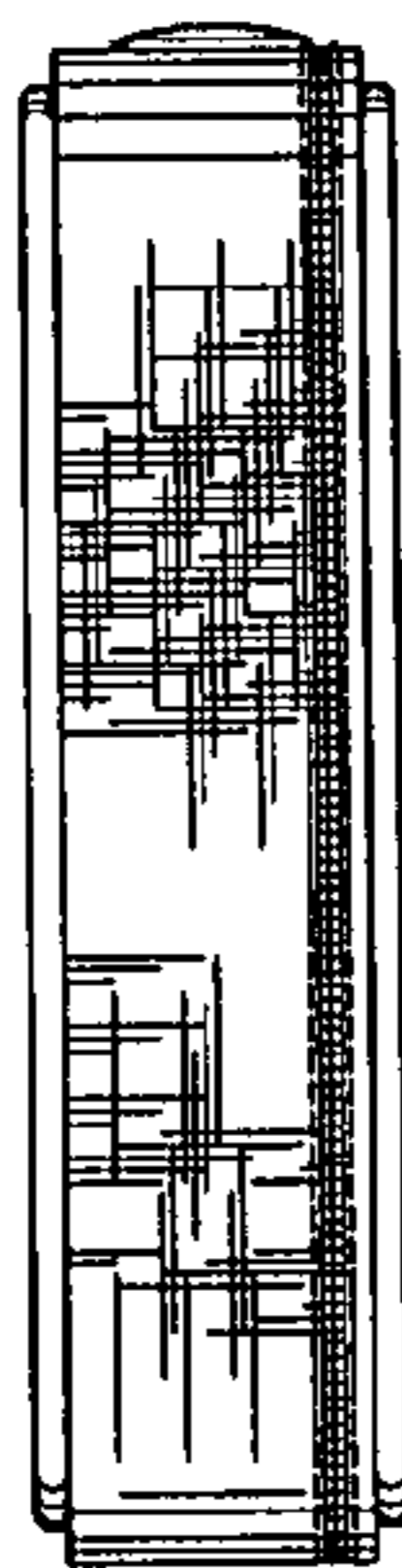


FIG. 3

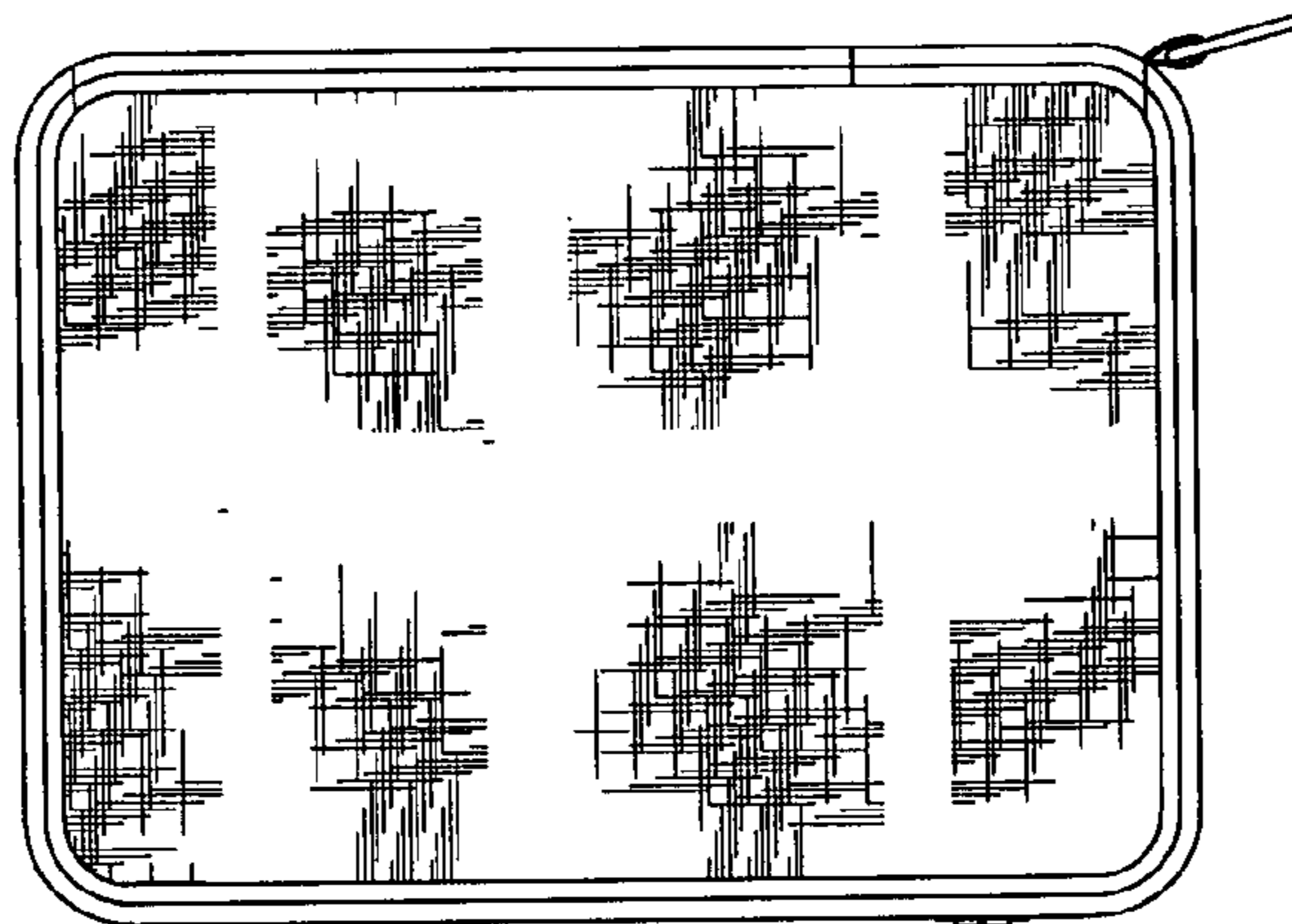


FIG. 2

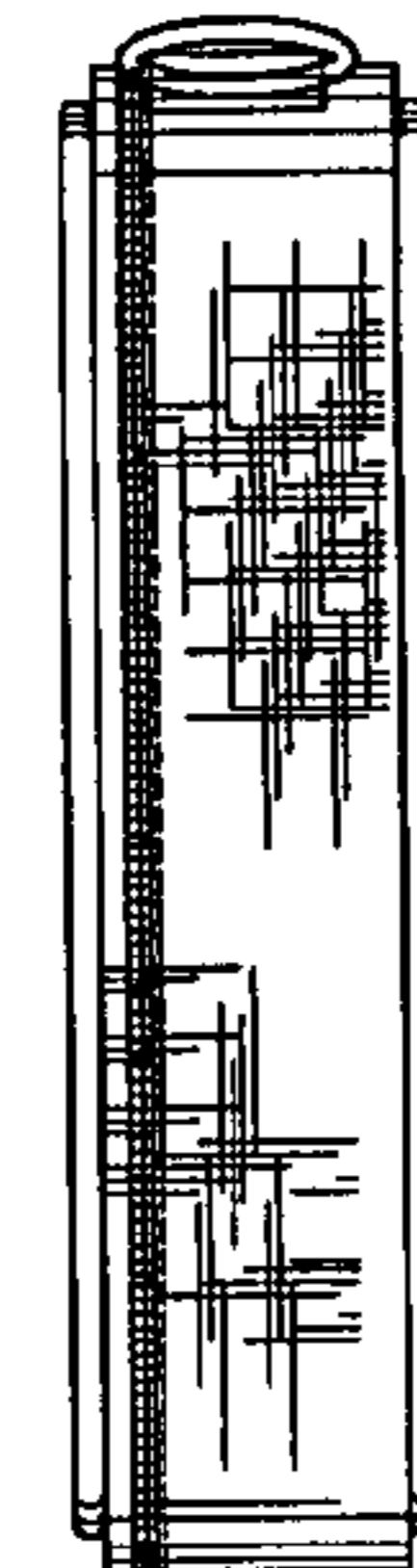


FIG. 4

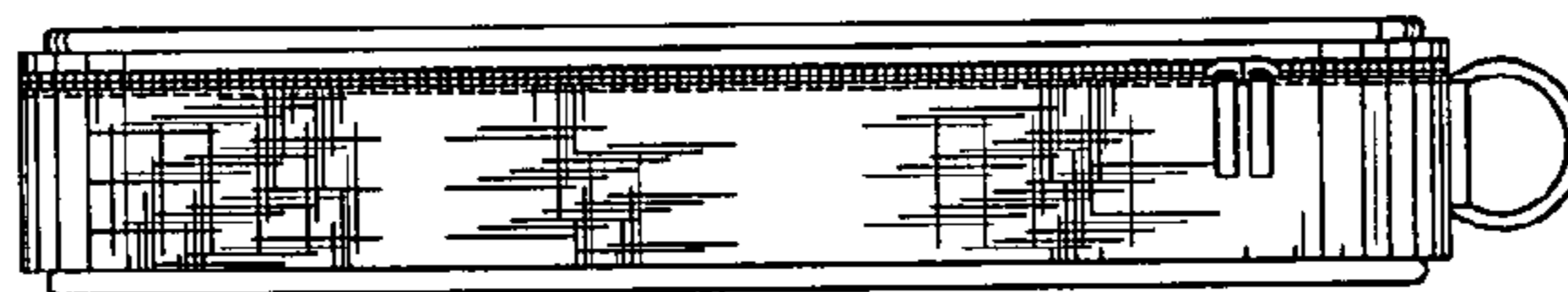
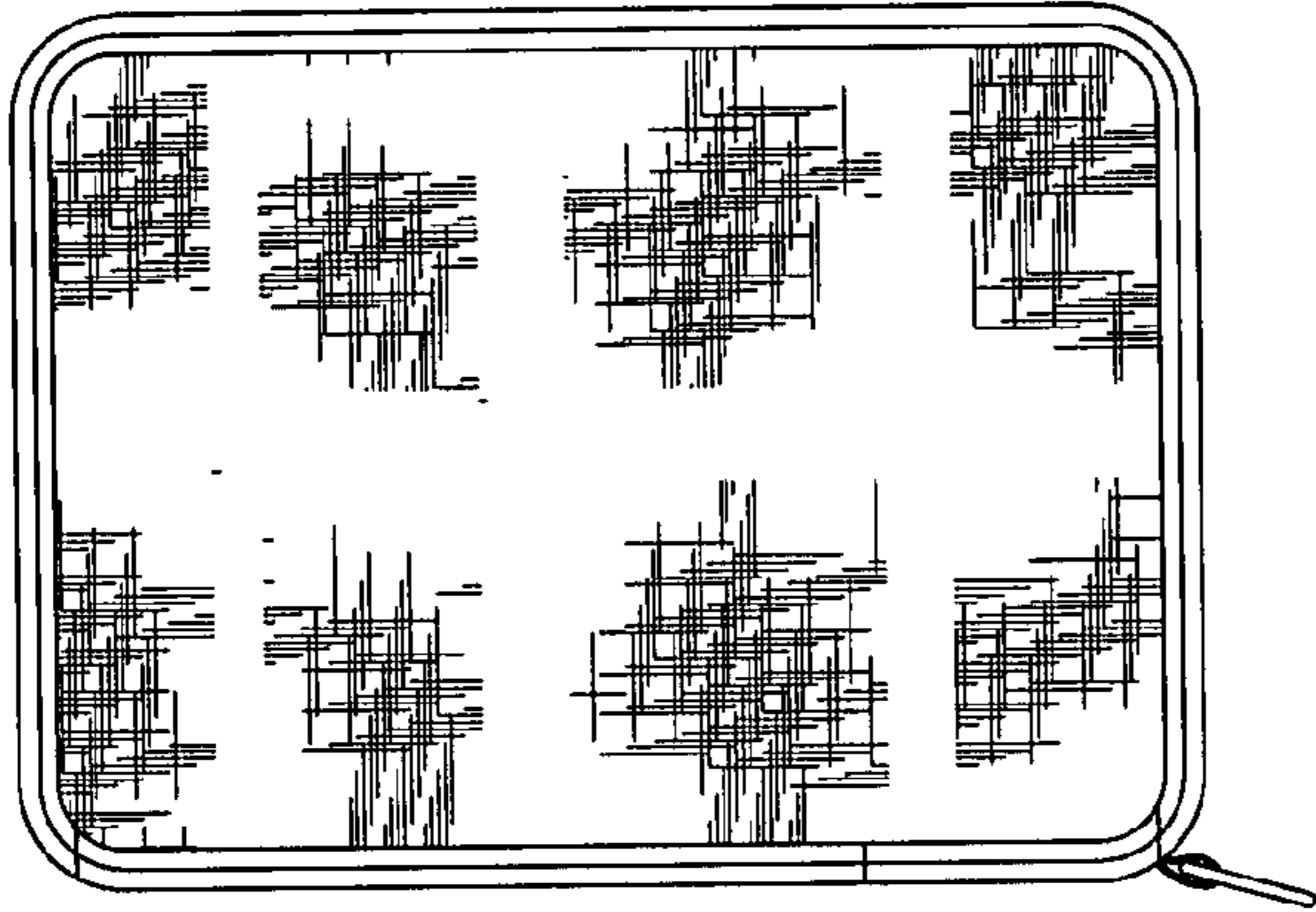
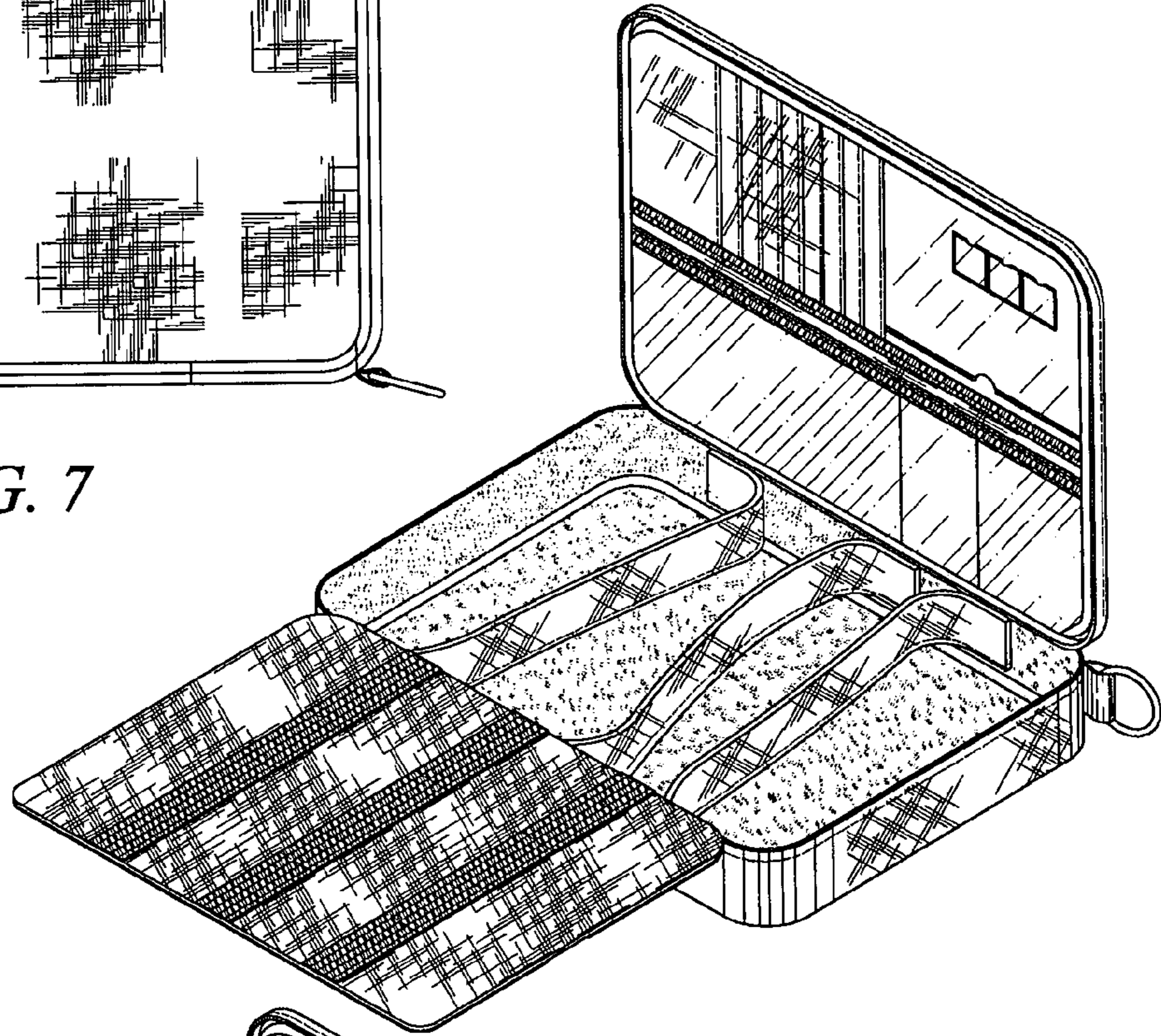


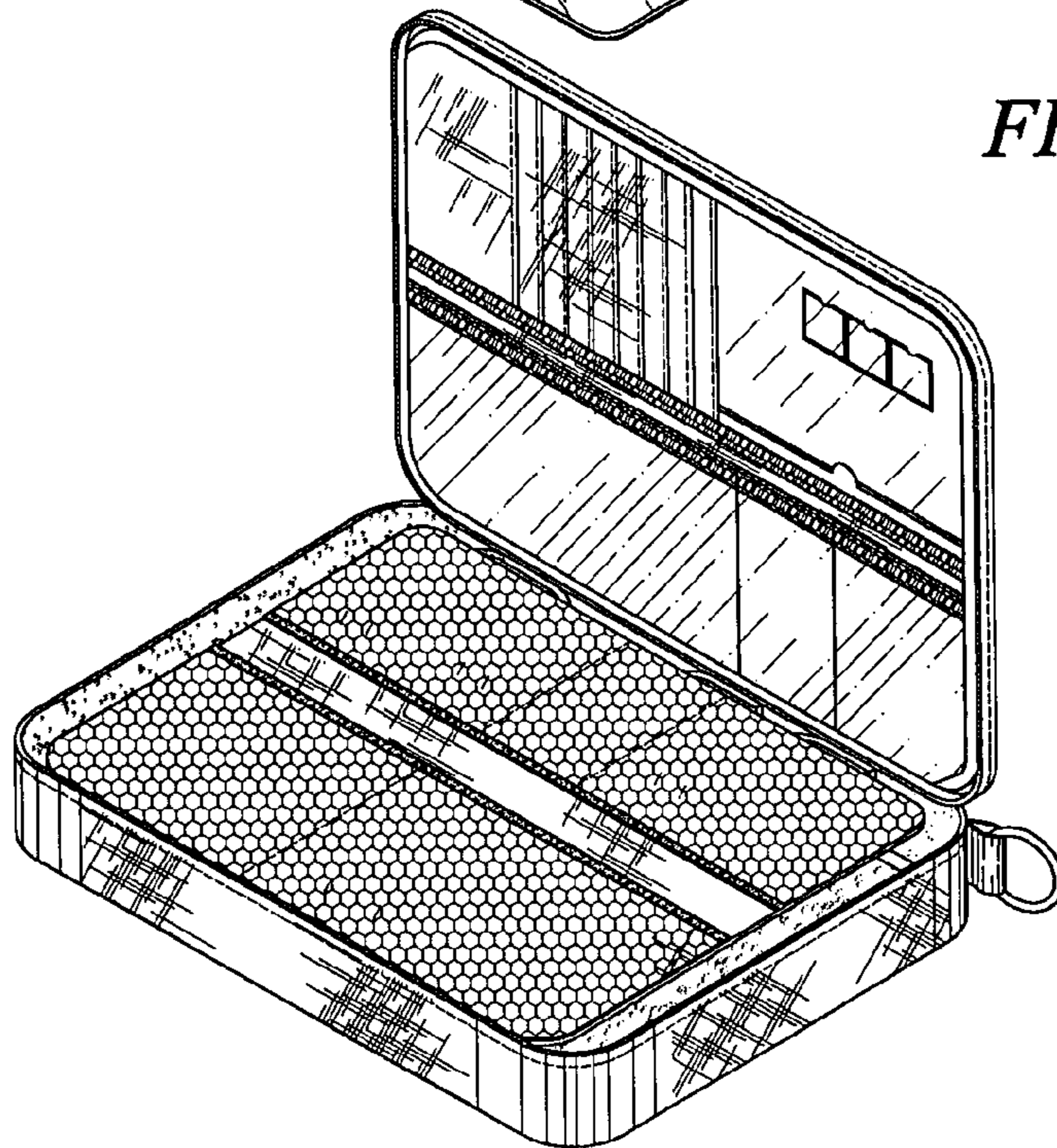
FIG. 6



*FIG. 7*



*FIG. 8*



*FIG. 9*

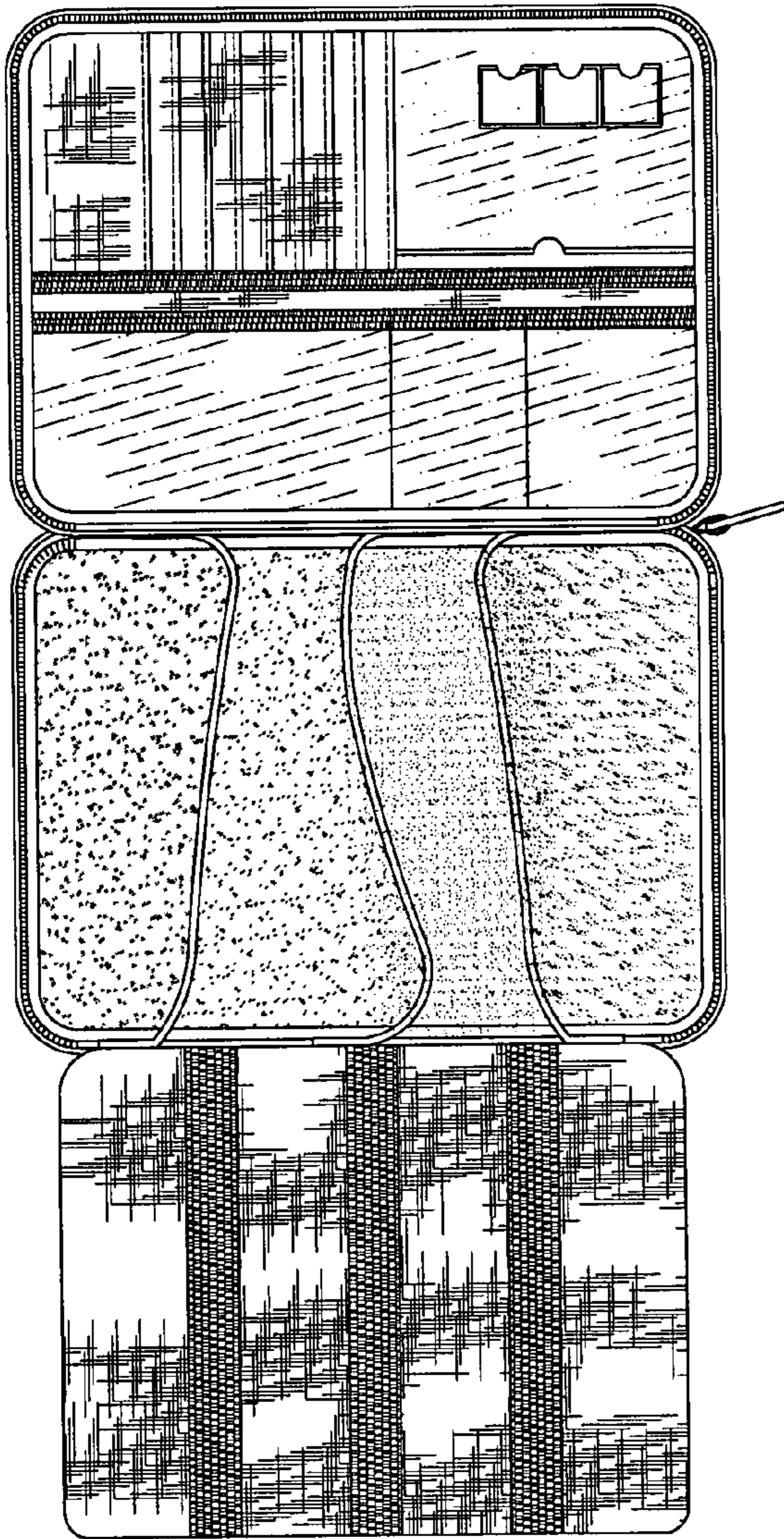


FIG. 10

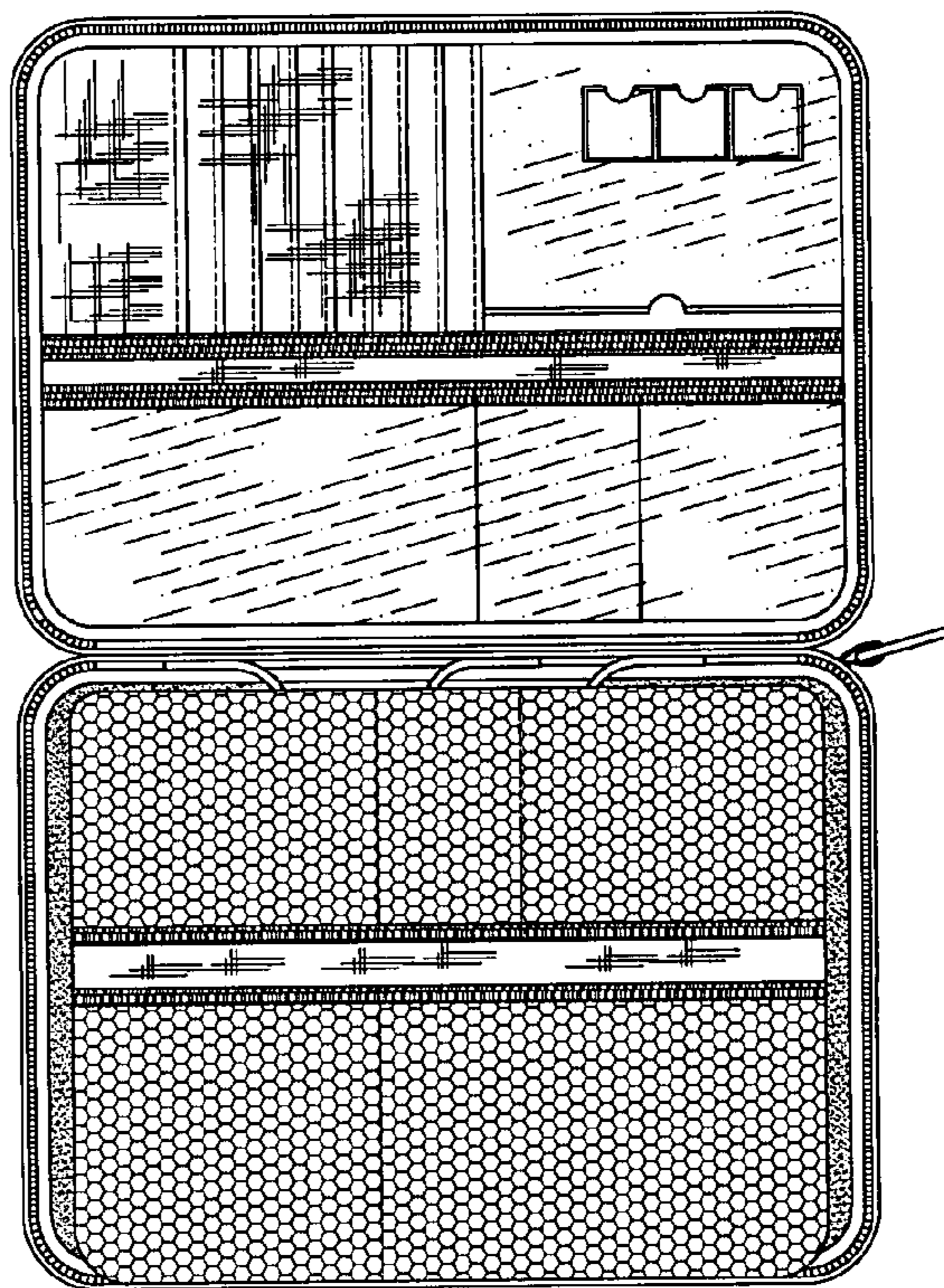


FIG. 11