



US00D560356S

(12) **United States Design Patent**
Greiner

(10) **Patent No.:** **US D560,356 S**

(45) **Date of Patent:** **** Jan. 29, 2008**

(54) **HANDBAG**

(76) **Inventor:** **Lori Greiner**, 1301 Dearborn Pkwy.,
Suite 402, Chicago, IL (US) 60610

(**) **Term:** **14 Years**

(21) **Appl. No.:** **29/263,537**

(22) **Filed:** **Jul. 25, 2006**

Related U.S. Application Data

(63) Continuation of application No. 11/440,943, filed on
May 25, 2006.

(51) **LOC (8) Cl.** **03-01**

(52) **U.S. Cl.** **D3/246**

(58) **Field of Classification Search** D3/232,
D3/234, 238, 240, 241, 242, 243, 244, 245,
D3/246, 303, 318, 319, 321, 322, 323, 324,
D3/325, 326, 900, 902; 150/100, 107, 108,
150/110, 111, 118, 119, 120; 190/100, 108,
190/109, 112, 115, 900, 902, 903; 383/6,
383/25, 30, 31, 38, 42, 70, 71, 72, 74, 75,
383/76, 78, 84, 117, 907

See application file for complete search history.

(56) **References Cited**

U.S. PATENT DOCUMENTS

1,485,172 A	2/1924	Dowell	
1,704,040 A *	3/1929	Fingerman	150/118
1,841,154 A	1/1932	Rath	
D101,705 S	10/1936	Lewis	
D116,165 S *	8/1939	Kaufmann	190/112
D163,726 S	6/1951	Wiggin	
2,960,137 A	11/1960	Lipsitz	
3,292,748 A *	12/1966	Rifkin	190/903
3,521,690 A *	7/1970	Davis	D3/319
3,955,609 A	5/1976	Siegel	
4,022,261 A	5/1977	Russell	
D245,645 S	8/1977	Casser	
D247,069 S	1/1978	Siris	

D250,614 S	12/1978	Stewart
4,140,164 A	2/1979	Staup
5,007,470 A	4/1991	Freeman
5,048,582 A	9/1991	Whitfield
D322,168 S	12/1991	King
D330,281 S	10/1992	Siris
5,402,869 A	4/1995	Saltzman et al.
5,409,153 A	4/1995	Ristich
D378,709 S	4/1997	Jacobs et al.
5,829,502 A	11/1998	Distefano et al.
D406,456 S	3/1999	McDermott
5,911,262 A	6/1999	Steinhart
5,918,711 A	7/1999	Godshaw
6,047,752 A	4/2000	Southwick
6,109,442 A	8/2000	Roegner

(Continued)

Primary Examiner—Gary D. Watson
Assistant Examiner—Monica A Weingart
(74) *Attorney, Agent, or Firm*—Fredrikson & Byron, P.A.

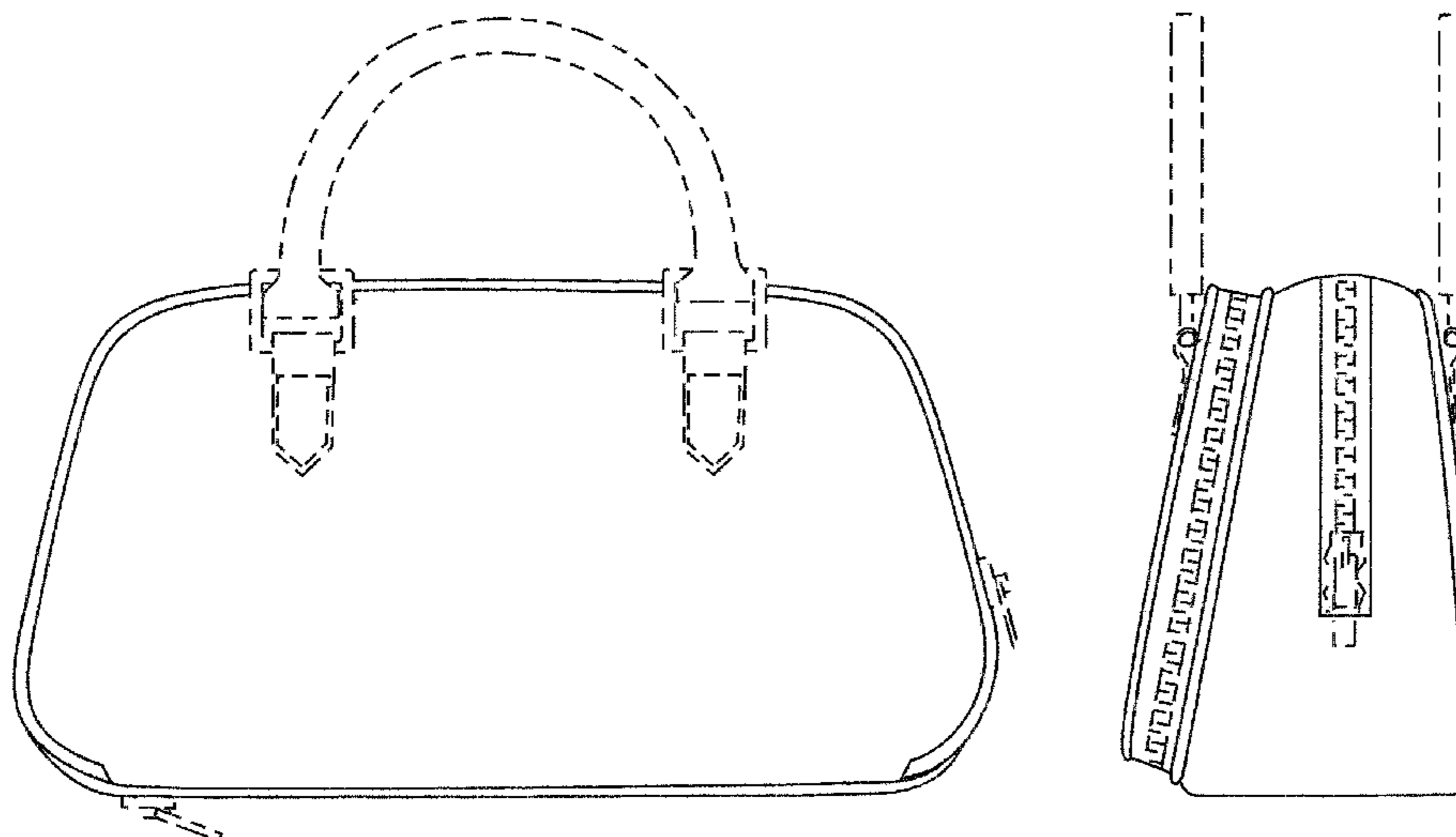
(57) **CLAIM**

The ornamental design for a handbag, as shown and
described.

DESCRIPTION

FIG. 1 is a front elevational view of a handbag showing my
new design;
FIG. 2 is right side elevational view thereof;
FIG. 3 is a top plan view thereof;
FIG. 4 is right side elevational view with the front panel
open;
FIG. 5 is top plan view with the front panel open; and,
FIG. 6 is front elevational view with the front panel open.
The broken line showing of in the views is included for the
purpose of illustrating environment and forms no part of the
claimed design.

1 Claim, 6 Drawing Sheets



US D560,356 S

Page 2

U.S. PATENT DOCUMENTS

6,109,443	A	8/2000	Dercole	6,681,936	B2	1/2004	Godshaw et al.
6,135,179	A	10/2000	Joyner	6,695,107	B2	2/2004	Godshaw et al.
6,183,133	B1	2/2001	Roegner	6,789,665	B2	9/2004	Staiano
6,223,870	B1	5/2001	Godshaw	D502,314	S	3/2005	Cassegrain
6,237,660	B1	5/2001	Giardino	D505,012	S	5/2005	Godshaw et al.
6,283,183	B1	9/2001	Cooper	7,004,295	B2	2/2006	Godshaw et al.
6,460,668	B1	10/2002	Godshaw et al.	D518,959	S	4/2006	Gonzalez
D466,297	S	12/2002	Raisner et al.	D531,405	S	* 11/2006	Tortorella D3/246
6,637,485	B1	10/2003	Sartena	2004/0163911	A1	8/2004	Godshaw et al.
6,640,813	B2	11/2003	Raisner et al.	2005/0011715	A1	1/2005	Godshaw
6,655,565	B2	12/2003	Godshaw et al.				

* cited by examiner

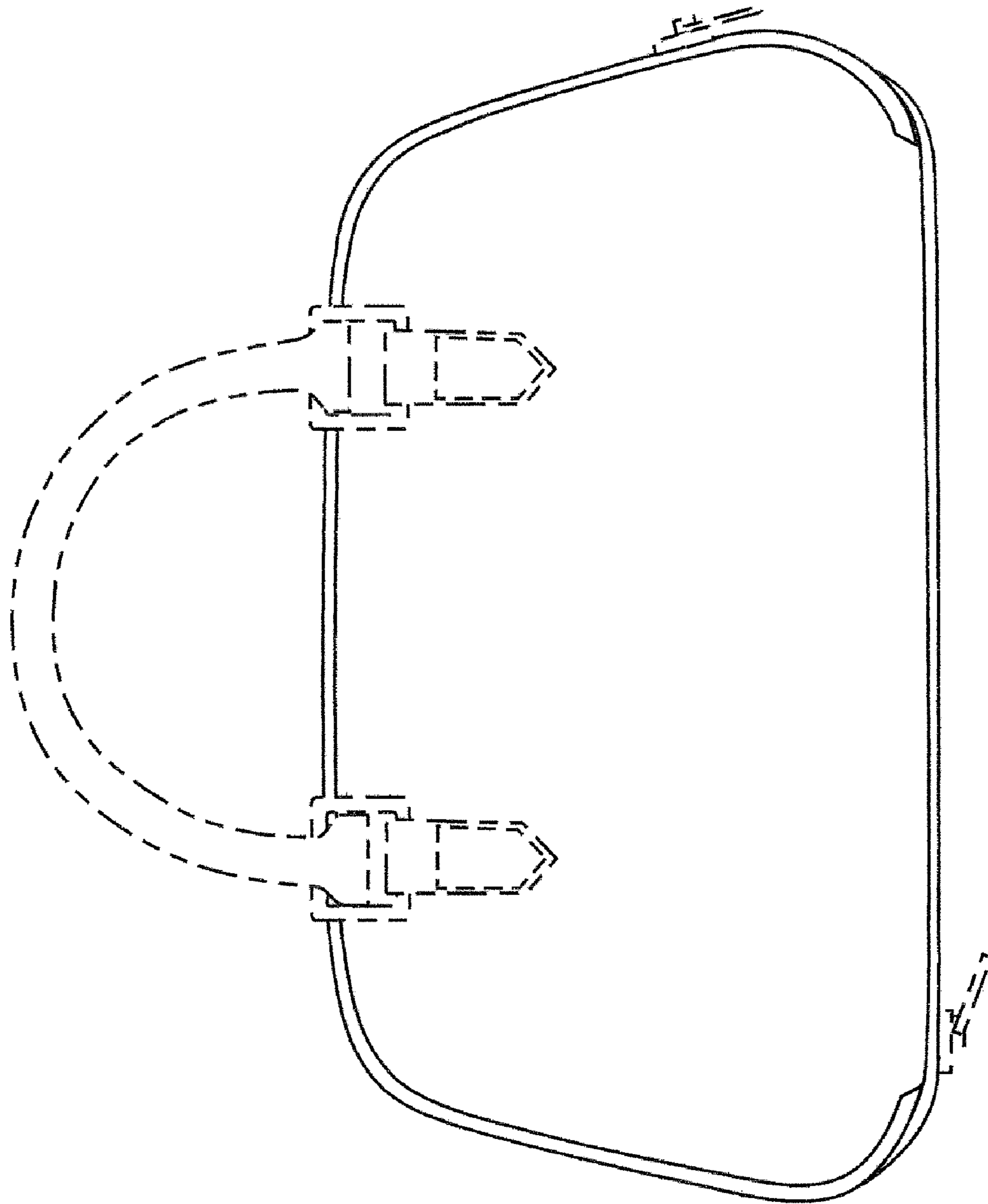


Fig. 1

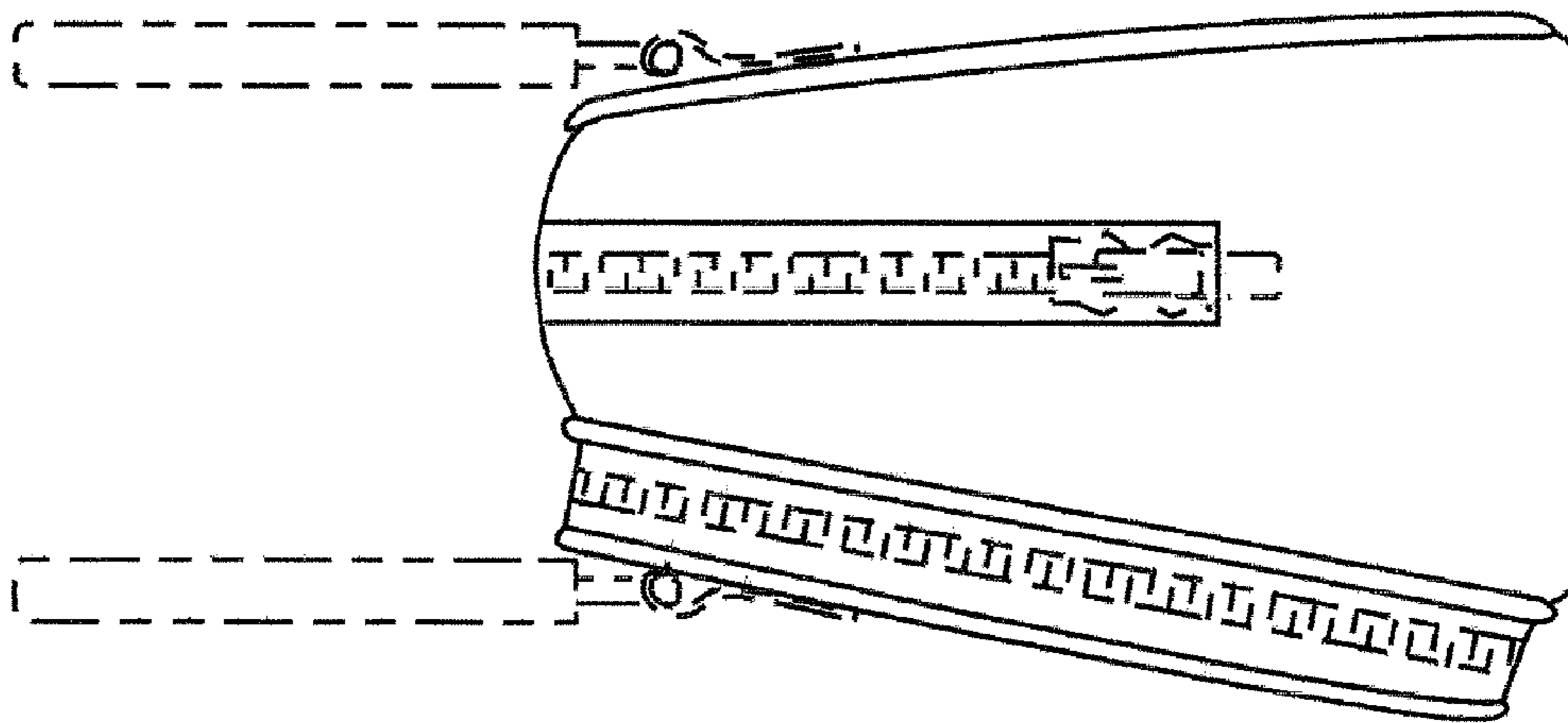


Fig. 2

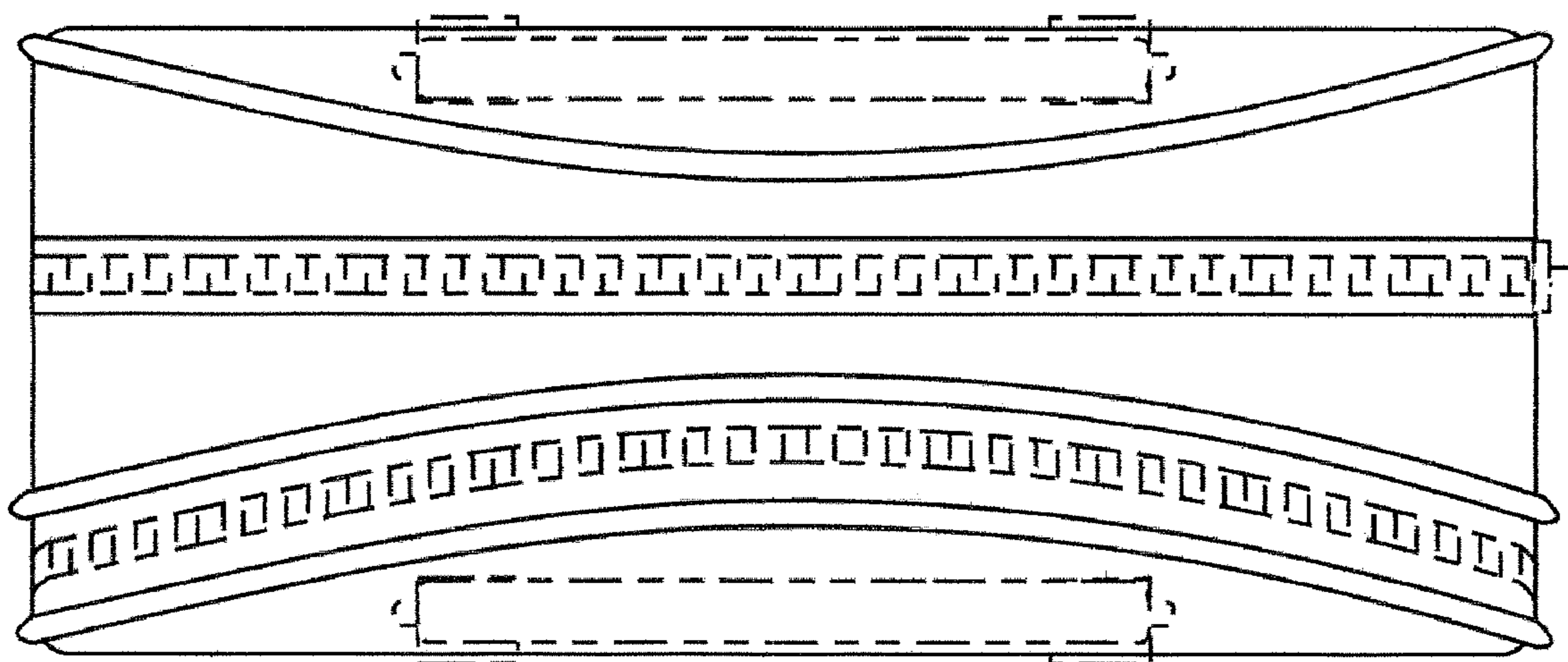


Fig. 3

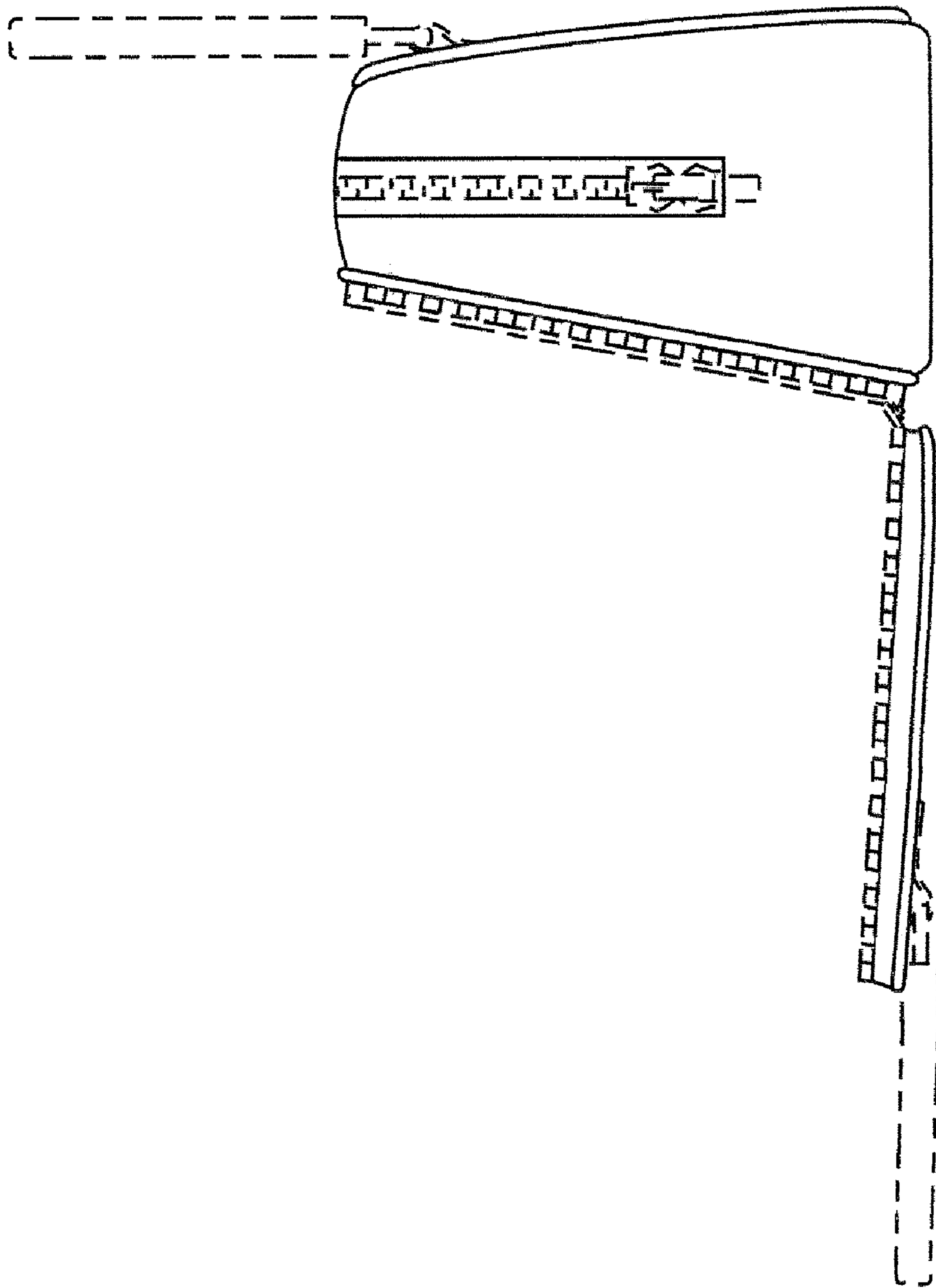


Fig. 4

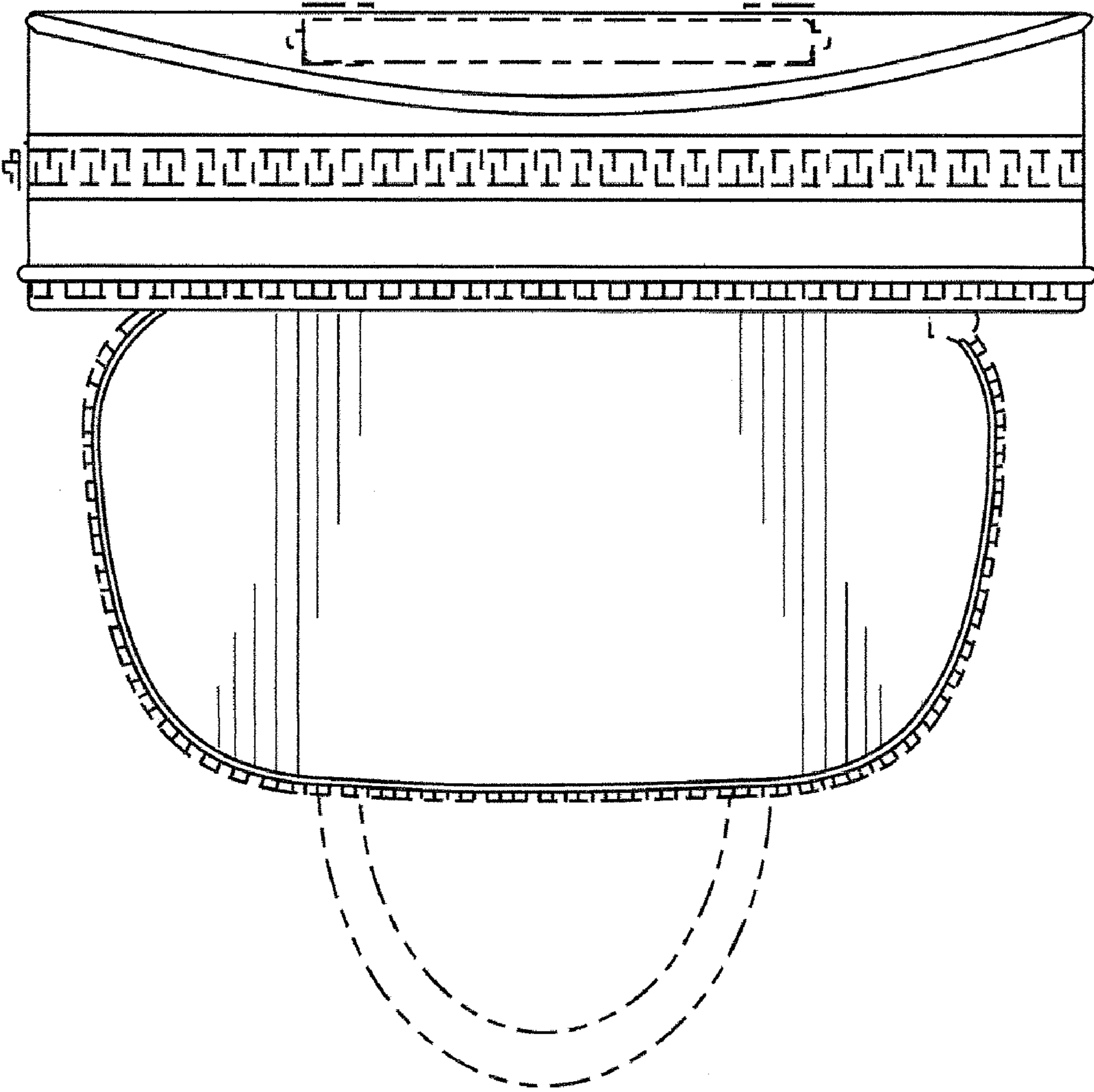


Fig. 5

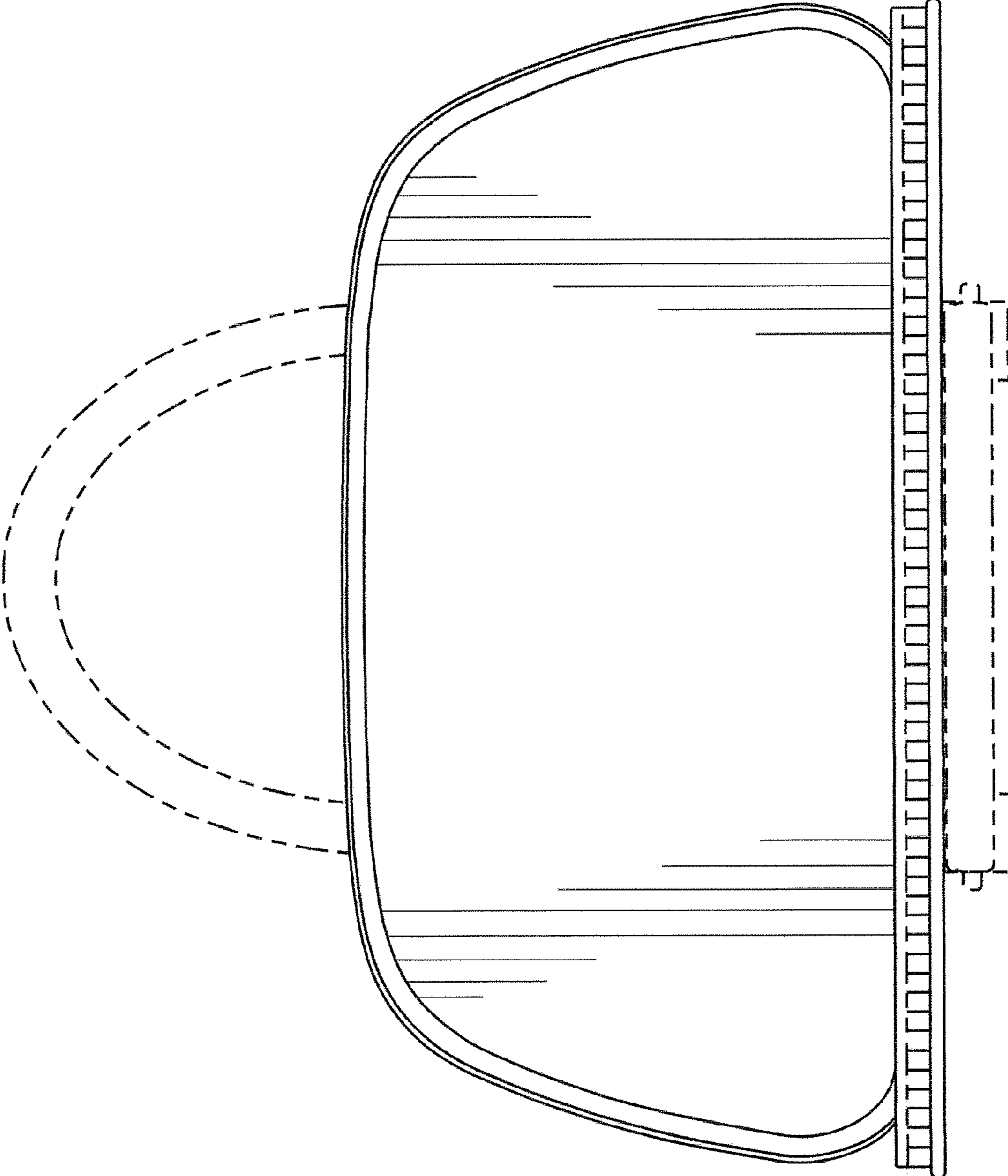


Fig. 6