



US00D560326S

(12) **United States Design Patent**
Bruno

(10) **Patent No.:** **US D560,326 S**

(45) **Date of Patent:** **** Jan. 29, 2008**

(54) **CONFECTIONERY PRODUCT**

(75) **Inventor:** **Franco Bruno, Priocca (IT)**

(73) **Assignee:** **Soremartec S.A., Schoppach-Arlon (BE)**

(**) **Term:** **14 Years**

(21) **Appl. No.:** **29/250,273**

(22) **Filed:** **Nov. 8, 2006**

(30) **Foreign Application Priority Data**

May 11, 2006 (EP) 000528344

(51) **LOC (8) Cl.** **01-01**

(52) **U.S. Cl.** **D1/121; D1/127**

(58) **Field of Classification Search** D1/100-1,
D1/121, 127-8, 130, 199; 426/76, 103, 122,
426/144, 660, 512, 515; D21/386; D24/101,
D24/104; D28/8.1

See application file for complete search history.

(56) **References Cited**

U.S. PATENT DOCUMENTS

1,836,604 A * 12/1931 Meyer 127/30
D90,592 S * 8/1933 Peterson D1/121
D90,688 S * 9/1933 Sherrill D1/121
D98,858 S * 3/1936 Gager D1/121
D170,362 S * 9/1953 Opler D1/121
2,843,493 A * 7/1958 Sharples 426/512

3,358,379 A * 12/1967 Coley 34/287
4,215,104 A * 7/1980 Ullman et al. 424/467
D288,140 S * 2/1987 Fontlladosa D1/106
D291,242 S * 8/1987 Harden et al. D23/386
D379,471 S * 5/1997 Gilbert D18/56
5,843,512 A * 12/1998 Daouse et al. 426/512
5,846,584 A * 12/1998 Capodiecici 426/238

* cited by examiner

Primary Examiner—Robin V. Webster

Assistant Examiner—Karen E Kearney

(74) *Attorney, Agent, or Firm*—Rothwell, Figg, Ernst & Manbeck, P.C.

(57) **CLAIM**

The ornamental design for a confectionery product, as shown and described.

DESCRIPTION

FIG. 1 shows the front view of the confectionery product; FIG. 2 shows the right side view of the confectionery product;

FIG. 3 shows the left side view of the confectionery product;

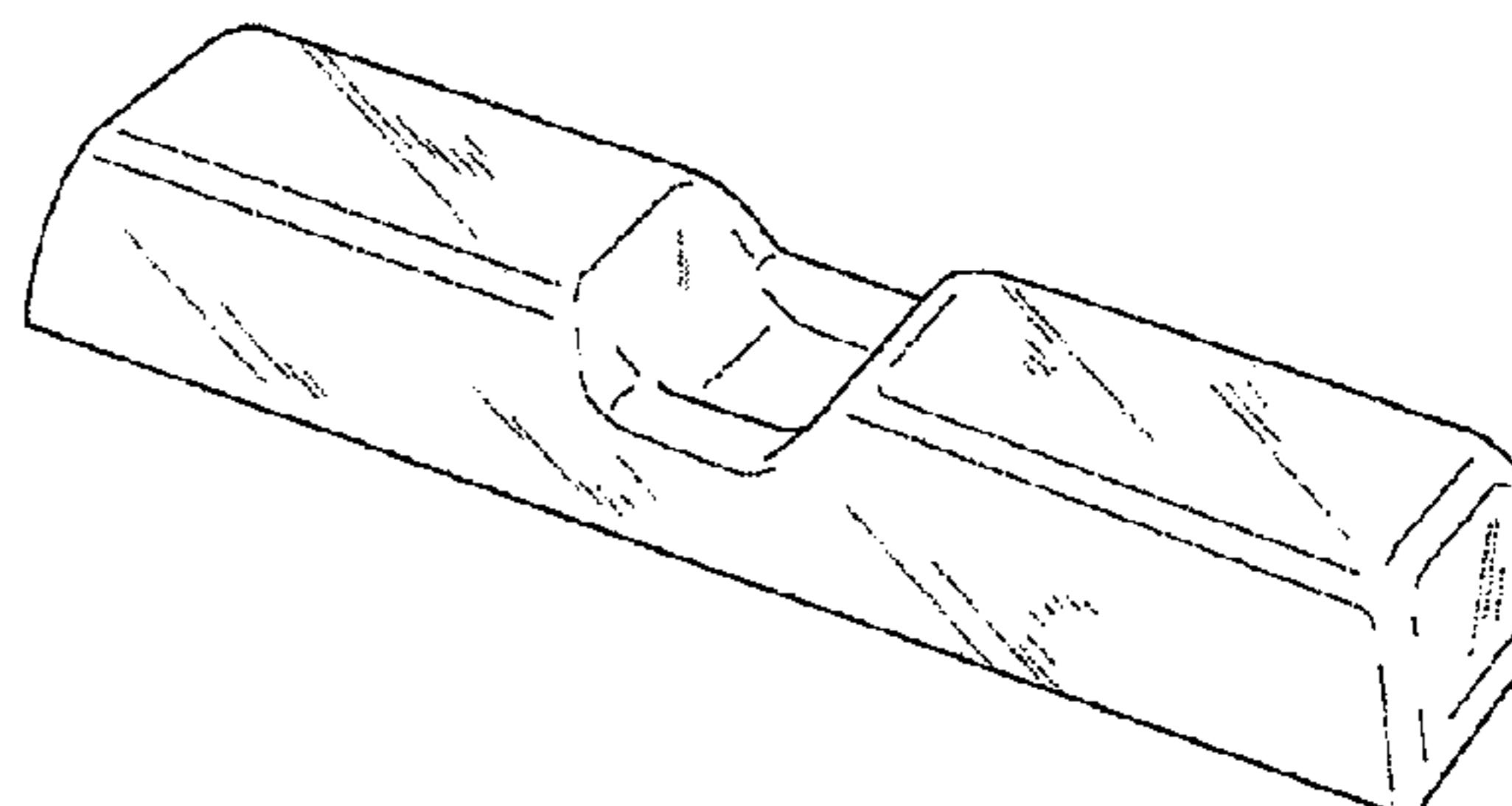
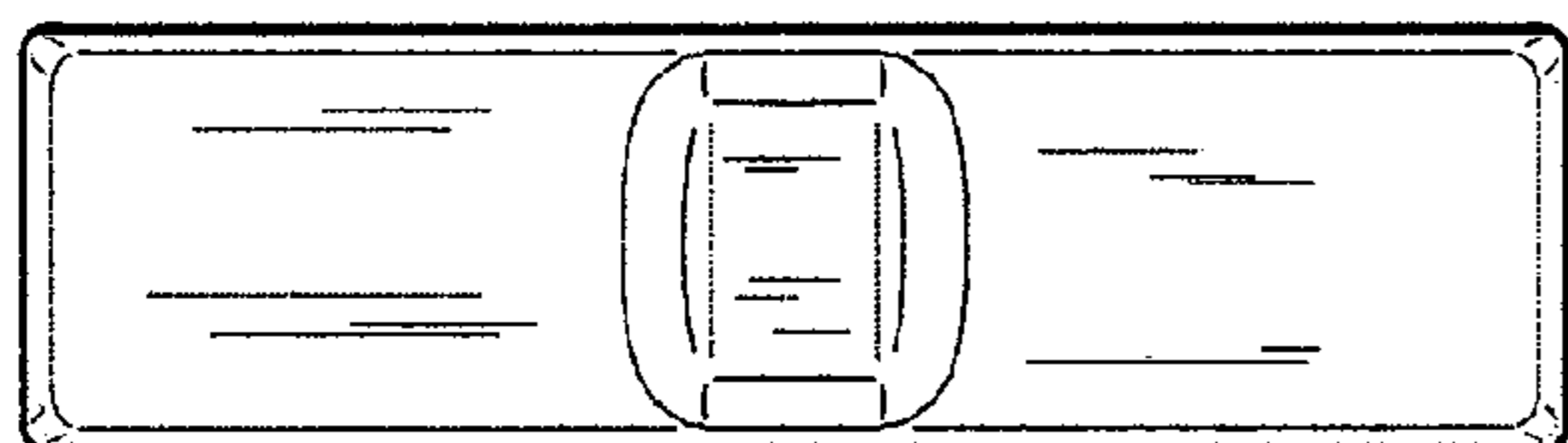
FIG. 4 shows the rear view of the confectionery product;

FIG. 5 shows the bottom view of the confectionery product;

FIG. 6 shows the top view of the confectionery product; and,

FIG. 7 shows a perspective view of the confectionery product.

1 Claim, 1 Drawing Sheet



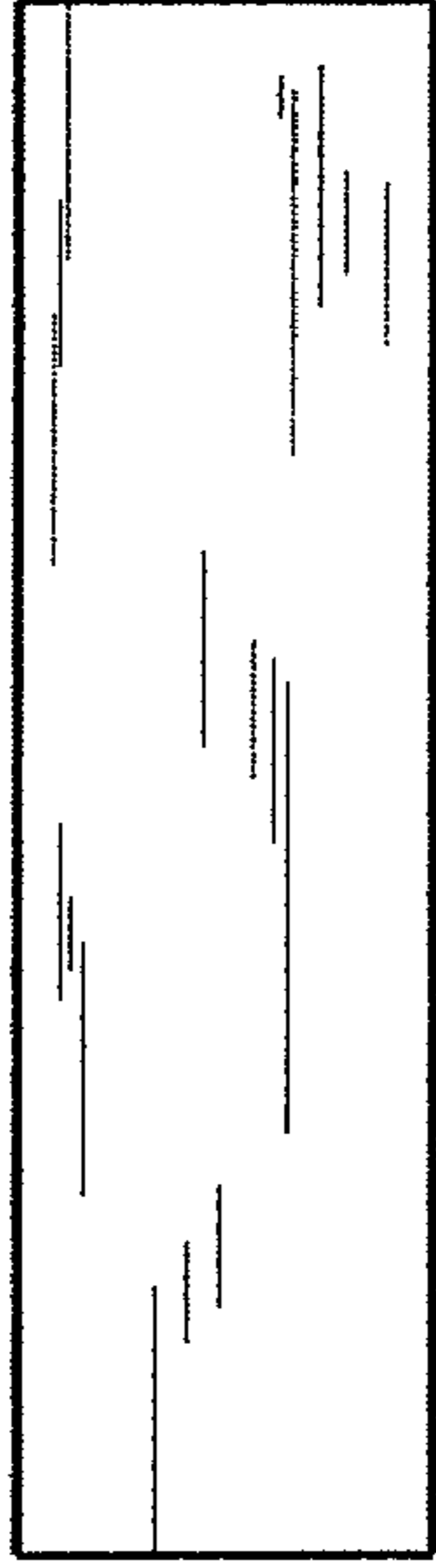


FIG. 5



FIG. 3

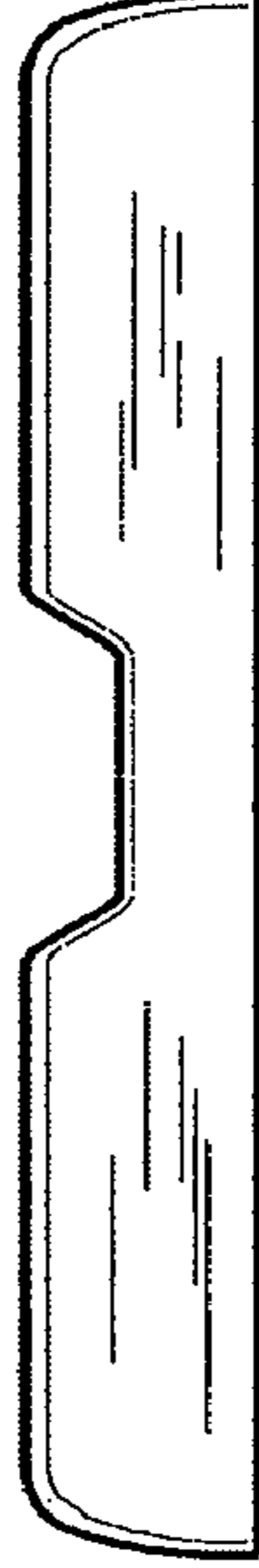


FIG. 1



FIG. 2

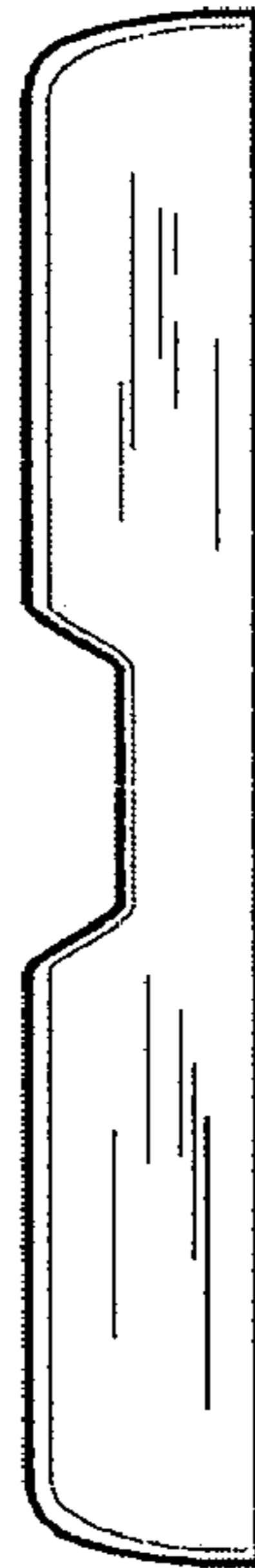


FIG. 4

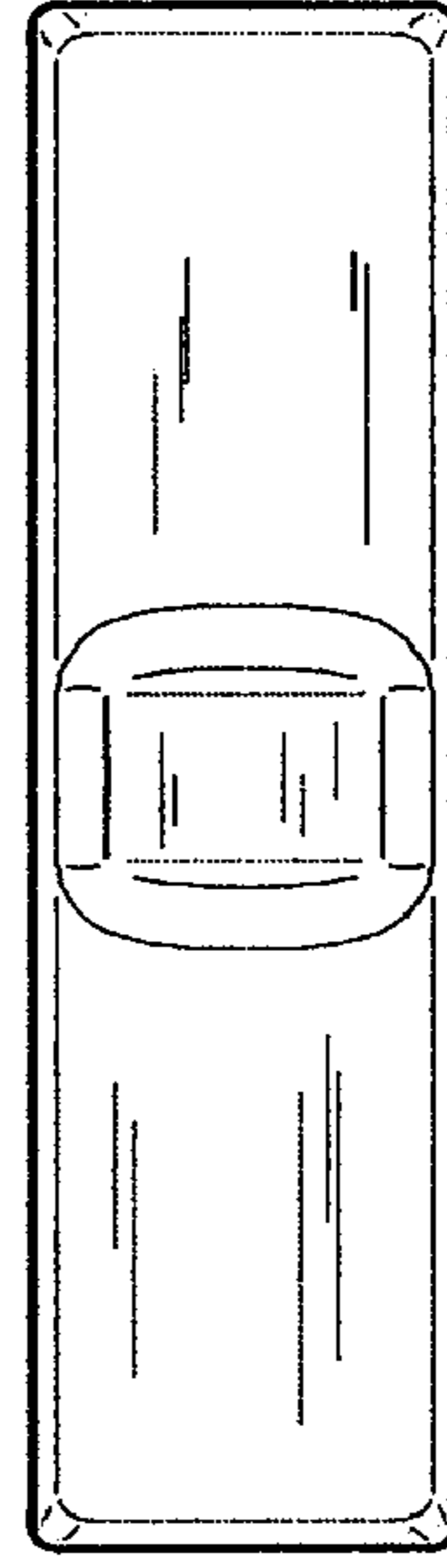


FIG. 6

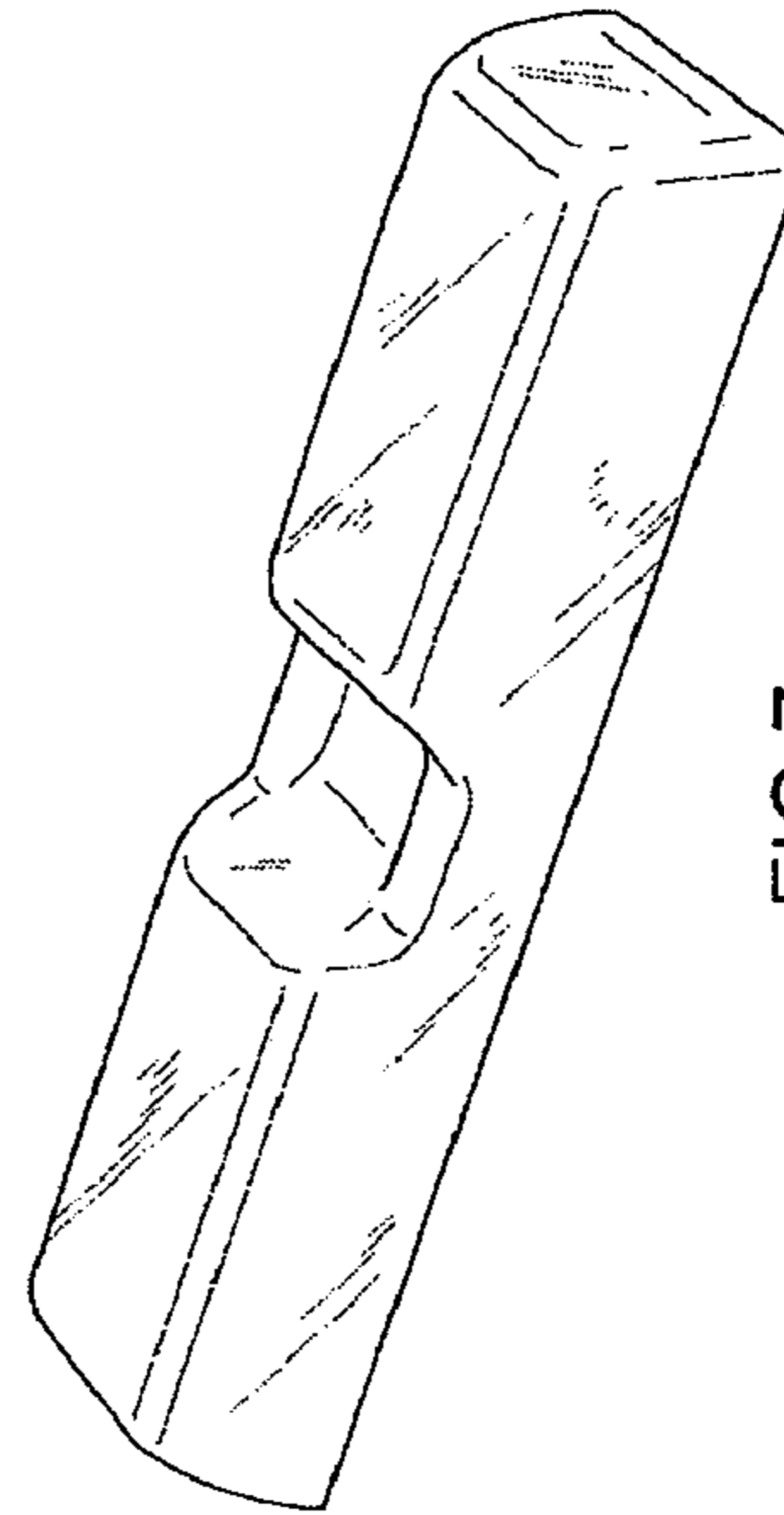


FIG. 7