



US00D560324S

(12) **United States Design Patent**
Drake

(10) **Patent No.:** **US D560,324 S**
(45) **Date of Patent:** **** Jan. 22, 2008**

(54) **POWERED DRIVE FOR JACK**

(75) Inventor: **Frank Drake**, Wausau, WI (US)

(73) Assignee: **Cequent Trailer Products Inc.**,
Mosinee, WI (US)

(**) Term: **14 Years**

(21) Appl. No.: **29/288,182**

(22) Filed: **Jun. 1, 2007**

Related U.S. Application Data

(63) Continuation of application No. 29/272,020, filed on
Jan. 31, 2007, and a continuation of application No.
11/700,671, filed on Jan. 31, 2007.

(51) **LOC (8) Cl.** **12-05**

(52) **U.S. Cl.** **D34/31**

(58) **Field of Classification Search** D34/31,
D34/35; 254/126, 2 R, 93 H, 134, 420, DIG. 1,
254/423, 424, 86 H, 86 R, 11, 12, 13
See application file for complete search history.

(56) **References Cited**

U.S. PATENT DOCUMENTS

D327,282 S *	6/1992	Garcia	D15/199
D327,354 S *	6/1992	Inman	D34/31
D368,568 S *	4/1996	Hartley	D34/31
6,099,016 A *	8/2000	Peveler	280/475
D447,309 S *	8/2001	Wilson	D34/31
D476,461 S *	6/2003	Dries	D34/31
D509,039 S *	8/2005	Peschmann et al.	D34/31
2005/0073130 A1	4/2005	McGlothlin		

OTHER PUBLICATIONS

Equalizer Systems Electric and Hydraulic Lifting and Leveling; pp.
1-4; www.equalizersystems.com.

Lunde Life Systems; Pack More Leisure Into Your Next Adventure;
p. 1; www.trailer-solutions.com/hydraulic-big1.htm.
Lunde Life Systems; Pack More Leisure Into Your Next Adventure;
p. 1-2; www.trailer-solutions.com/lunde.htm.
Lunde Life Systems; Pack More Leisure Into Your Next Adventure;
p. 1; www.trailer-solutions.com/hydraulic-big2.htm.
Lunde Life Systems; Pack More Leisure Into Your Next Adventure;
p. 1; www.trailer-solutions.com/hydraulic-big3.htm.
Lunde Life Systems; Pack More Leisure Into Your Next Adventure;
p. 1; www.trailer-solutions.com/hydraulic-big4.htm.

* cited by examiner

Primary Examiner—Cynthia E Ramirez

(74) *Attorney, Agent, or Firm*—David J. Smith; McDonald
Hopkins LLC

(57) **CLAIM**

The ornamental design of a powered drive for jack, as shown
and described.

DESCRIPTION

FIG. 1 is a perspective view of a powered drive for jack
showing my new design;

FIG. 2 is a perspective view of the top, left and back sides
thereof;

FIG. 3 is a left side view thereof;

FIG. 4 is a right side view thereof;

FIG. 5 is a top side view thereof;

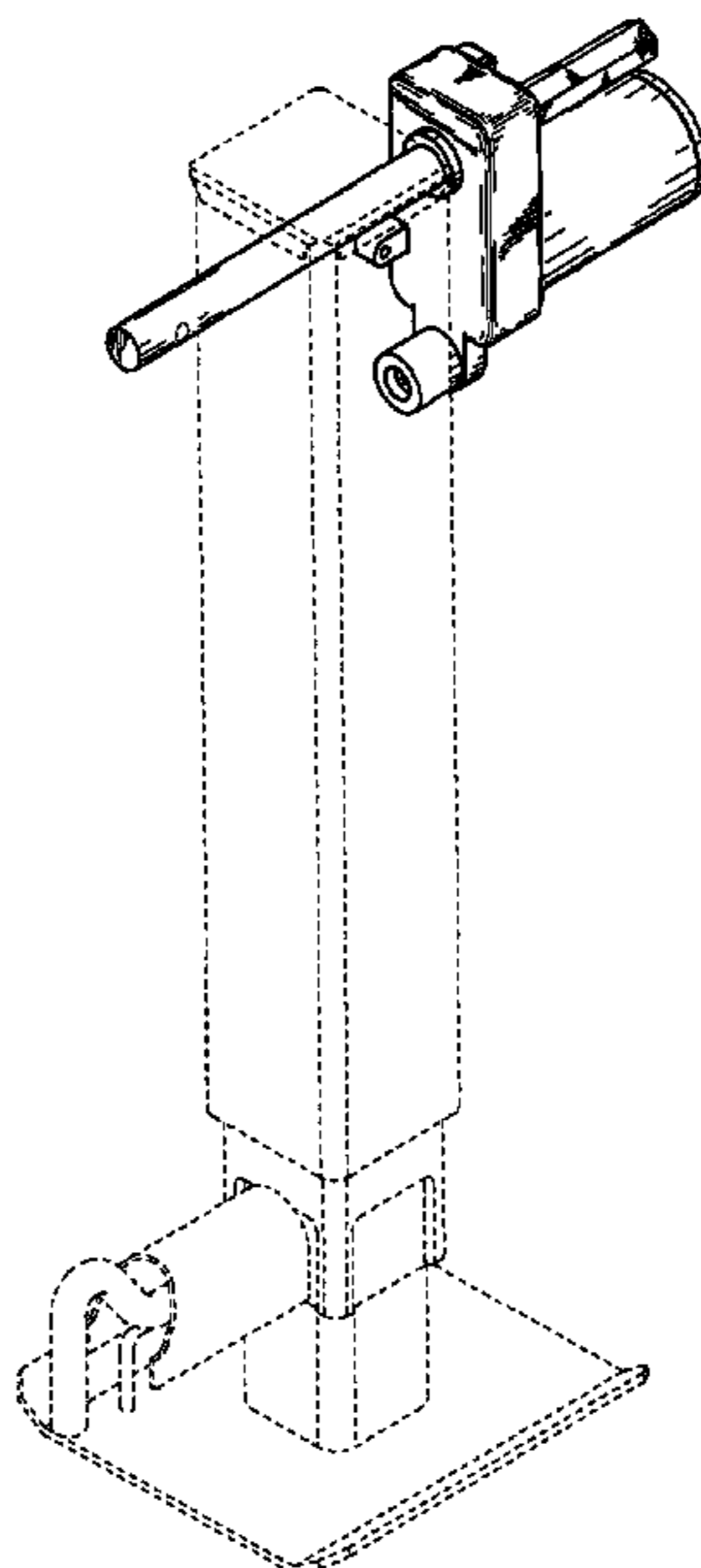
FIG. 6 is a bottom side view thereof;

FIG. 7 is a back side view thereof; and,

FIG. 8 is a front side view thereof.

The broken lines in FIG. 1 illustrate a jack body having
telescopic tubes for illustrative purposes only and form no
part of the claimed design.

1 Claim, 4 Drawing Sheets



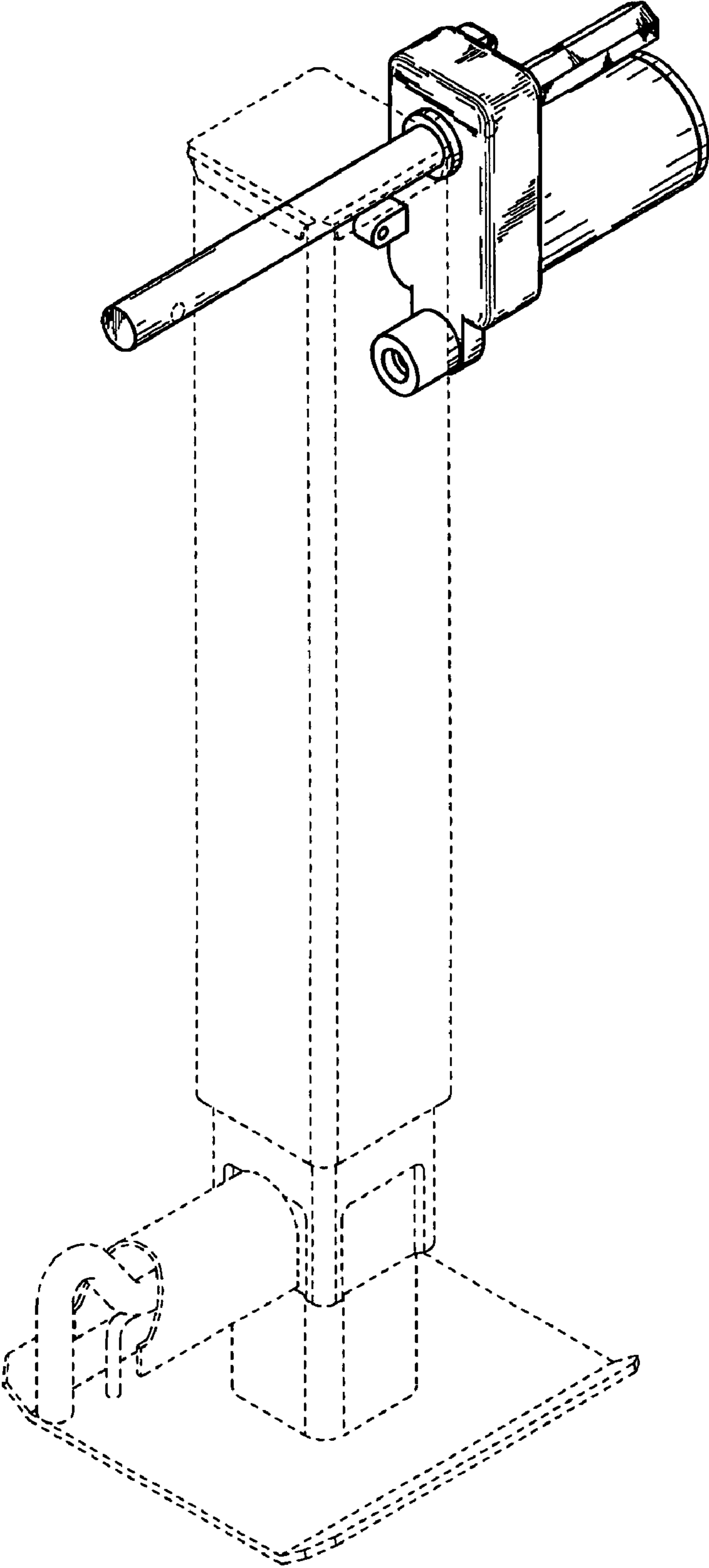


Fig. 1

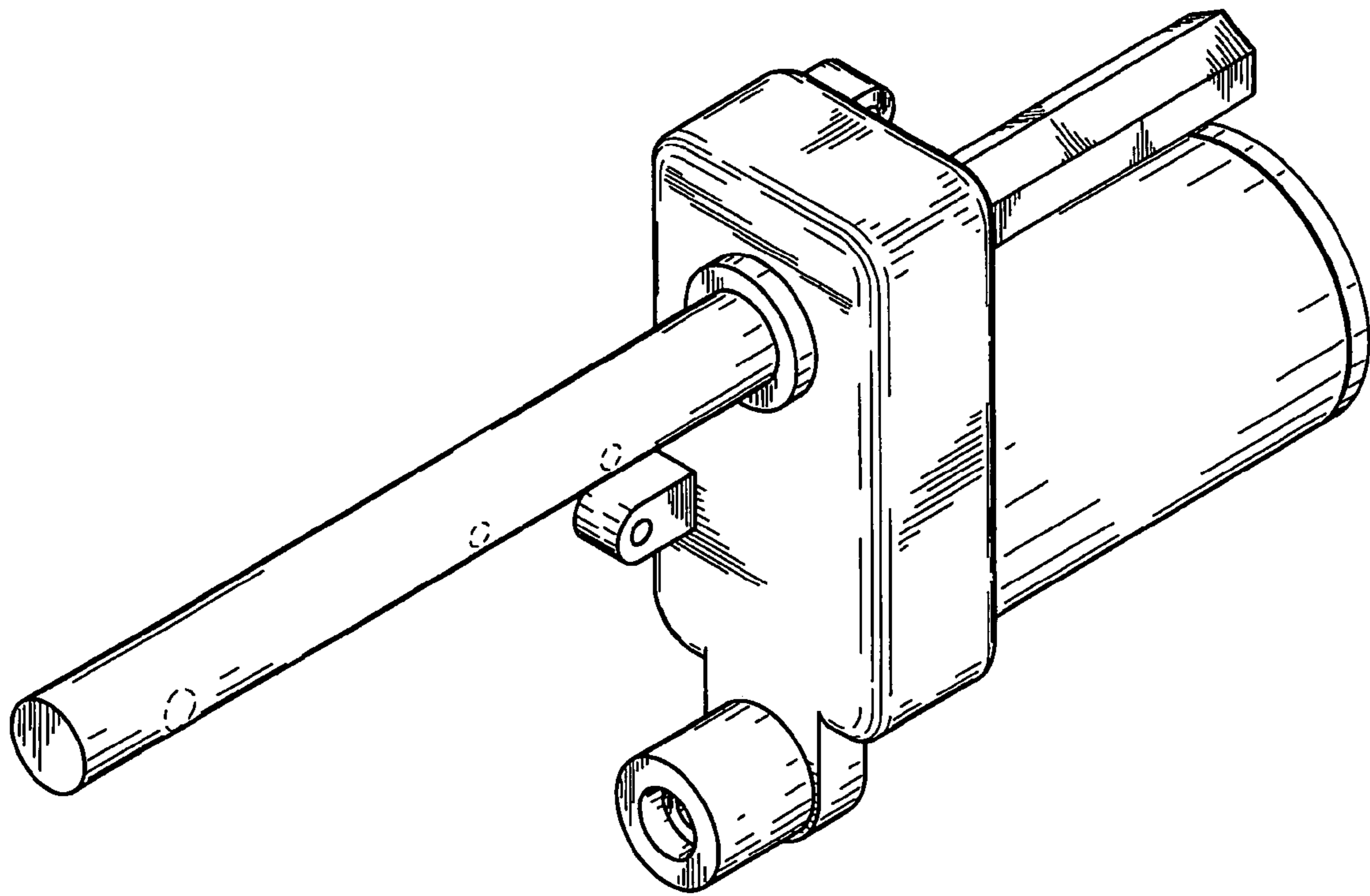


Fig. 2

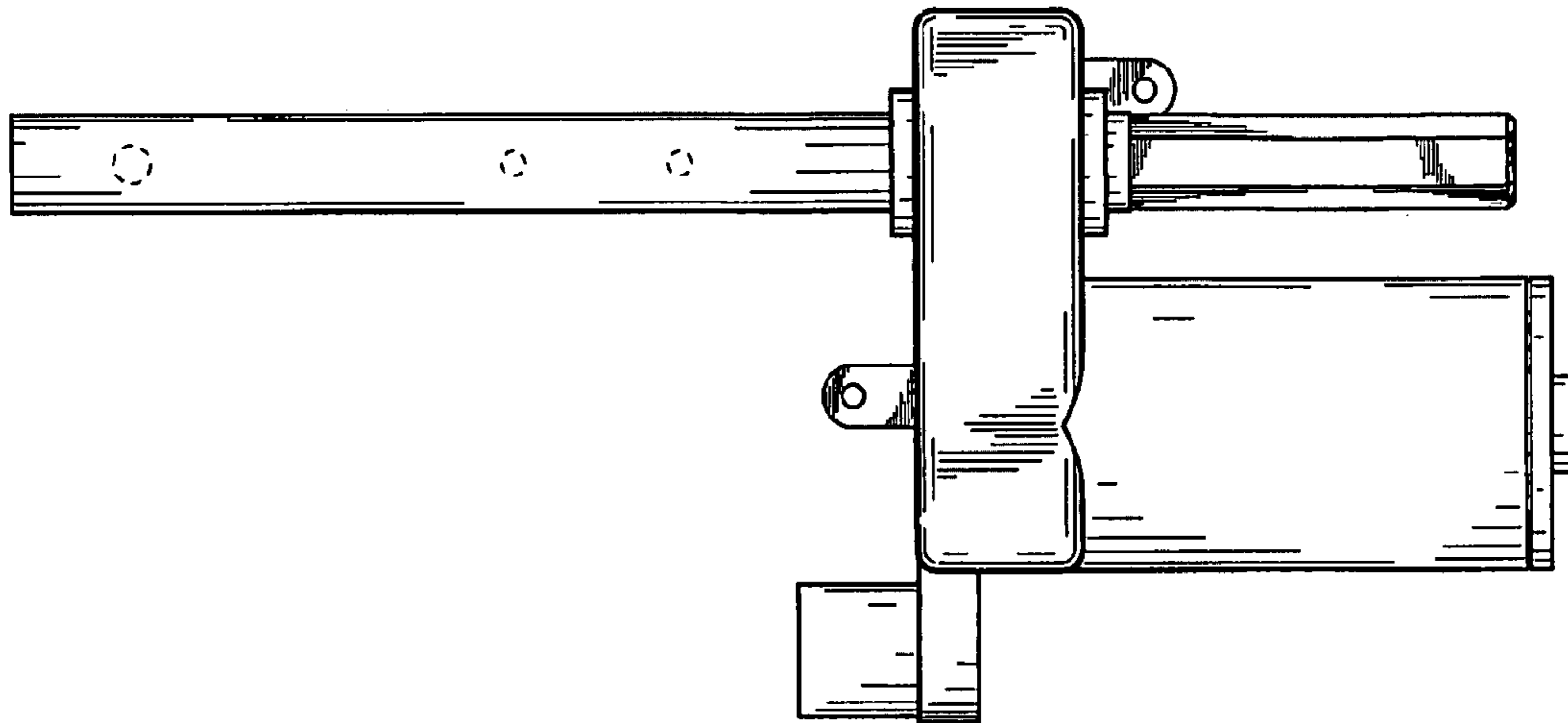


Fig. 3

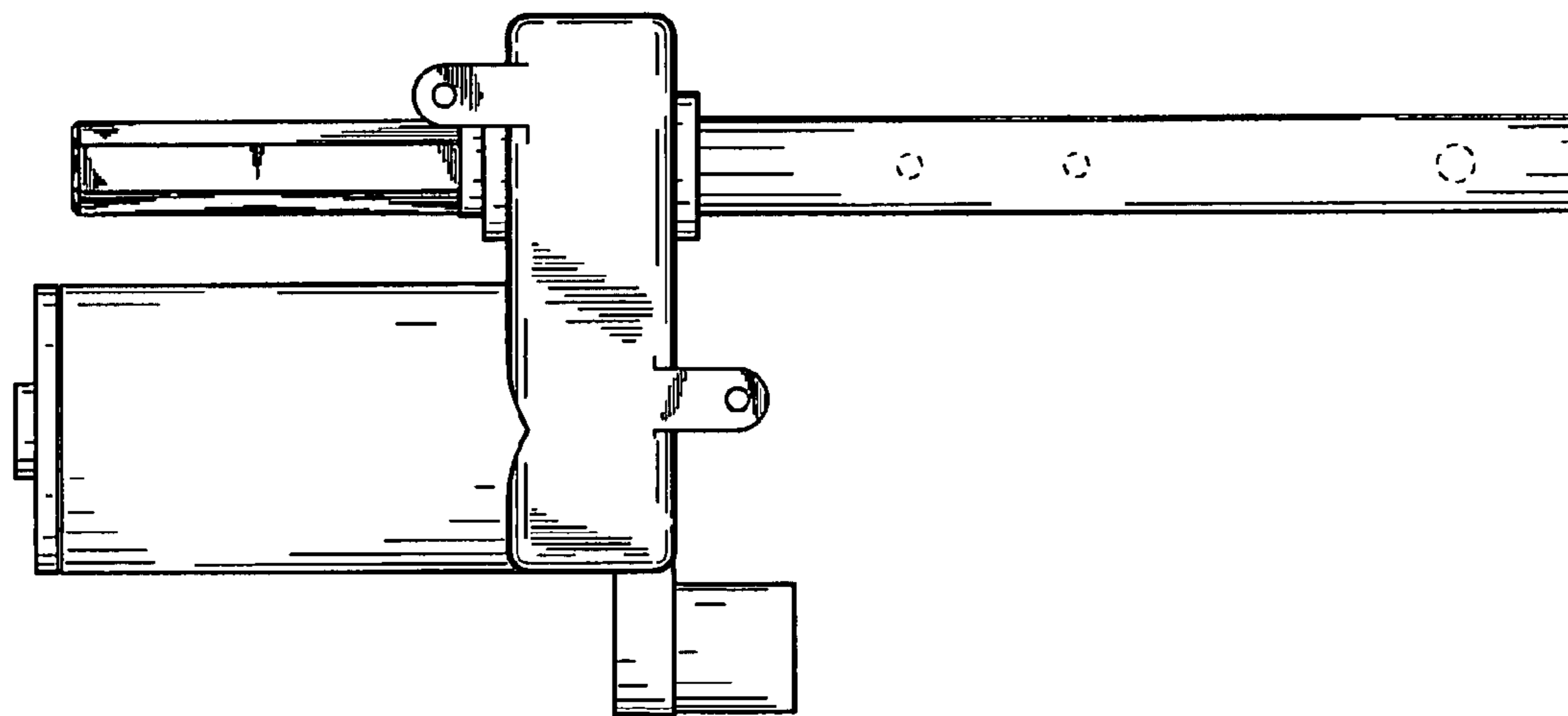


Fig. 4

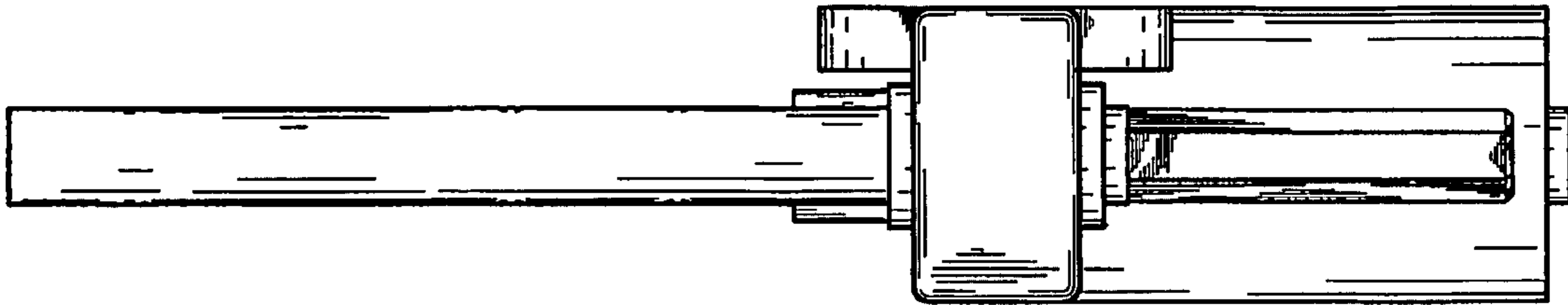


Fig. 5

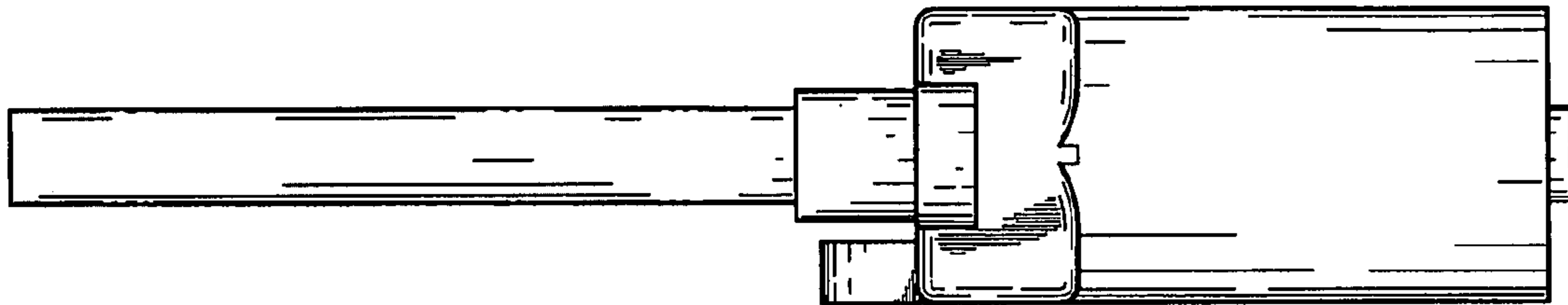


Fig. 6

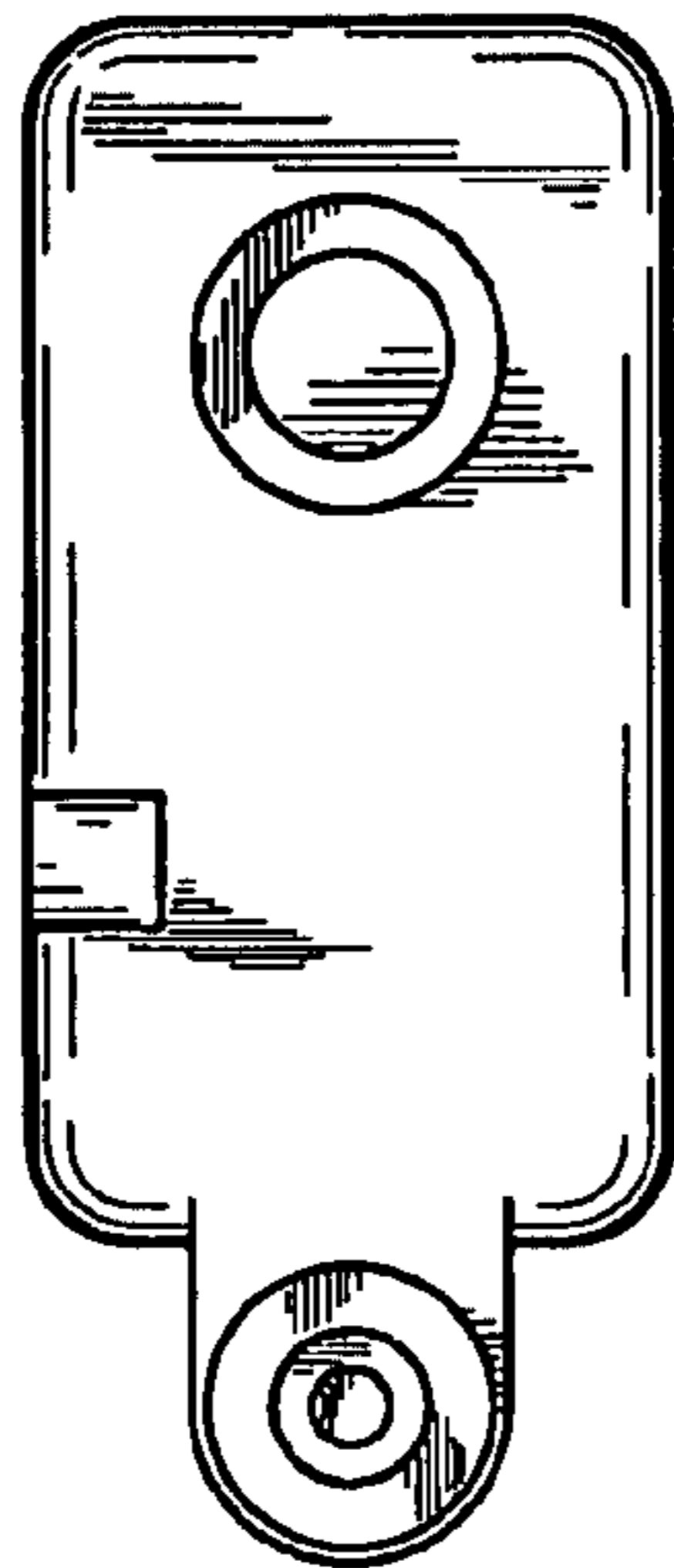


Fig. 7

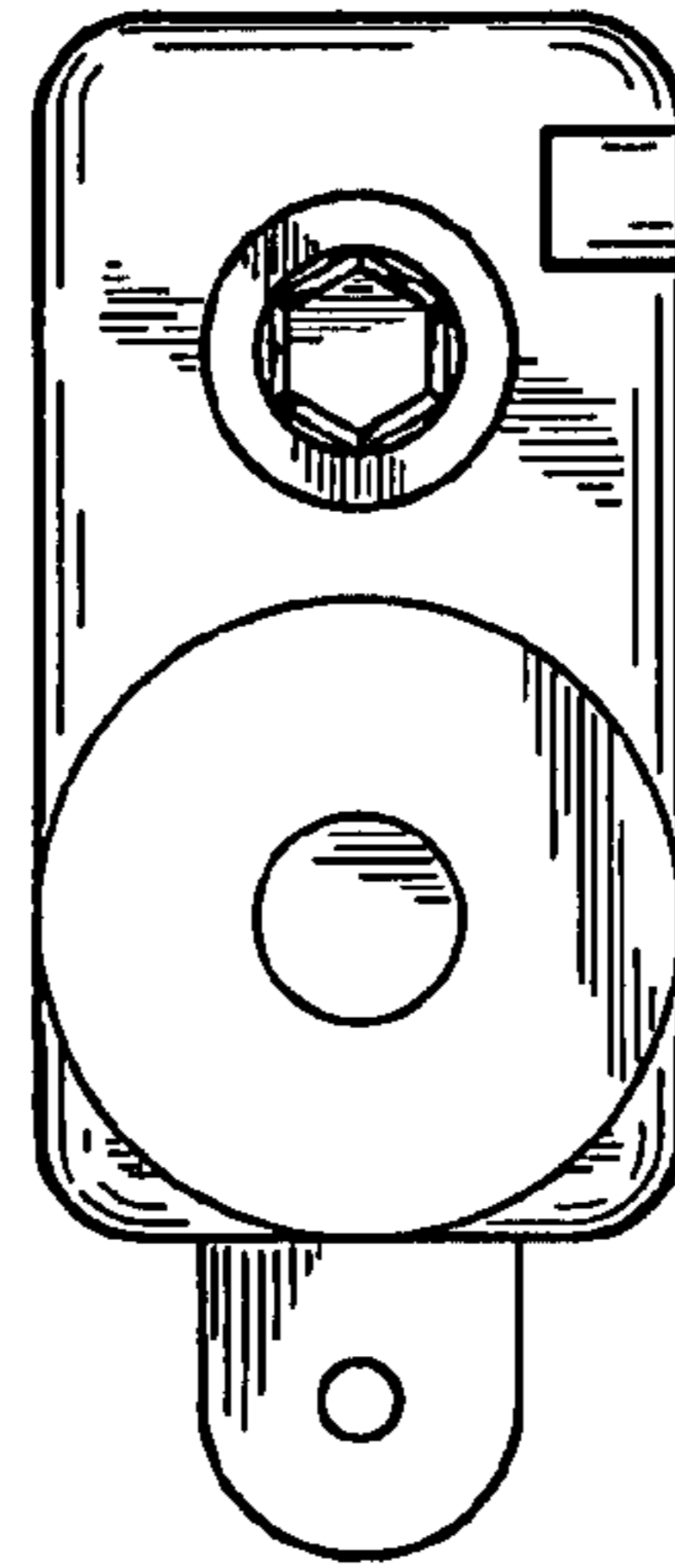


Fig. 8