



US00D560321S

(12) **United States Design Patent**  
**Lynde et al.**

(10) **Patent No.:** **US D560,321 S**  
(45) **Date of Patent:** **\*\* Jan. 22, 2008**

(54) **DISPOSABLE NON-WOVEN CLEANING WIPE**

(75) Inventors: **Kenton Ray Lynde**, Mason, OH (US);  
**Jonathan Joseph Powell**, Cincinnati, OH (US); **Jerome Joo Ge Goh**, San Francisco, CA (US); **Adrian Benton James**, Palo Alto, CA (US)

(73) Assignee: **The Procter & Gamble Company**, Cincinnati, OH (US)

(\*\*) Term: **14 Years**

(21) Appl. No.: **29/285,751**

(22) Filed: **Apr. 9, 2007**

**Related U.S. Application Data**

(62) Division of application No. 29/206,780, filed on Jun. 3, 2004, now Pat. No. Des. 553,315.

(51) **LOC (8) Cl.** ..... **04-01**

(52) **U.S. Cl.** ..... **D32/40**

(58) **Field of Classification Search** ..... D2/919,  
D2/923, 897; D4/199; D6/608; D28/7,  
D28/63; D32/35, 40, 42, 50, 51; 2/158,  
2/159; 15/208, 209.1, 227, 229.11, 210.1,  
15/220.1, 228, 246, 244.1, 244.4, 244.3,  
15/107.94, 104.93, 230, 231, 229.8, 229.4

See application file for complete search history.

(56) **References Cited**

**U.S. PATENT DOCUMENTS**

720,890 A \* 2/1903 Campbell ..... 15/244.3

D188,094 S \* 6/1960 McWethy ..... D32/35  
3,311,937 A \* 4/1967 Conroy ..... 12/142 R  
4,807,322 A \* 2/1989 Littledeer ..... 15/121  
D391,710 S \* 3/1998 Hanaoka ..... D32/40  
2006/0037165 A1\* 2/2006 McDevitt et al. .... 15/227  
2006/0048318 A1\* 3/2006 Goh et al. .... 15/97.1  
2007/0067932 A1\* 3/2007 Young et al. .... 15/104.94

\* cited by examiner

*Primary Examiner*—Clare E Heflin

*Assistant Examiner*—Barbara Fox

(74) *Attorney, Agent, or Firm*—Amy I. Ahn-Roll

(57) **CLAIM**

The ornamental design for a disposable non-woven cleaning wipe, as shown and described.

**DESCRIPTION**

FIG. 1 is a perspective view of one embodiment of a disposable non-woven cleaning wipe, embodying the new design;

FIG. 2 is a rear view thereof, the opposite front view is a mirror image thereto;

FIG. 3 is a left view thereof;

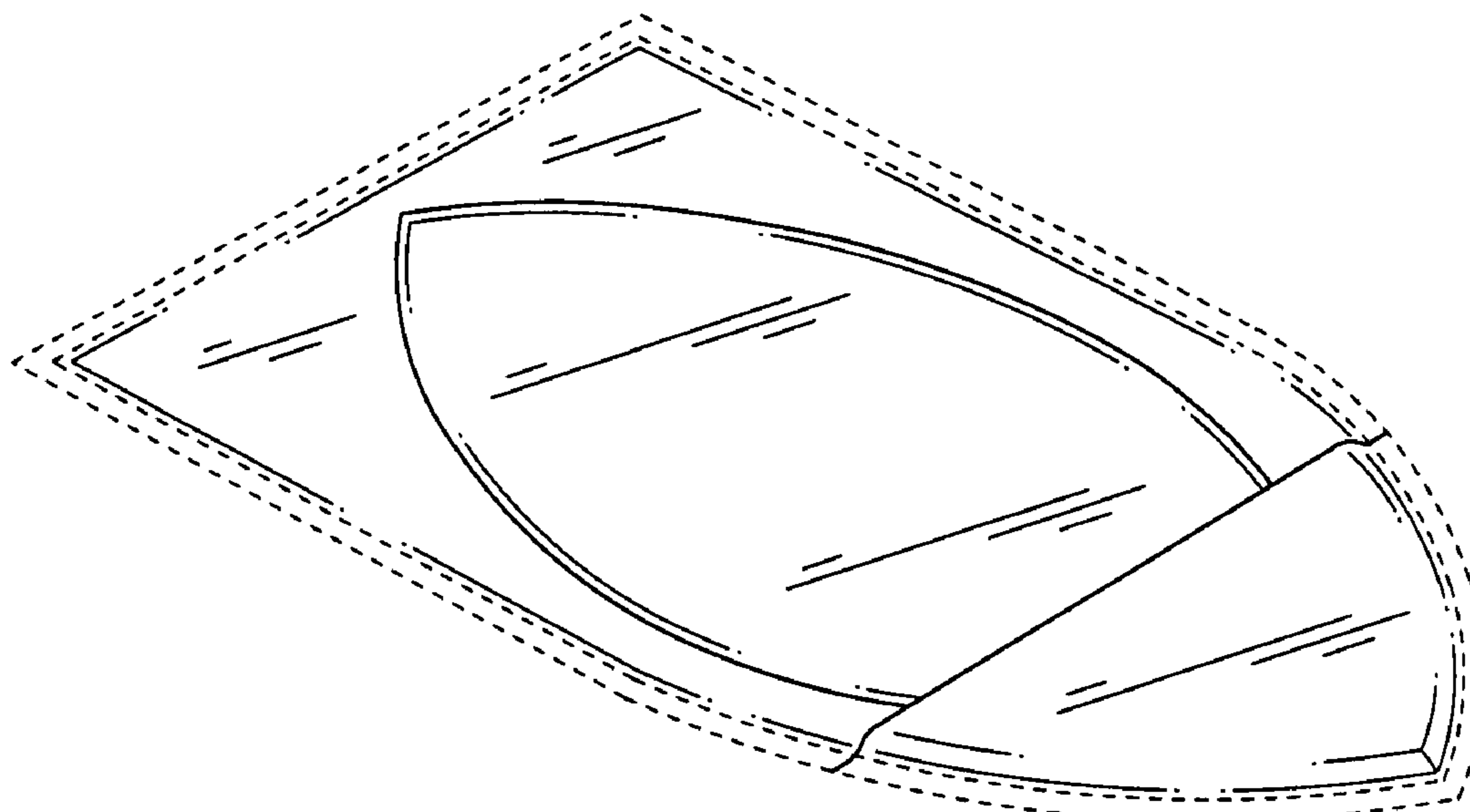
FIG. 4 is a right view thereof;

FIG. 5 is a top view thereof; and,

FIG. 6 is a bottom view thereof.

The broken lines shown in the drawings are for illustrative purposes only and form no part of the claimed design.

**1 Claim, 2 Drawing Sheets**



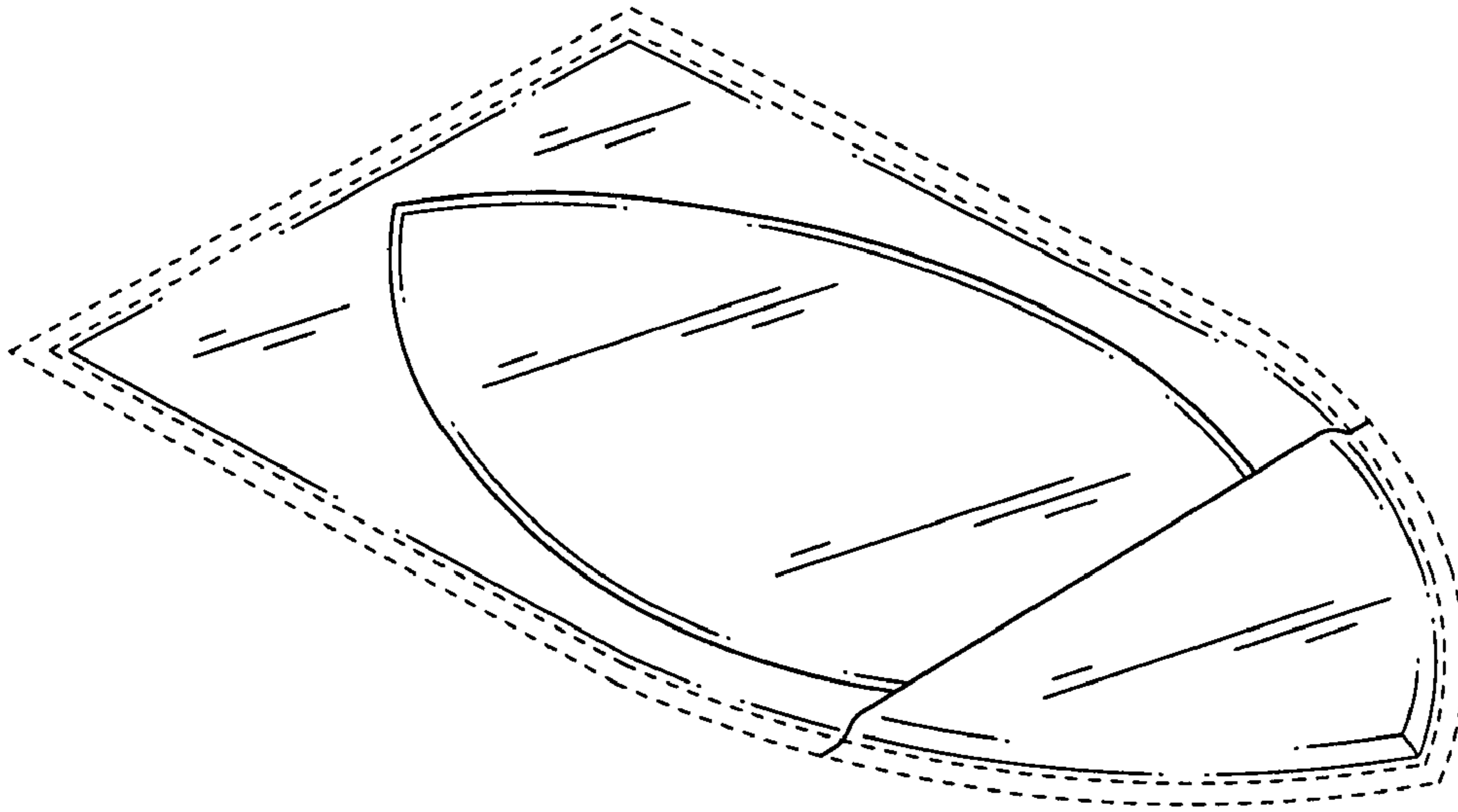


Fig. 1



Fig. 2

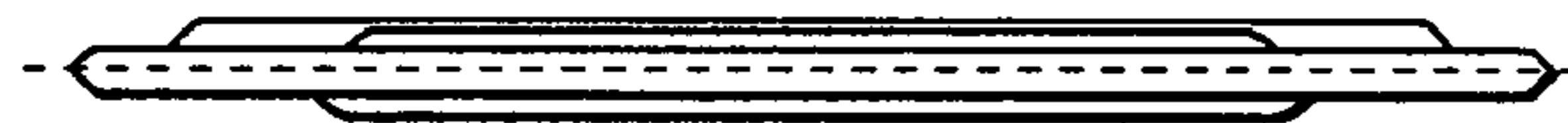


Fig. 3



Fig. 4

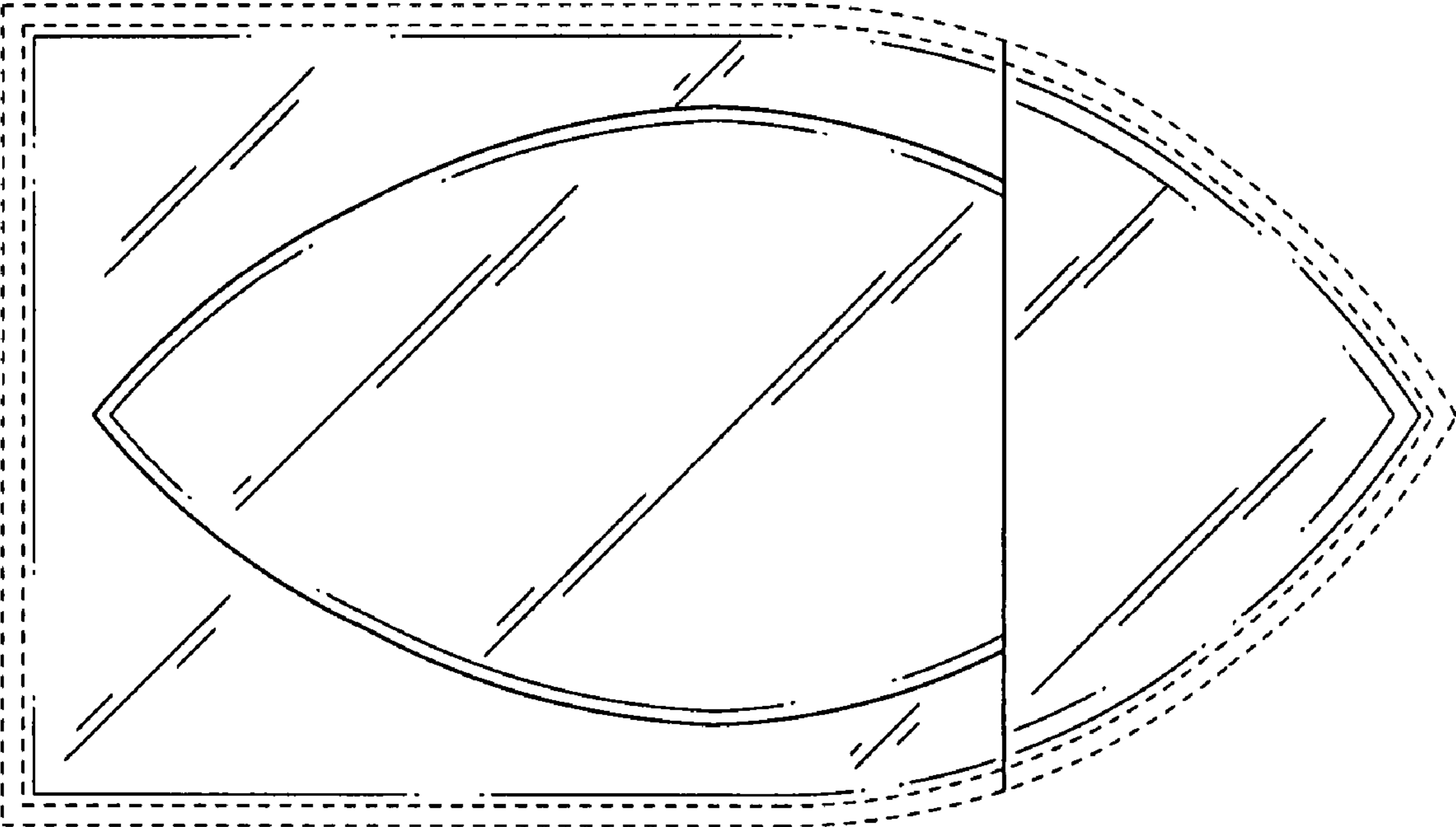


Fig. 5

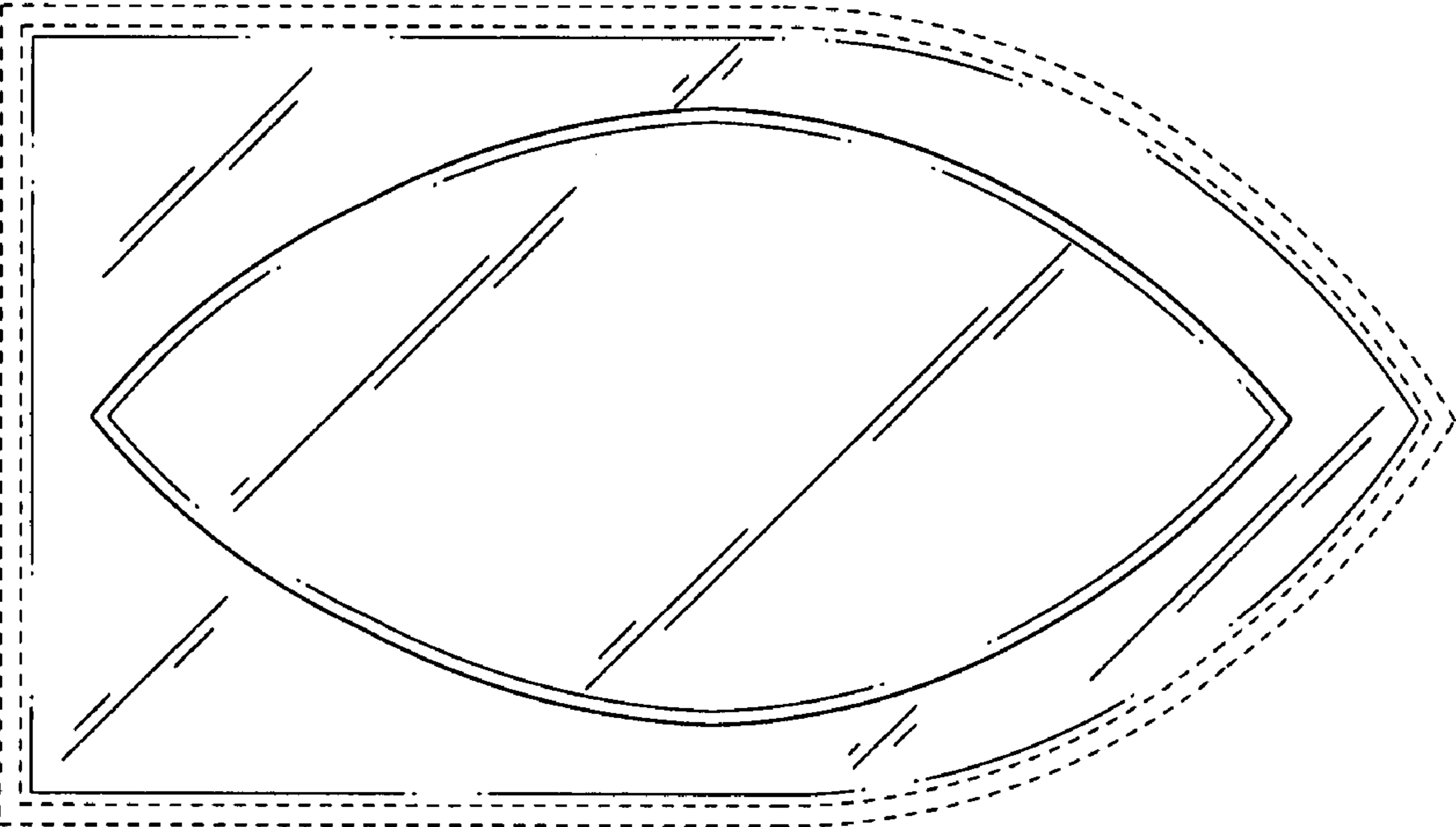


Fig. 6