



US00D560313S

(12) **United States Design Patent**
Frank

(10) **Patent No.:** **US D560,313 S**

(45) **Date of Patent:** **** Jan. 22, 2008**

(54) **CENTER SECTION FOR RESCUE HARNESS**

(75) Inventor: **James Frank**, Goleta, CA (US)

(73) Assignee: **CMC Rescue, Inc.**, Santa Barbara, CA (US)

(**) Term: **14 Years**

(21) Appl. No.: **29/285,962**

(22) Filed: **Apr. 16, 2007**

(51) **LOC (8) Cl.** **29-02**

(52) **U.S. Cl.** **D29/101.1**

(58) **Field of Classification Search** D29/101.1,
D29/10, 11; D24/190, 191; D2/2, 10, 190,
D2/191; 2/2, 44, 45; 119/96, 109; 128/846,
128/869, 875; 287/465, 468, 486, 487
See application file for complete search history.

(56) **References Cited**

U.S. PATENT DOCUMENTS

915,191	A *	3/1909	Knowles	2/305
1,574,672	A *	2/1926	McCarroll-Doull	128/875
1,639,424	A *	8/1927	Breslin	128/875
2,516,004	A *	7/1950	Kajdan	244/151 R
D312,332	S *	11/1990	Reeves	D29/101.1
D339,217	S *	9/1993	McCue et al.	D29/101.1
5,259,833	A *	11/1993	Barnett	602/19
5,279,386	A	1/1994	Cearley		
5,379,725	A *	1/1995	Roberson et al.	119/770

D454,986	S *	3/2002	Casebolt et al.	D29/101.1
6,367,582	B1 *	4/2002	Derby	182/3
D522,178	S *	5/2006	Ashline	D29/101.1
2007/0182235	A1 *	8/2007	Fonseca De Arruda et al.	. . .	297/ 468

* cited by examiner

Primary Examiner—Gary D. Watson

Assistant Examiner—Barbara B Lohr

(74) *Attorney, Agent, or Firm*—Christie, Parker & Hale, LLP

(57) **CLAIM**

The ornamental design for center section for rescue harness, as shown and described.

DESCRIPTION

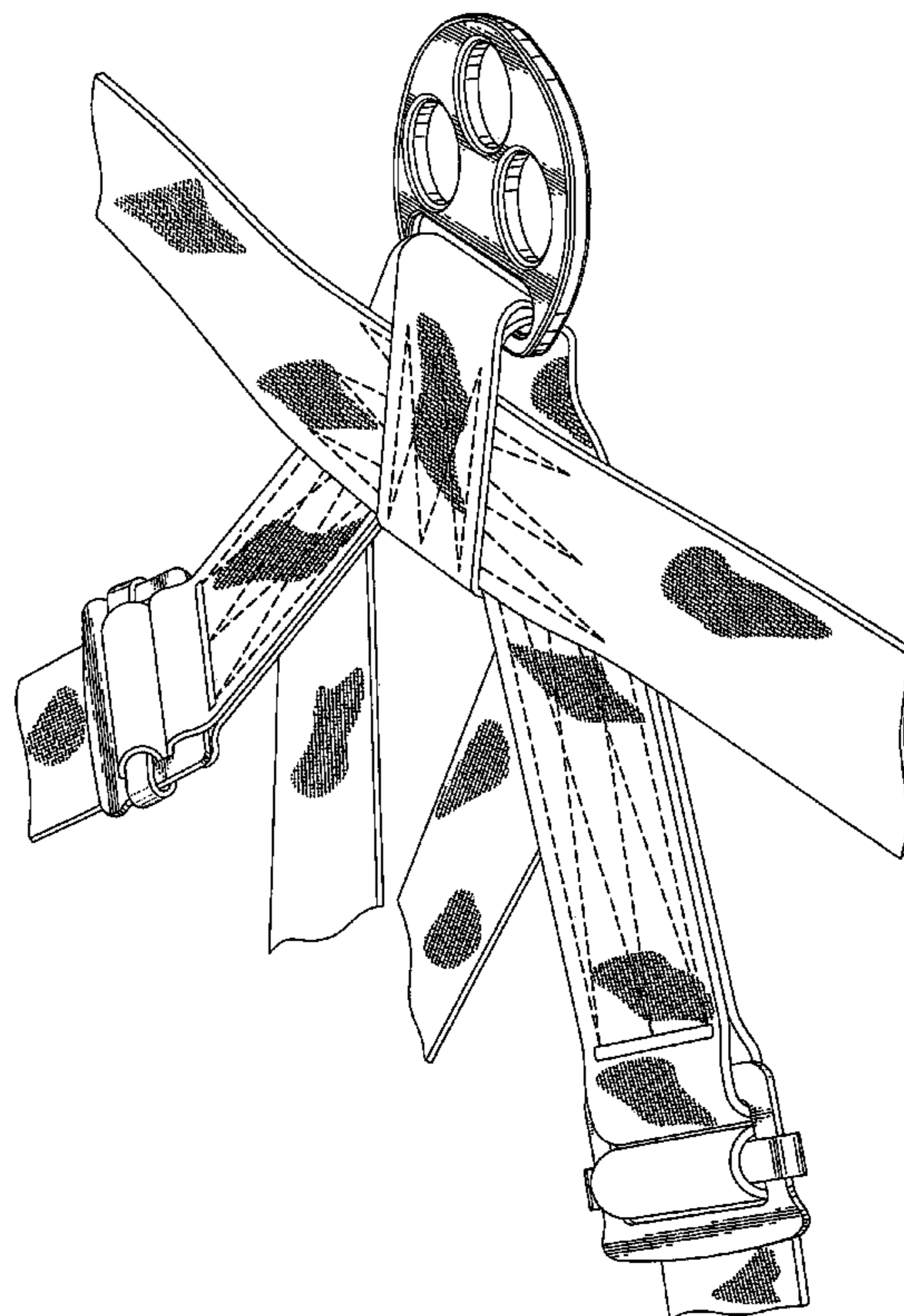
FIG. 1 is a perspective view of the harness center section according to the present invention.

FIG. 2 is a front elevation view of the harness center section of FIG. 1; and,

FIG. 3 is a rear elevation view of the harness center section of FIG. 1.

The broken lines shown in all views are understood to represent stitching. The fragmented cross-hatching is understood to represent the weave of the fabric and would repeat uniformly throughout the indicated areas.

1 Claim, 3 Drawing Sheets



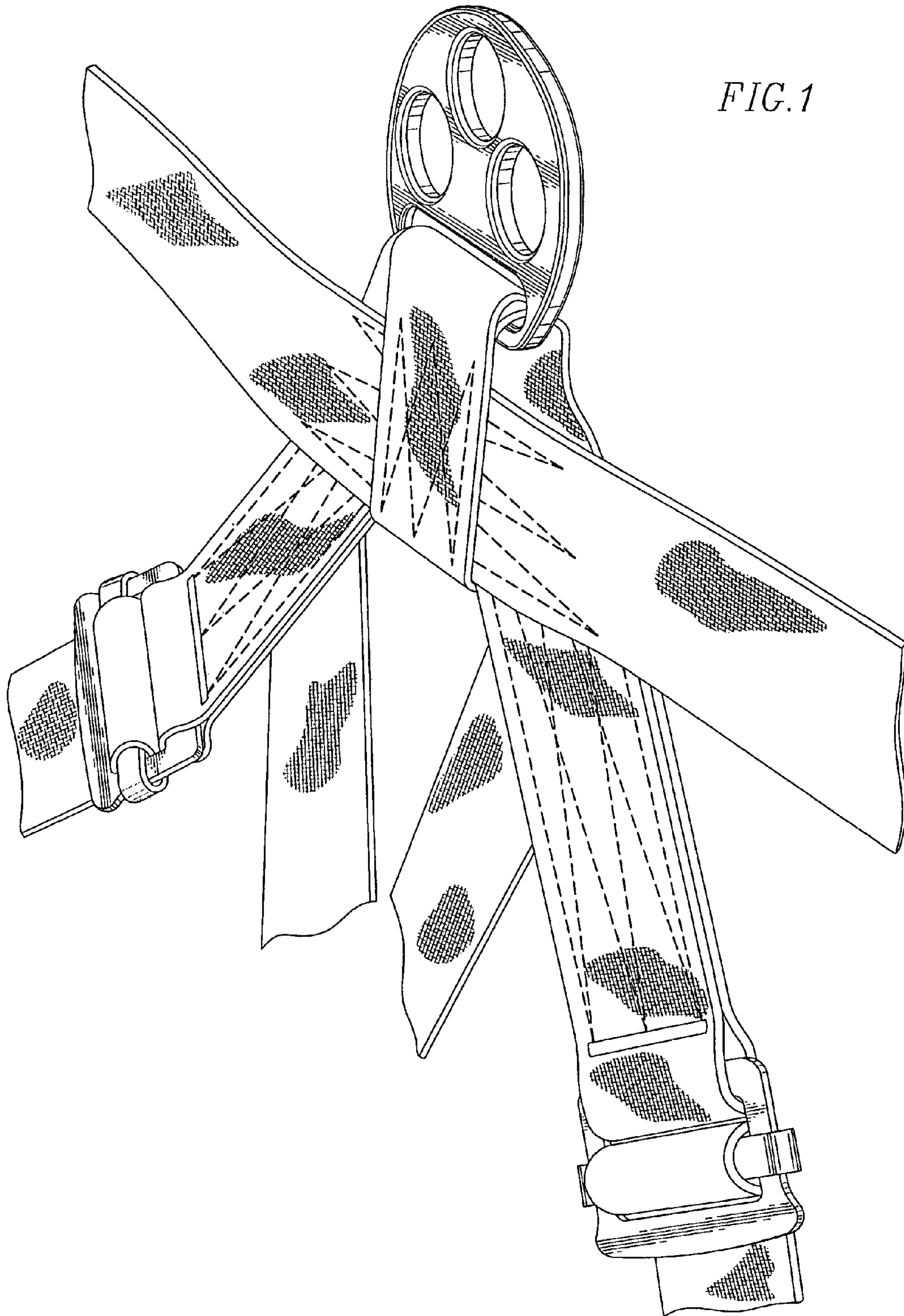


FIG. 1

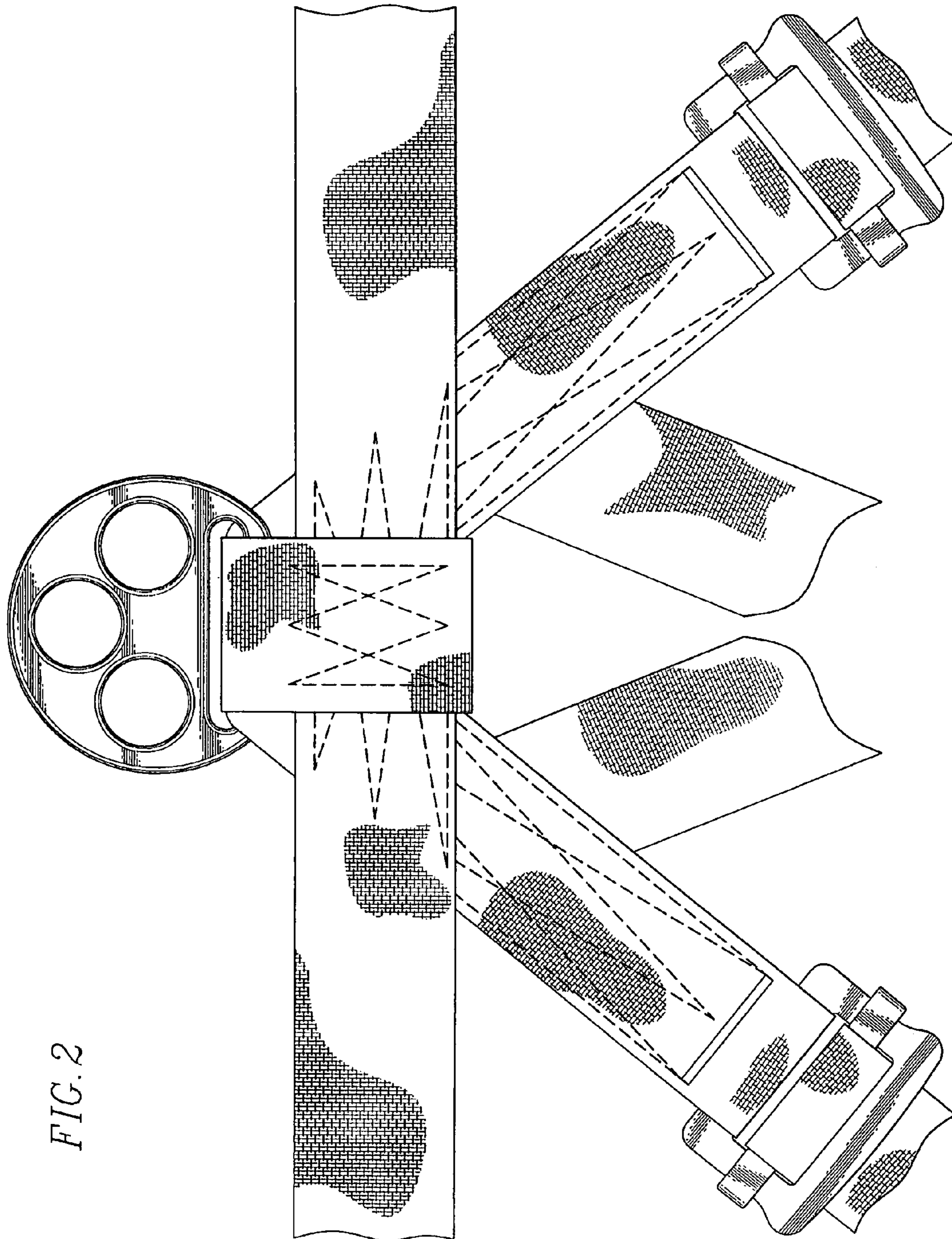


FIG. 2

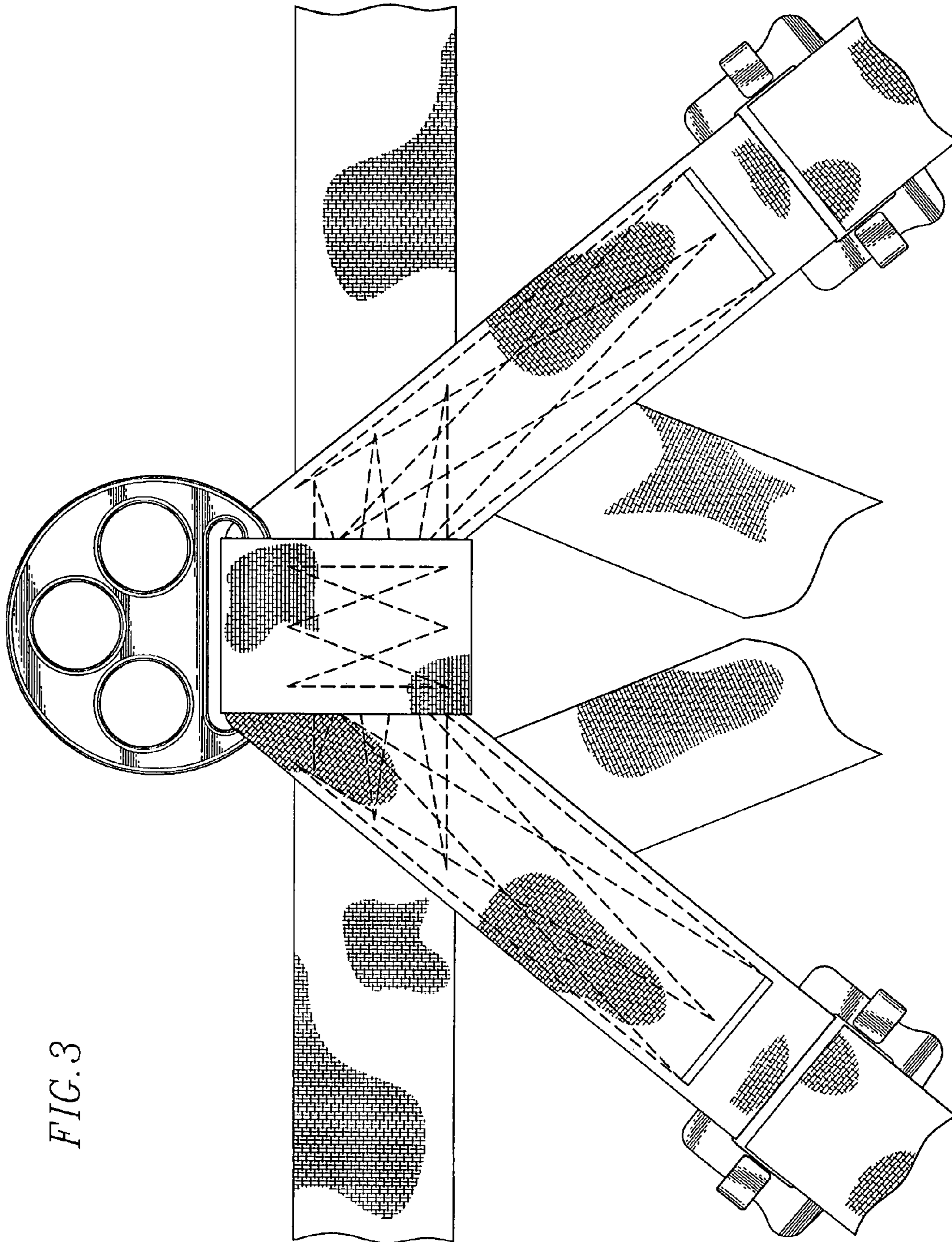


FIG. 3