



US00D560311S

(12) **United States Design Patent**
Li et al.

(10) **Patent No.:** **US D560,311 S**
(45) **Date of Patent:** **** Jan. 22, 2008**

(54) **HAIR TRIMMER STAND**
(75) Inventors: **Fivetiger Li**, Wahl Ningbo (CN); **Steve Yde**, Sterling, IL (US)
(73) Assignee: **Wahl Clipper Corporation**, Sterling, IL (US)

D465,304 S 11/2002 Bushman
D466,700 S 12/2002 Richmond et al.
D469,221 S 1/2003 Cozzolino et al.
D471,578 S 3/2003 Okuley
D493,573 S * 7/2004 Graf D28/53
D512,686 S * 12/2005 Langley et al. D28/73
D513,346 S 12/2005 Buck, Jr.
D519,682 S * 4/2006 Choi D28/73
D520,446 S * 5/2006 Liu et al. D13/108
D525,583 S * 7/2006 Vu D13/108
2002/0153863 A1 10/2002 Steven

(**) Term: **14 Years**

(21) Appl. No.: **29/255,254**

(22) Filed: **Mar. 6, 2006**

(51) **LOC (8) Cl.** **28-03**
(52) **U.S. Cl.** **D28/73**
(58) **Field of Classification Search** D28/53,
D28/54, 73; 30/537, 541, 34.05; D13/107,
D13/108; 206/351, 581, 823; 320/115
See application file for complete search history.

* cited by examiner

Primary Examiner—Jennifer Rivard
(74) *Attorney, Agent, or Firm*—Greer, Burns & Crain, Ltd.

(57) **CLAIM**

The ornamental design for a hair trimmer stand, as shown and described.

(56) **References Cited**

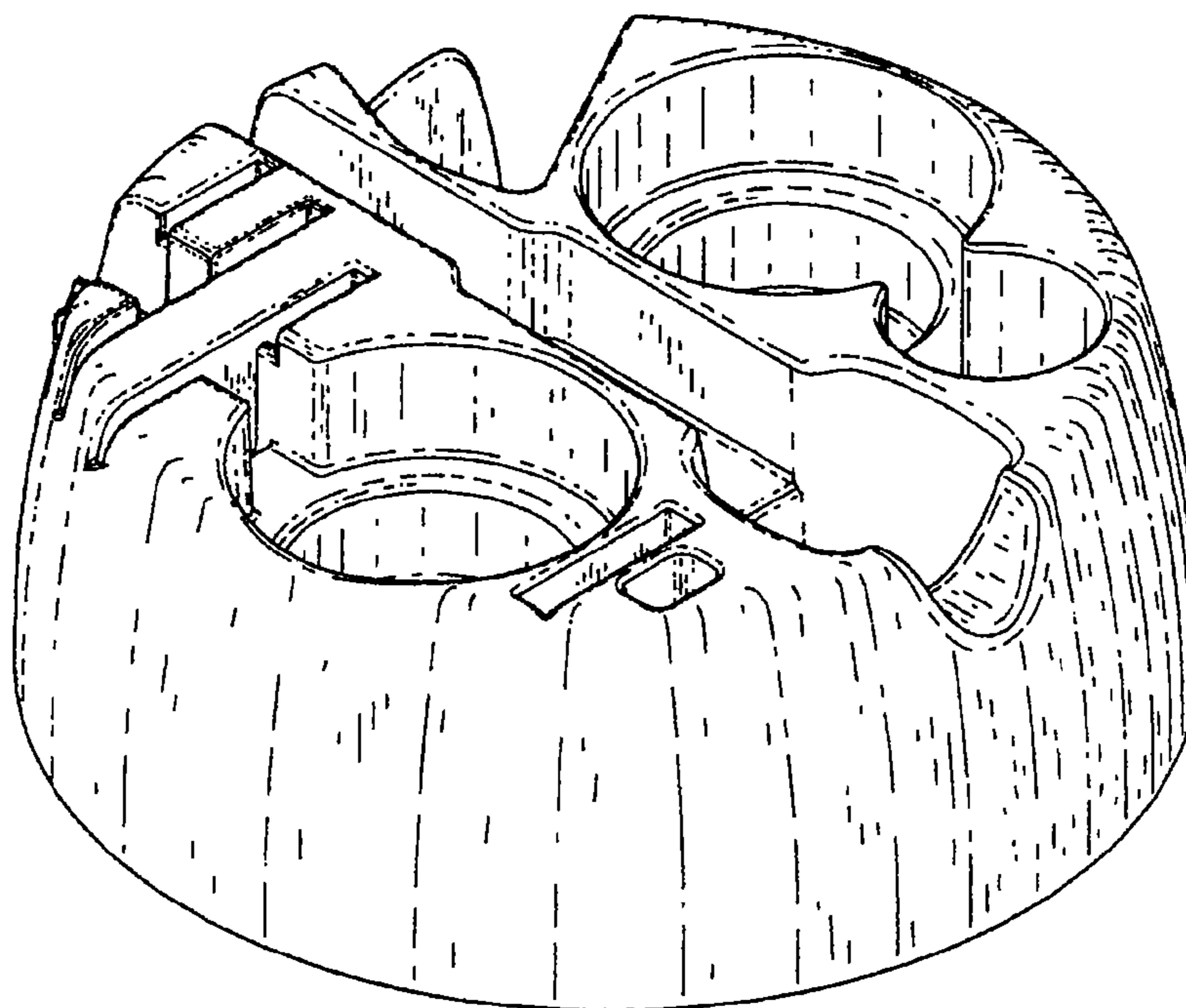
U.S. PATENT DOCUMENTS

4,533,051 A * 8/1985 Fleming 206/581
D287,648 S 1/1987 Wahl et al.
D339,655 S 9/1993 Sulik
D360,485 S 7/1995 Simonelli
5,457,887 A * 10/1995 Grange 30/541
D426,676 S 6/2000 Bushman
D426,921 S * 6/2000 Renfrew D28/73
6,112,414 A * 9/2000 Andis et al. 30/34.05
D435,938 S 1/2001 Bushman
D454,982 S * 3/2002 Renfrew D28/73
D455,397 S 4/2002 Weiner et al.

DESCRIPTION

FIG. 1 is a top perspective view of the present hair trimmer stand;
FIG. 2 is a front view of the same;
FIG. 3 is a right side view of the same;
FIG. 4 is a rear view of the same;
FIG. 5 is a left side view of the same;
FIG. 6 is a top view of the same; and,
FIG. 7 is a bottom view of the same.

1 Claim, 3 Drawing Sheets



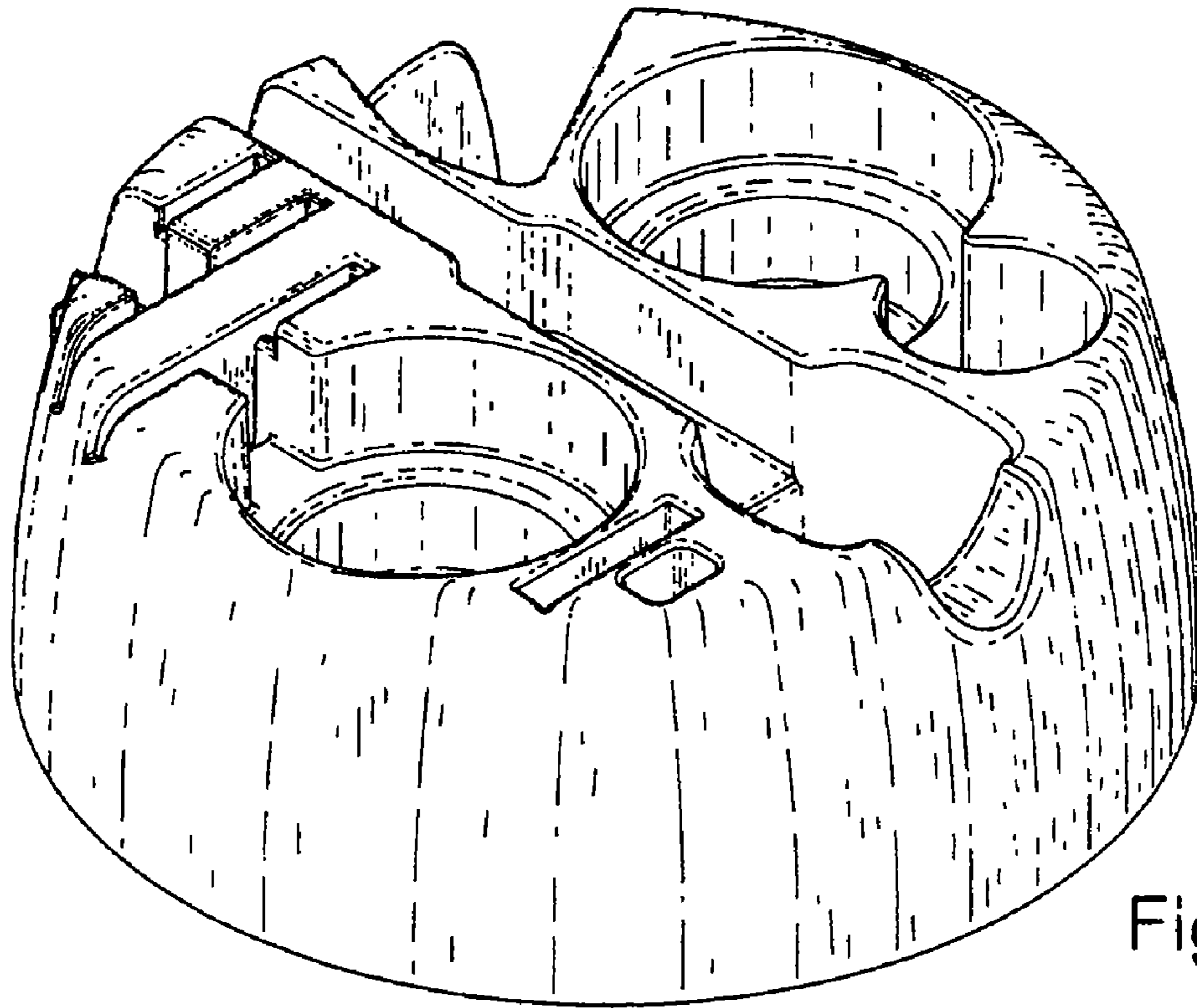


Fig.1

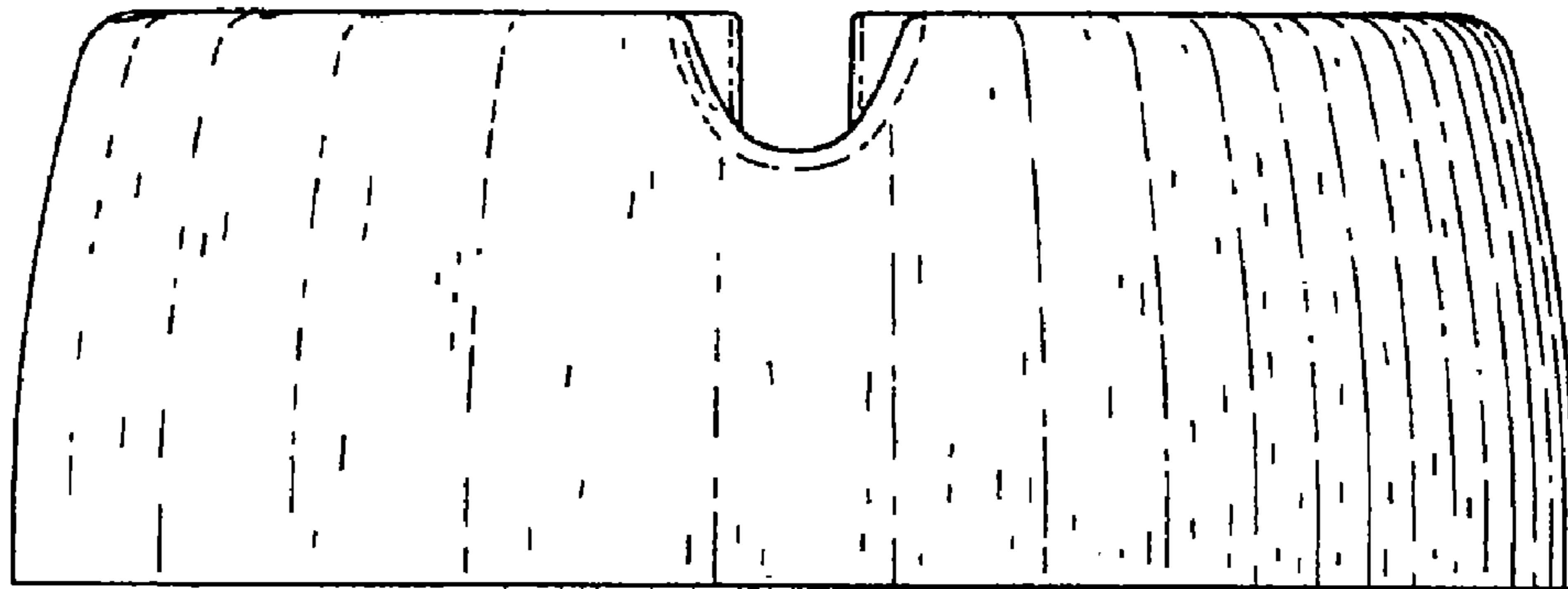


Fig.2

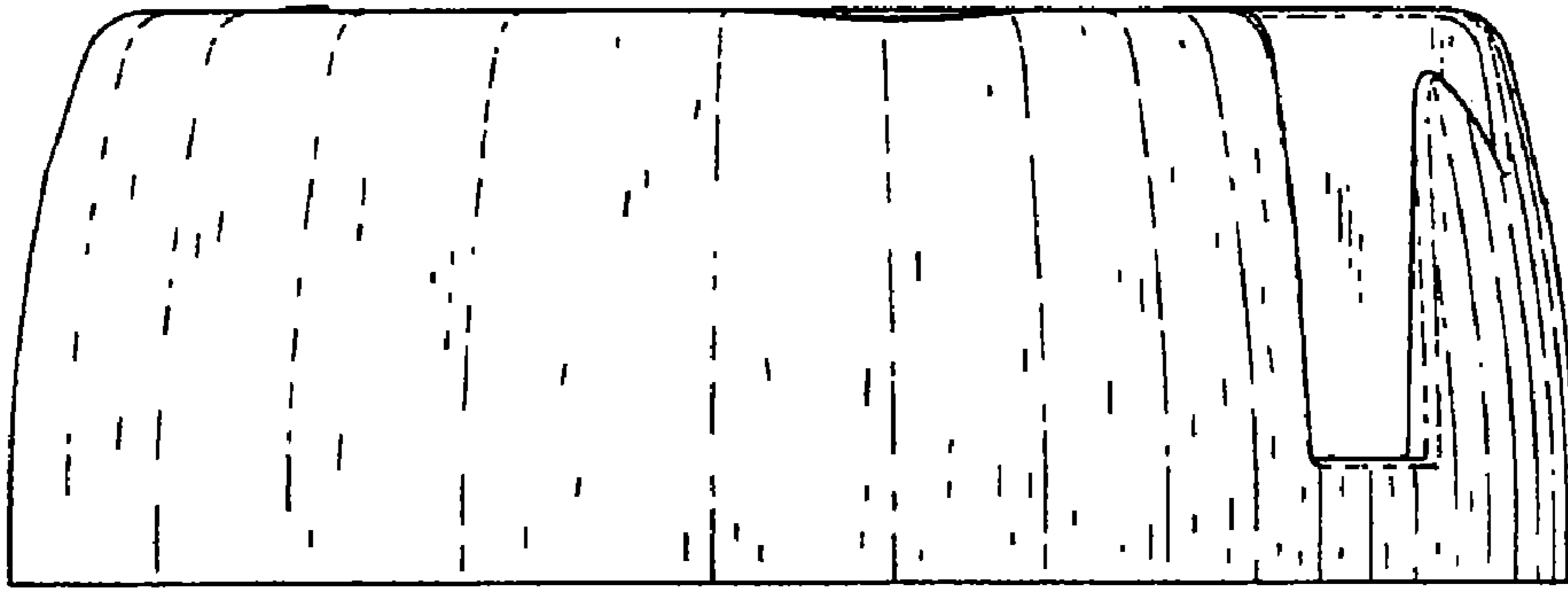


Fig.3

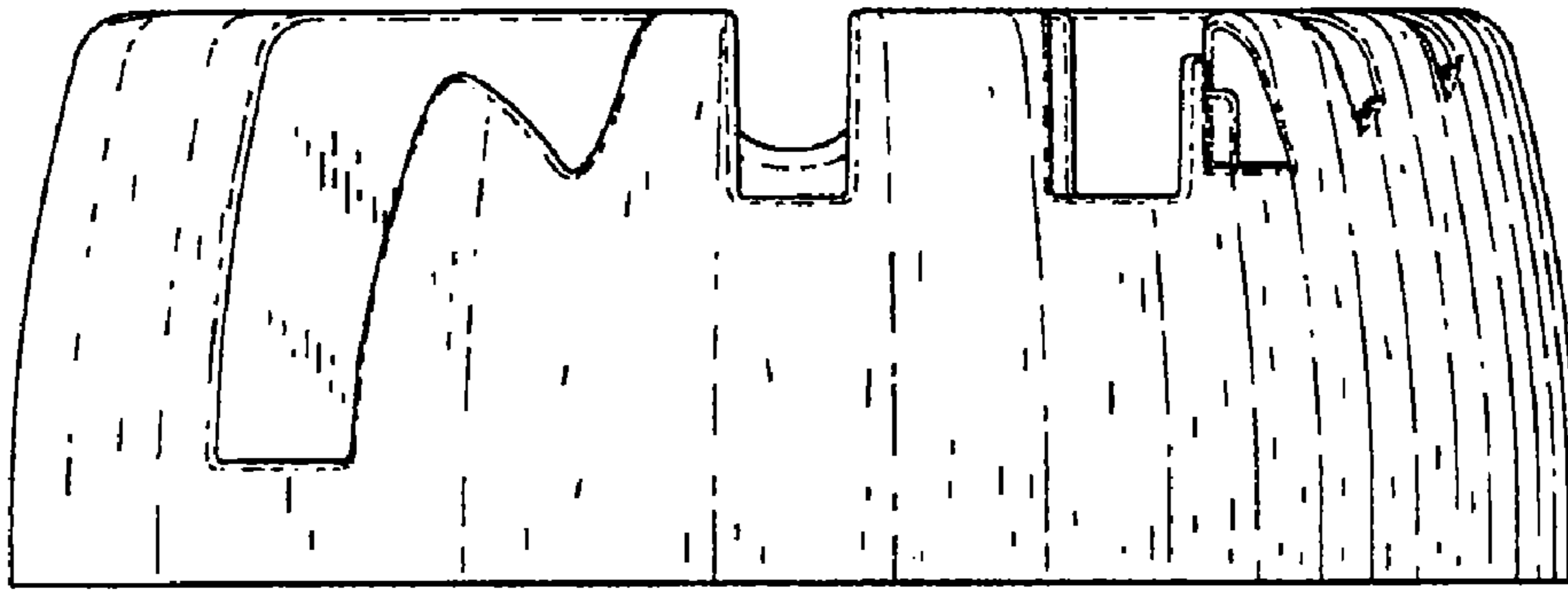


Fig.4

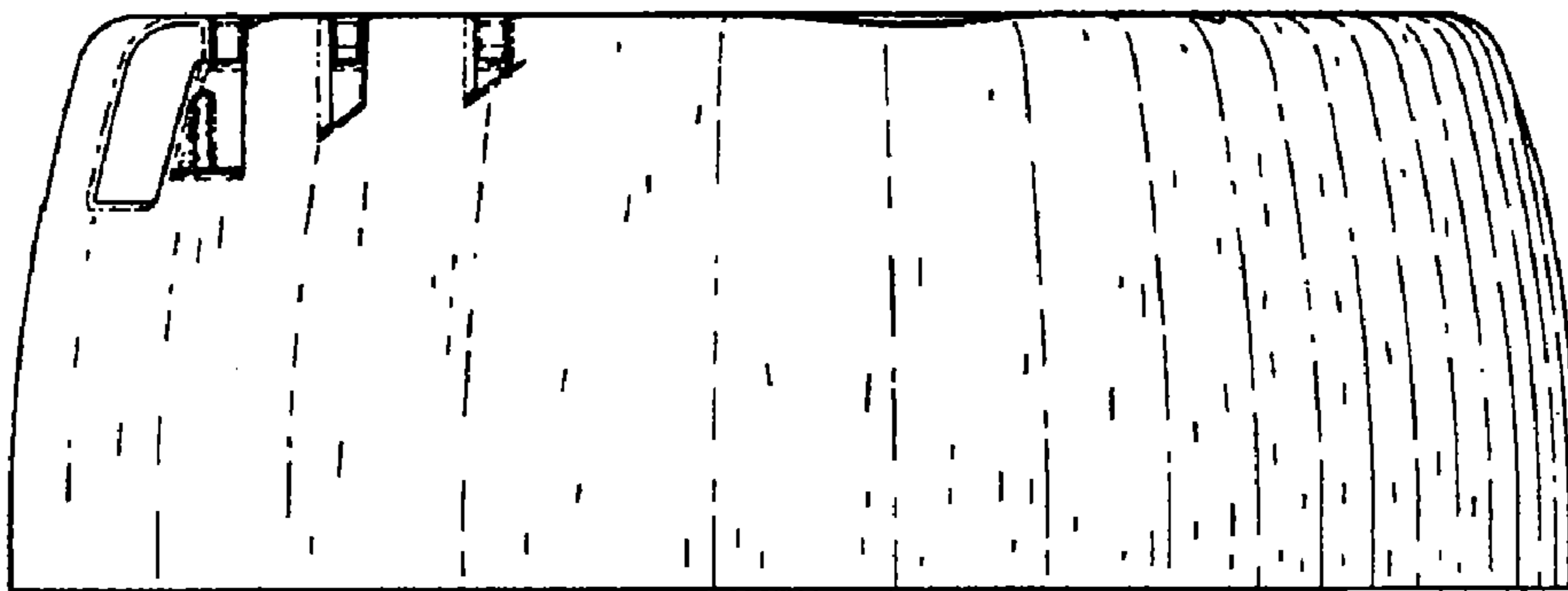


Fig.5

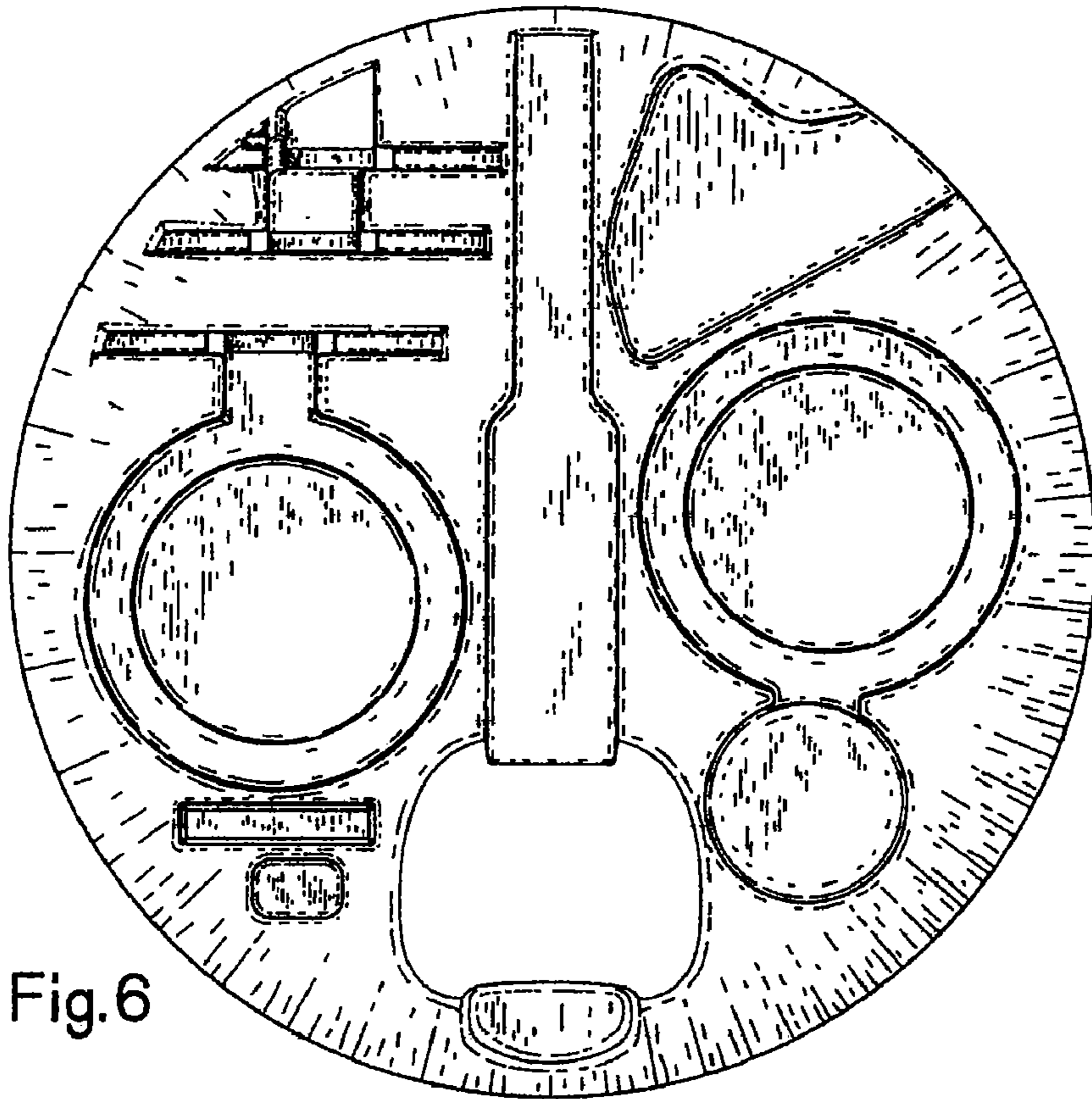


Fig.6

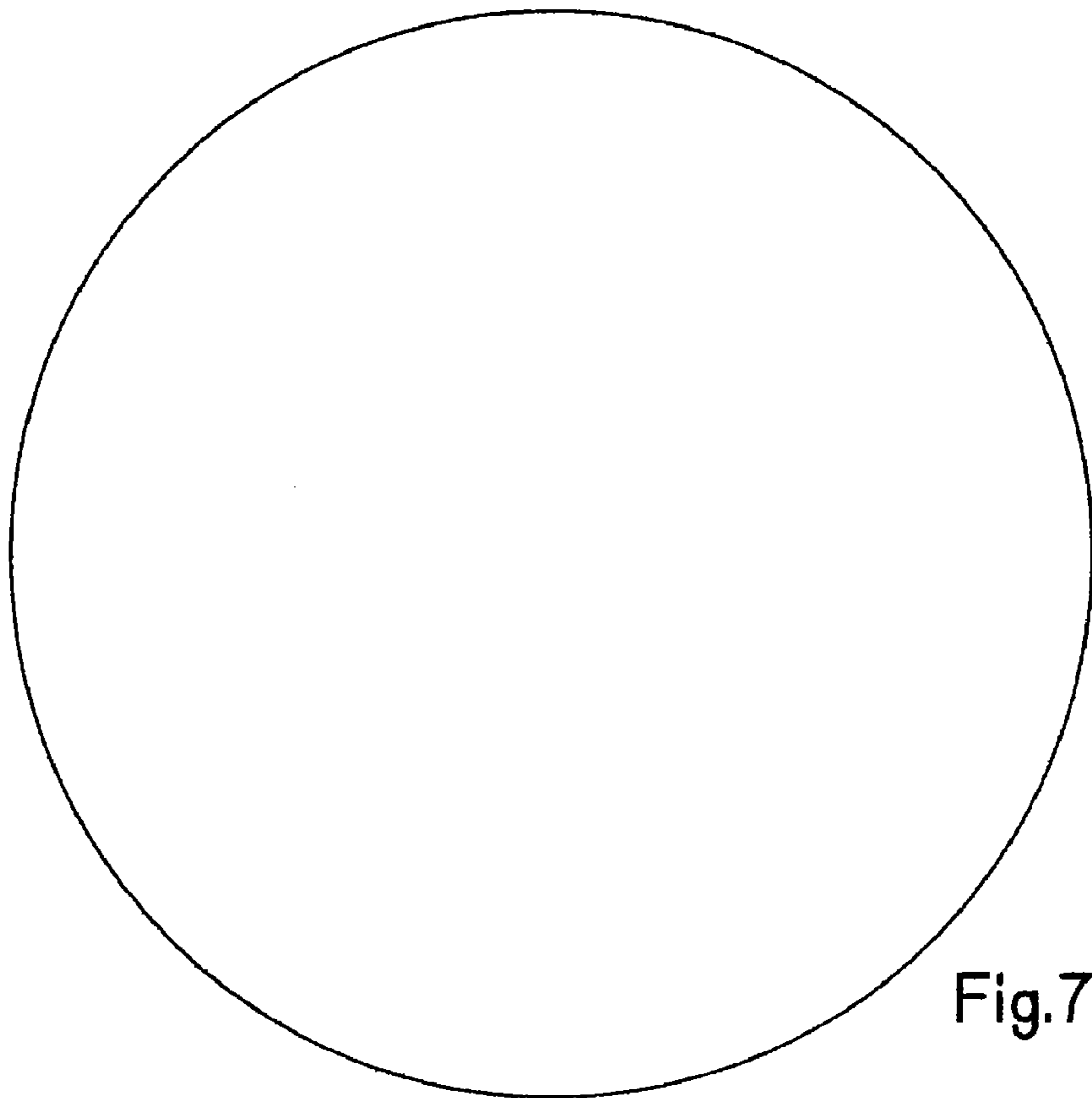


Fig.7