



US00D560310S

(12) **United States Design Patent** (10) **Patent No.:** **US D560,310 S**
Le (45) **Date of Patent:** **** Jan. 22, 2008**

(54) **PEDICURE SPA**

(75) Inventor: **Thanh Van Le**, Richardson, TX (US)

(73) Assignee: **Beauty Mall Ltd.**, Garland, TX (US)

(**) Term: **14 Years**

(21) Appl. No.: **29/275,895**

(22) Filed: **Jan. 9, 2007**

(51) **LOC (8) Cl.** **28-03**

(52) **U.S. Cl.** **D28/56; D24/205**

(58) **Field of Classification Search** 4/541.1–541.6,
4/546, 574.1, 622; D28/9, 56, 57, 61; D24/204,
D24/205

See application file for complete search history.

(56) **References Cited**

U.S. PATENT DOCUMENTS

D412,600 S	8/1999	Oh et al.	
D429,379 S *	8/2000	Kim	D28/56
D429,380 S *	8/2000	Fontier et al.	D28/56
D435,937 S	1/2001	Back et al.	
6,732,387 B1	5/2004	Waldron	
6,775,861 B1	8/2004	Devereaux et al.	
2004/0060108 A1 *	4/2004	Hoon Park	4/622
2004/0177438 A1	9/2004	Gruenwald et al.	
2006/0101572 A1 *	5/2006	Masuda	4/541.5
2006/0242760 A1	11/2006	Chao	
2006/0288479 A1	12/2006	Chang	
2007/0136944 A1 *	6/2007	Long	4/622

OTHER PUBLICATIONS

Website: <http://web.archive.org/web/20030403022112/http://www.gulfstreamplastics.com/www.gulfstreamplastics.com>; Gulfstream Plastics, Ltd., The Rainbow, archived Apr. 3, 2003, copyright 2002, printed Jun. 15, 2007, 2 pages.

Website: <http://web.archive.org/web/20030403022112/http://www.gulfstreamplastics.com/www.gulfstreamplastics.com>, Gulfstream Plastics, Ltd., Ampro, archived Apr. 3, 2003, printed Jun. 15, 2007, 2 pages.

Website: <http://web.archive.org/web/20030403022112/http://www.gulfstreamplastics.com/www.gulfstreamplastics.com>, Gulfstream Plastics, Ltd., Eden, archived Apr. 3, 2003, printed Jun. 15, 2007, 2 pages.

Website: <http://web.archive.org/web/20030403022112/http://www.gulfstreamplastics.com/www.gulfstreamplastics.com>, Gulfstream Plastics, Ltd., Deluxe, archived Apr. 3, 2003, printed Jun. 15, 2007, 2 pages.

Website: <http://web.archive.org/web/20030403022112/http://www.gulfstreamplastics.com/www.gulfstreamplastics.com>, Gulfstream Plastics, Ltd., Zen Spa, archived Apr. 3, 2003, printed Jun. 15, 2007, 2 pages.

Website: <http://web.archive.org/web/20030403022112/http://www.gulfstreamplastics.com/www.gulfstreamplastics.com>, Gulfstream Plastics, Ltd., Pro, archived Apr. 3, 2003, printed Jun. 15, 2007, 2 pages.

Website: <http://web.archive.org/web/20030403022112/http://www.gulfstreamplastics.com/www.gulfstreamplastics.com>, Gulfstream Plastics, Ltd., Queen, archived Apr. 3, 2003, printed Jun. 15, 2007, 2 pages.

(Continued)

Primary Examiner—Jennifer Rivard
(74) *Attorney, Agent, or Firm*—Fish & Richardson P.C.

(57) **CLAIM**

The ornamental design for a pedicure spa, as shown and described.

DESCRIPTION

FIG. 1 is a perspective view of a pedicure spa showing my new design;

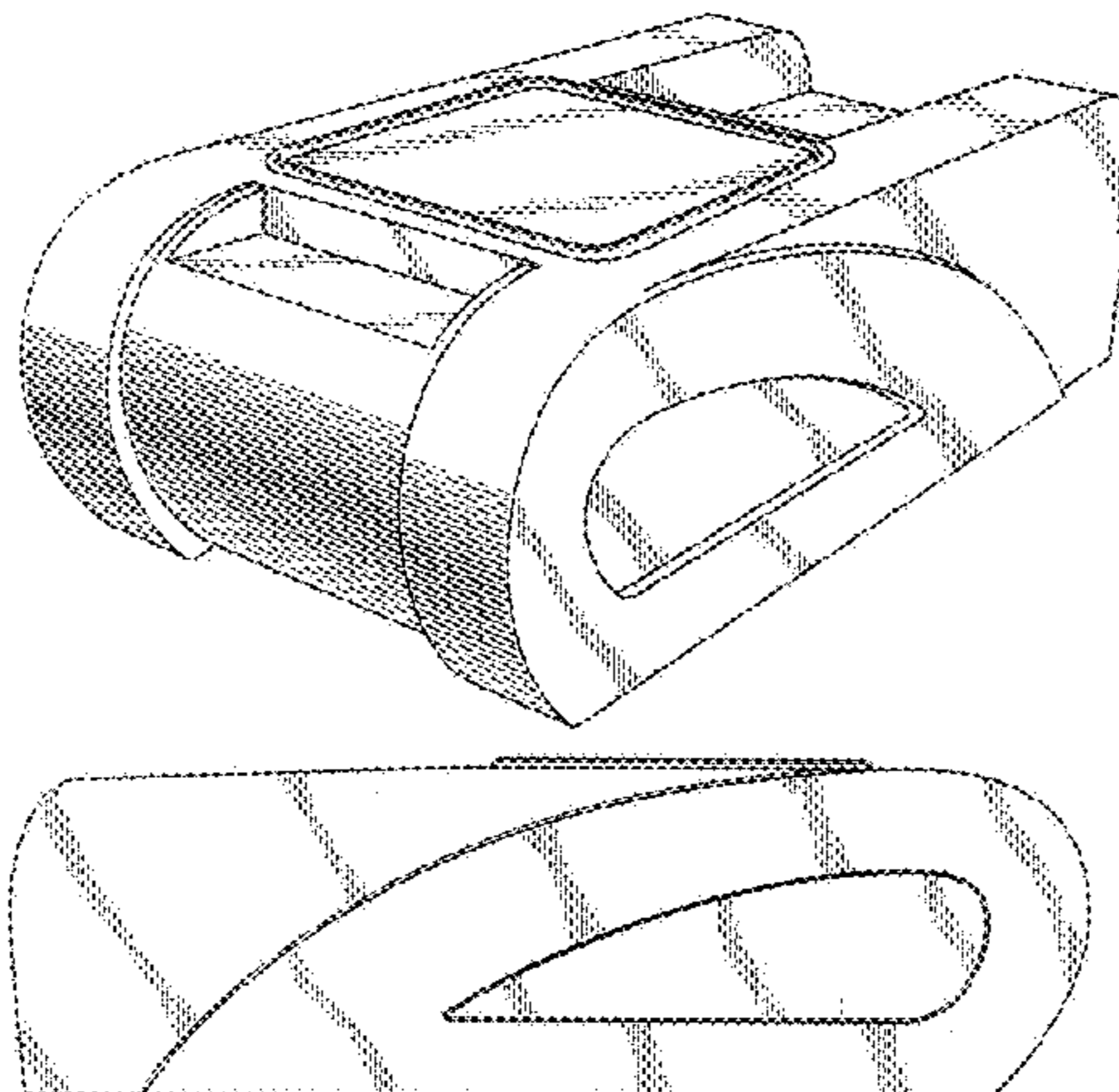
FIG. 2 is a side view of a first side thereof, and the opposite side is a mirror image of the side view shown in FIG. 2;

FIG. 3 is a top view thereof;

FIG. 4 is a front view thereof; and,

FIG. 5 is a back view thereof.

1 Claim, 2 Drawing Sheets



OTHER PUBLICATIONS

Website: <http://web.archive.org/web/20040826081604/http://www.gulfstreamplastics.com/www.gulfstreamplastics.com>, Gulfstream Plastics, Ltd., LaFleur Spas, archived Aug. 26, 2004, printed Jun. 15, 2007, 1 page.

Website: [http://www.gulfstreamplastics.com/Gulfstream Plastics, Ltd. La Fleur Spas](http://www.gulfstreamplastics.com/Gulfstream%20Plastics,Ltd.LaFleurSpas), copyright 2006, printed May 22, 2007, 5 pages.

Website: [http://www.gulfstreamplastics.com/Gulfstream Plastics, Ltd., LaTulip](http://www.gulfstreamplastics.com/Gulfstream%20Plastics,Ltd.,LaTulip), printed May 22, 2007, 1 pages.

Website: [http://www.gulfstreamplastics.com/Gulfstream Plastics, Ltd., La Rose Spas](http://www.gulfstreamplastics.com/Gulfstream%20Plastics,Ltd.,LaRoseSpas), copyright 2006, printed May 22, 2007, 2 pages.

Website: [http://www.gulfstreamplastics.com/Gulfstream Plastics, Ltd., La Lili](http://www.gulfstreamplastics.com/Gulfstream%20Plastics,Ltd.,LaLili), copyright 2006, printed May 22, 2007, 2 pages.

Website: <http://web.archive.org/web/20030208030016/http://amerispa.com/main/html,amerispa.com/main.html>, AmeriSpa, LLC, Legend AMS-500D, archived Feb. 8, 2003, copyright 2002, printed Jun. 15, 2007, 5 pages.

Website: <http://www.amerispa.com/main/html>, AmeriSpa, LLC, SpaMate Legend AMS-500D, copyright 1996-2004, printed May 22, 2007, 13 pages.

Website: <http://web.archive.org/web/20040707064345/http://www.amerispa.com/main/html,amerispa.com/main/html>, AmeriSpa, LLC, SpaMate Legend AMS-400D, archived Jul. 7, 2004, copyright 1996-2004, printed Jun. 15, 2007, 1 page.

Website: <http://www.amerispa.com/main.html>, AmeriSpa, LLC, SpaMate Legend AMS-400D, copyright 1996-2004, printed May 22, 2007, 6 pages.

Website: <http://web.archive.org/web/20040610104846/http://amerispa.com/main.html,amerispa.com/main/html>, AmeriSpa, LLC, SpaMate AMS-300D Platinum Series, archived Jun. 10, 2004, copyright 2002, printed Jun. 15, 2007, 1 page.

Website: <http://www.kmxproducts.com>, KMX Ltd., The Allay S-650, copyright 2007, printed May 22, 2007, 1 page.

Website: <http://www.kmxproducts.com>, KMX Ltd., The Allay S-550, copyright 2007, printed May 22, 2007, 1 page.

Website: <http://www.kmxproducts.com>, KMX Ltd., The Allay S-320, copyright 2007, printed May 22, 2007, 1 page.

Website: <http://www.kmxproducts.com>, KMX Ltd., The Hummer S-650, copyright 2007, printed May 22, 2007, 1 page.

Website: <http://www.kmxproducts.com>, KMX Ltd., The Hummer S-550, copyright 2007, printed May 22, 2007, 1 page.

Website: <http://www.kmxproducts.com>, KMX Ltd., The Hummer S-320, copyright 2007, printed May 22, 2007, 1 page.

Website: <http://www.kmxproducts.com>, KMX Ltd., Granite S-620, copyright 2007, printed May 22, 2007, 1 page.

Website: <http://www.kmxproducts.com>, KMX Ltd., Granite S-550, copyright 2007, printed May 22, 2007, 1 page.

Website: <http://www.kmxproducts.com>, KMX Ltd., Granite S-320, copyright 2007, printed May 22, 2007, 1 page.

Website: <http://www.kmxproducts.com>, KMX Ltd., The Five Stars S-650, copyright 2007, printed May 22, 2007, 1 page.

Website: <http://www.kmxproducts.com>, KMX Ltd., The Five Stars S-550, copyright 2007, printed May 22, 2007, 1 page.

Website: <http://www.kmxproducts.com>, KMX Ltd., The Five Stars S-320, copyright 2007, printed May 22, 2007, 1 page.

Website: <http://www.jausainc.com/>, J&A USA, Inc., Petra 700, copyright 2006, printed May 22, 2007, 2 pages.

Website: <http://www.jausainc.com/>, J&A USA, Inc., Petra 500, copyright 2006, printed May 22, 2007, 2 pages.

Website: <http://www.jausainc.com/>, J&A USA, Inc., Petra 450S, copyright 2006, printed May 22, 2007, 2 pages.

Website: <http://www.jausainc.com/>, J&A USA, Inc., Petra 800S, copyright 2006, printed May 22, 2007, 2 pages.

Website: <http://web.archive.org/web/20040318221320/http://www.jausainc.com, www.jausainc.com/>, J&A USA, Inc., Episode, archived Mar. 18, 2004, copyright 2003, printed Jun. 15, 2007, 1 page.

Website: <http://www.jausainc.com/>, J&A USA, Inc., Episode, copyright 2006, printed May 22, 2007, 2 pages.

Website: <http://www.jausainc.com/>, J&A USA, Inc., Episode GS, copyright 2006, printed May 22, 2007, 2 pages.

Website: <http://www.jausainc.com/>, J&A USA, Inc., Toepia FM, copyright 2006, printed May 22, 2007, 2 pages.

Website: <http://web.archive.org/web/20040318221320/http://www.jausainc.com, www.jausainc.com/>, J&A USA, Inc., Toepia, archived Mar. 18, 2004, copyright 2003, printed Jun. 15, 2007, 1 page.

Website: <http://web.archive.org/web/20040318221320/http://www.jausainc.com, www.jausainc.com/>, J&A USA, Inc., Pacific Spa (PS) 300, copyright 2006, printed May 22, 2007, 2 pages.

Website: <http://www.jausainc.com/>, J&A USA, Inc., Pacific 300, copyright 2006, printed May 22, 2007, 2 pages.

Website: <http://www.jausainc.com/>, J&A USA, Inc., Pacific 350, copyright 2006, printed May 22, 2007, 2 pages.

Website: <http://web.archive.org/web/20040318221320/http://www.jausainc.com, www.jausainc.com/>, J&A USA, Inc., Pacific Spa (PS) 400, archived Mar. 18, 2004, copyright 2003, printed Jun. 15, 2007, 1 page.

Website: <http://web.archive.org/web/20040318221320/http://www.jausainc.com, www.jausainc.com/>, J&A USA, Inc., Pacific Spa (PS) 650, archived Mar. 18, 2004, copyright 2003, printed Jun. 15, 2007, 1 page.

Website: <http://www.jausainc.com/>, J&A USA, Inc., Pacific 750S, copyright 2006, printed May 22, 2007, 2 pages.

Website: <http://www.t4spa.com/>, T4 Spa Concepts & Designs, LLC, t4 Pedicure Spa Use & Care Manual, copyright 2007, revised Jan. 23, 2007, printed Jun. 7, 2007, 24 pages.

Website: <http://www.t4spa.com/everest1.html>, T4 Spa Concepts & Designs, LLC, Everest I, Undated, printed Jun. 15, 2007, 1 page.

Website: <http://www.t4spa.com/everest2.html>, T4 Spa Concepts & Designs, LLC, Everest II, Undated, printed Jun. 15, 2007, 1 page.

Website: <http://t4spa.com/katai1.html>, T4 Spa Concepts & Designs, LLC, Katai, Undated, printed Jun. 15, 2007, 1 page.

Website: <http://www.t4spa.com/jaguar1.html>, T4 Spa concepts & Designs, LLC, Jaguar, Undated, printed Jun. 15, 2007, 1 page.

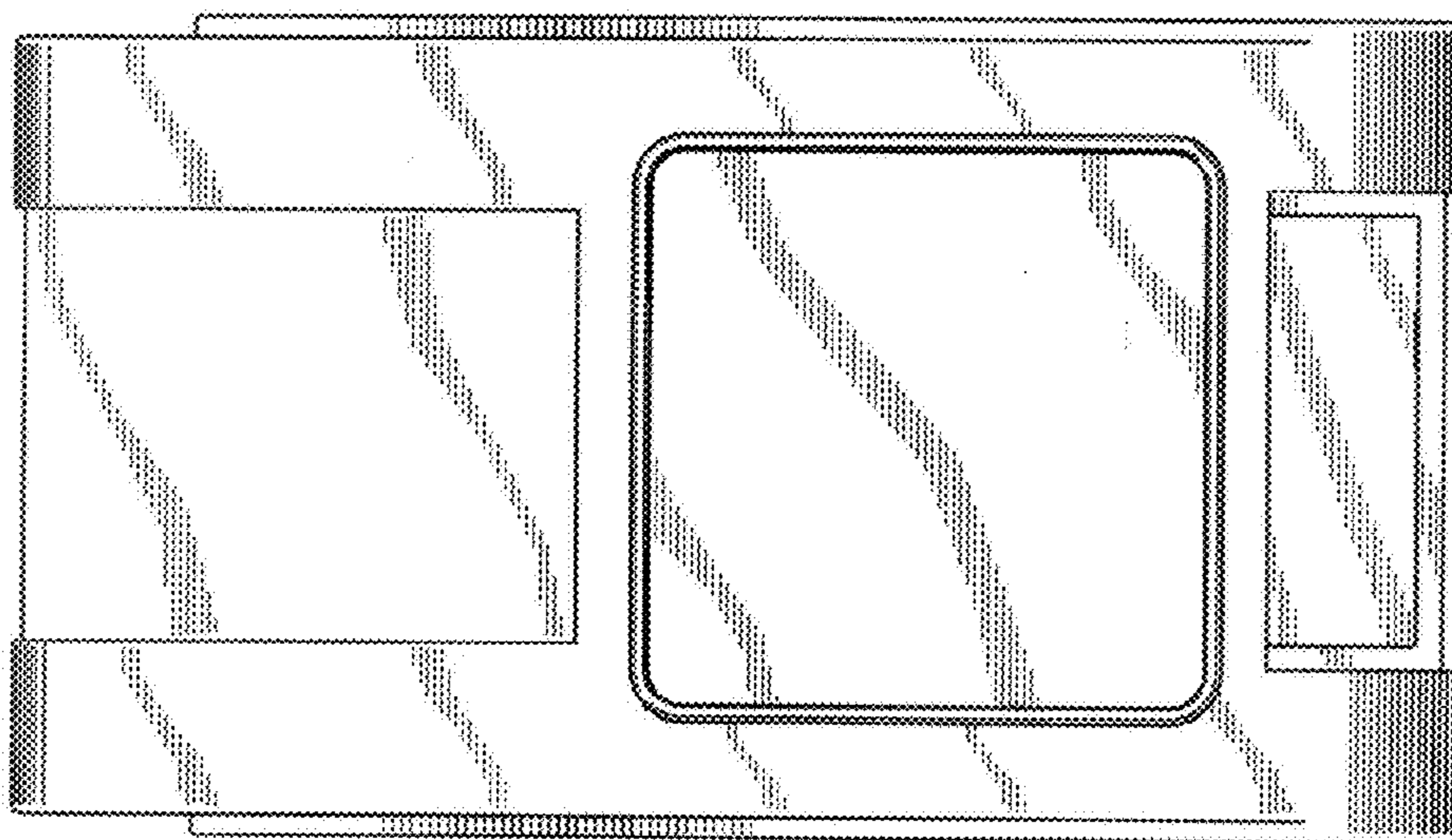
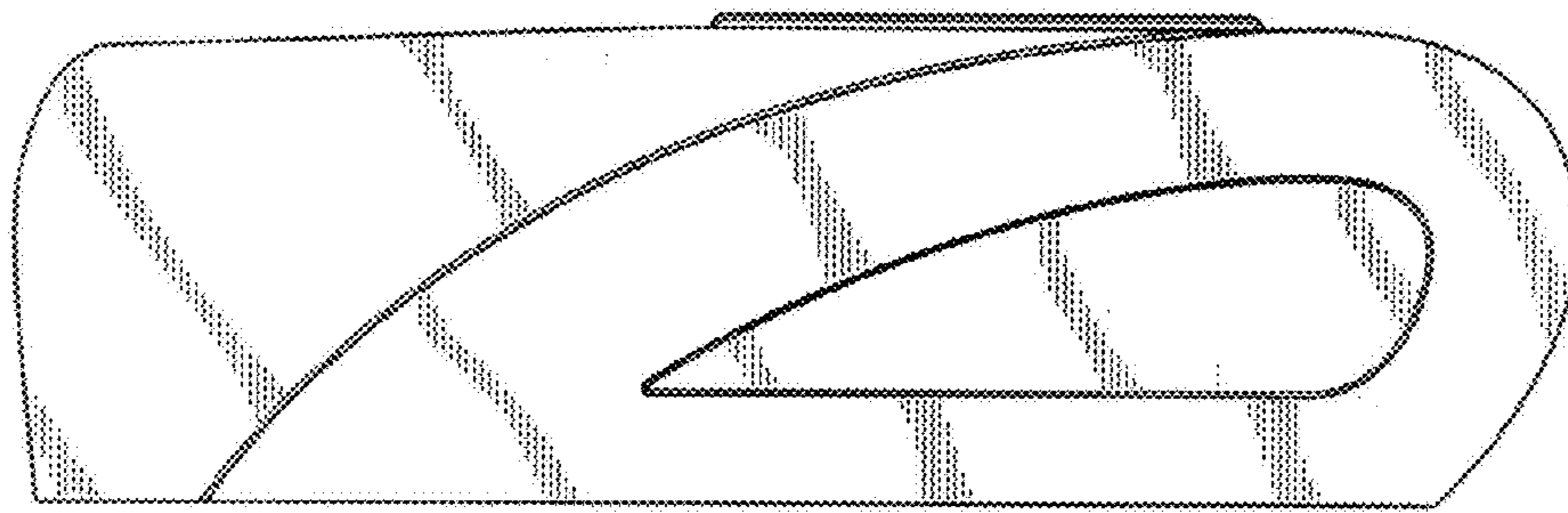
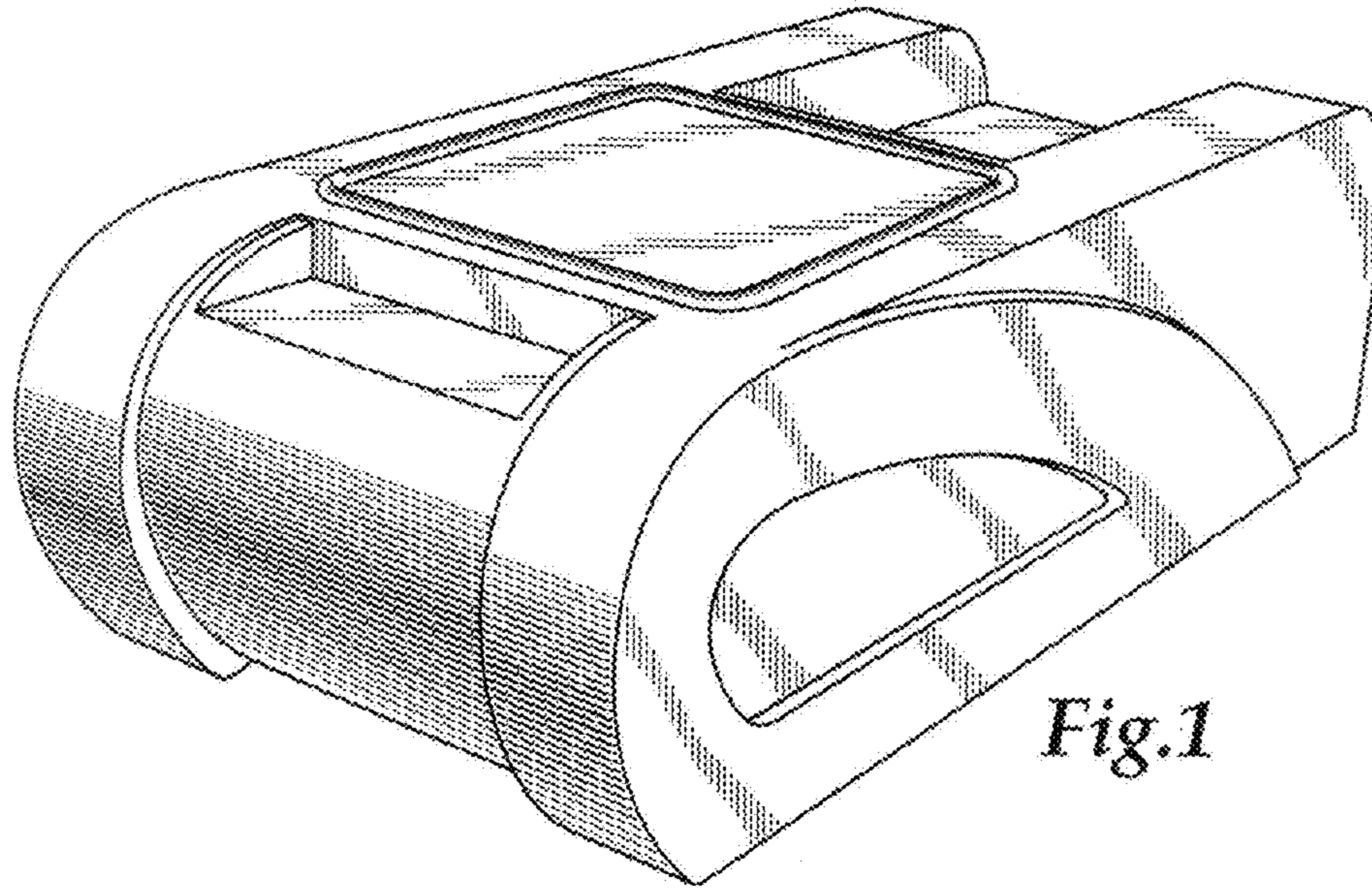
Website: <http://www.t4spa.com/milan1.html>, T4 Spa Concepts & Designs, LLC, Milan, Undated, printed Jun. 15, 2007, 1 page.

Website: <http://www.t4spa.com/ella1.html>, T4 Spa Concepts & Designs, LLC, Ella, Undated, printed Jun. 15, 2007, 1 page.

Website: <http://www.t4spa.com/avanti1.html>, T4 Spa Concepts & Designs, LLC, Avanti, Undated, printed Jun. 15, 2007, 1 page.

Website: <http://www.t4spa.com/bellini1.html>, T4 Spa Concepts & Designs, LLC, Bellini, Undated, printed Jun. 15, 2007, 1 page.

* cited by examiner



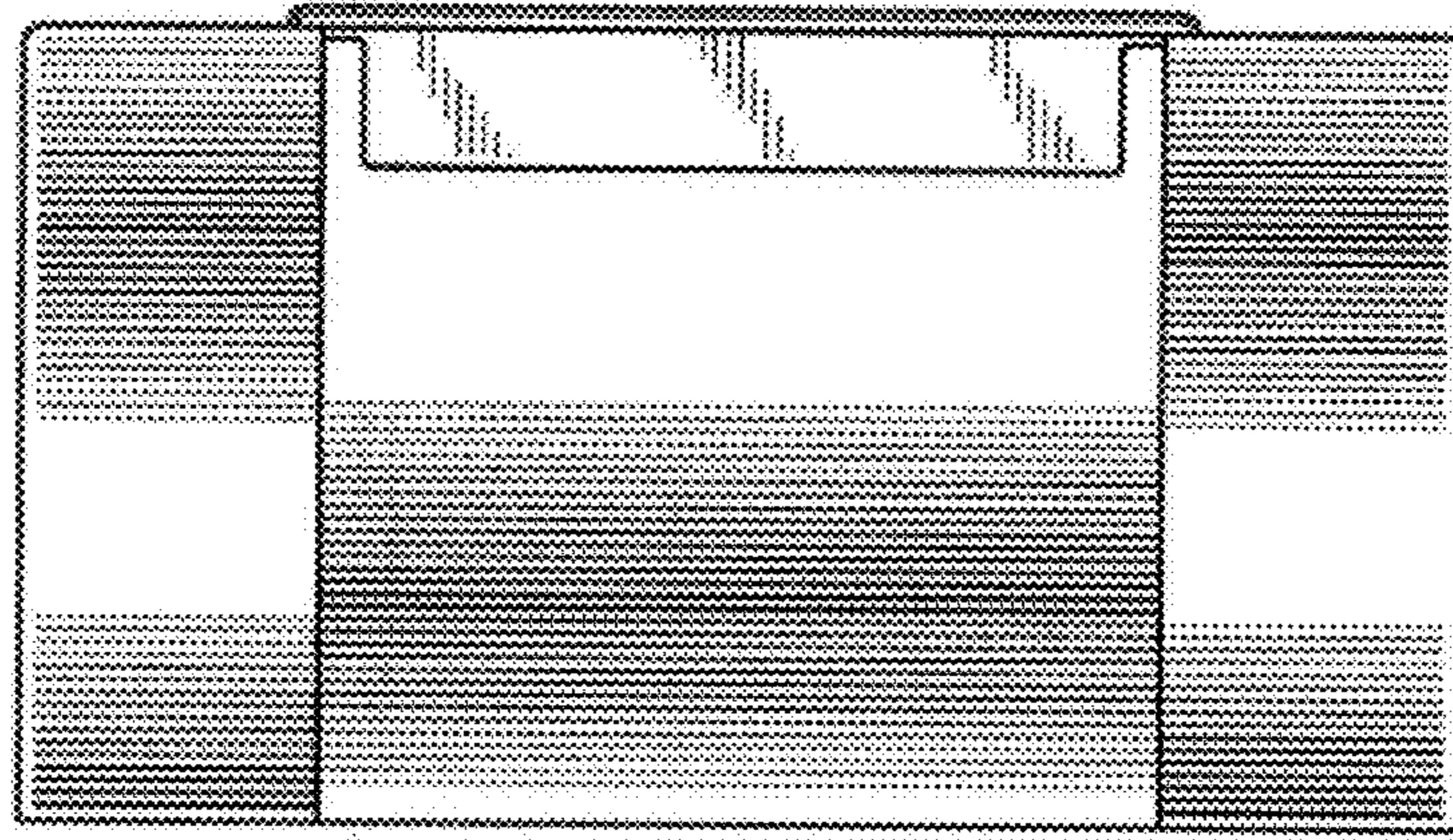


Fig. 4

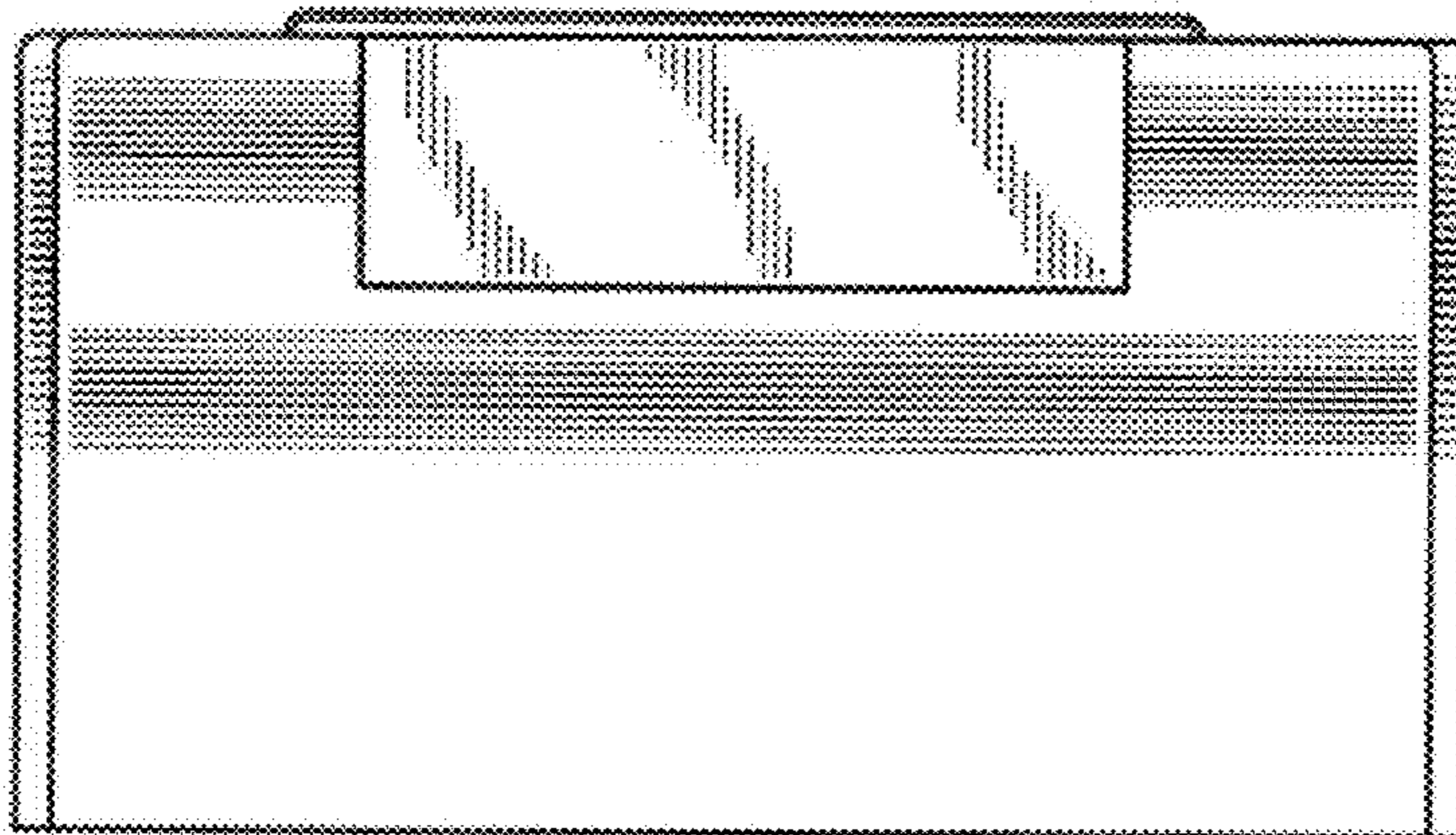


Fig. 5