



(12) **United States Design Patent**
Garland et al.

(10) **Patent No.:** **US D560,308 S**
(45) **Date of Patent:** **** Jan. 22, 2008**

(54) **TRIMMER**

(75) Inventors: **Tylor Garland**, Studio City, CA (US);
Patrick Burgess, Jalisco (MX); **Aldis Rauda**, West Hollywood, CA (US);
Stan Chudzik, Alpharetta, GA (US)

(73) Assignee: **Goody Products, Inc.**, Freeport, IL (US)

(**) Term: **14 Years**

(21) Appl. No.: **29/275,611**

(22) Filed: **Dec. 30, 2006**

(51) **LOC (8) Cl.** **28-03**

(52) **U.S. Cl.** **D28/53**

(58) **Field of Classification Search** 30/201,
30/34, 34.5, 34.1, 34.2, 41-41.6, 43-43.92,
30/44-45, 29.5, 526-533; D28/44, 44.1,
D28/49-54

See application file for complete search history.

(56) **References Cited**

U.S. PATENT DOCUMENTS

D283,060 S *	3/1986	Camens	D28/51
D306,499 S *	3/1990	Lee	D28/50
D517,730 S *	3/2006	Bauwens	D28/53

* cited by examiner

Primary Examiner—Jennifer Rivard

(74) *Attorney, Agent, or Firm*—Marshall, Gerstein & Borun LLP

(57) **CLAIM**

The ornamental design for a “Trimmer,” as shown and described.

DESCRIPTION

FIG. 1 is a perspective view from the front and left of a first embodiment of a trimmer having our new design with the protective caps removed;

FIG. 2 is a front view thereof;

FIG. 3 is a rear view thereof;

FIG. 4 is a left side elevational view thereof;

FIG. 5 is a right side elevational view thereof;

FIG. 6 is a top view thereof;

FIG. 7 is a bottom view thereof;

FIG. 8 is a perspective view from the front and left of the trimmer of FIG. 1 with the protective caps attached at the ends of the trimmer;

FIG. 9 is a front view thereof;

FIG. 10 is a rear view thereof;

FIG. 11 is a left side elevational view thereof;

FIG. 12 is a right side elevational view thereof;

FIG. 13 is a top view thereof;

FIG. 14 is a bottom view thereof;

FIG. 15 is a perspective view from the front and left of a second embodiment of a trimmer having our new design with the protective caps removed;

FIG. 16 is a front view thereof;

FIG. 17 is a rear view thereof;

FIG. 18 is a left side elevational view thereof;

FIG. 19 is a right side elevational view thereof;

FIG. 20 is a top view thereof;

FIG. 21 is a bottom view thereof;

FIG. 22 is a perspective view from the front and left of the trimmer of FIG. 15 with the protective caps attached at the ends of the trimmer;

FIG. 23 is a front view thereof;

FIG. 24 is a rear view thereof;

FIG. 25 is a left side elevational view thereof;

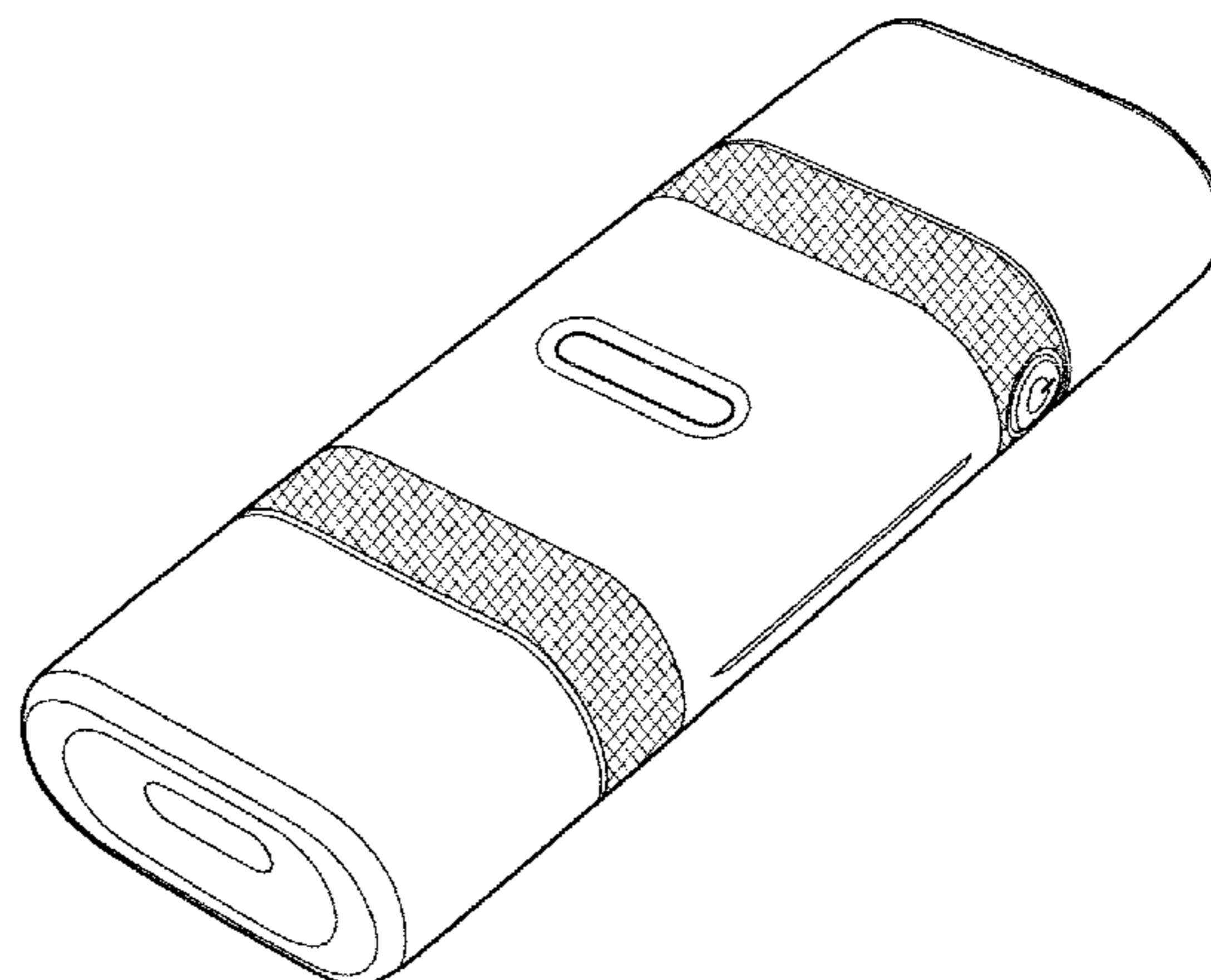
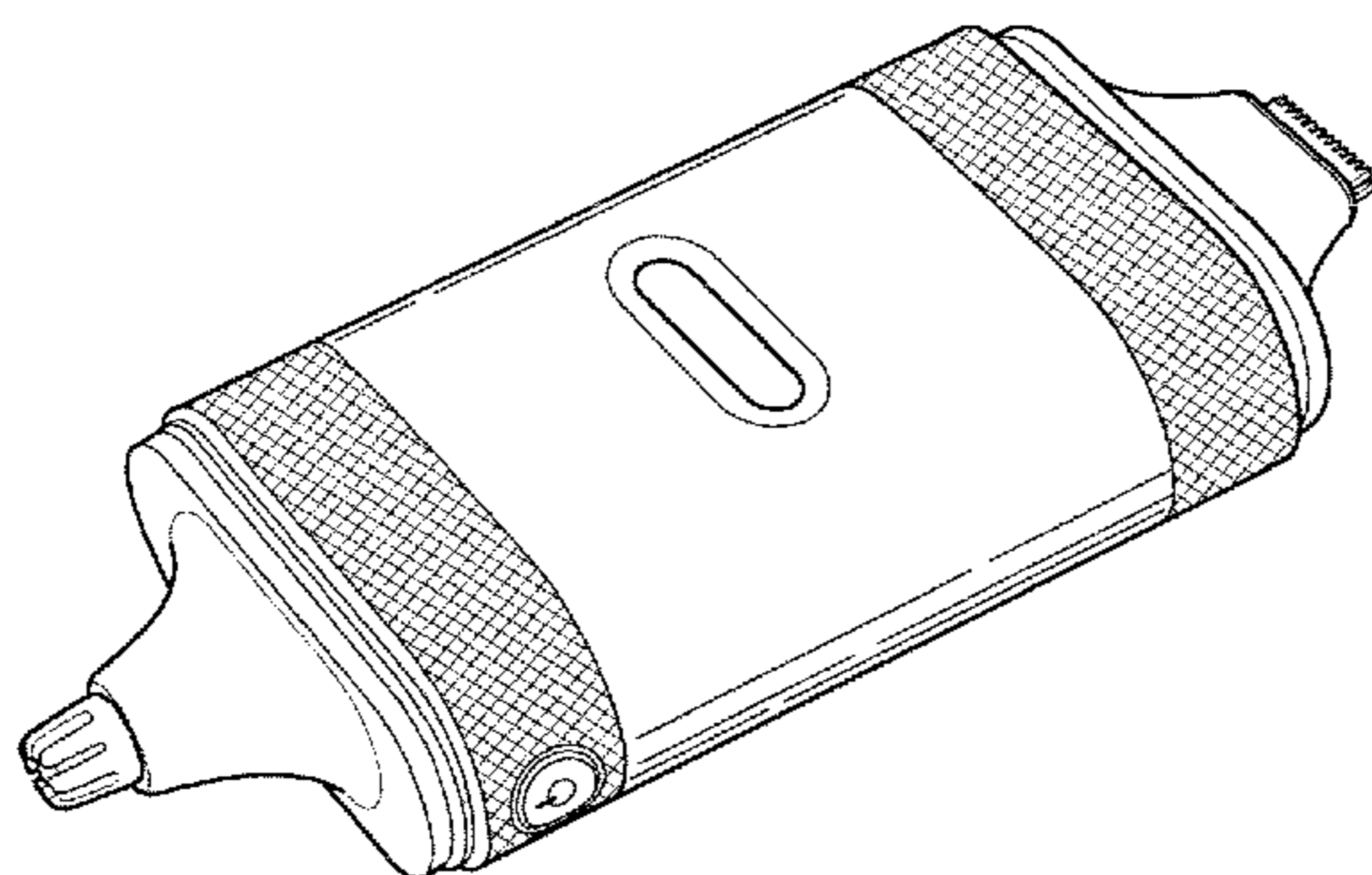
FIG. 26 is a right side elevational view thereof;

FIG. 27 is a top view thereof; and,

FIG. 28 is a bottom view thereof.

In FIGS. 1-7 and 15-21, the caps have been removed from the trimmers for convenience of illustration.

1 Claim, 8 Drawing Sheets



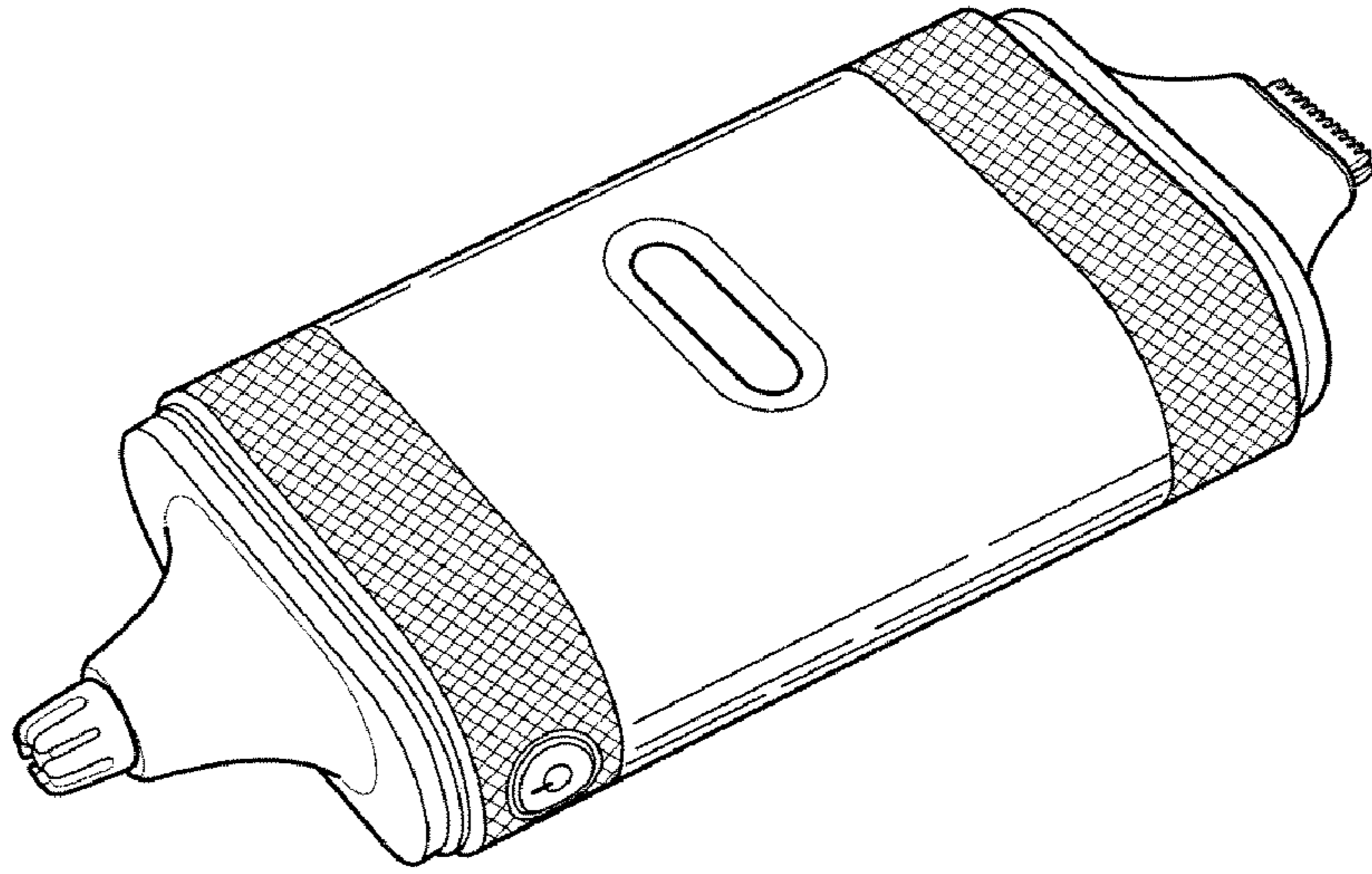


FIG. 1

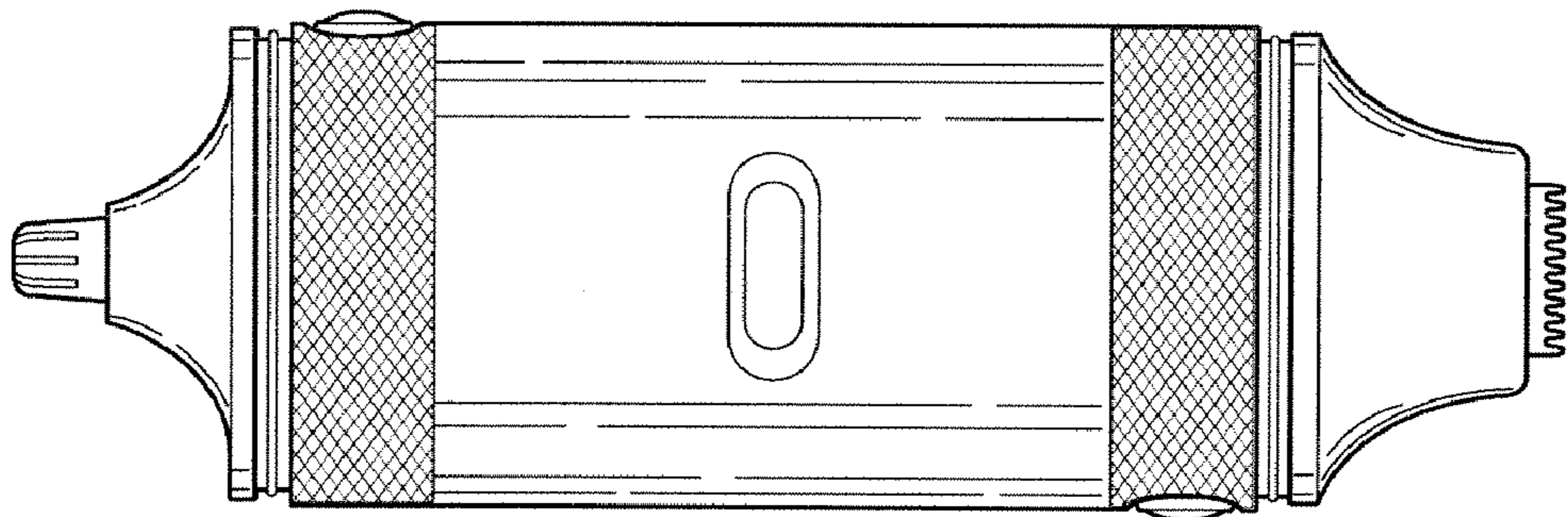


FIG. 2

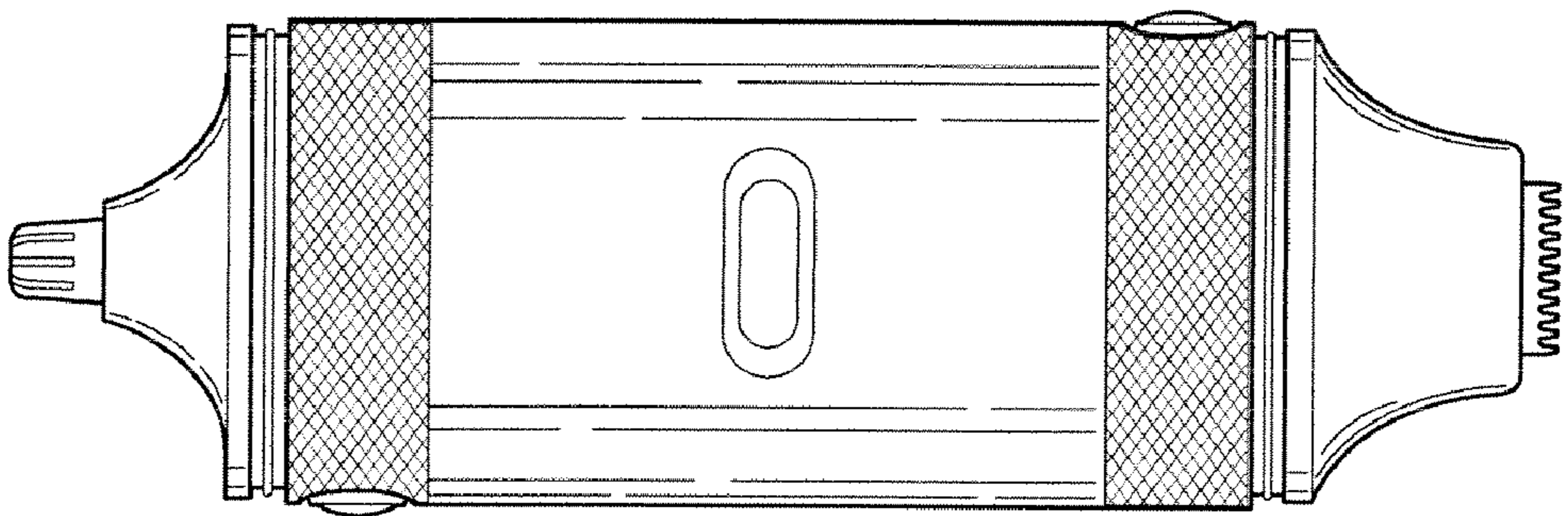


FIG. 3

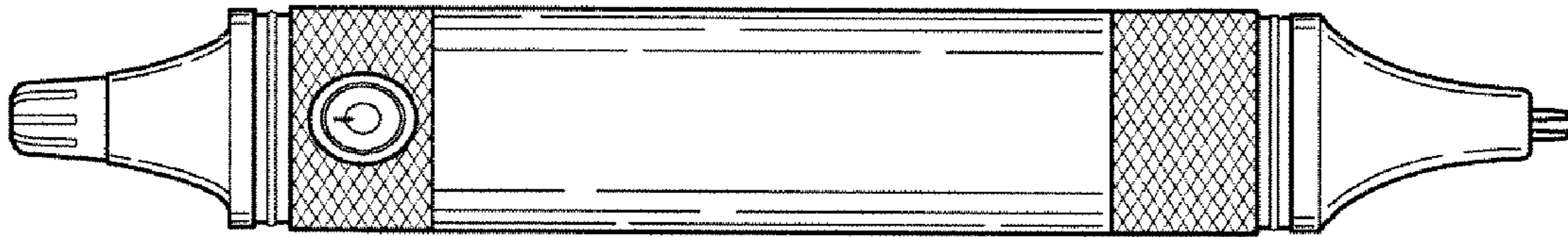


FIG. 4

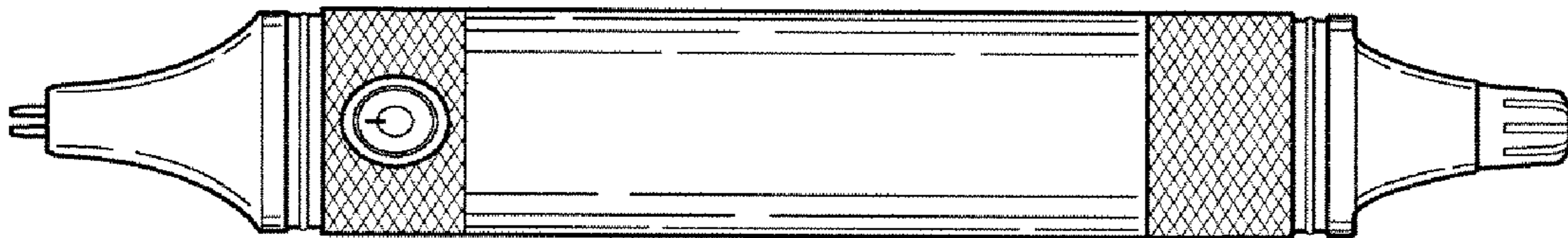


FIG. 5

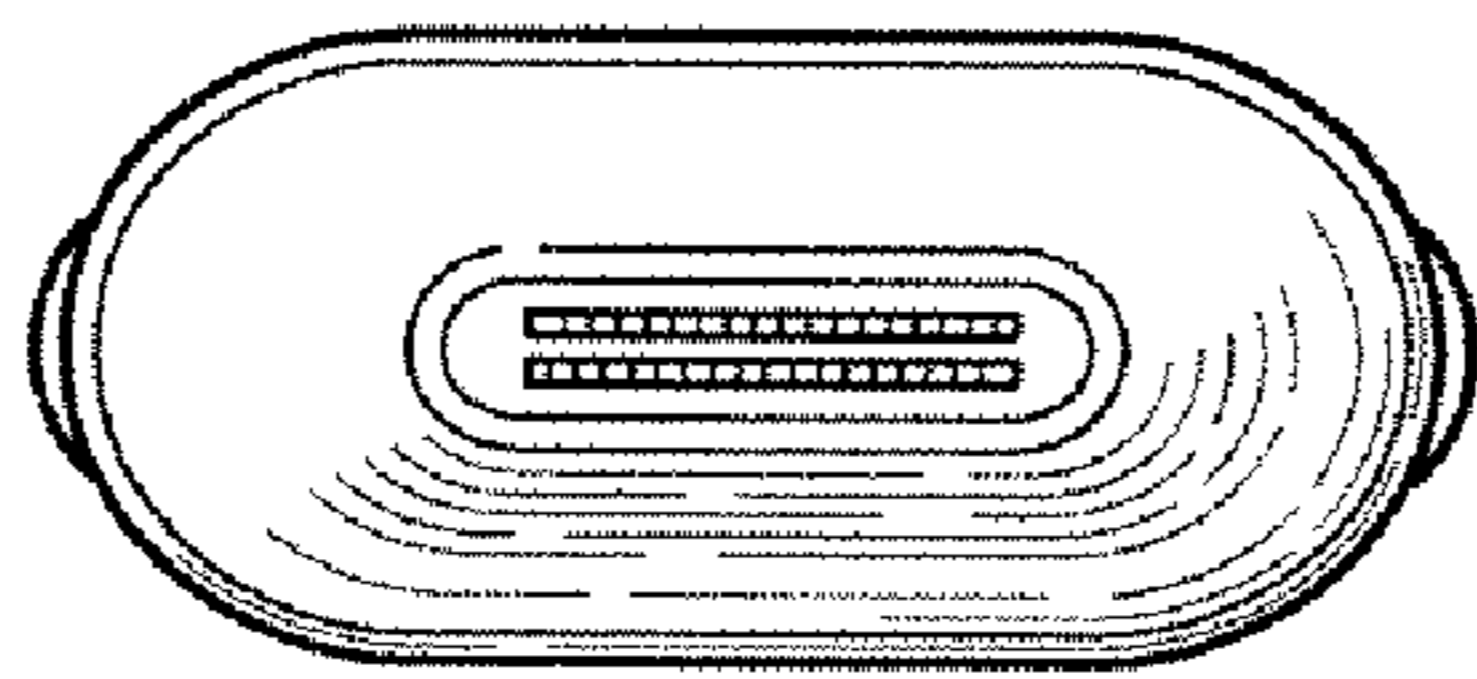


FIG. 6

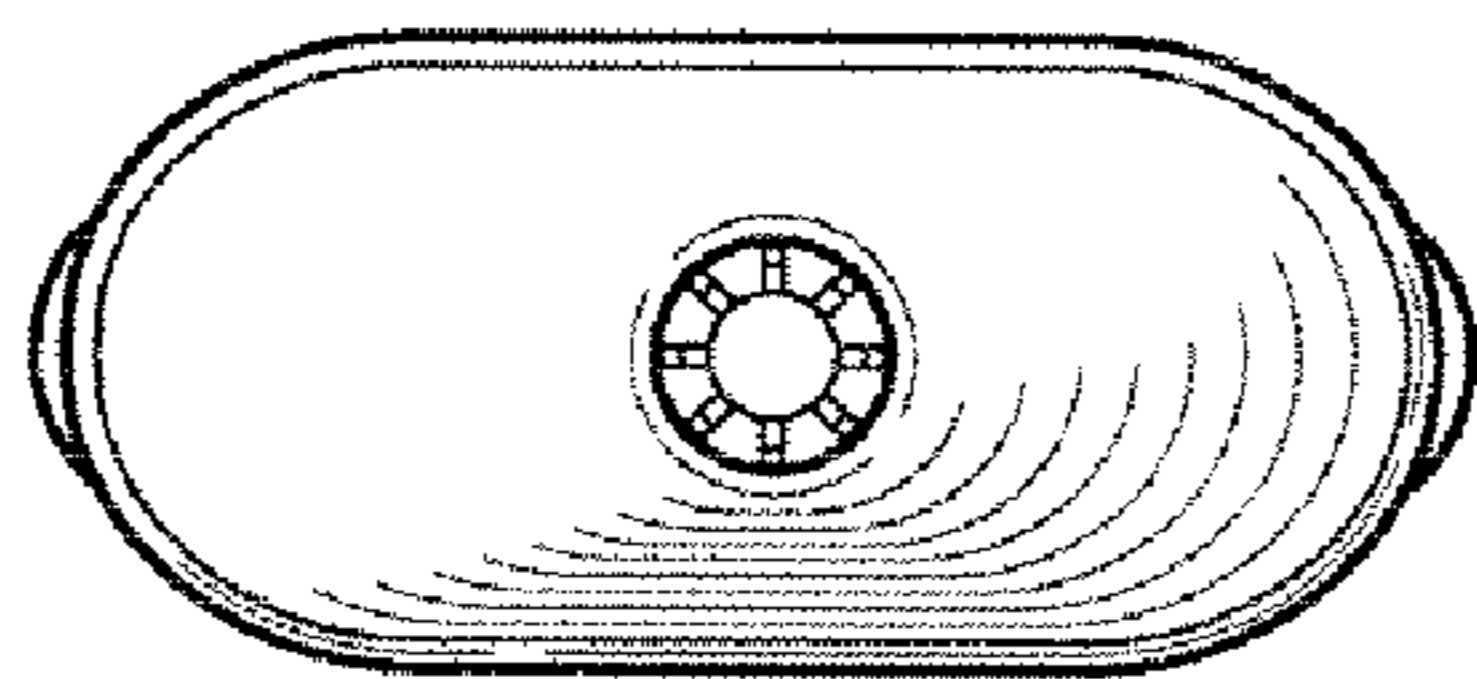


FIG. 7

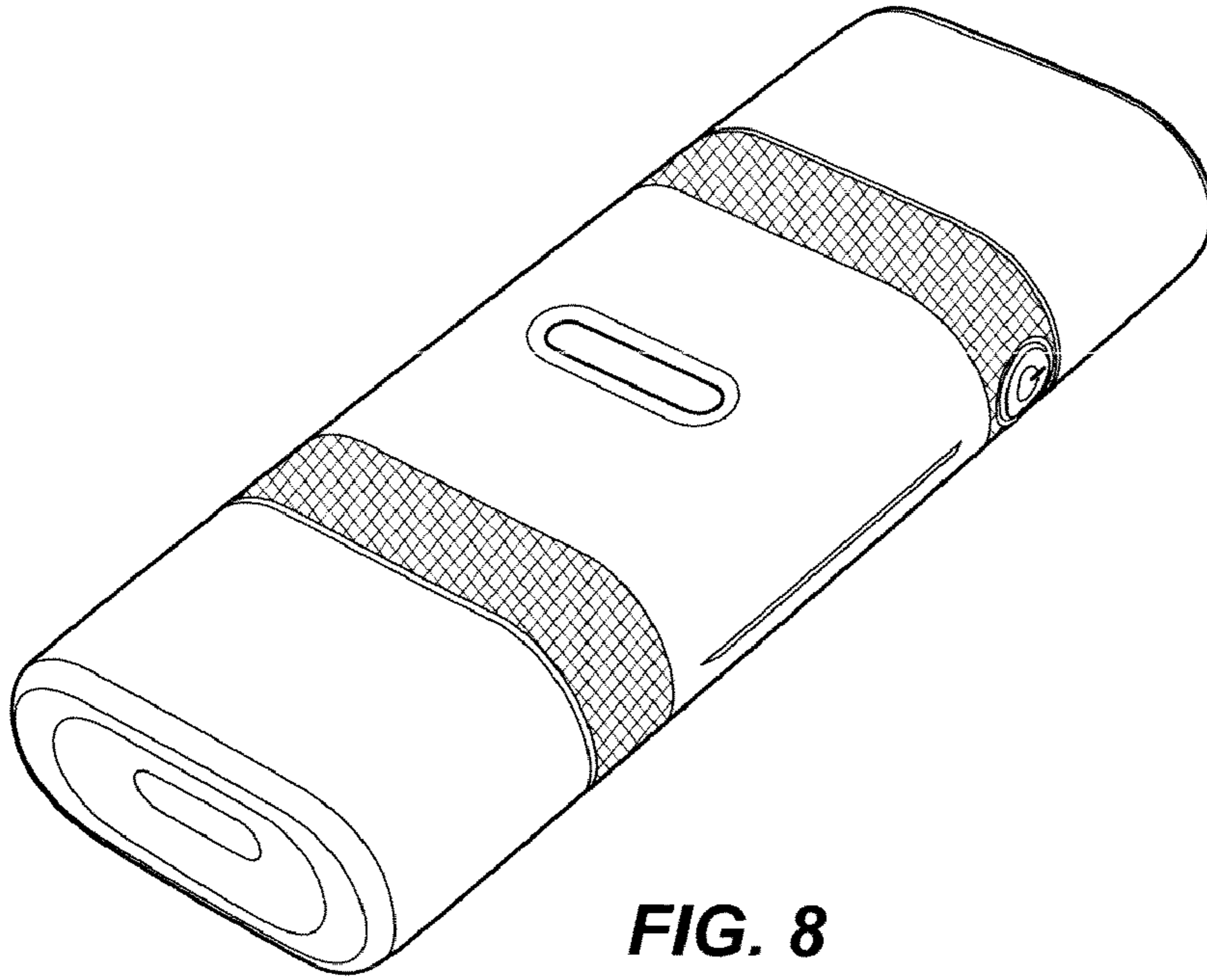


FIG. 8

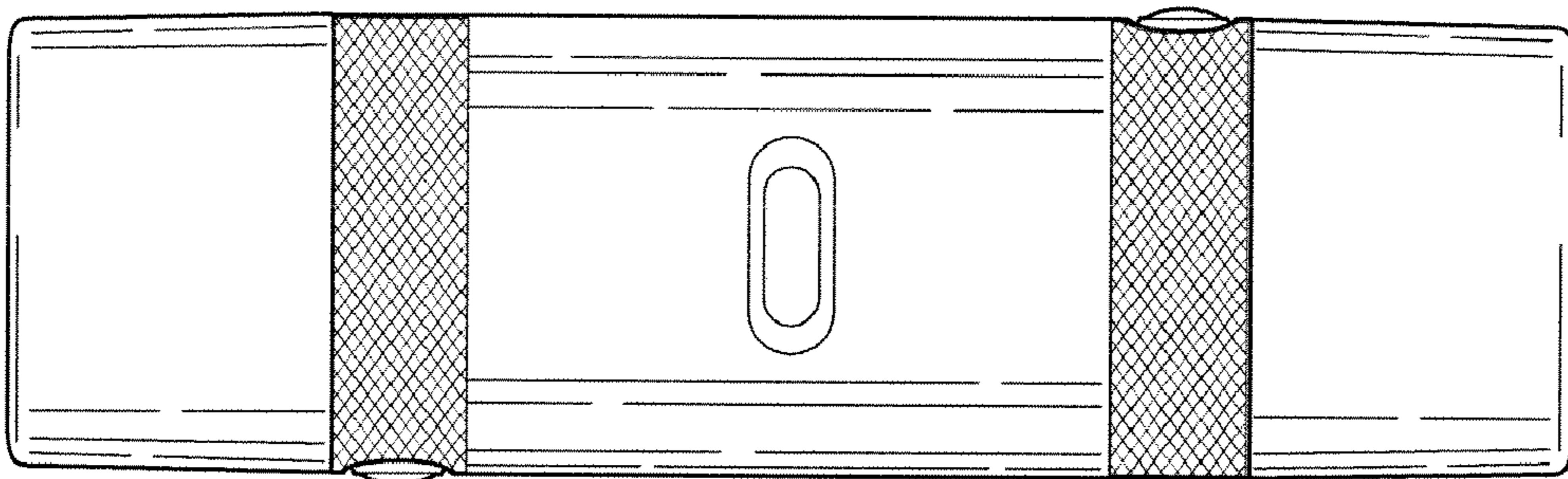


FIG. 9

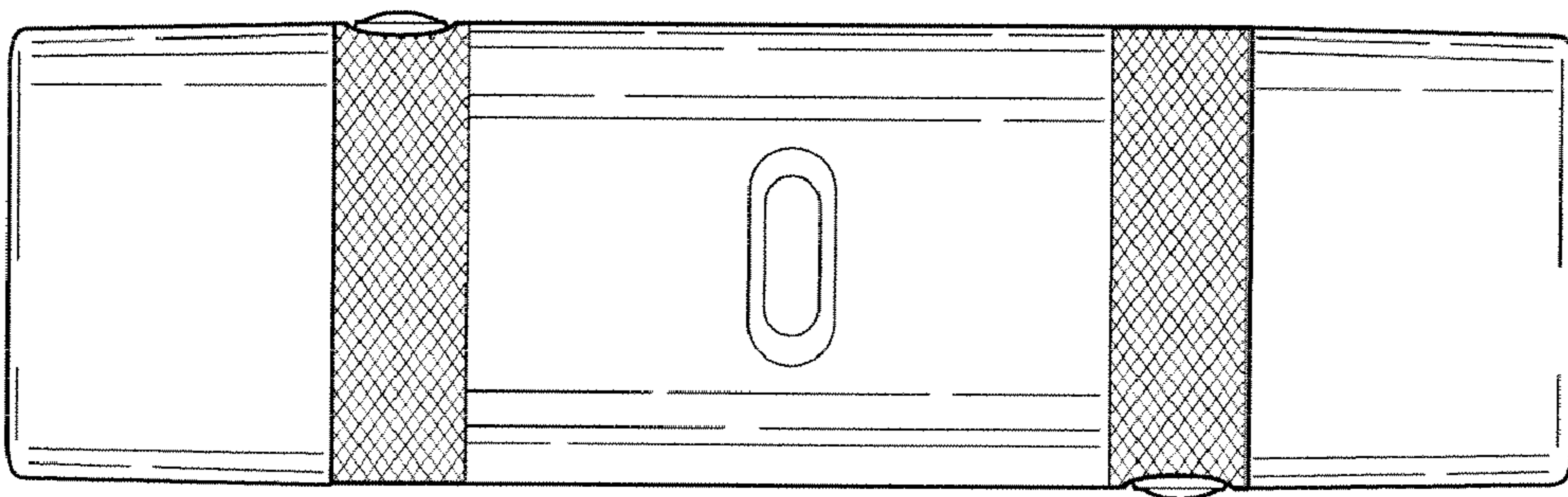


FIG. 10

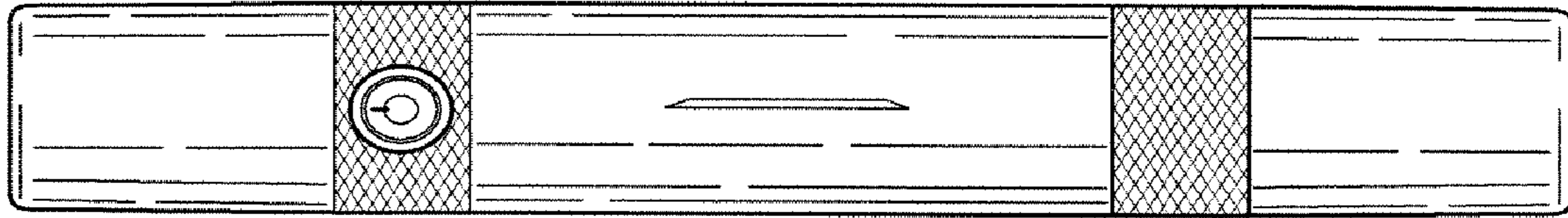


FIG. 11

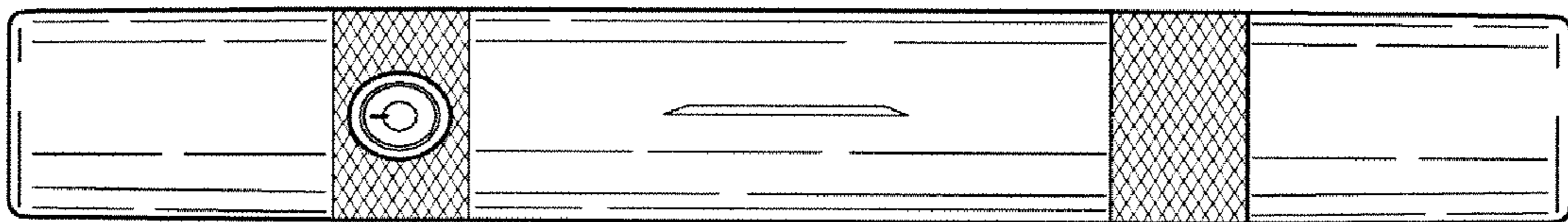


FIG. 12

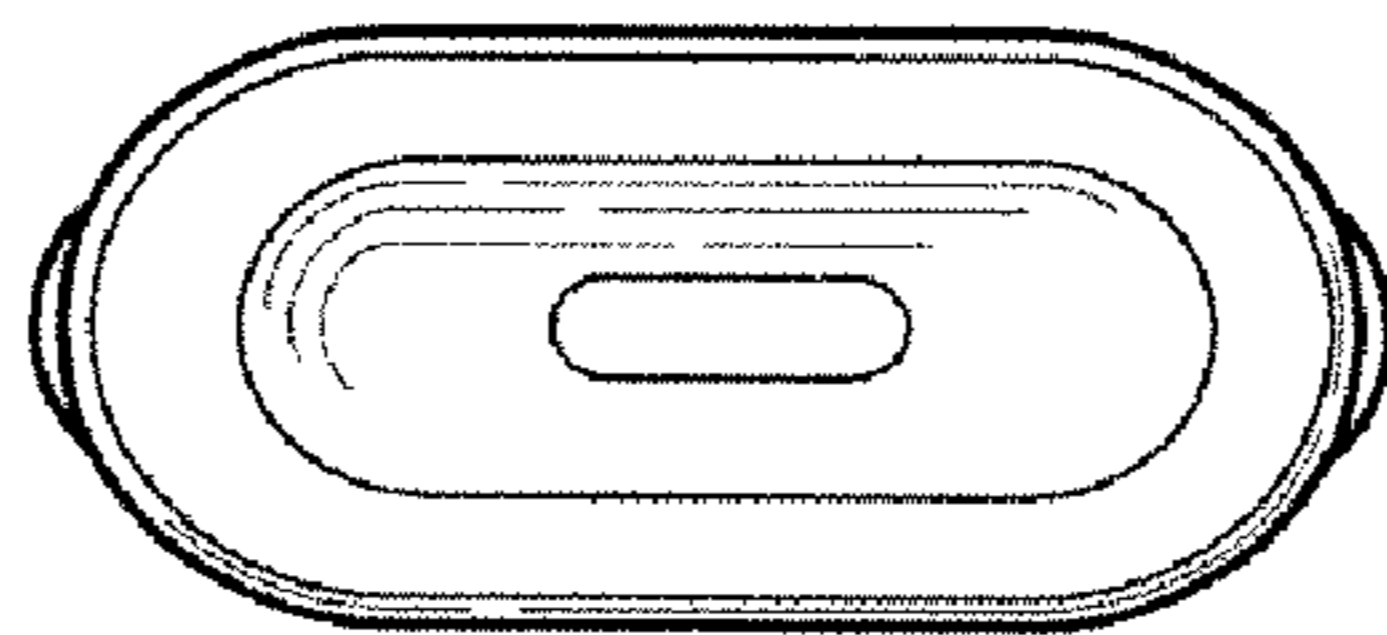


FIG. 13

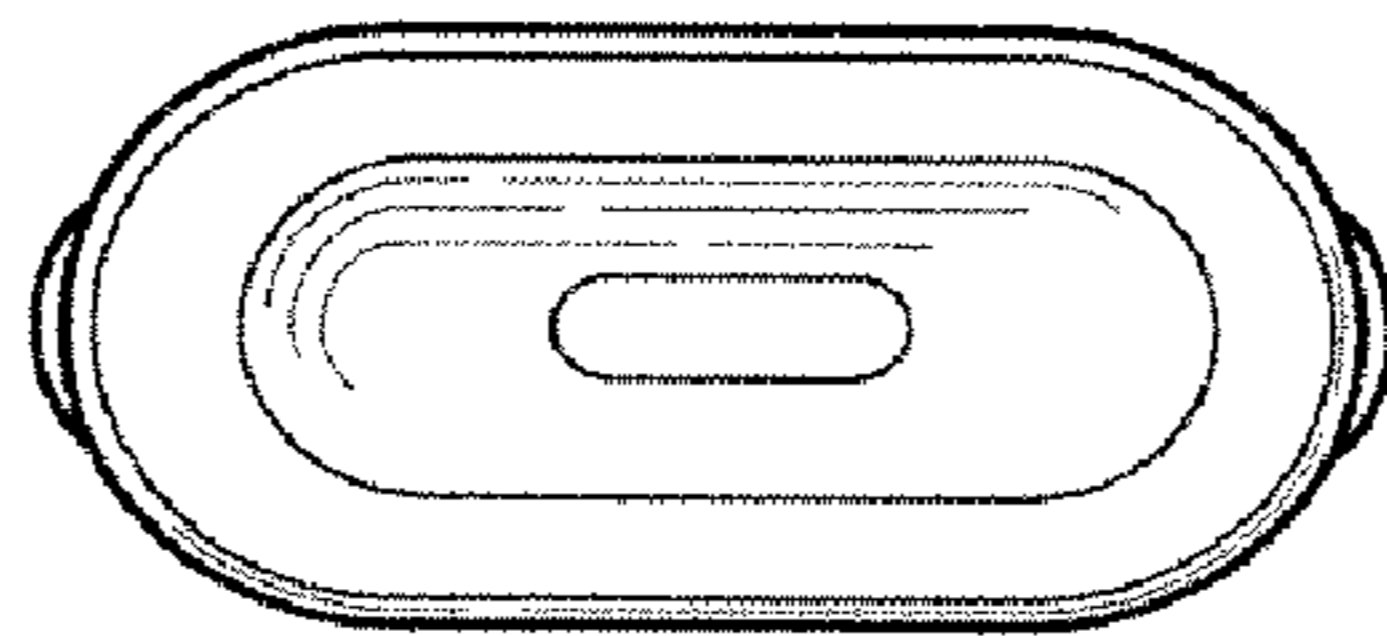


FIG. 14

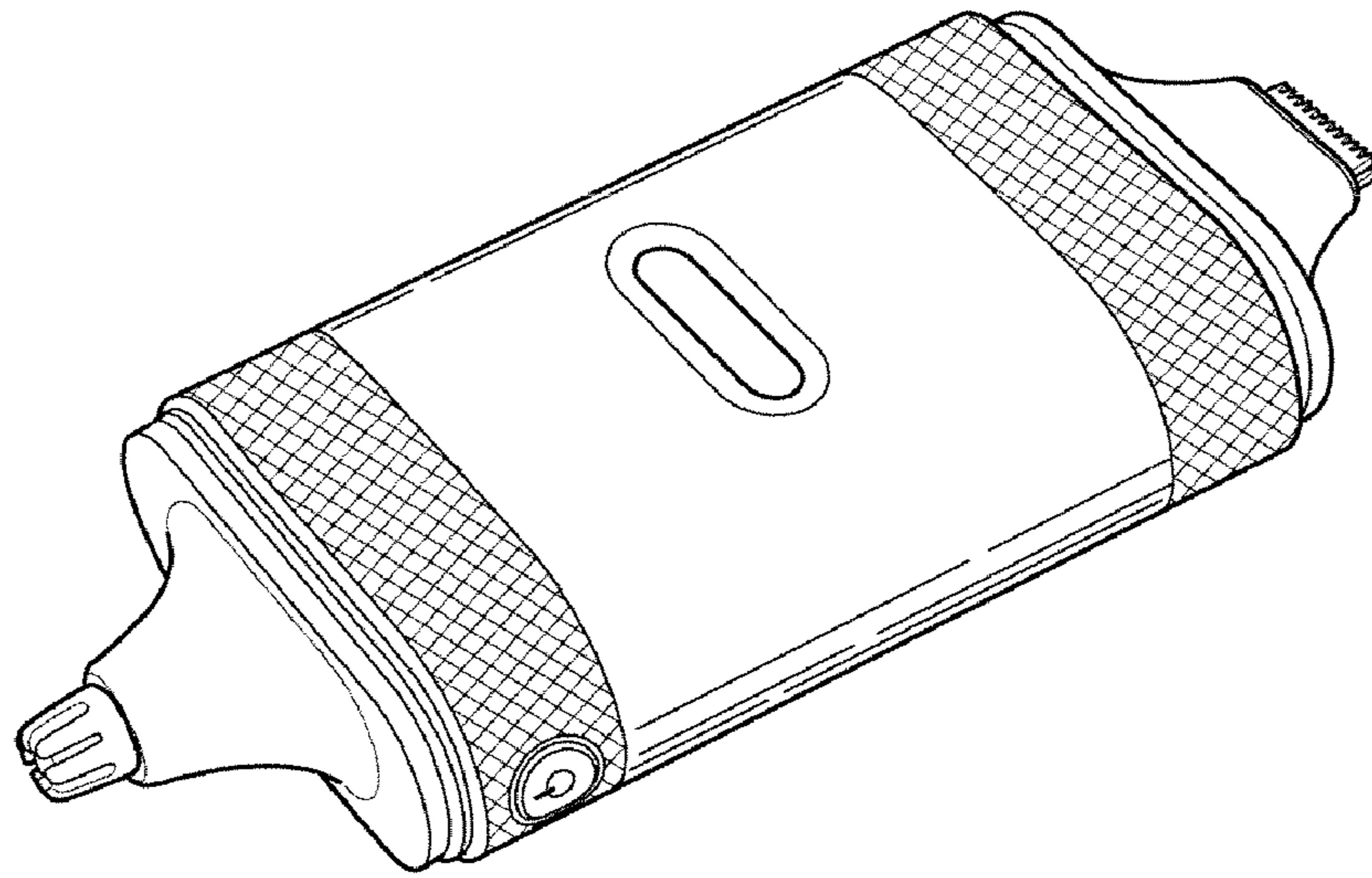


FIG. 15

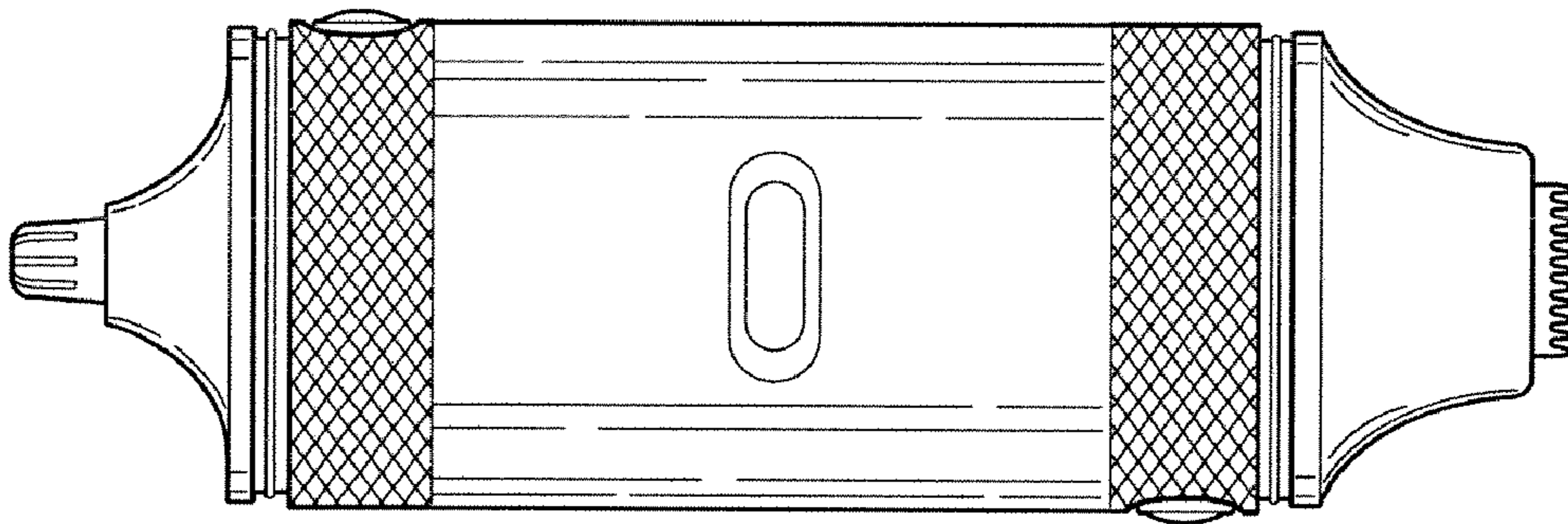


FIG. 16

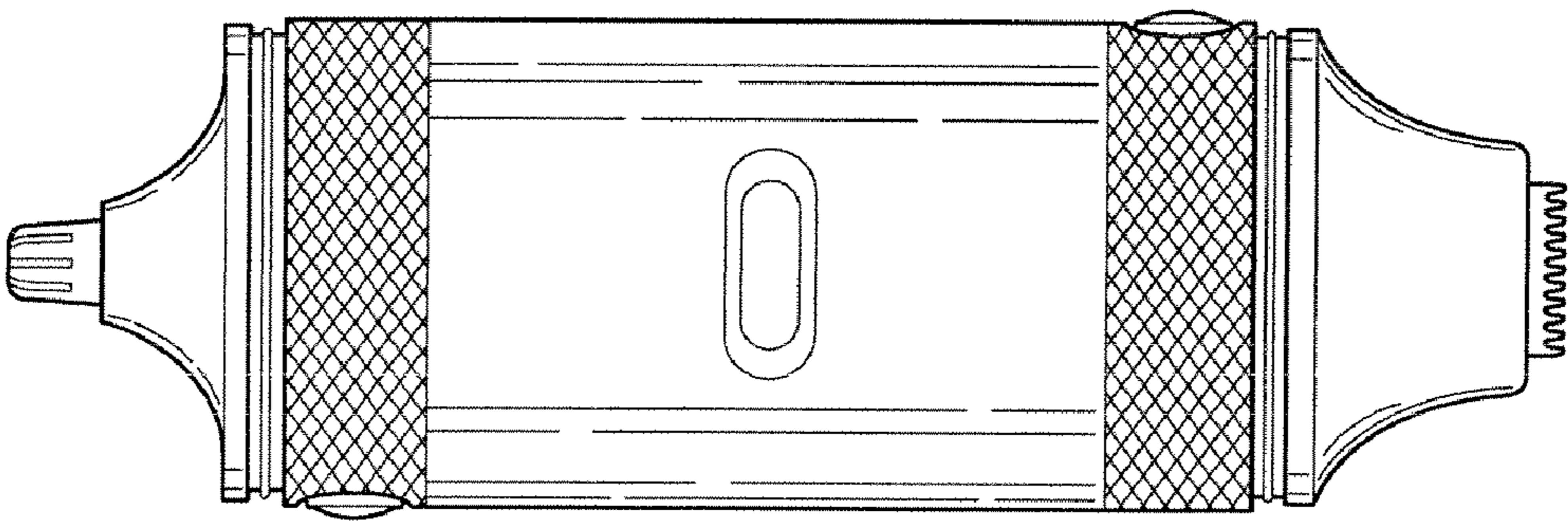


FIG. 17

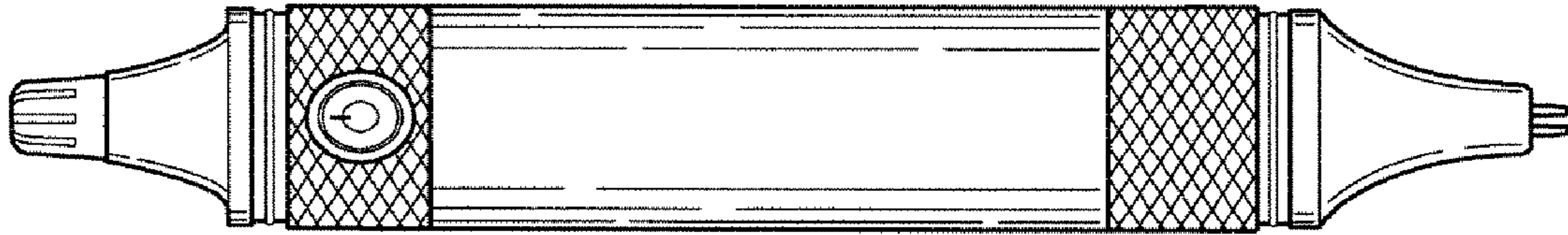


FIG. 18

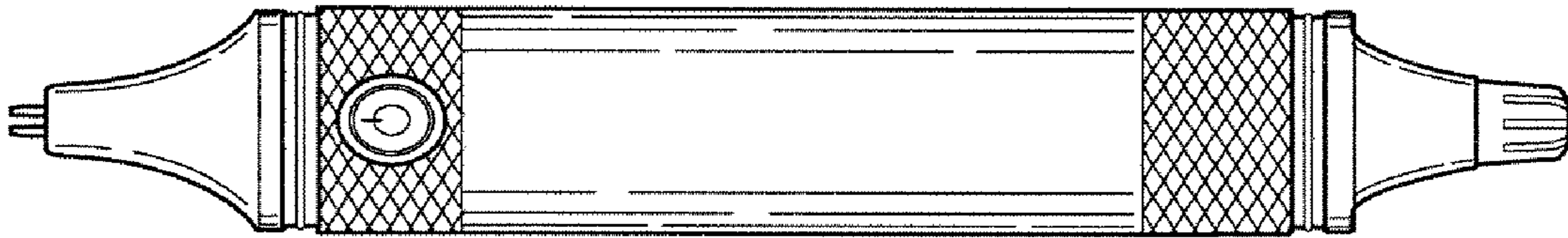


FIG. 19

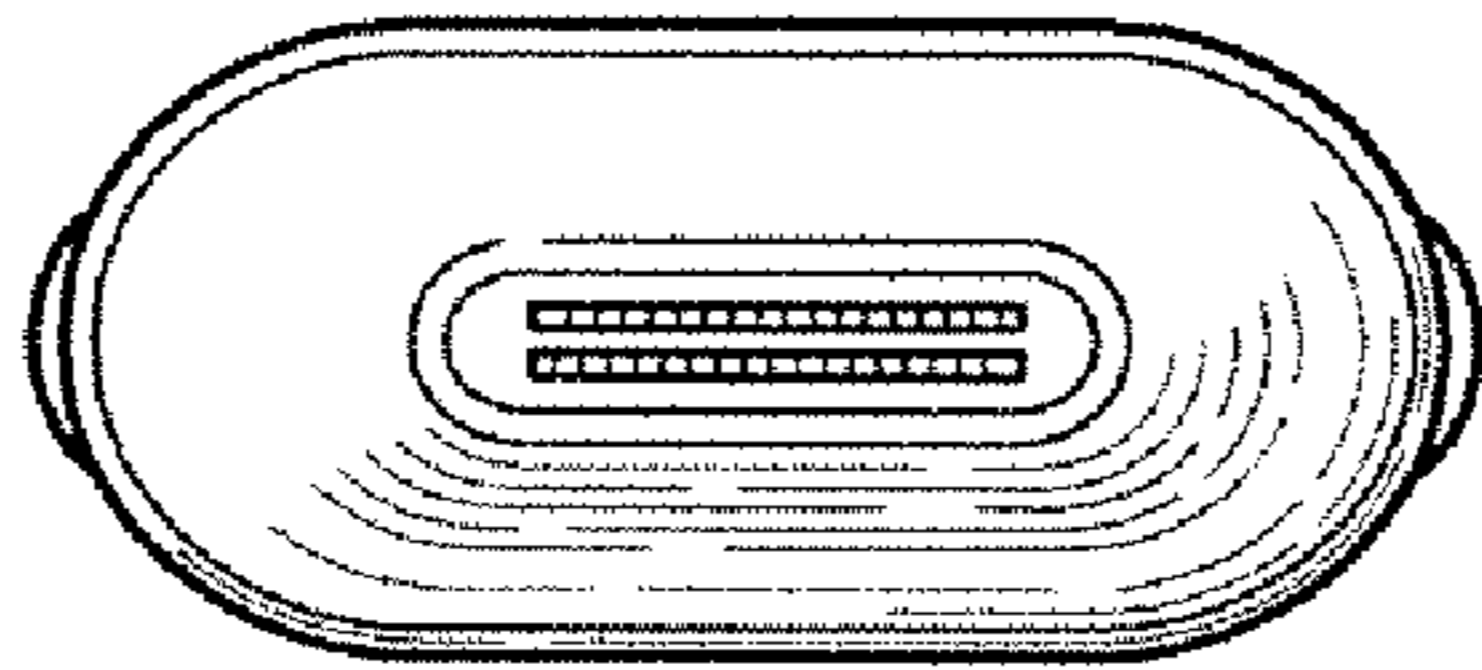


FIG. 20

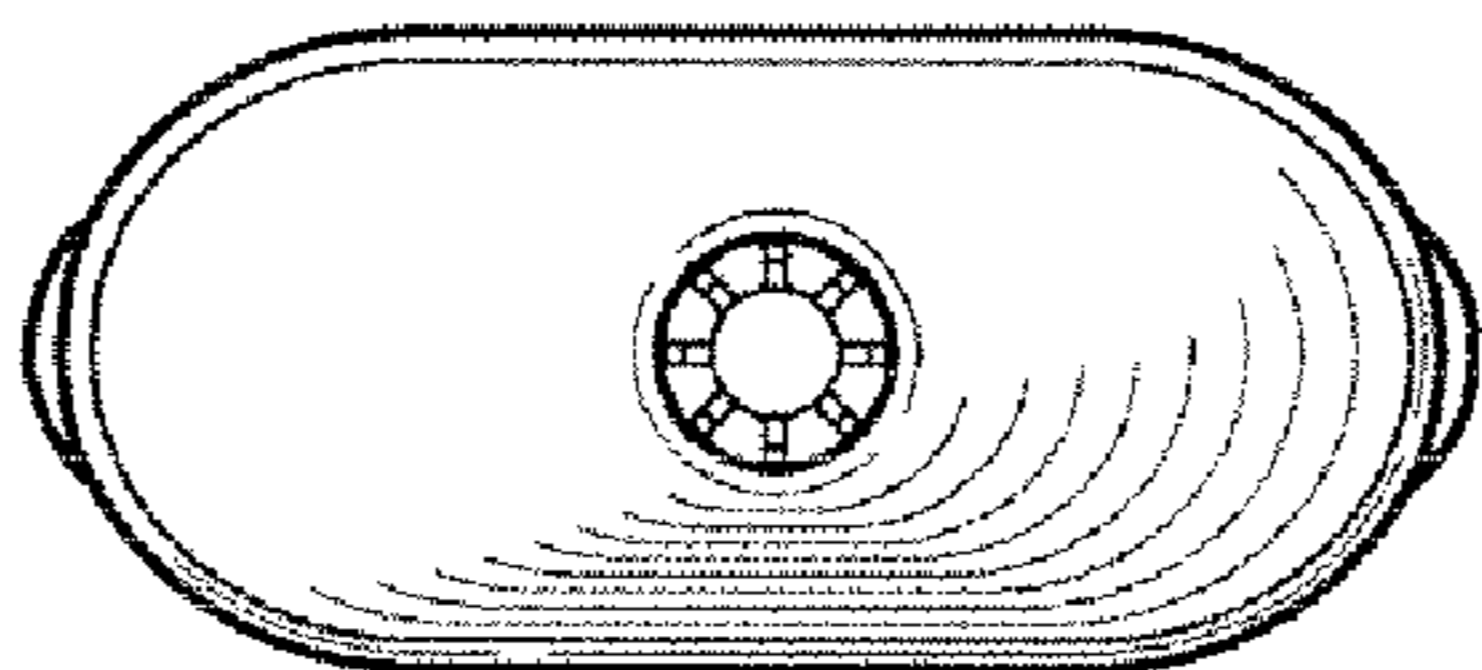


FIG. 21

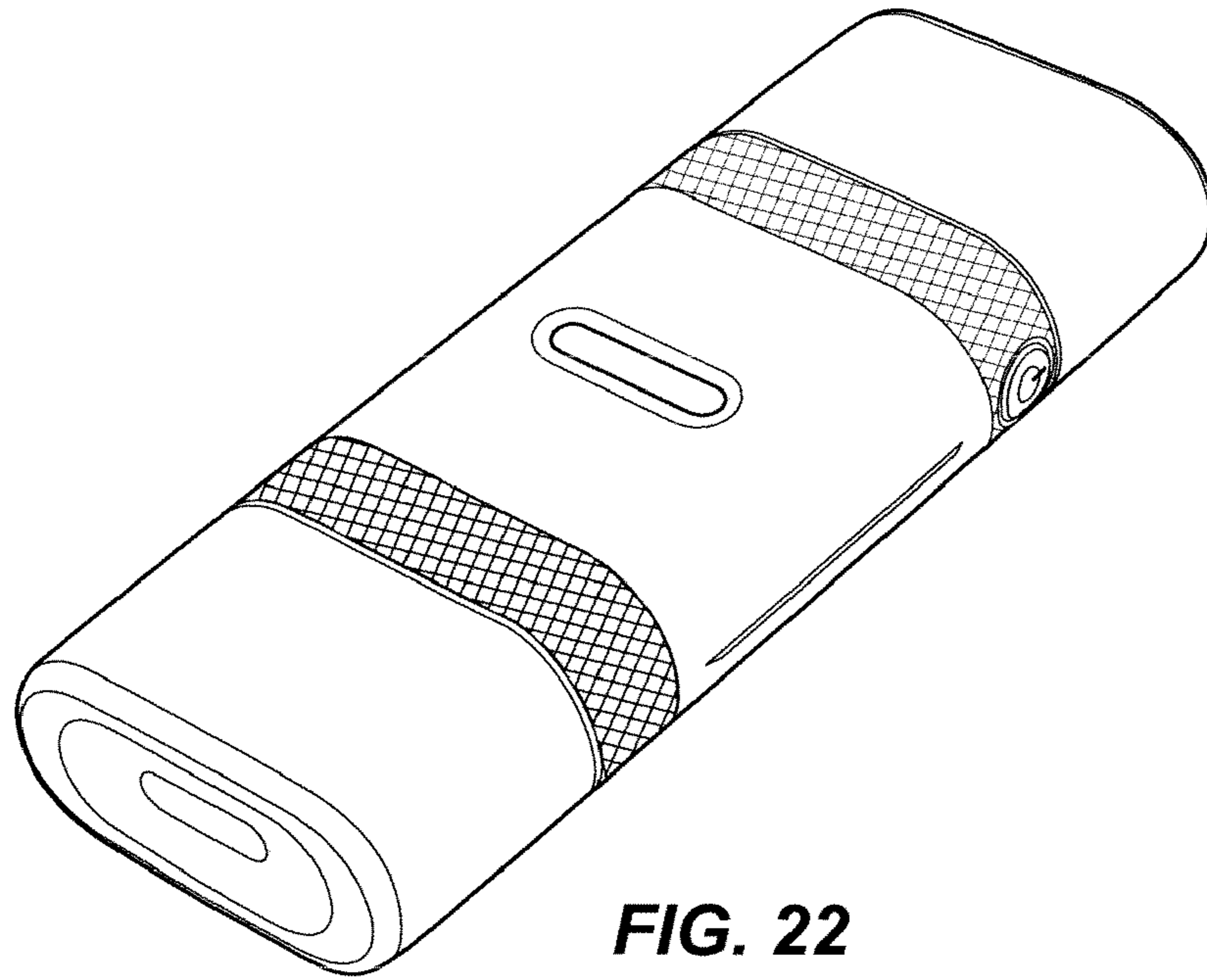


FIG. 22

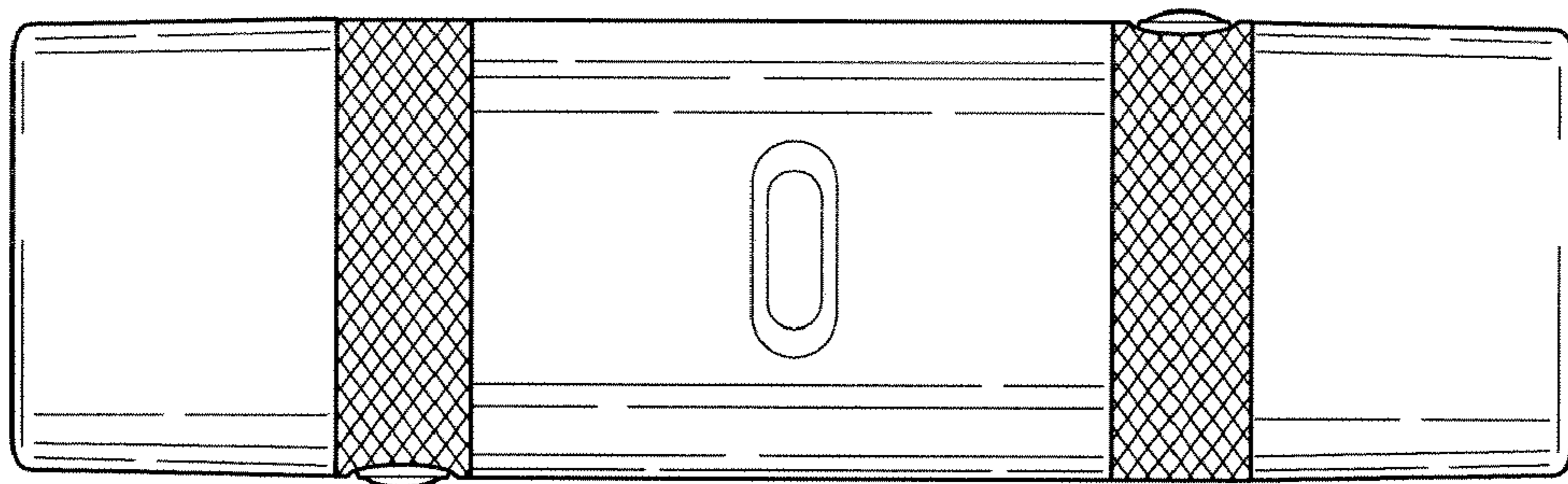


FIG. 23

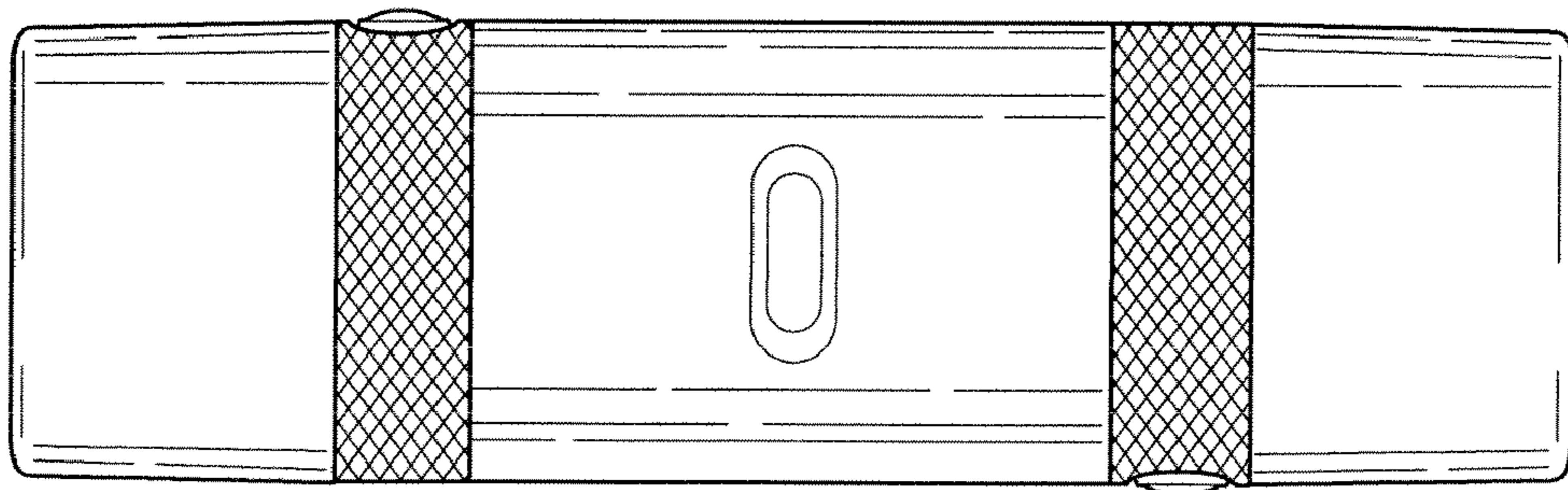


FIG. 24

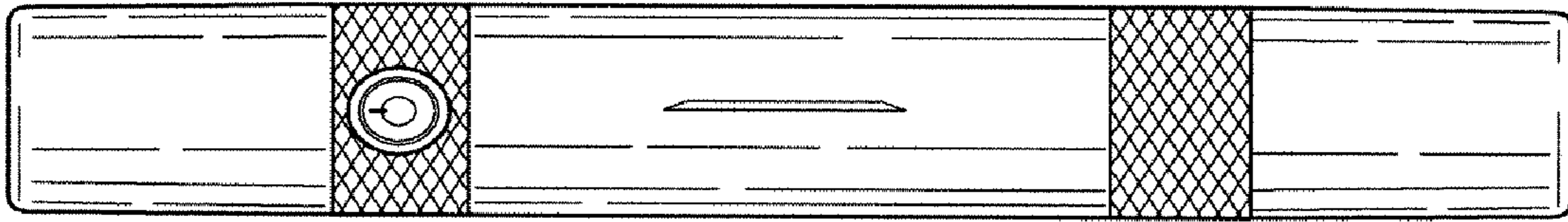


FIG. 25

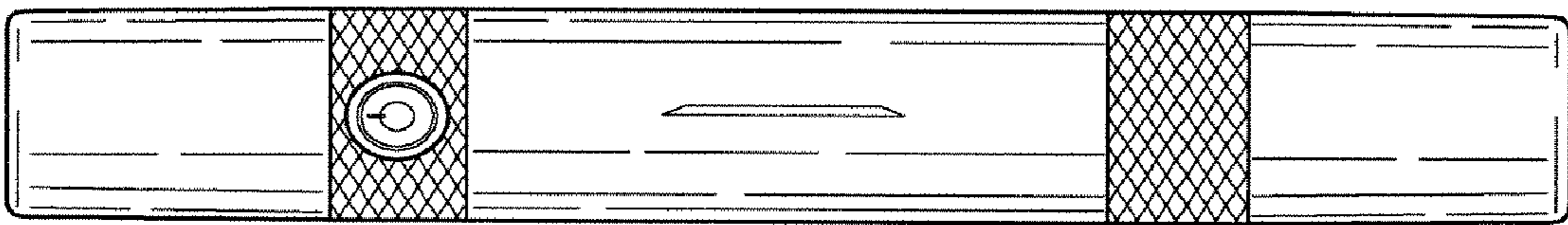


FIG. 26

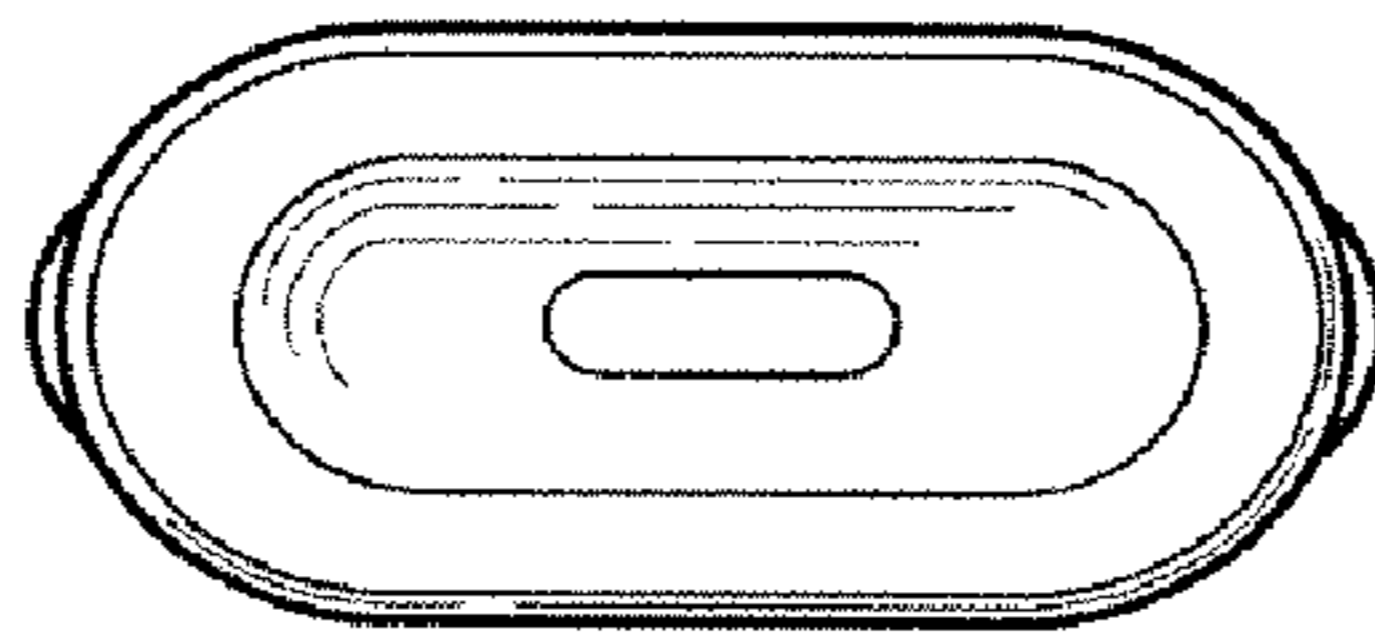


FIG. 27

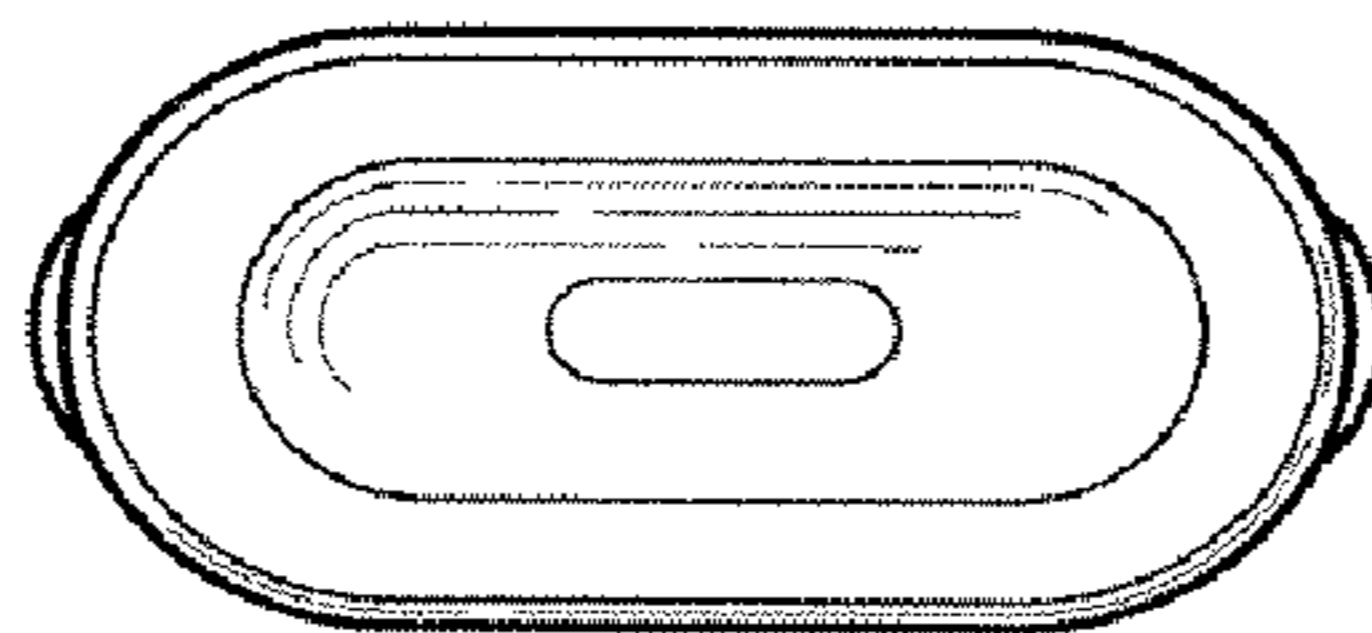


FIG. 28