



US00D560304S

(12) **United States Design Patent**
Miranda

(10) **Patent No.:** **US D560,304 S**

(45) **Date of Patent:** **** Jan. 22, 2008**

(54) **FITTER FOR LIGHTING FIXTURE**

(76) Inventor: **Pasquale Miranda**, 63-2nd St., Garden City, NY (US) 11530

(**) Term: **14 Years**

(21) Appl. No.: **29/270,256**

(22) Filed: **Dec. 19, 2006**

(51) **LOC (8) Cl.** **26-99**

(52) **U.S. Cl.** **D26/142**

(58) **Field of Classification Search** D26/37,
D26/68, 93, 138, 71, 118, 24, 67, 87, 85,
D26/129, 72, 128, 110, 142, 154, 153, 26,
D26/152, 149, 133; 362/405, 147, 410, 431
See application file for complete search history.

(56) **References Cited**

U.S. PATENT DOCUMENTS

- D213,519 S * 3/1969 Vesely et al. D26/71
- D427,352 S * 6/2000 Miranda D26/72
- D427,355 S * 6/2000 Miranda D26/87

- D483,138 S * 12/2003 Chen D26/67
- D483,143 S * 12/2003 Orozco D26/87
- D507,068 S * 7/2005 Chen D26/67
- D510,453 S * 10/2005 De'Armond D26/128
- D517,724 S * 3/2006 Morrow D26/110

* cited by examiner

Primary Examiner—Cathron Brooks
Assistant Examiner—Kevin K Rudzinski

(57) **CLAIM**

The ornamental design for a fitter for lighting fixture, as shown and described.

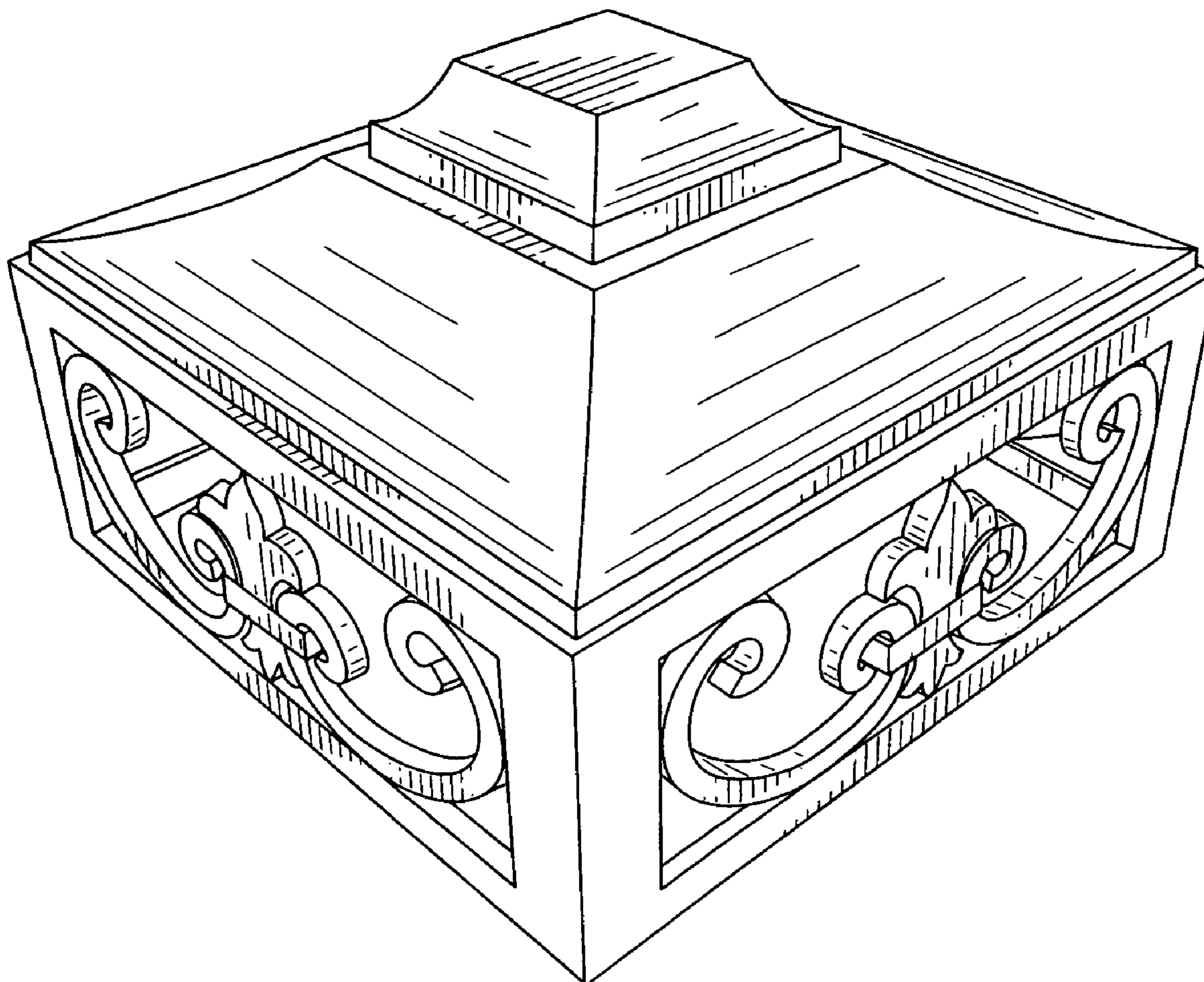
DESCRIPTION

FIG. 1 is a perspective view of fitter for lighting fixture showing my new design;

FIG. 2 is a front elevational view thereof, all sides being identical; and,

FIG. 3 is a top plan view thereof.

1 Claim, 3 Drawing Sheets



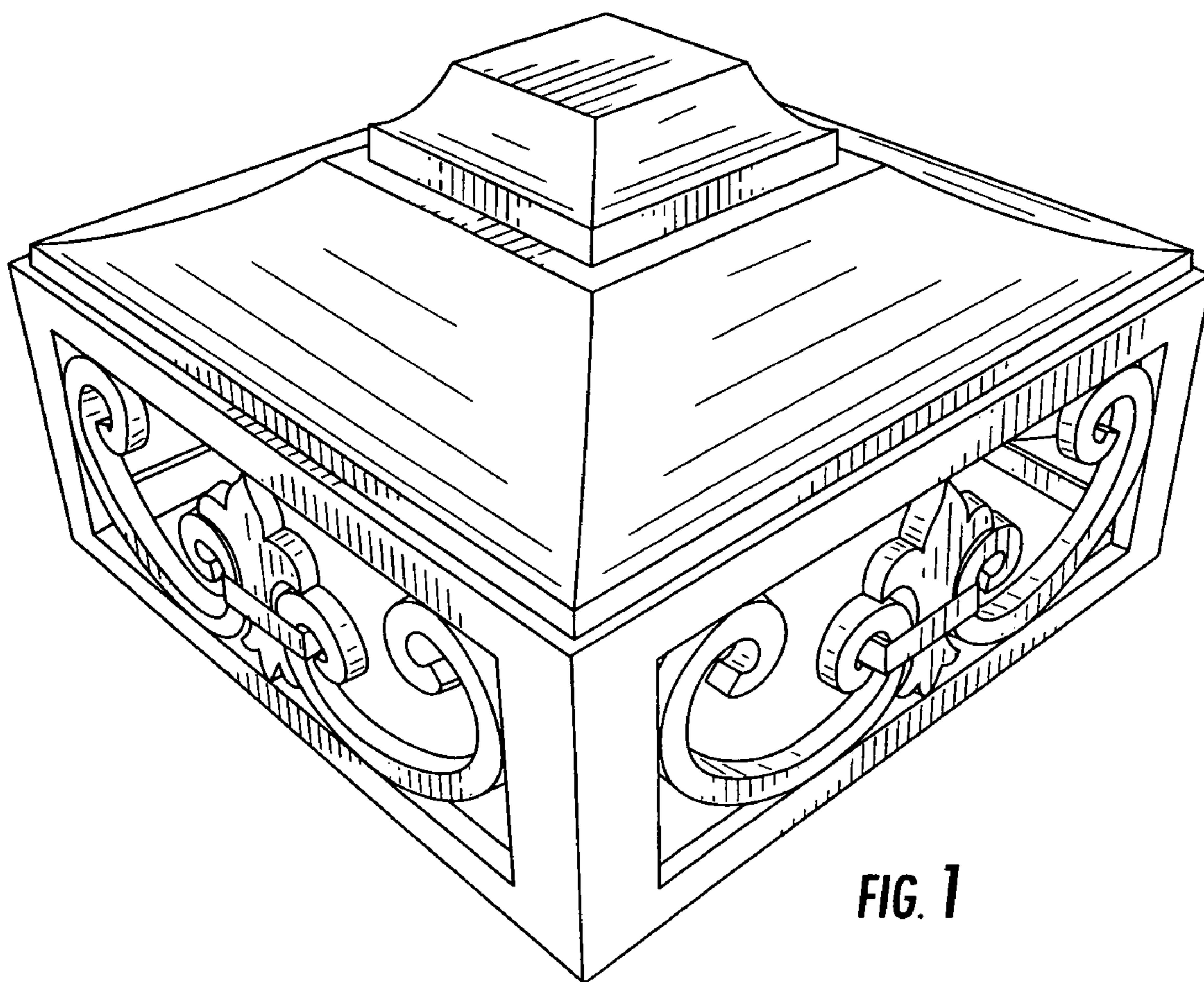


FIG. 1

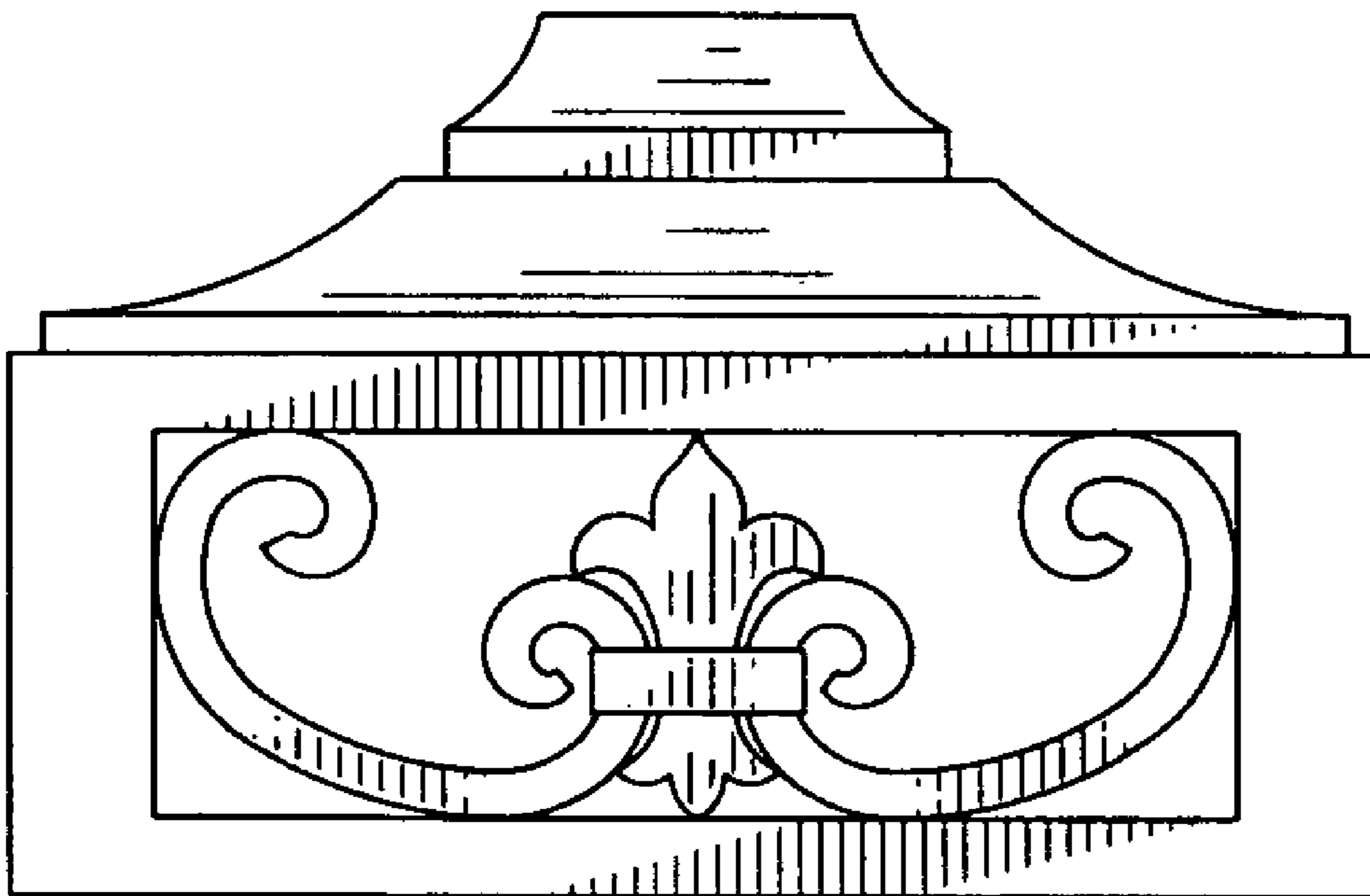


FIG. 2

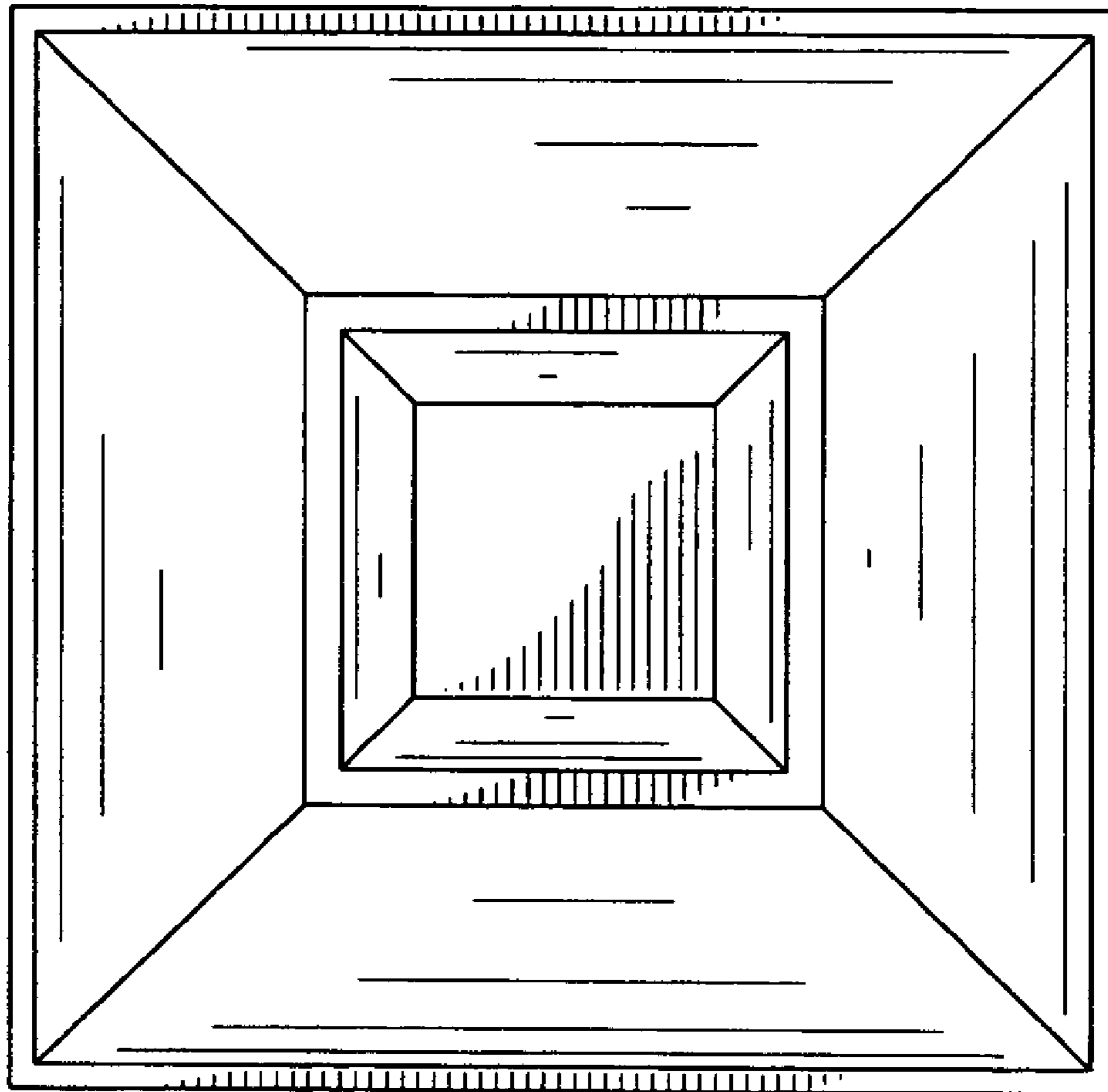


FIG. 3