

US00D560303S

(12) **United States Design Patent**
Mays et al.

(10) **Patent No.:** **US D560,303 S**

(45) **Date of Patent:** **** Jan. 22, 2008**

(54) **FOG LAMP**

(75) Inventors: **J C. Mays**, Dearborn, MI (US); **Larry R. Erickson**, Birmingham, MI (US)

(73) Assignee: **Ford Motor Company**, Dearborn, MI (US)

(**) Term: **14 Years**

(21) Appl. No.: **29/194,564**

(22) Filed: **Nov. 26, 2003**

(51) **LOC (8) Cl.** **26-99**

(52) **U.S. Cl.** **D26/139**

(58) **Field of Classification Search** D26/28-36,
D26/119; 362/459-468, 475-478, 485-487
See application file for complete search history.

(56) **References Cited**

U.S. PATENT DOCUMENTS

- D469,896 S * 2/2003 Ziaylek et al. D26/28
- D470,257 S * 2/2003 Byggmaster D26/28
- D485,626 S * 1/2004 Parker D26/37

OTHER PUBLICATIONS

40 Pages—Photographs of Commercial Parts, cited prior to Nov. 26, 2003.

* cited by examiner

Primary Examiner—Marcus A. Jackson

(74) *Attorney, Agent, or Firm*—Gigette M. Bejin

(57) **CLAIM**

The ornamental design for a fog lamp, as shown and described.

DESCRIPTION

FIG. 1 is isometric rear view in perspective of a motor vehicle that includes the rear bumper fascia;

FIG. 2 is a top plan view of the rear bumper fascia of FIG. 1;

FIG. 3 is a rear view of the rear bumper fascia of FIG. 1;

FIG. 4 is a side view of the rear bumper fascia of FIG. 1 (the other side view being a mirror image thereof); and,

FIG. 5 is a right side elevational view thereof, with the broken lines shown for illustrative purposes only and forming no part of the claimed design.

This design is not limited to the exact details shown in the Drawings, since equivalents and colorable imitations thereof will be evident to a person of ordinary skill in the art. Broken lines are used in the Drawings to denote certain subject matter, for example, environmental structure or boundaries, that form no part of the design to be patented. Thus, within the scope of the appended claim, which is intended to cover only the ornamental and novel elements shown in the Drawings, the invention may be practiced otherwise than as specifically shown and described herein.

1 Claim, 3 Drawing Sheets

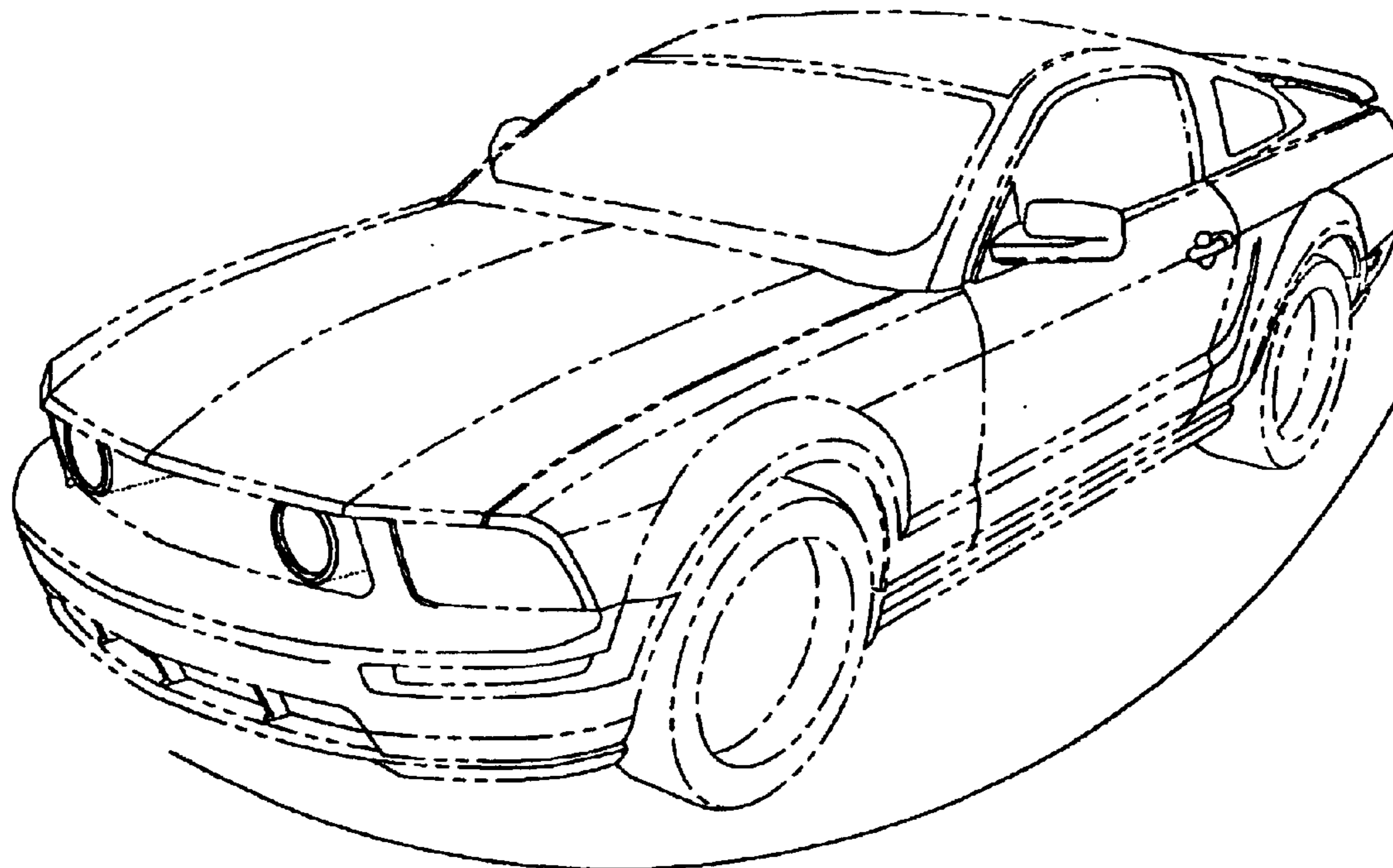


Figure 1

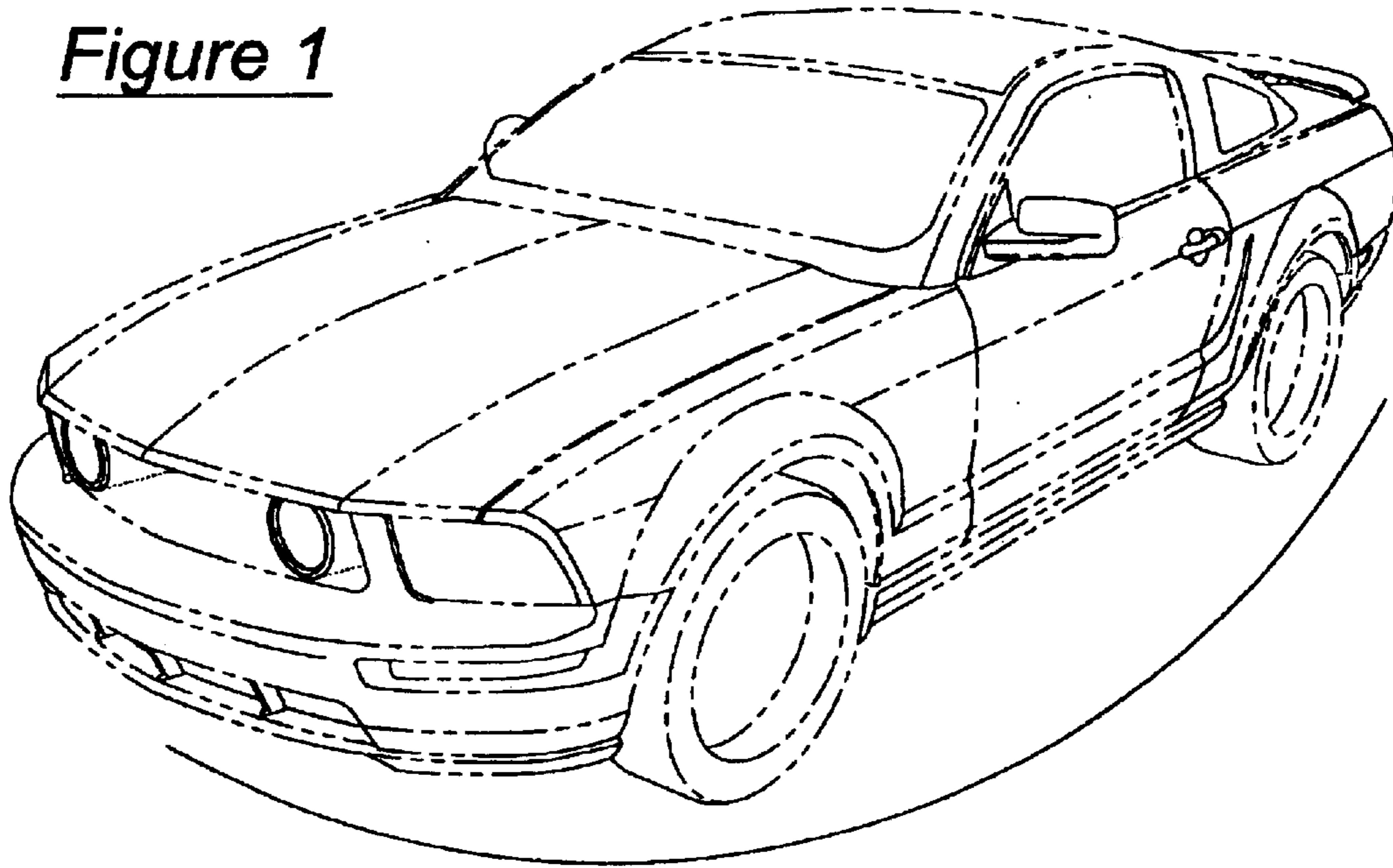
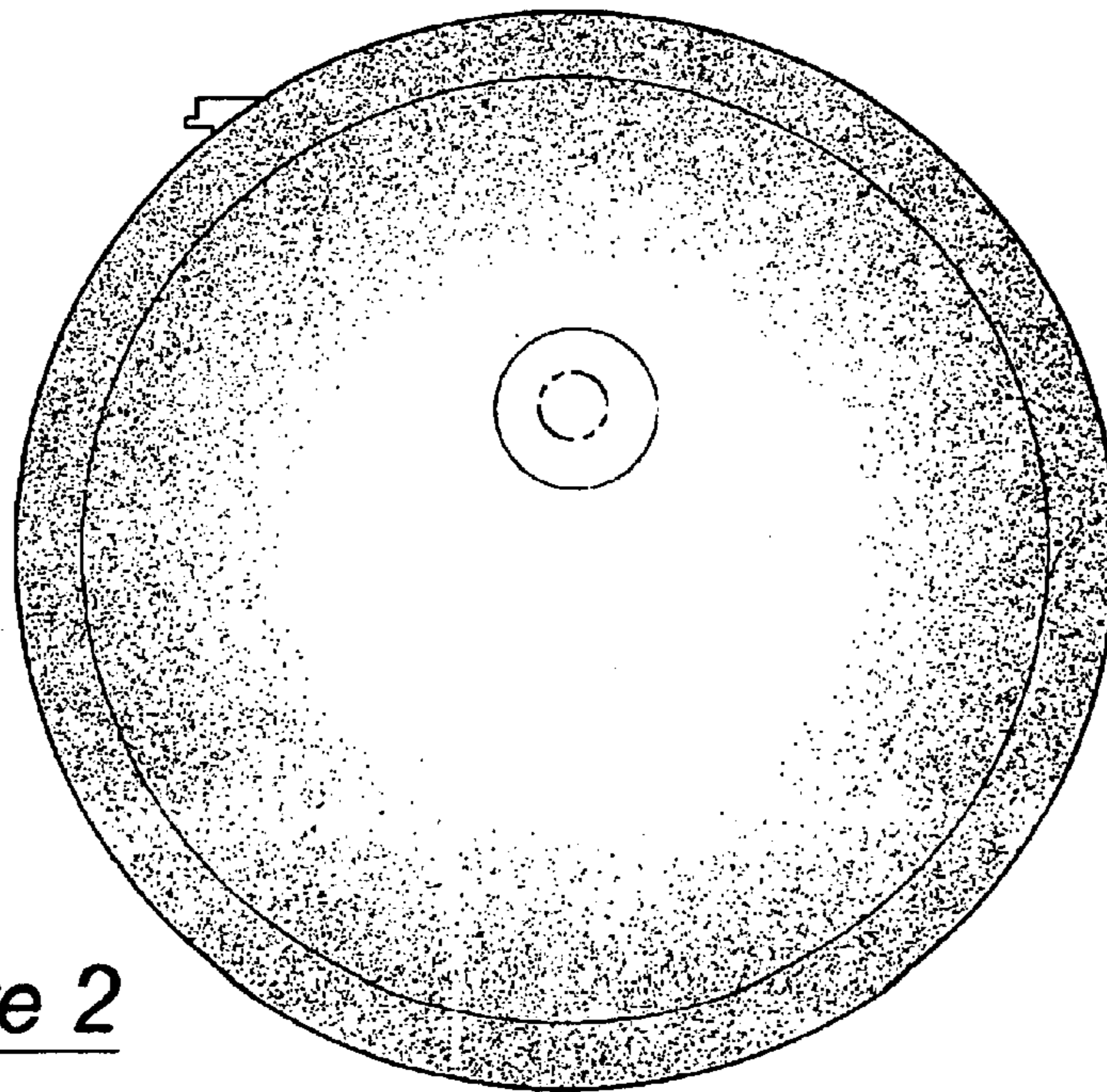


Figure 2



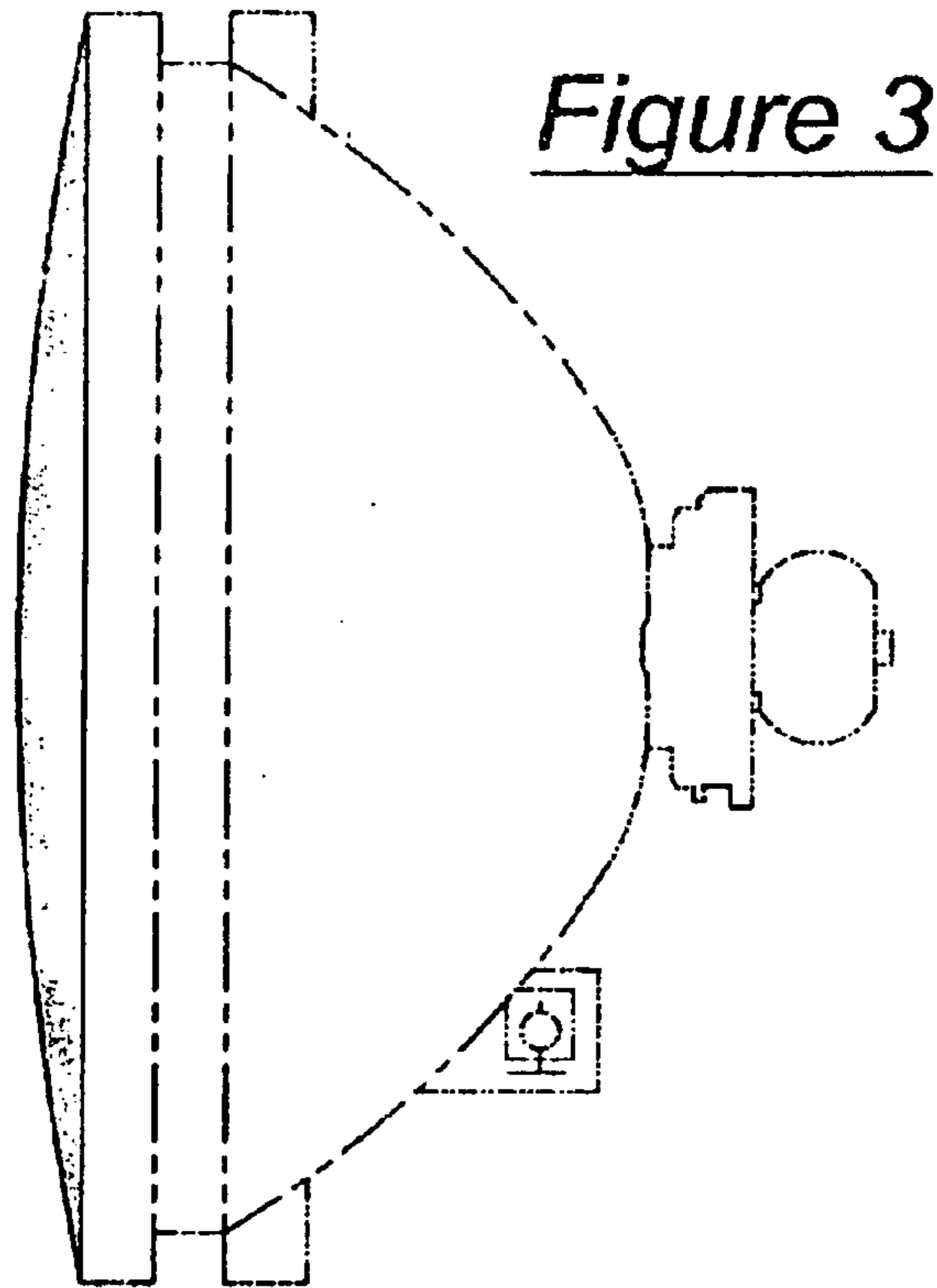


Figure 3

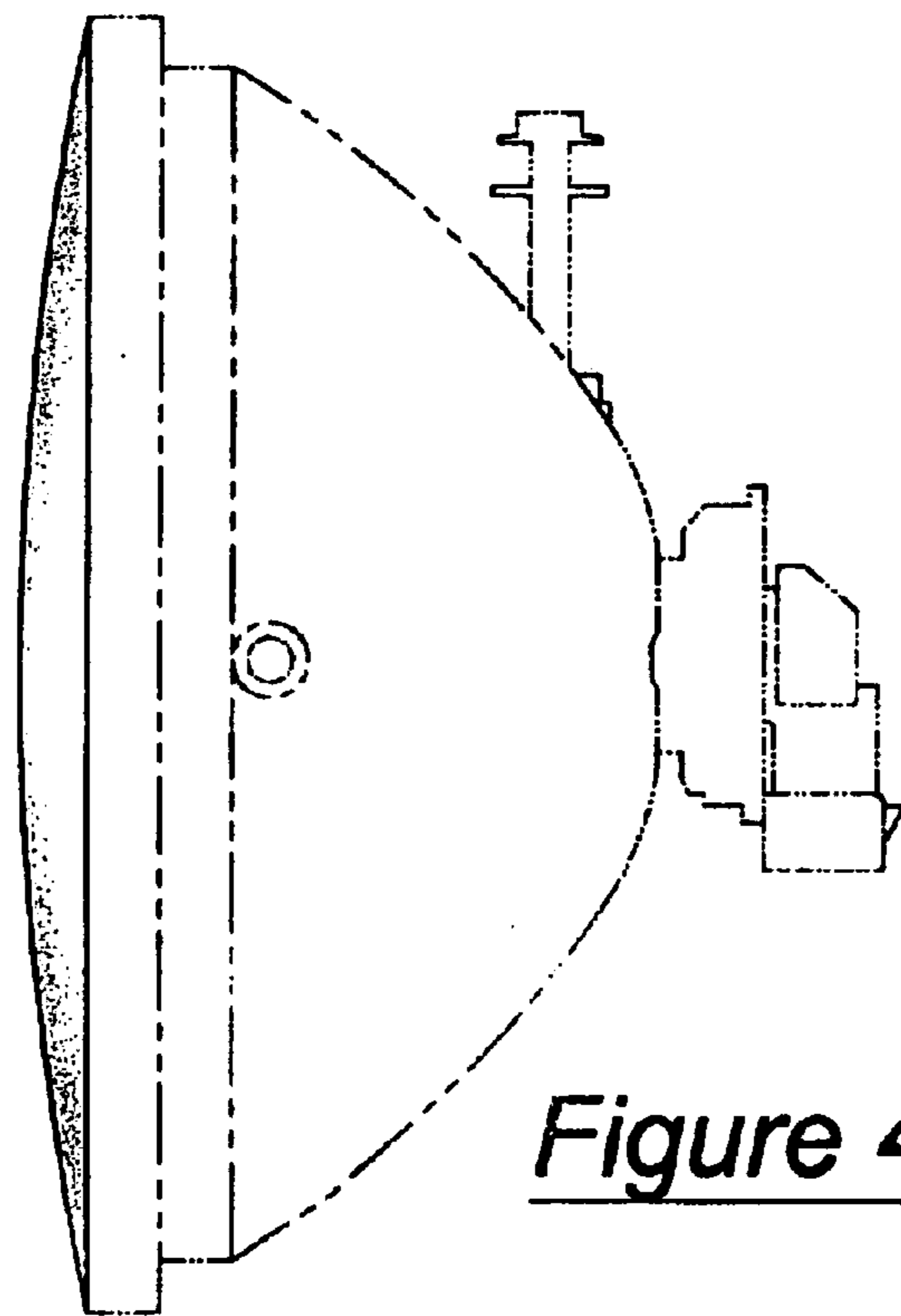


Figure 4

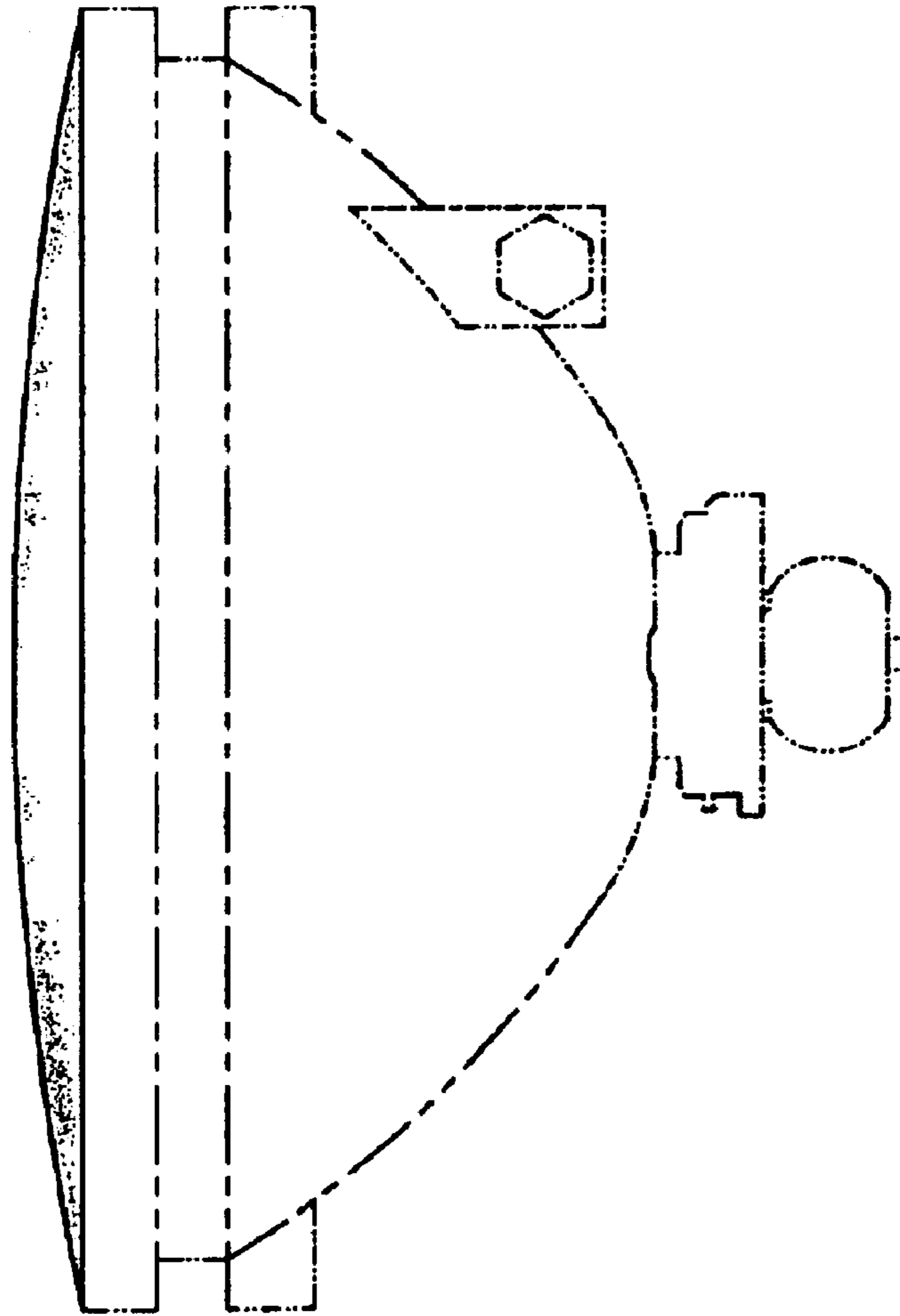


Figure 5