



US00D560297S

(12) **United States Design Patent**
Brown et al.

(10) **Patent No.:** **US D560,297 S**
(45) **Date of Patent:** **** Jan. 22, 2008**

(54) **FLASHLIGHT**

(75) Inventors: **John Brown**, Mosman (AU); **Tim Rugendyke**, Woy Woy (AU); **David A. Spartano**, Brunswick, OH (US)

(73) Assignee: **Eveready Battery Company, Inc.**, St. Louis, MO (US)

(**) Term: **14 Years**

(21) Appl. No.: **29/281,286**

(22) Filed: **Jun. 20, 2007**

(51) **LOC (8) Cl.** **26-02**

(52) **U.S. Cl.** **D26/37**

(58) **Field of Classification Search** D26/37-50;
362/157, 158, 171-174, 183-208
See application file for complete search history.

(56) **References Cited**

U.S. PATENT DOCUMENTS

5,233,375 A	8/1993	Williams et al.	
D534,672 S	1/2007	Kim	
D544,621 S	6/2007	Kim	
D546,988 S *	7/2007	Shiu	D26/37
D548,863 S *	8/2007	Shiu	D26/37
2001/0043313 A1	11/2001	Okura	

OTHER PUBLICATIONS

Fenix P1D LED Flashlight from www.brightguy.com, 2 pages, ©1998-2007.

* cited by examiner

Primary Examiner—Marcus A Jackson

(74) *Attorney, Agent, or Firm*—Gregory J. Adams

(57) **CLAIM**

We claim the ornamental design for a flashlight, as shown and described.

DESCRIPTION

FIG. 1 is a front perspective view of a flashlight, showing our new design, according to a first embodiment;

FIG. 2 is a rear bottom perspective view thereof;

FIG. 3 is a top view thereof;

FIG. 4 is a left side view thereof, and with the right side view being a mirror image thereof;

FIG. 5 is a bottom side view thereof;

FIG. 6 is a front view thereof;

FIG. 7 is a rear view thereof;

FIG. 8 is a front perspective view of a second embodiment of the flashlight of FIG. 1;

FIG. 9 is a rear bottom perspective view of the embodiment of FIG. 8;

FIG. 10 is a top view of the embodiment of FIG. 8;

FIG. 11 is a left side view of the embodiment of FIG. 8, and with the right side view being a mirror image thereof;

FIG. 12 is a bottom view of the embodiment of FIG. 8;

FIG. 13 is a front view of the embodiment of FIG. 8;

FIG. 14 is a rear view of the embodiment of FIG. 8;

FIG. 15 is a front perspective view of a third embodiment of the flashlight of FIG. 1;

FIG. 16 is a rear perspective view of the embodiment shown in FIG. 15;

FIG. 17 is a top view of the embodiment shown in FIG. 15;

FIG. 18 is a left side view of the embodiment shown in FIG. 15, and with the right side view being a mirror image thereof;

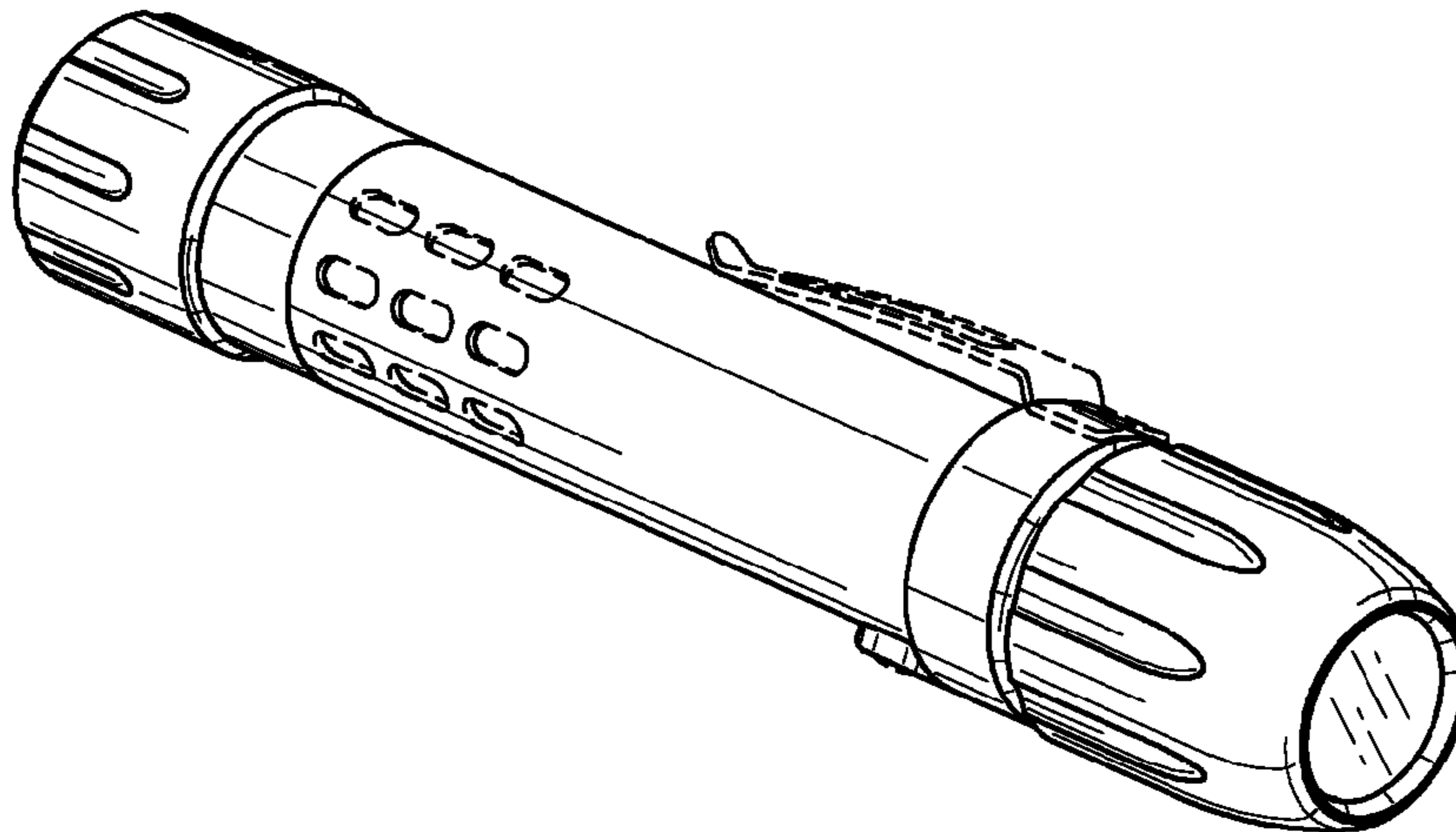
FIG. 19 is a bottom view of the embodiment shown in FIG. 15;

FIG. 20 is a front view of the embodiment shown in FIG. 15; and,

FIG. 21 is a rear view of the embodiment shown in FIG. 15.

The broken line showing of the clip is included for the purpose of illustrating only and forms no part of the claimed design.

1 Claim, 6 Drawing Sheets



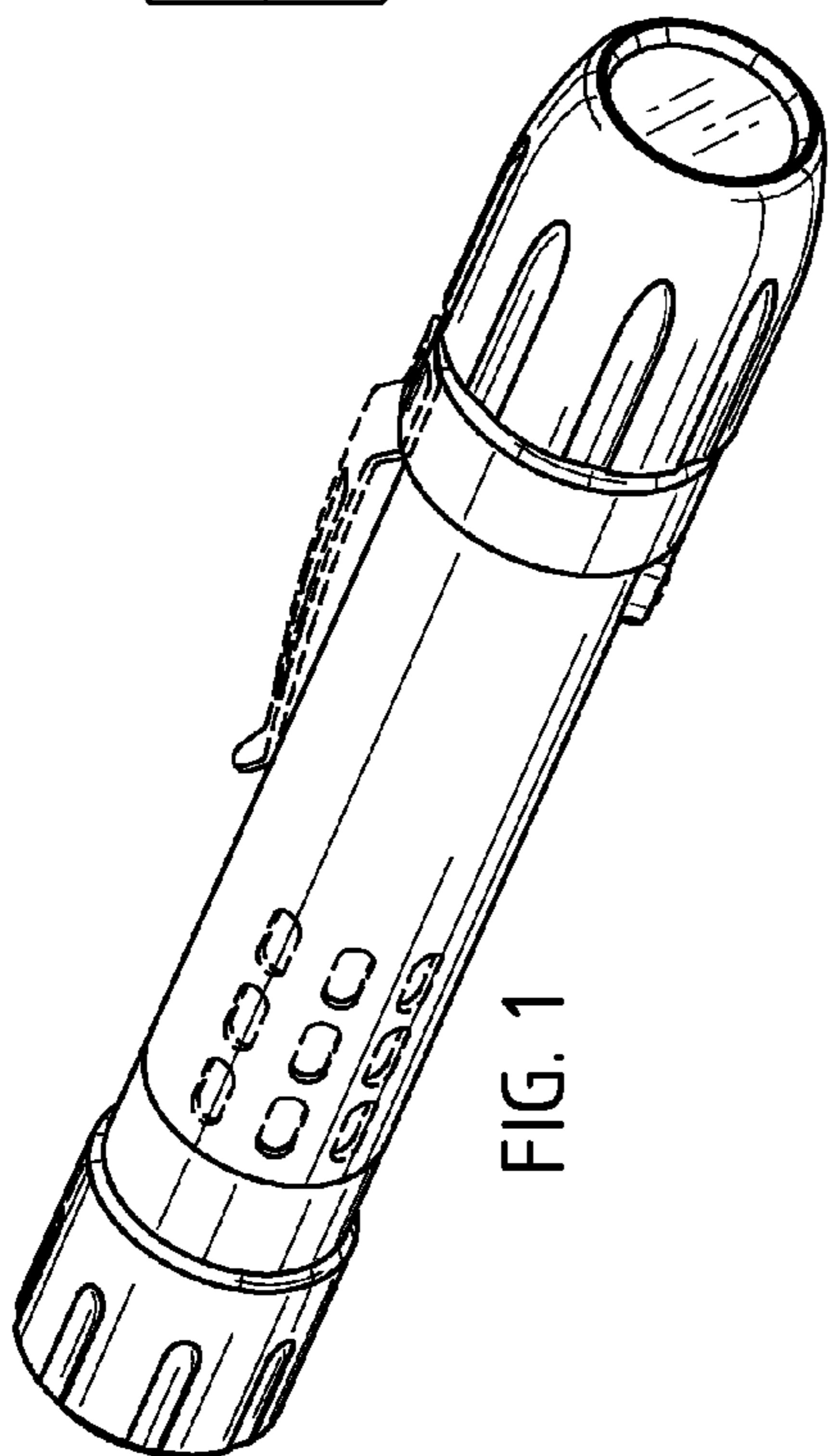


FIG. 1

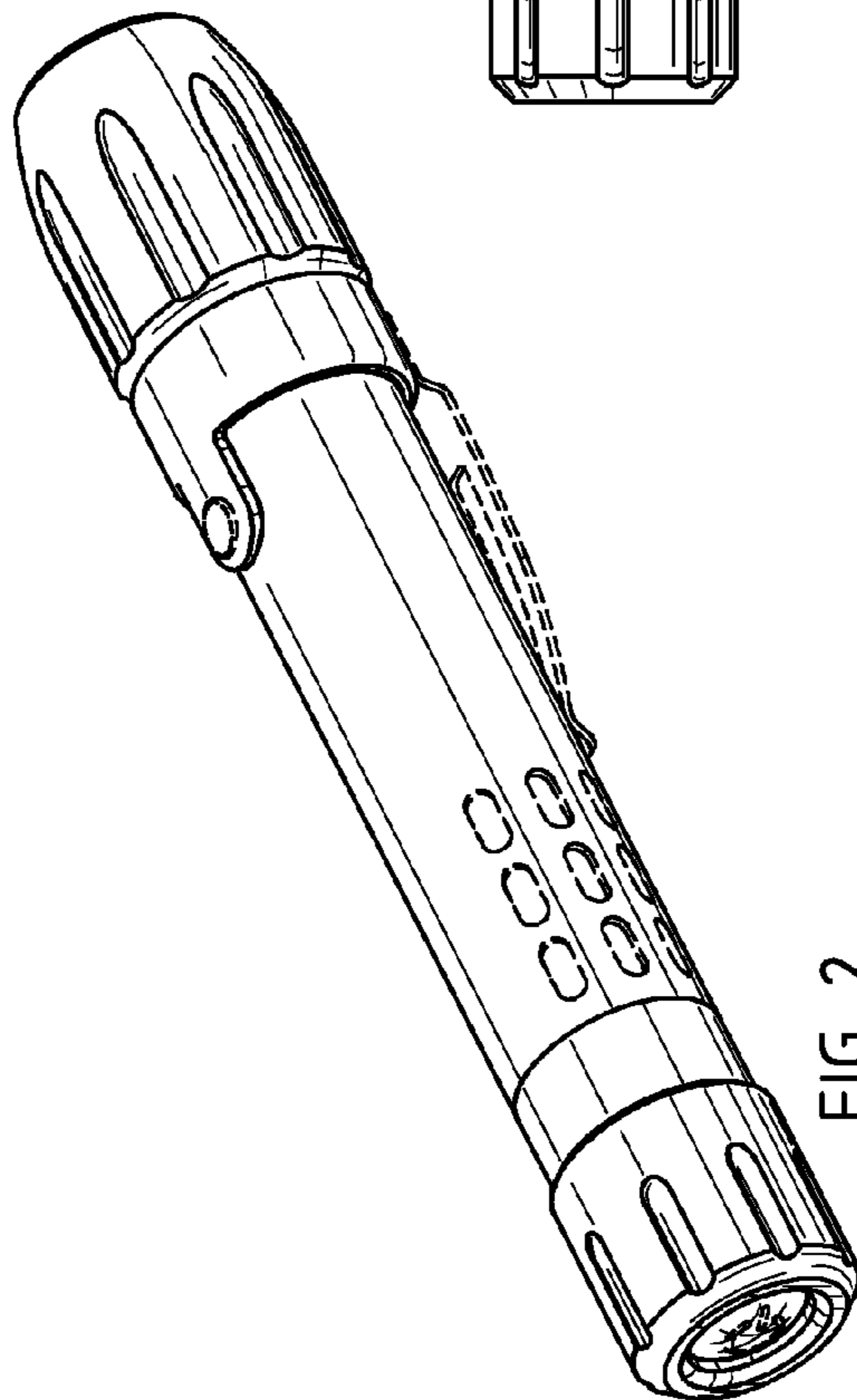


FIG. 2

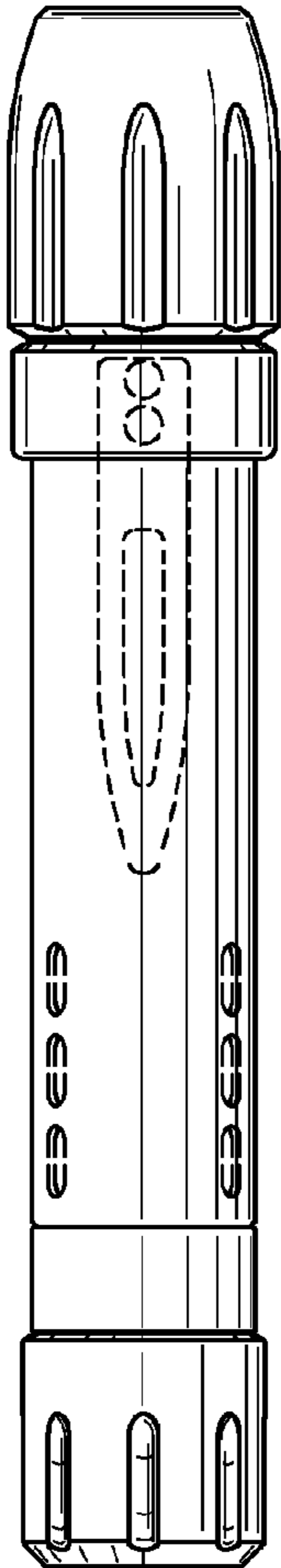


FIG. 3

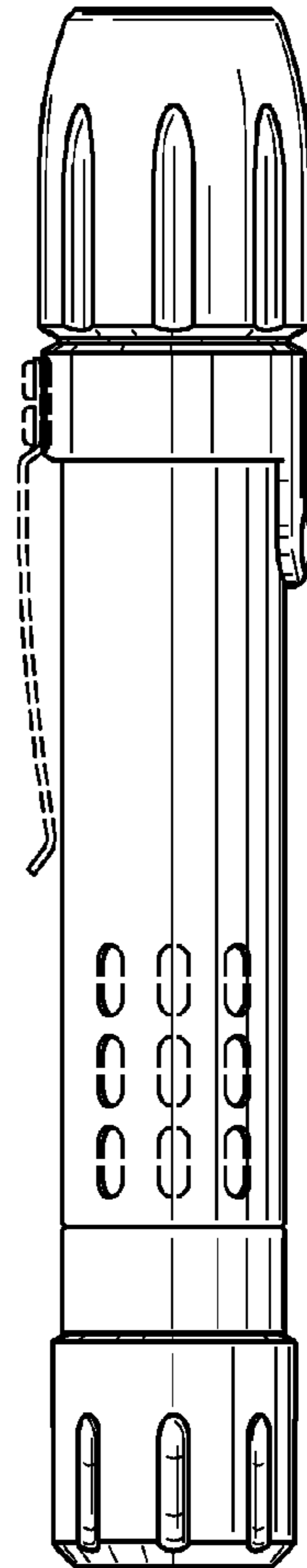


FIG. 4

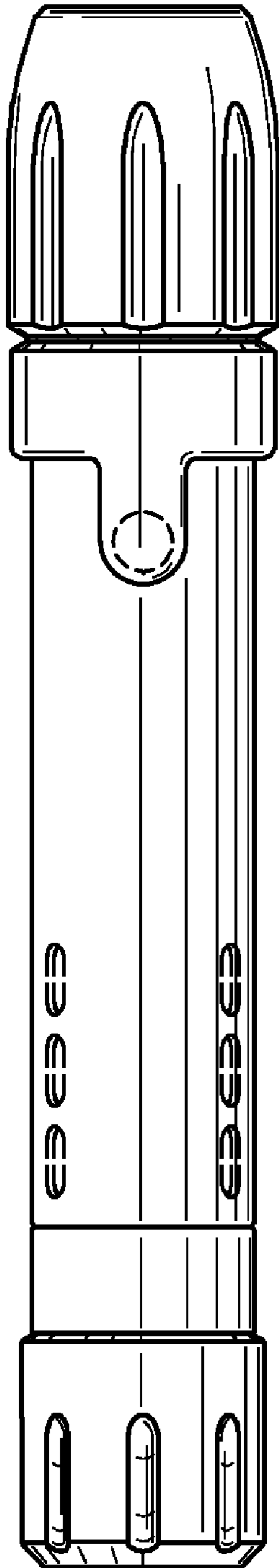


FIG. 5

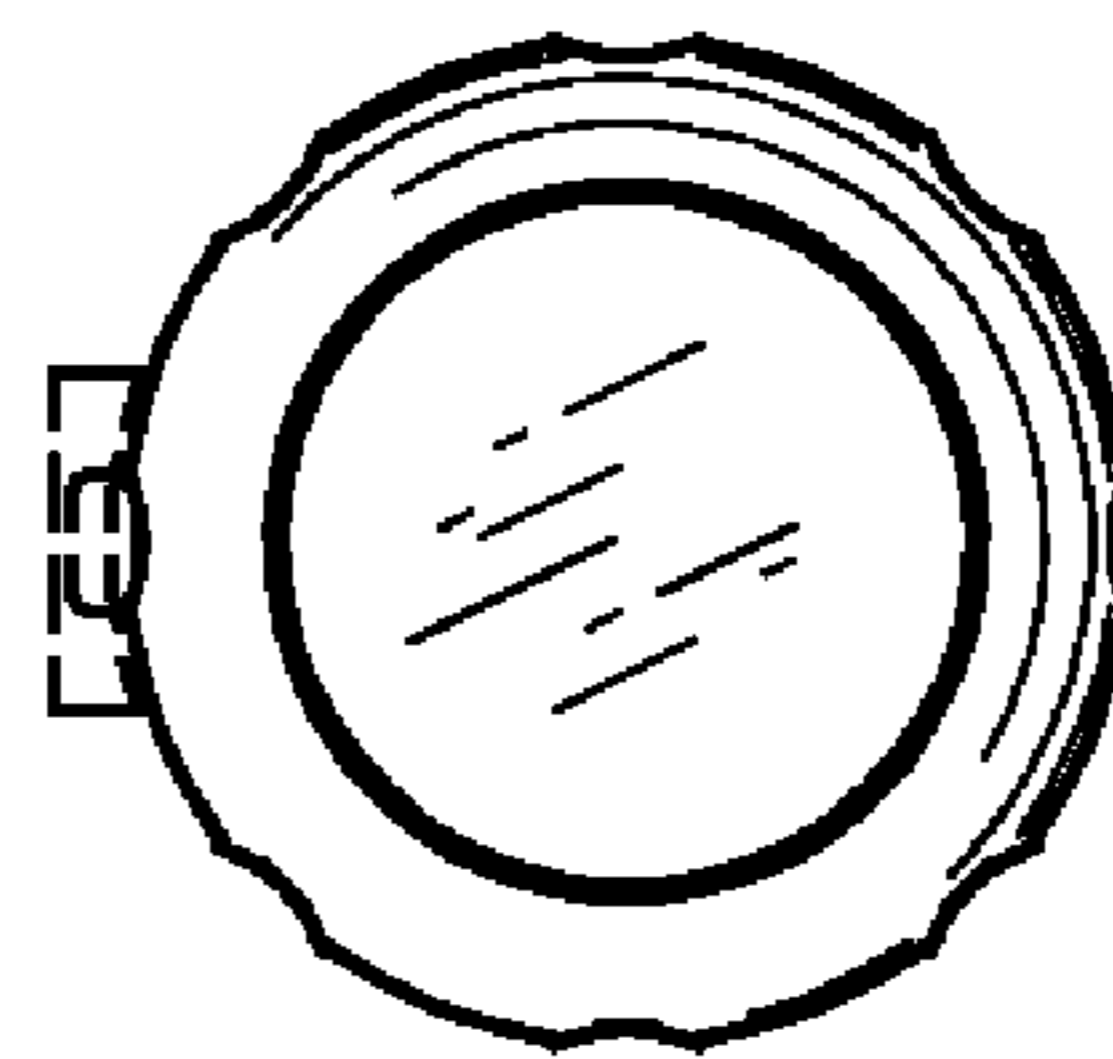


FIG. 6

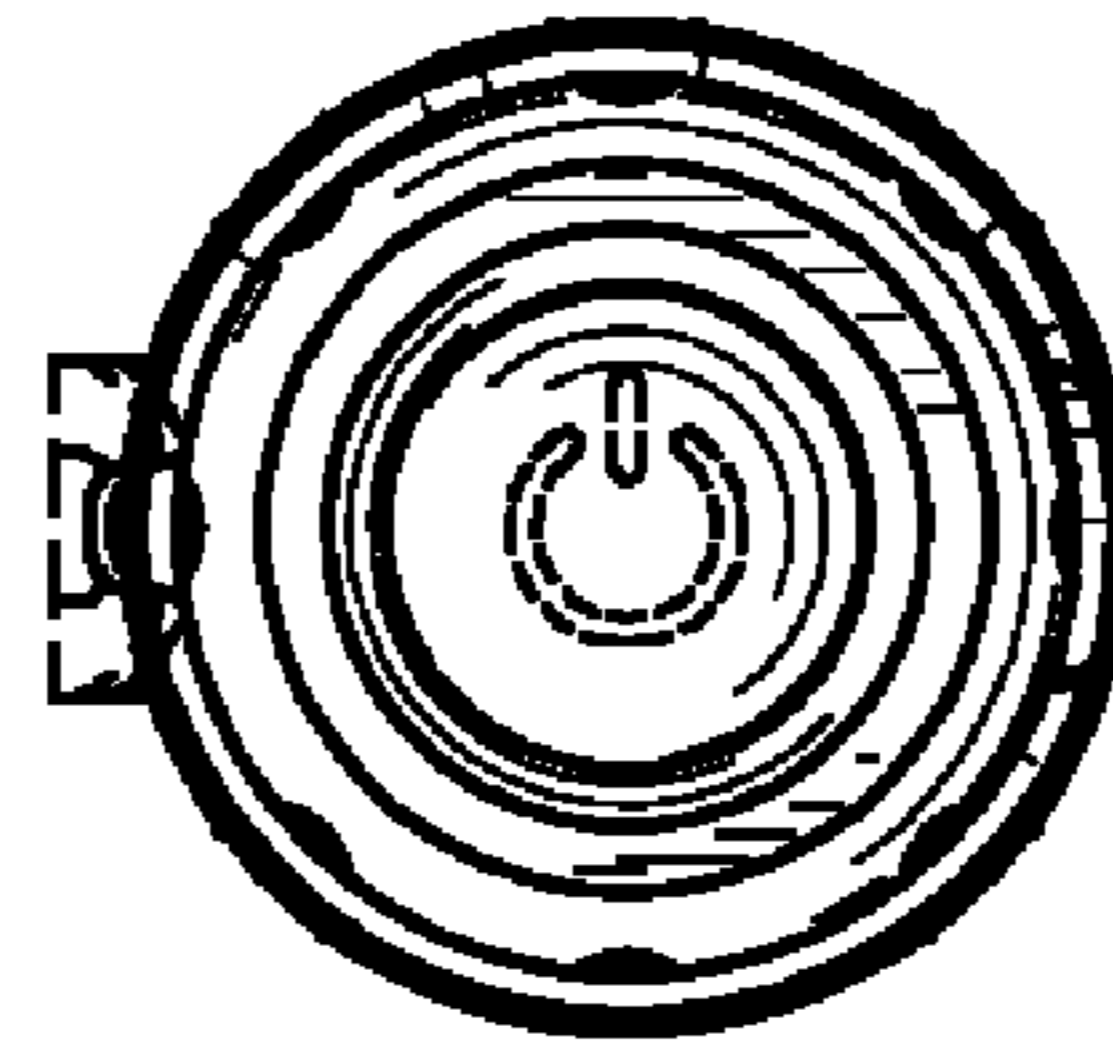


FIG. 7

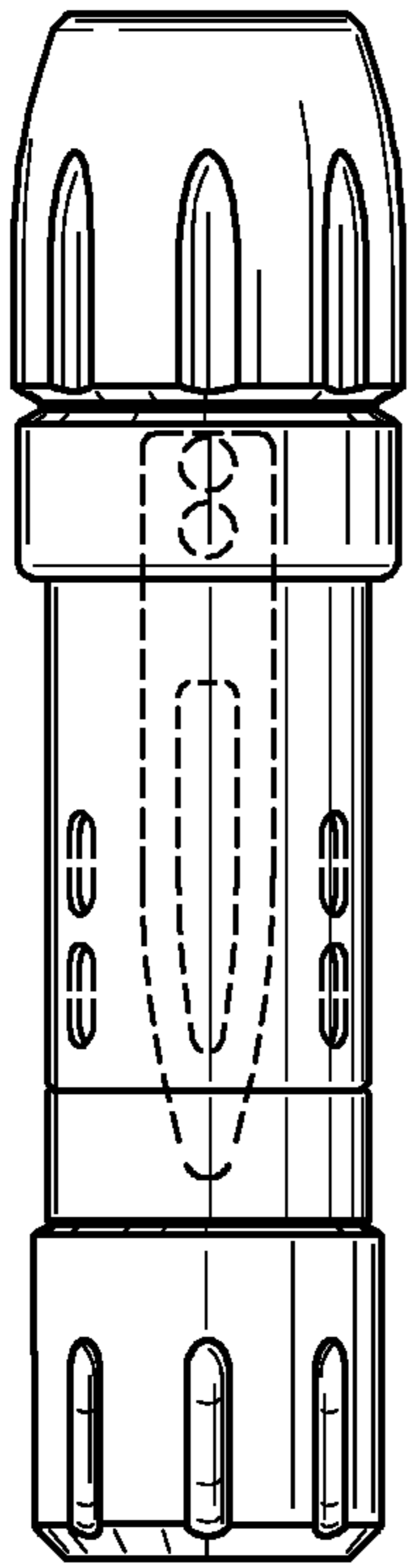


FIG. 10

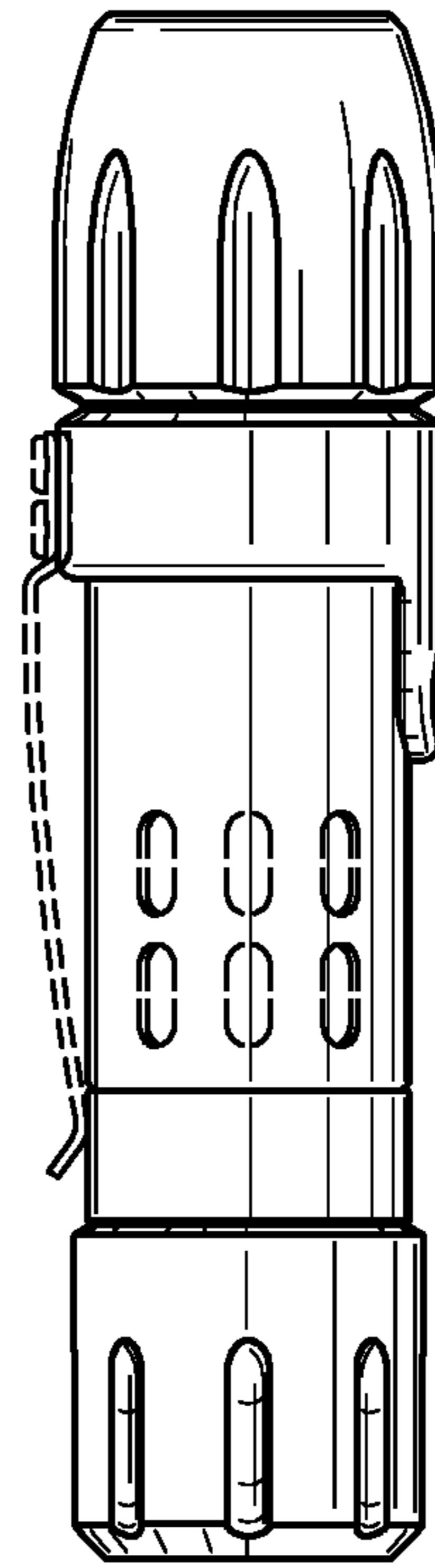


FIG. 11

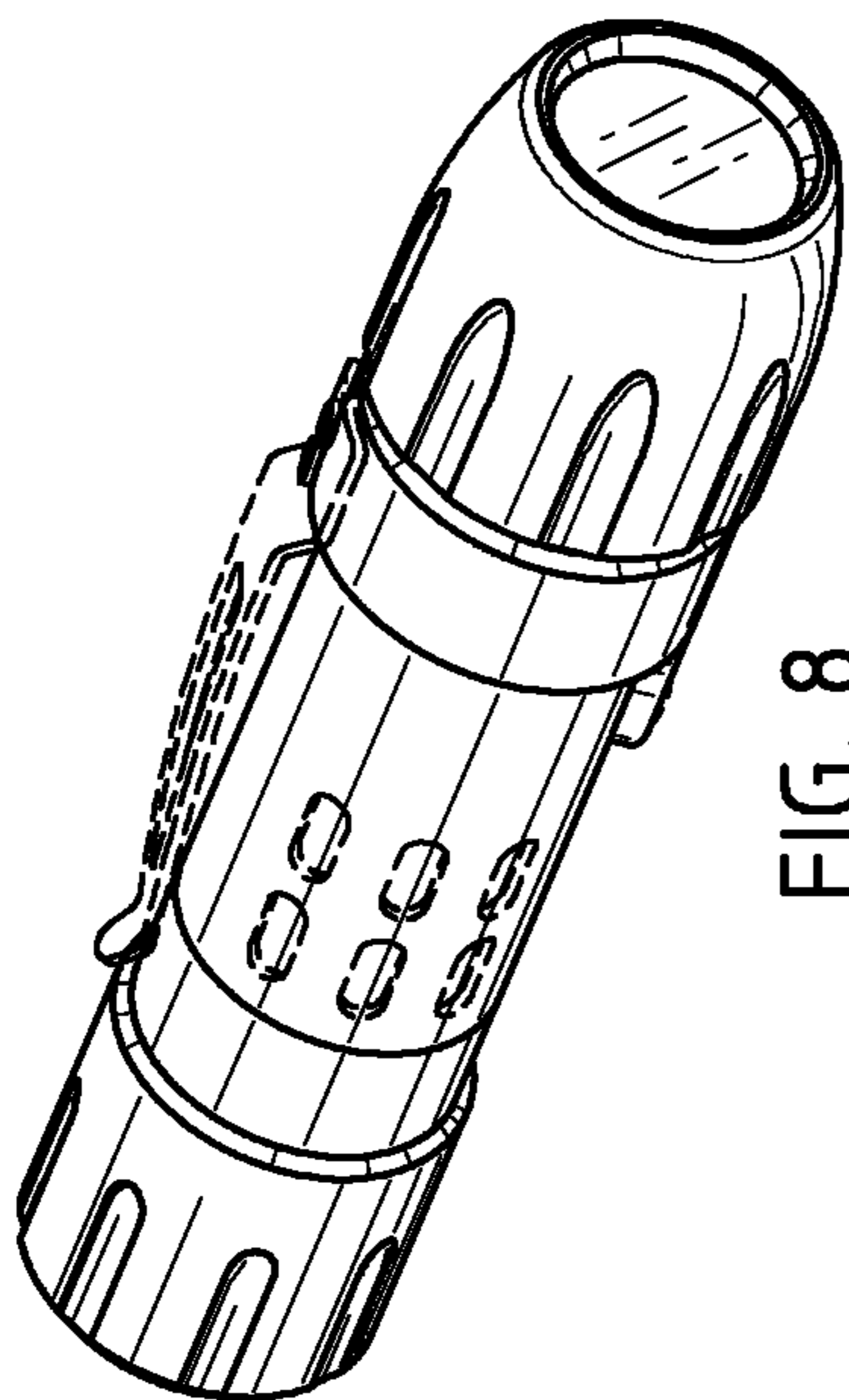


FIG. 8

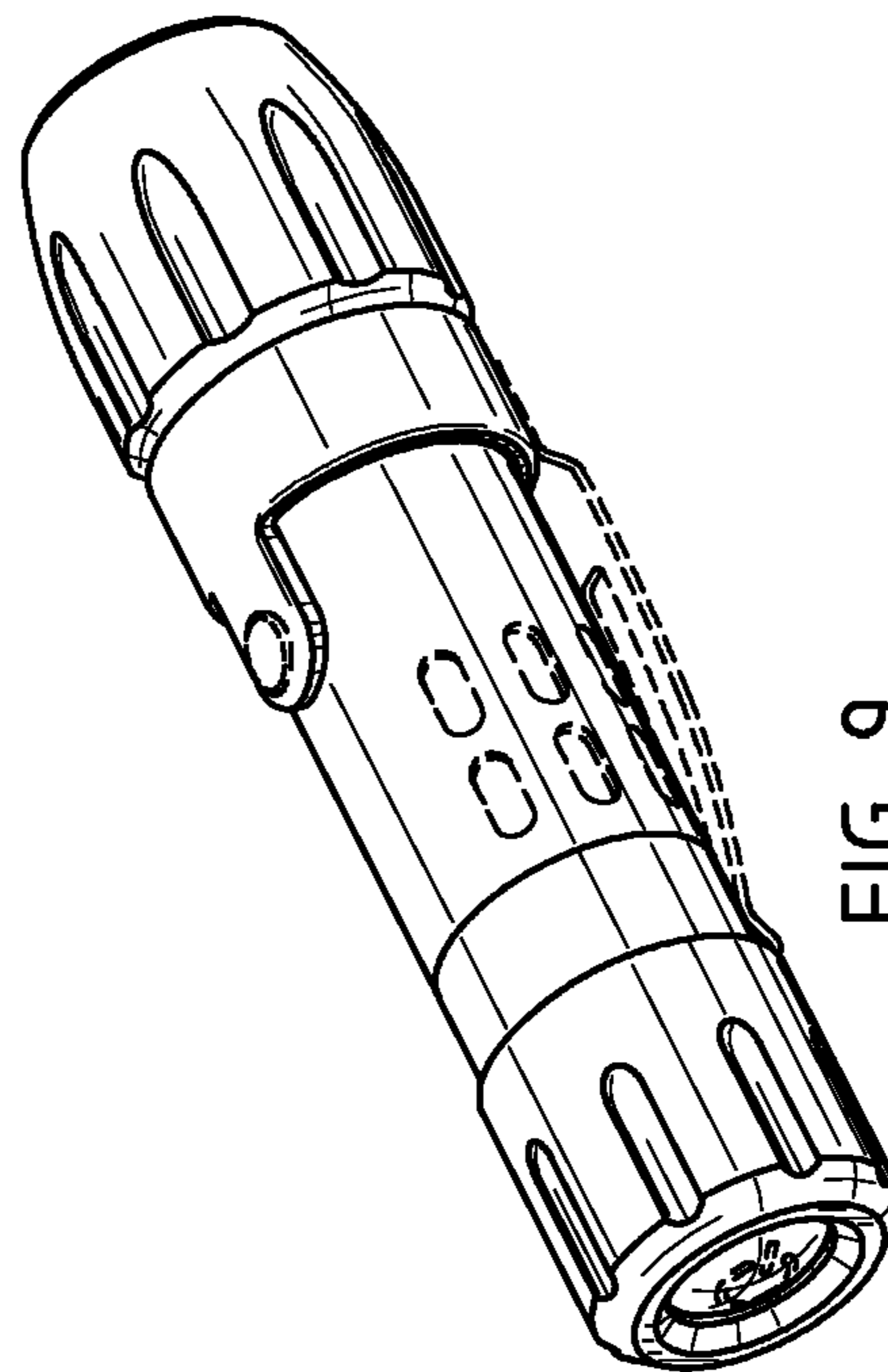


FIG. 9

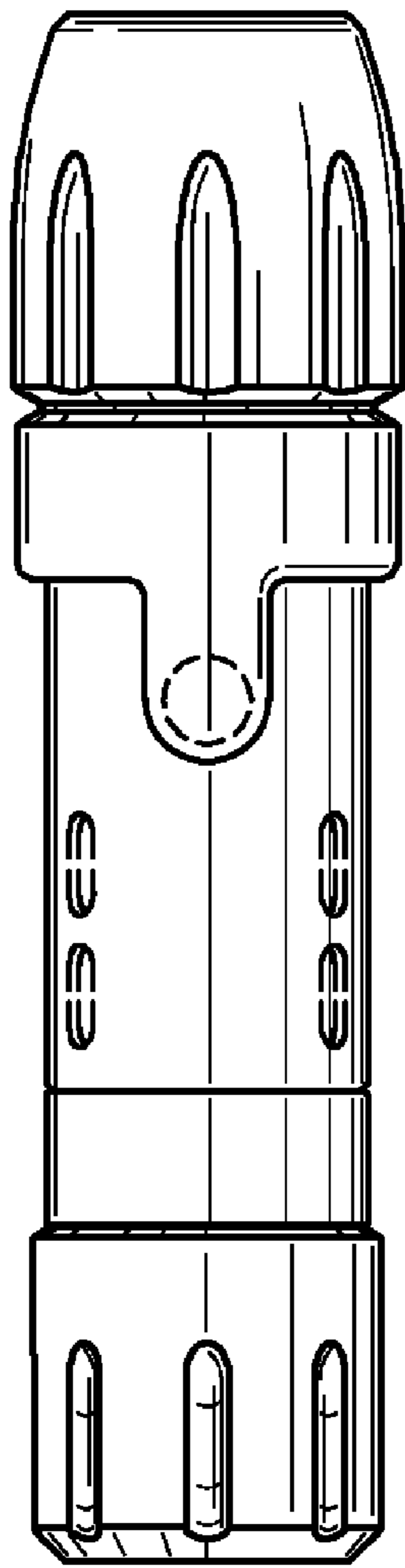


FIG. 12

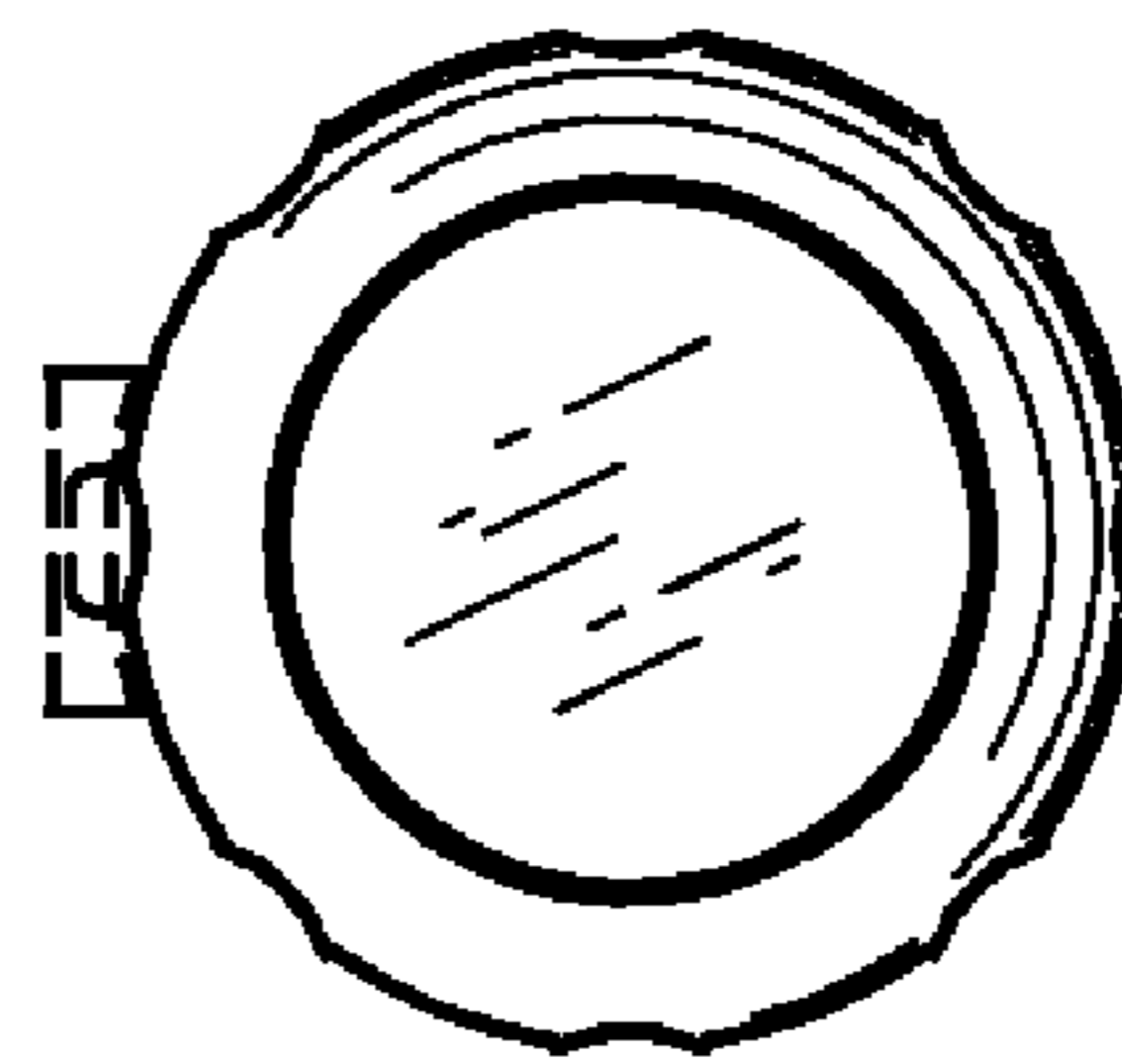


FIG. 13

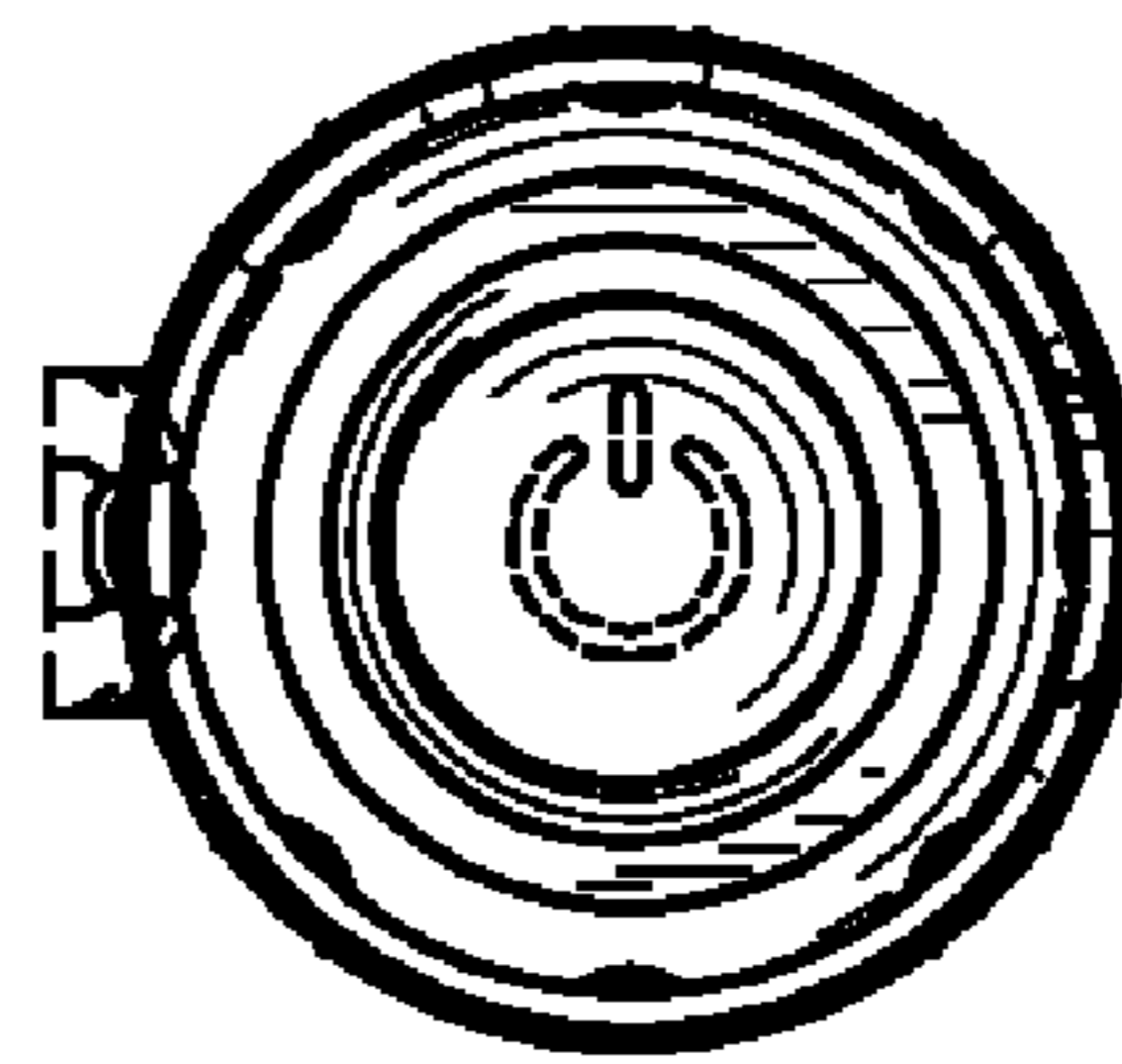


FIG. 14

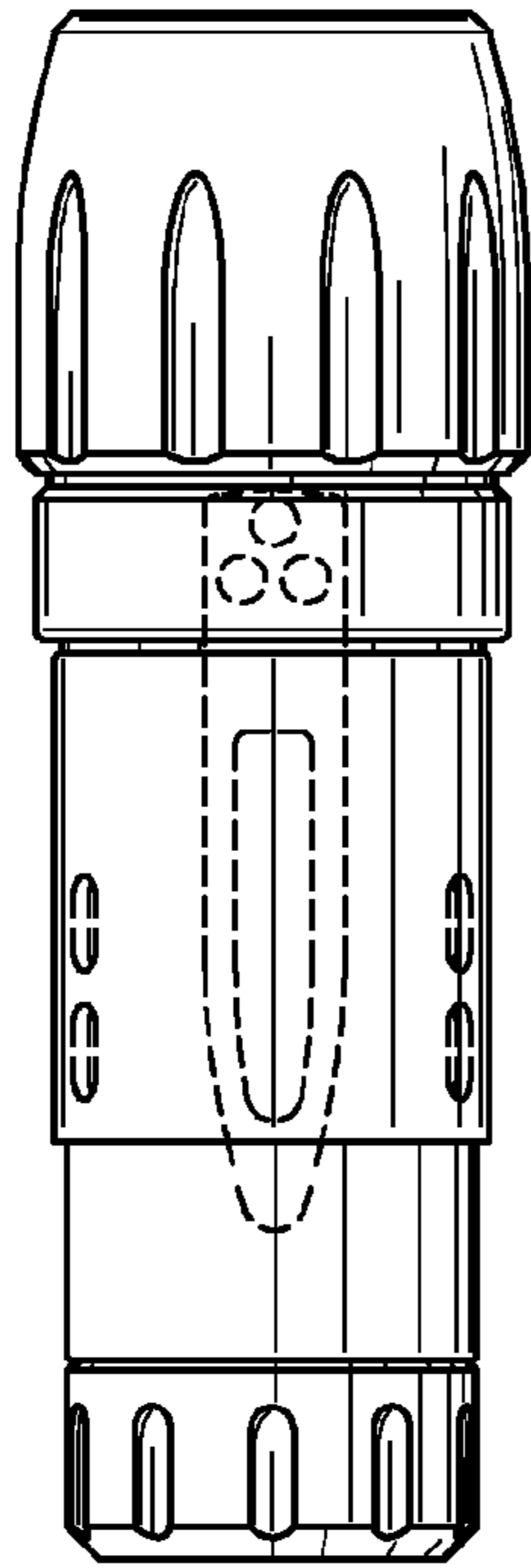


FIG. 17

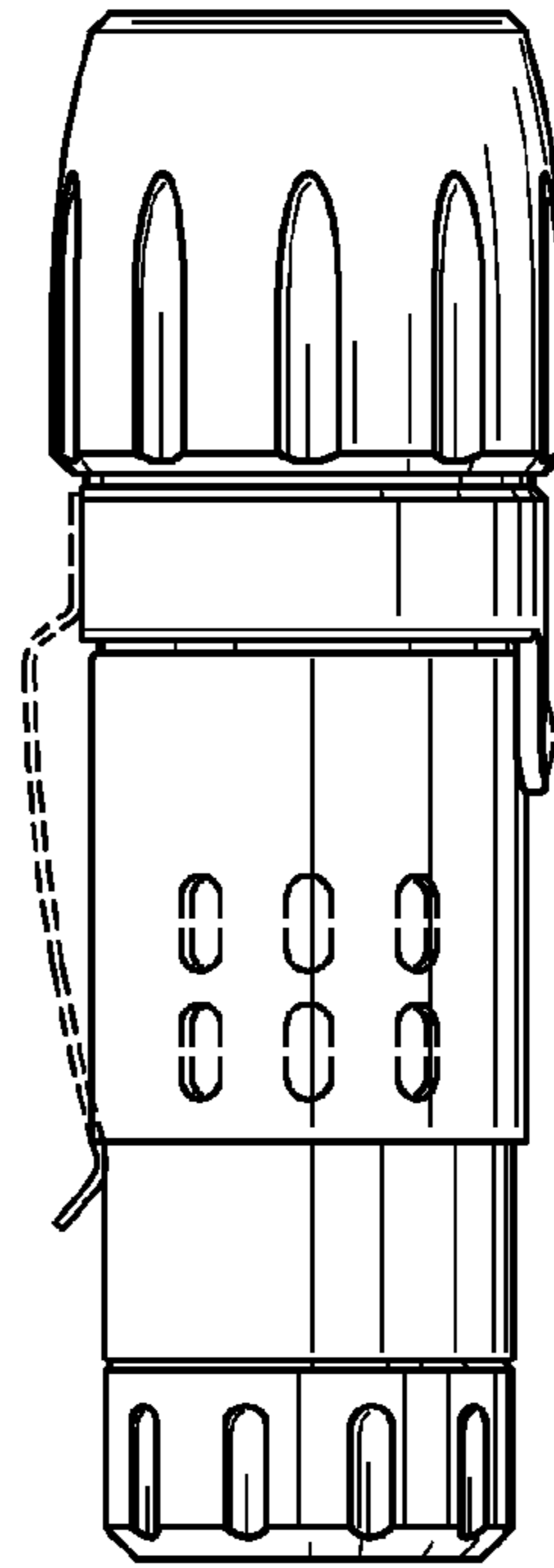


FIG. 18

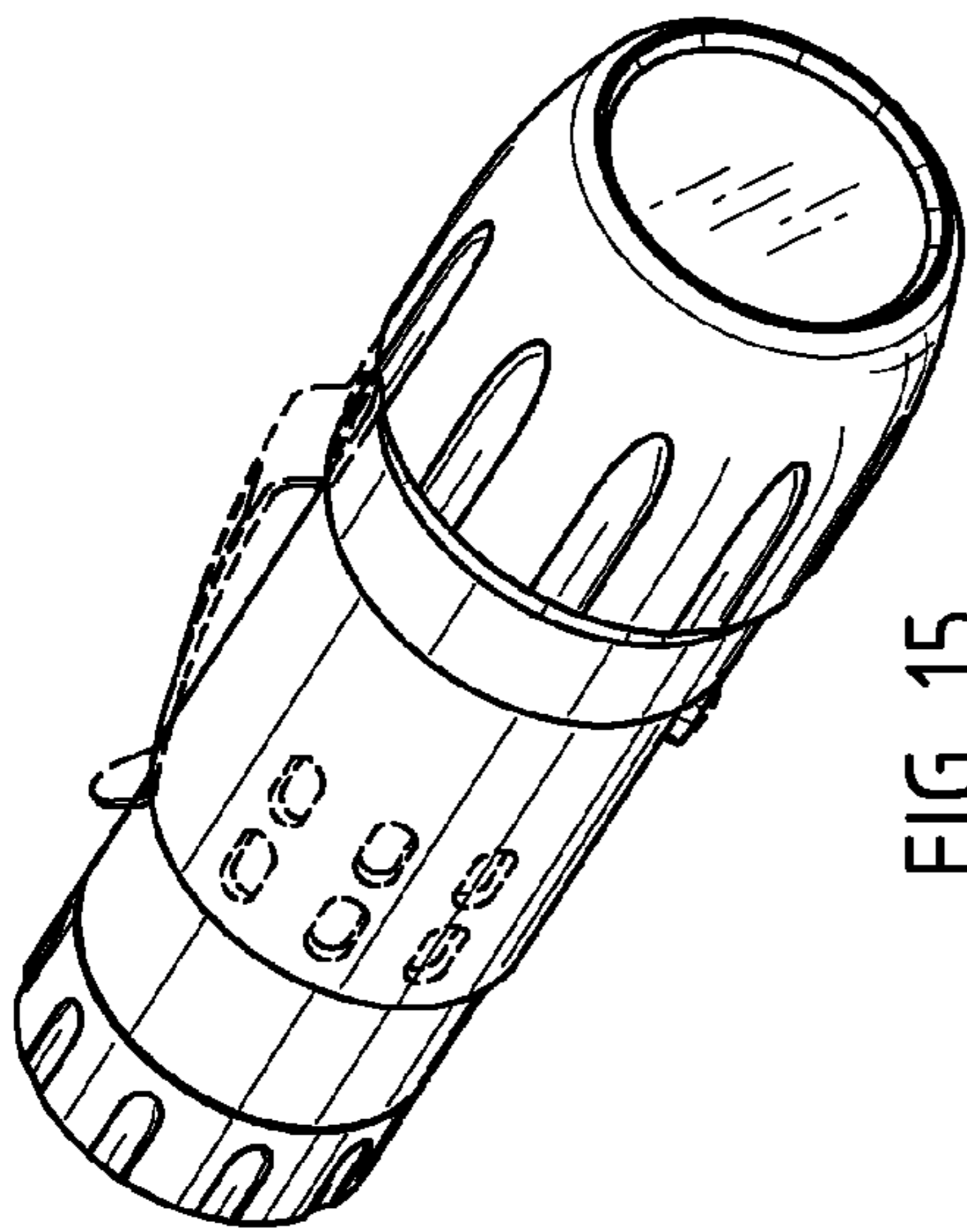


FIG. 15

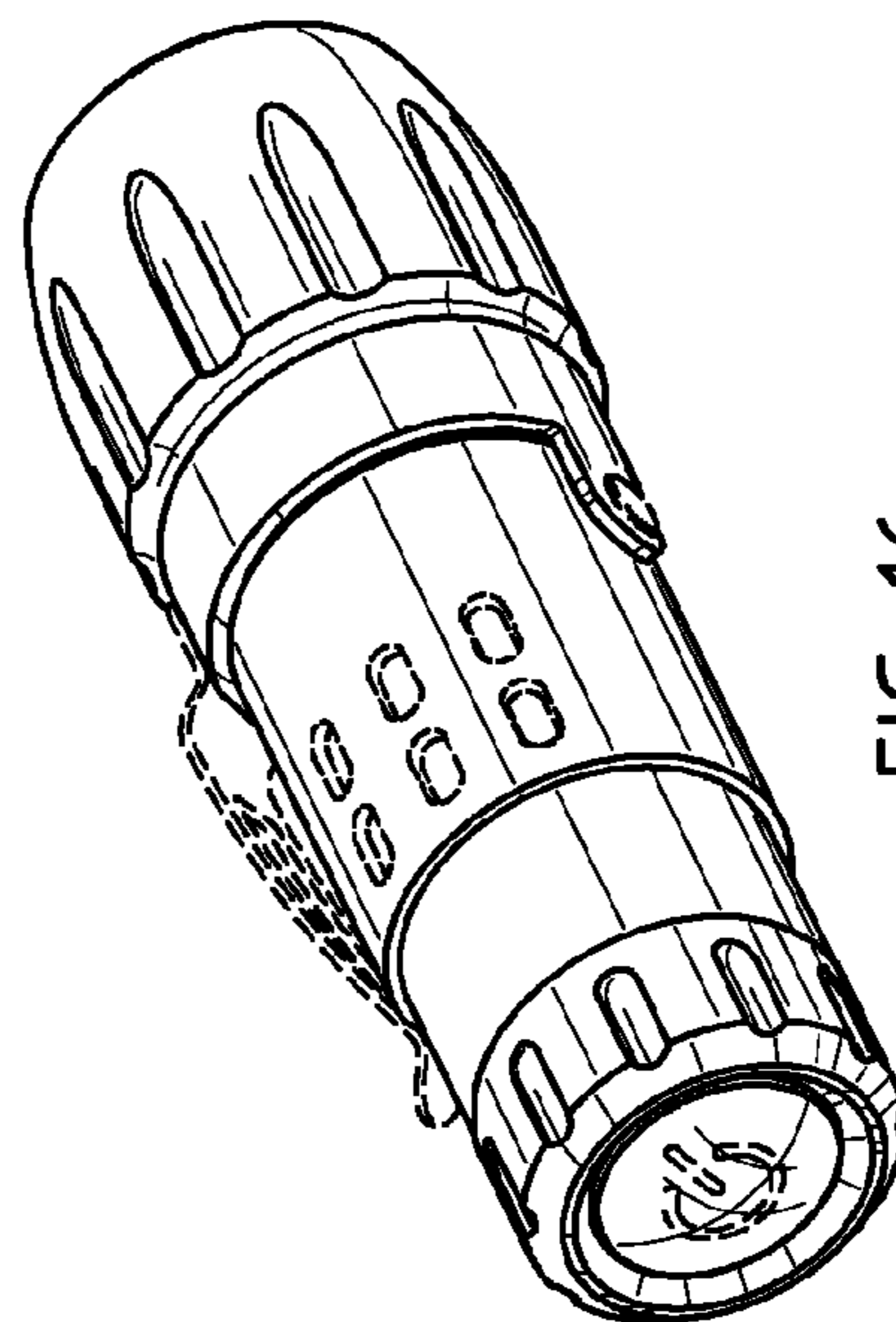


FIG. 16

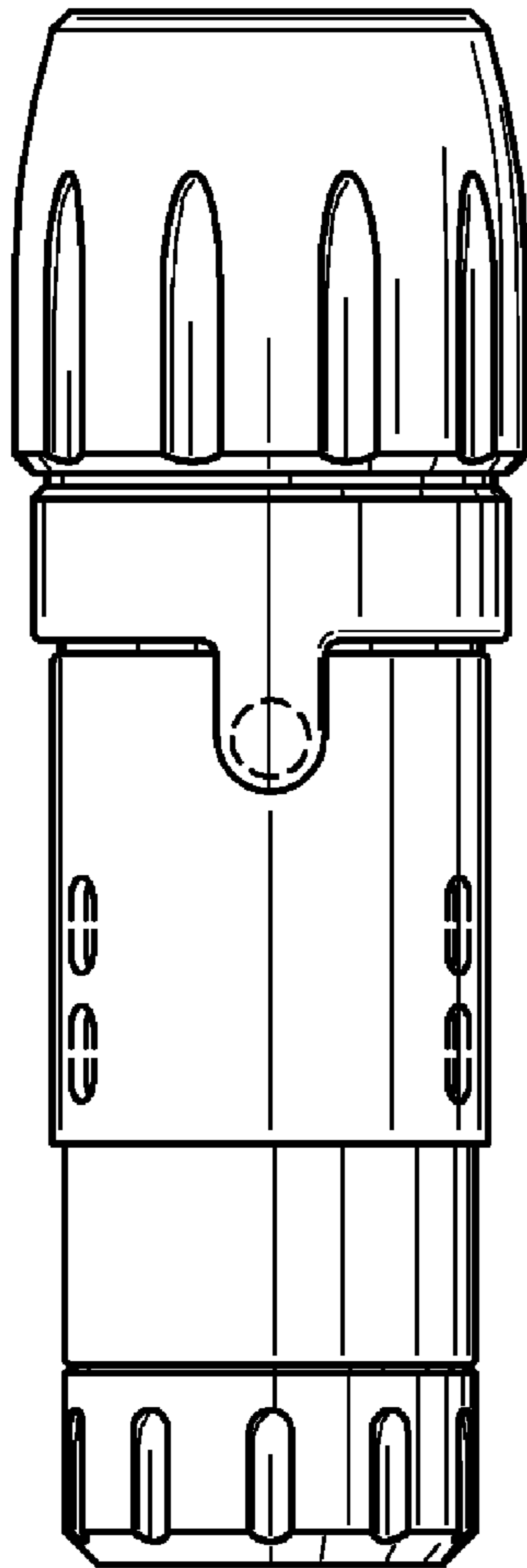


FIG. 19

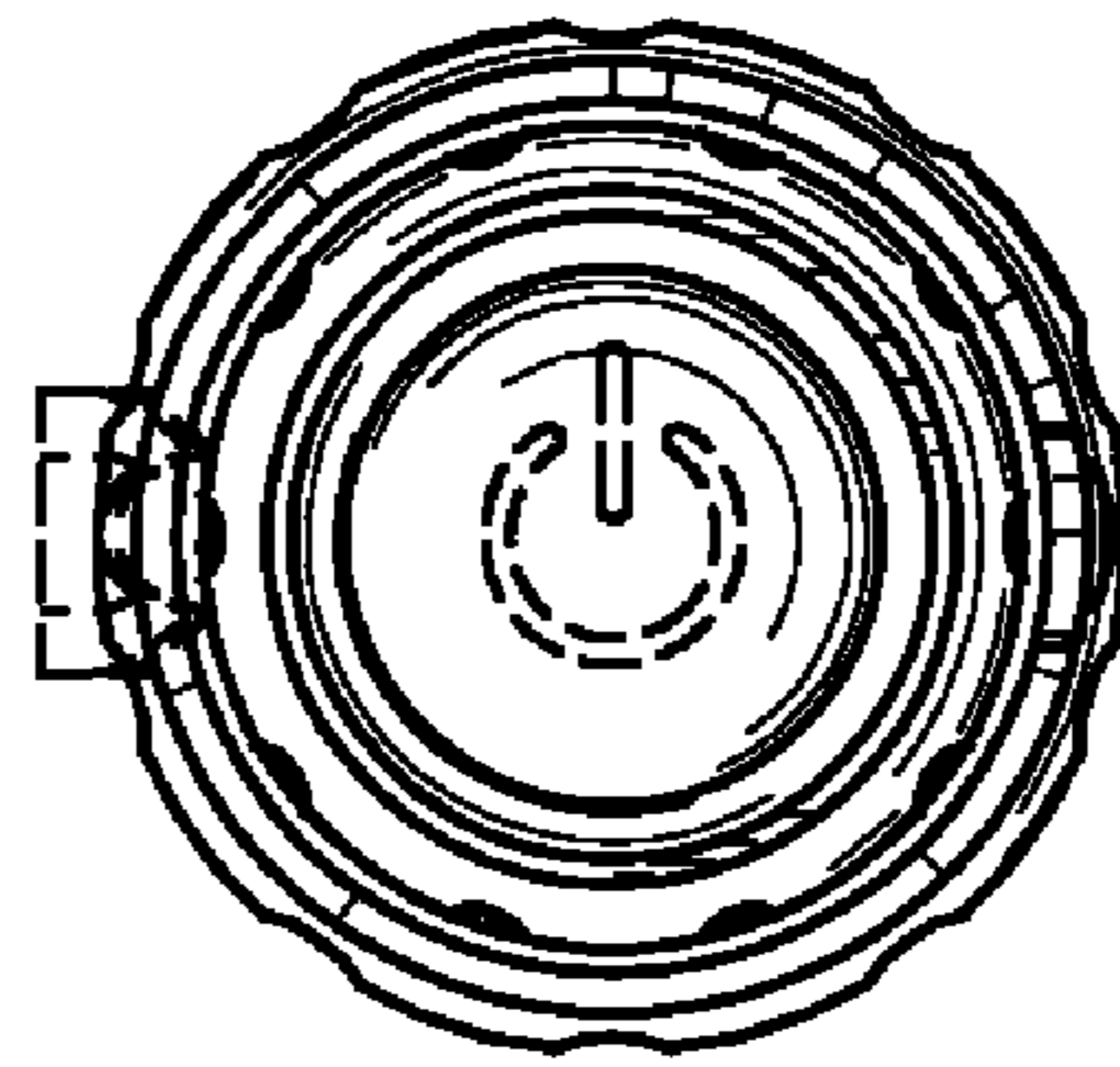


FIG. 21

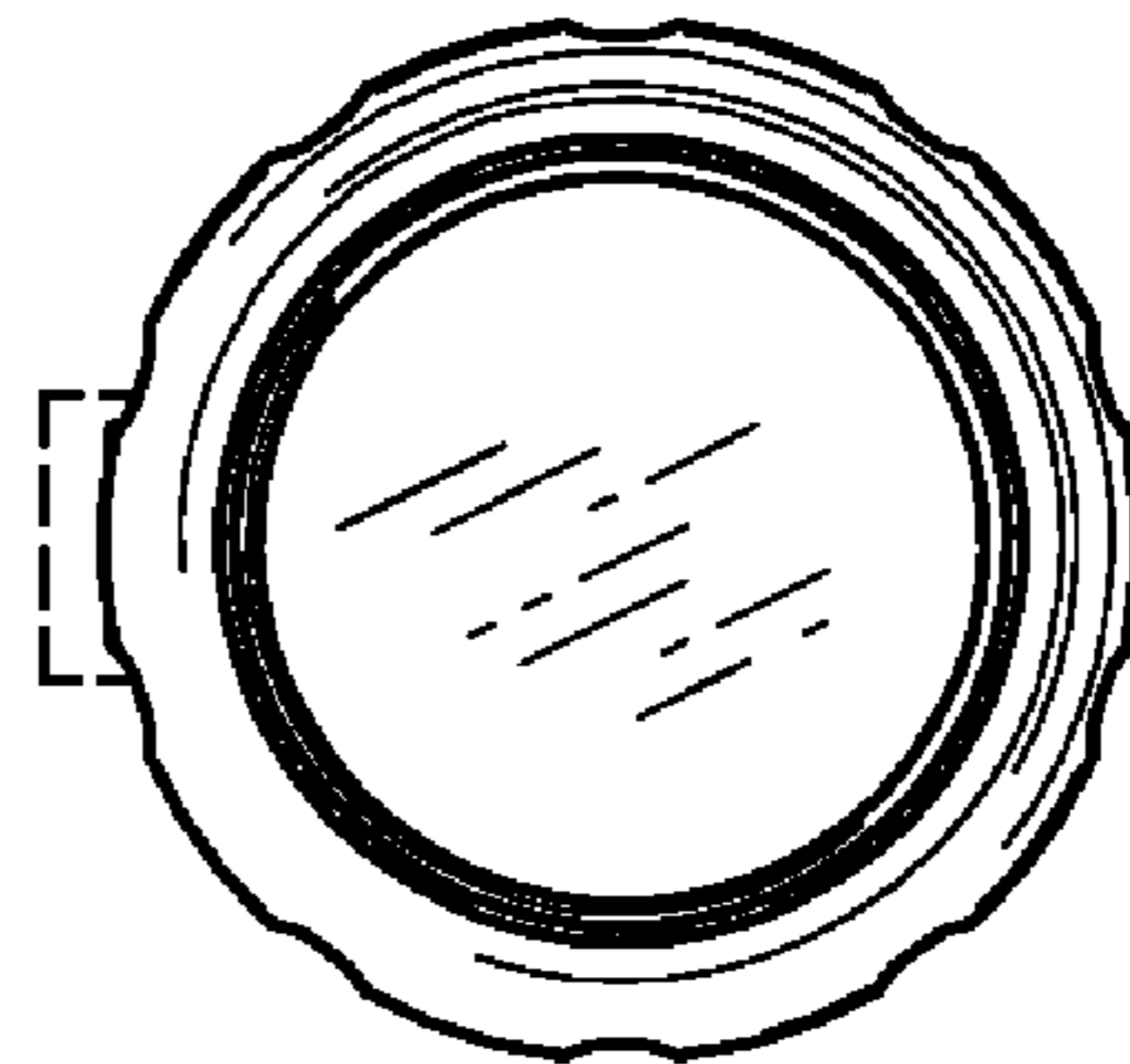


FIG. 20