



US00D560296S

(12) **United States Design Patent**
Lee

(10) **Patent No.:** **US D560,296 S**
(45) **Date of Patent:** **** Jan. 22, 2008**

(54) **FLASHLIGHT**

(76) Inventor: **Wen-Sung Lee**, 8F-2, No. 60-2, 1st
Road, Taichung Industrial Park,
Taichung 407 (TW)

(**) Term: **14 Years**

(21) Appl. No.: **29/280,763**

(22) Filed: **Jun. 6, 2007**

(51) **LOC (8) Cl.** **26-02**

(52) **U.S. Cl.** **D26/37**

(58) **Field of Classification Search** D26/37-50;
362/157, 158, 171-174, 183-208
See application file for complete search history.

(56) **References Cited**

U.S. PATENT DOCUMENTS

D540,968 S *	4/2007	Lee	D26/37
D544,616 S *	6/2007	Chen	D26/37
D544,619 S *	6/2007	Lee	D26/37
D544,975 S *	6/2007	Lee	D26/37
D548,721 S *	8/2007	Lee	D14/188

* cited by examiner

Primary Examiner—Marcus A. Jackson
(74) *Attorney, Agent, or Firm*—Banger Shia

(57) **CLAIM**

I claim the ornamental design for a flashlight, as shown and described.

DESCRIPTION

FIG. 1 is a perspective view of a flashlight, showing my new design;

FIG. 2 is a front elevational view thereof;

FIG. 3 is a rear elevational view thereof;

FIG. 4 is a left side elevational view thereof;

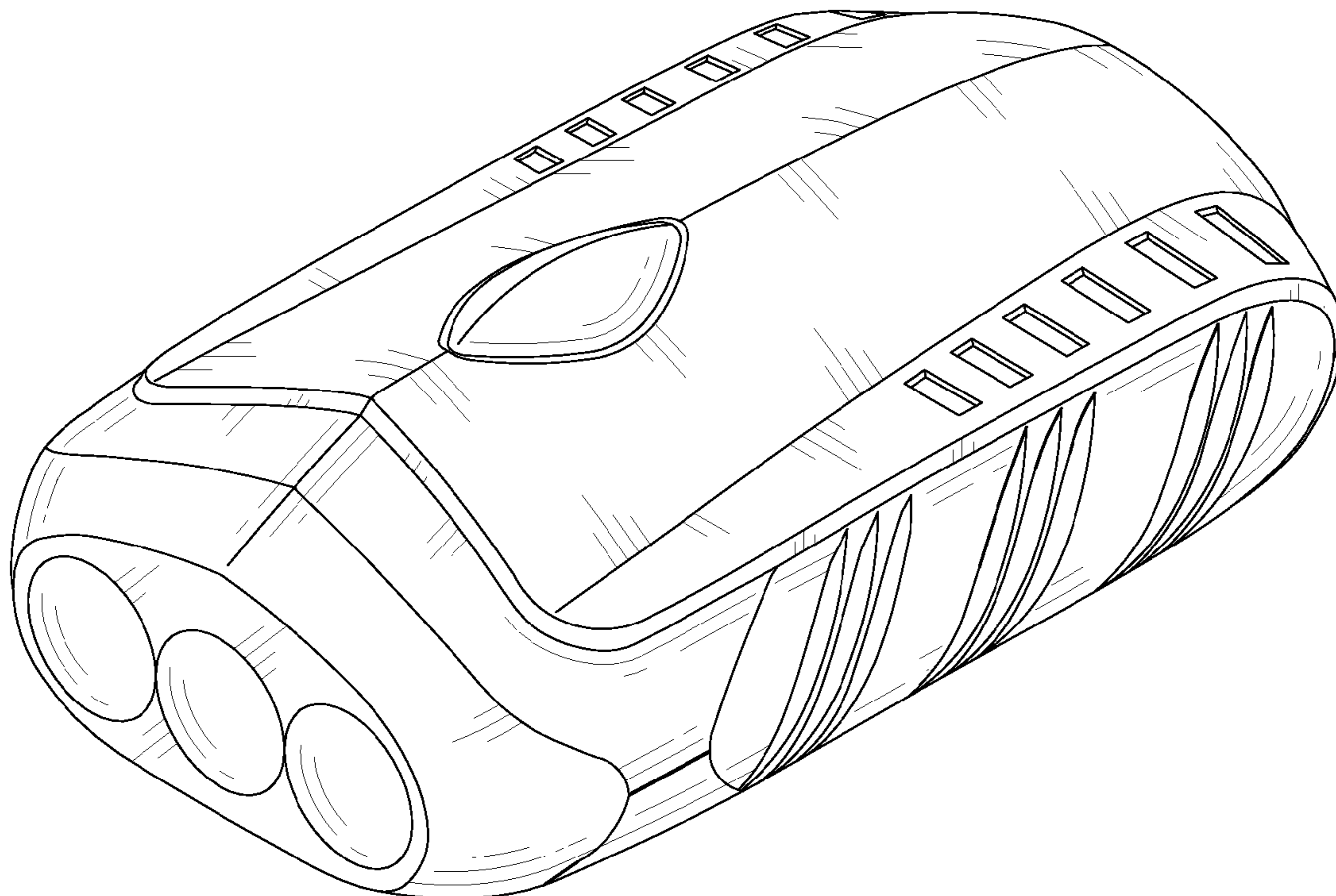
FIG. 5 is a right side elevational view thereof;

FIG. 6 is a top plan view thereof; and

FIG. 7 is a bottom plan view thereof; and,

FIG. 8 is a perspective view showing the claimed design in an open position. The broken line showing of the handle is included for the purpose of illustrating the claimed design and forms no part of the claimed design.

1 Claim, 8 Drawing Sheets



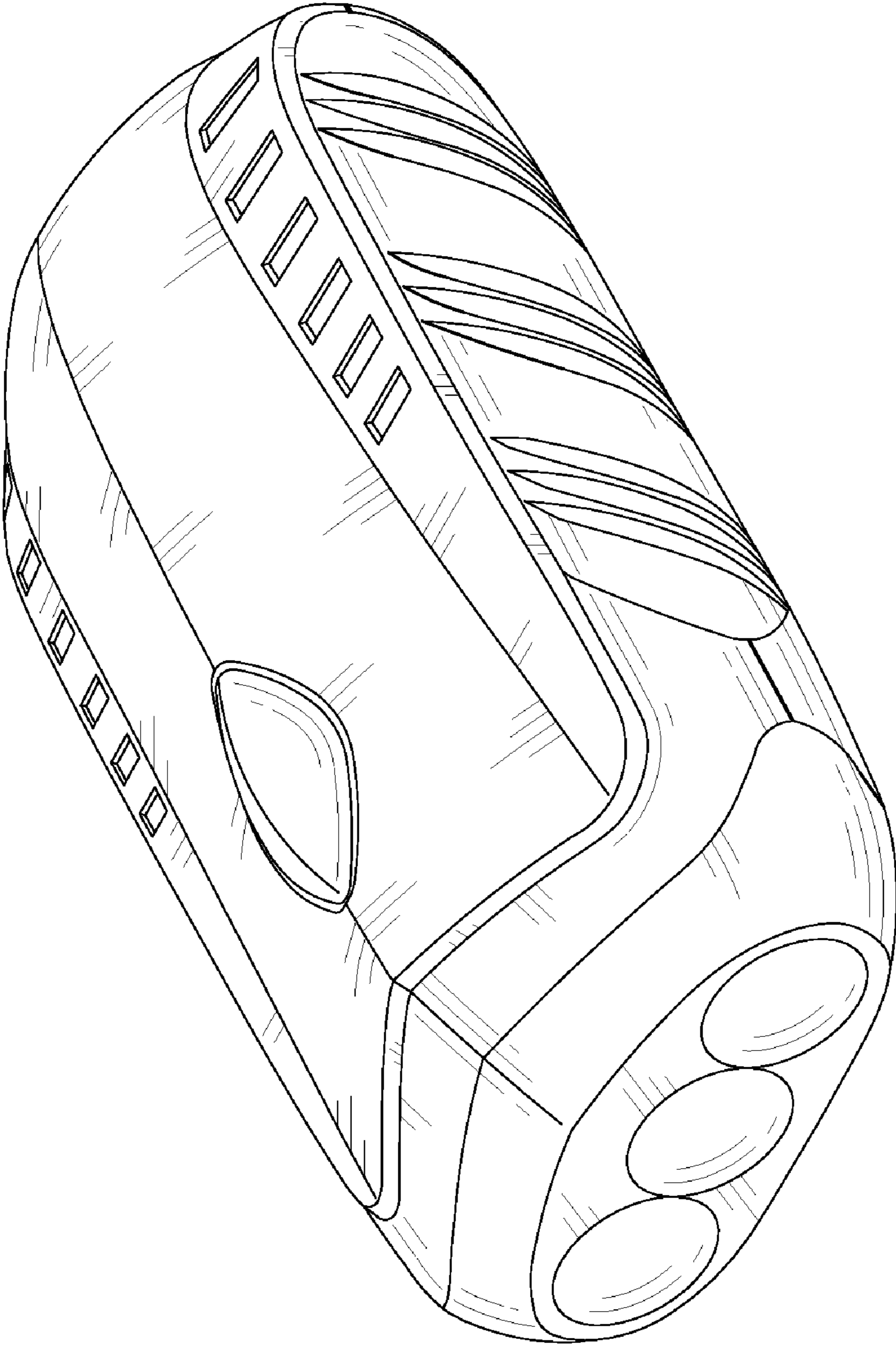


FIG. 1

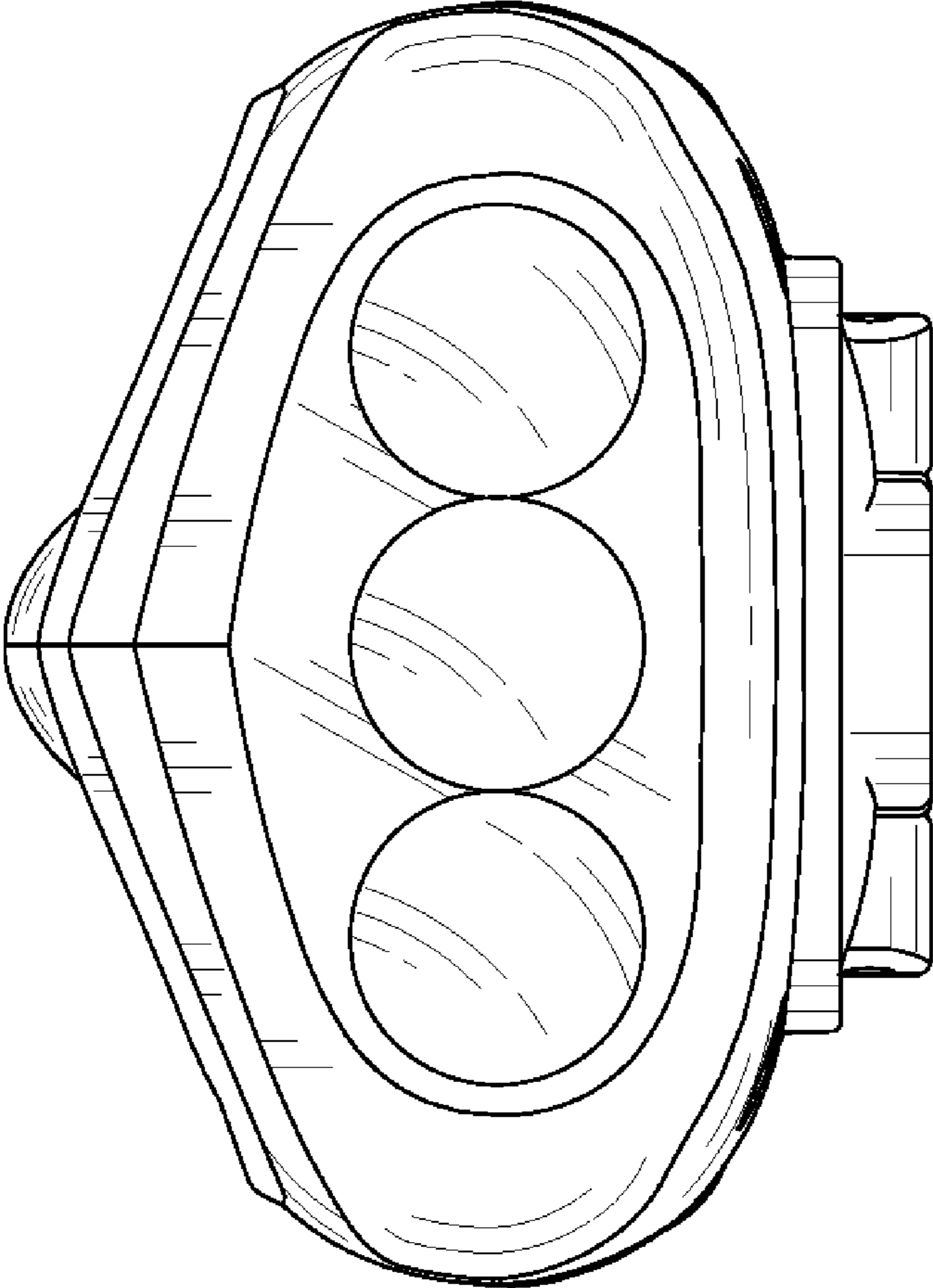


FIG. 2

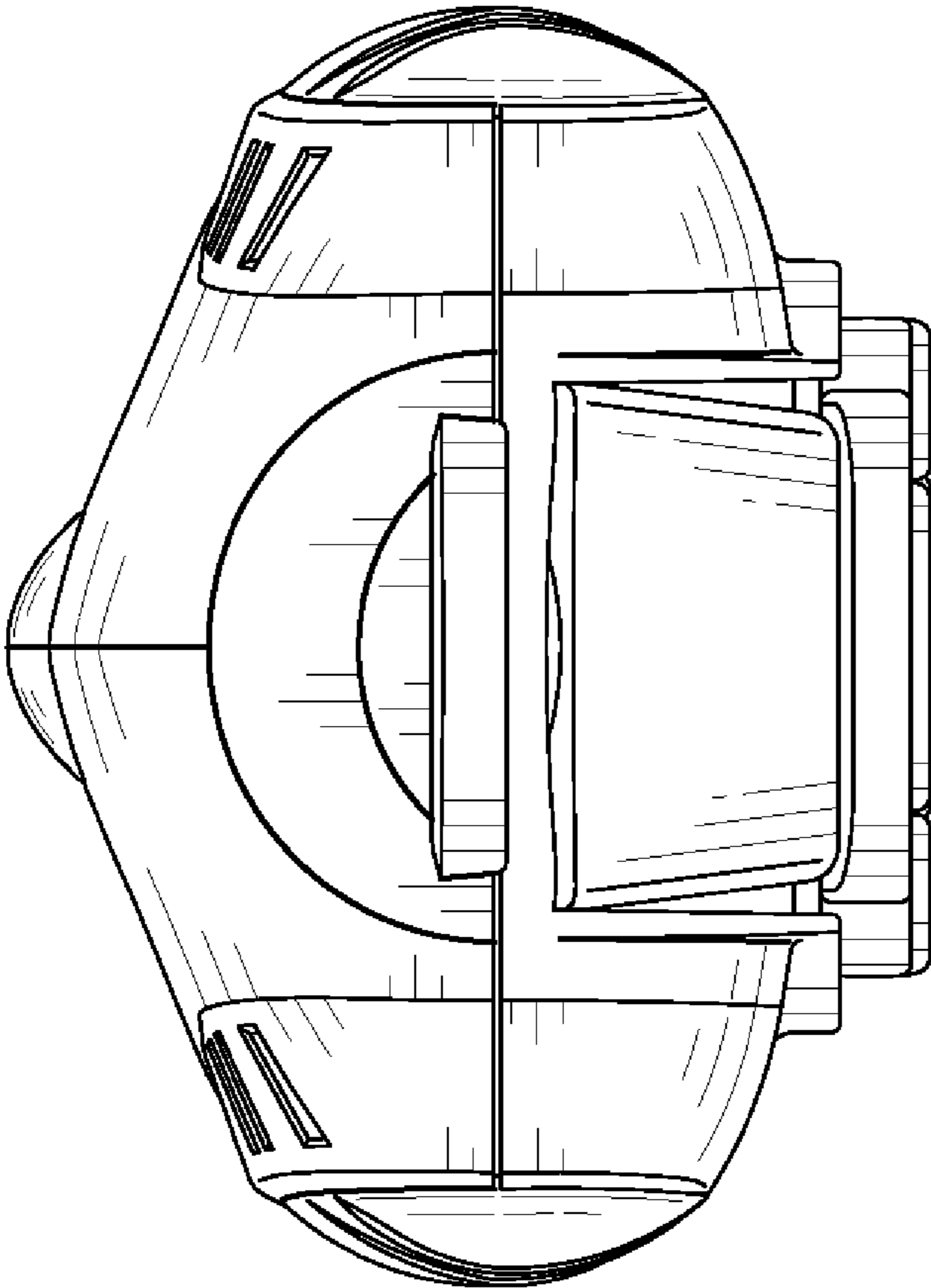


FIG. 3

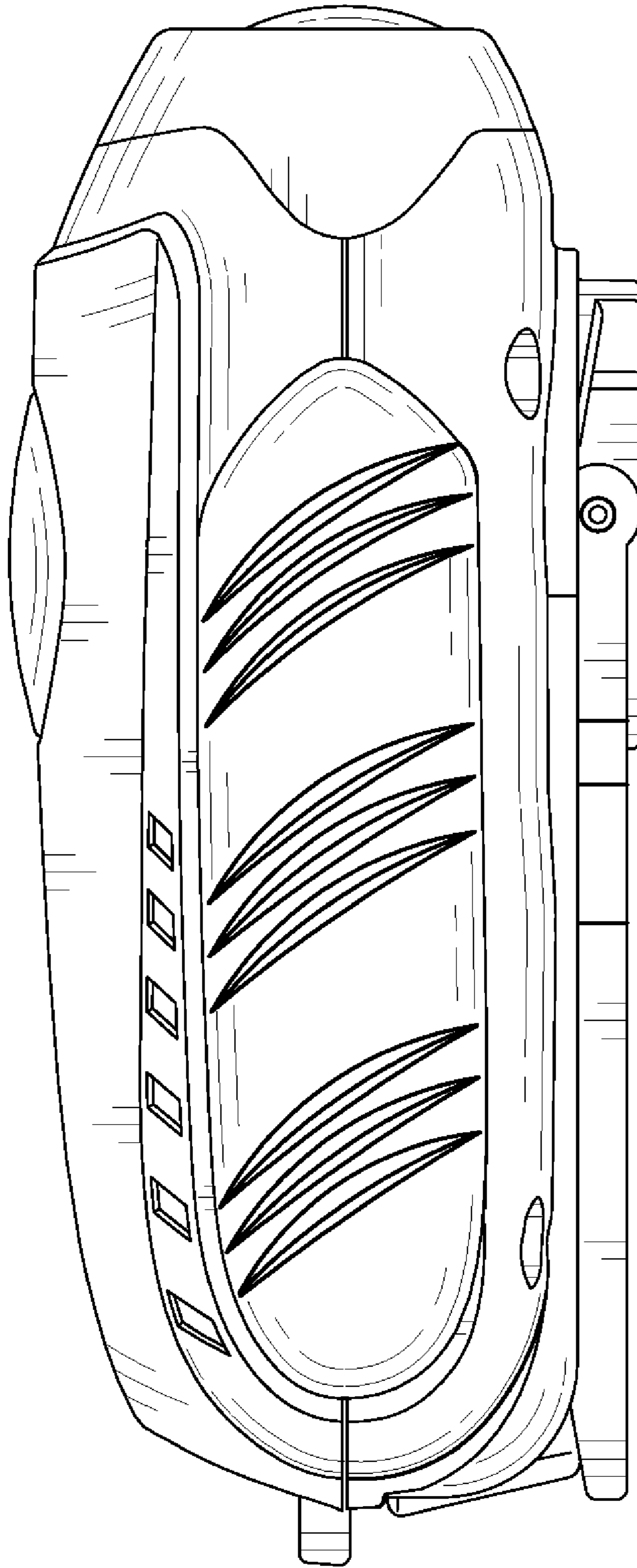


FIG. 4

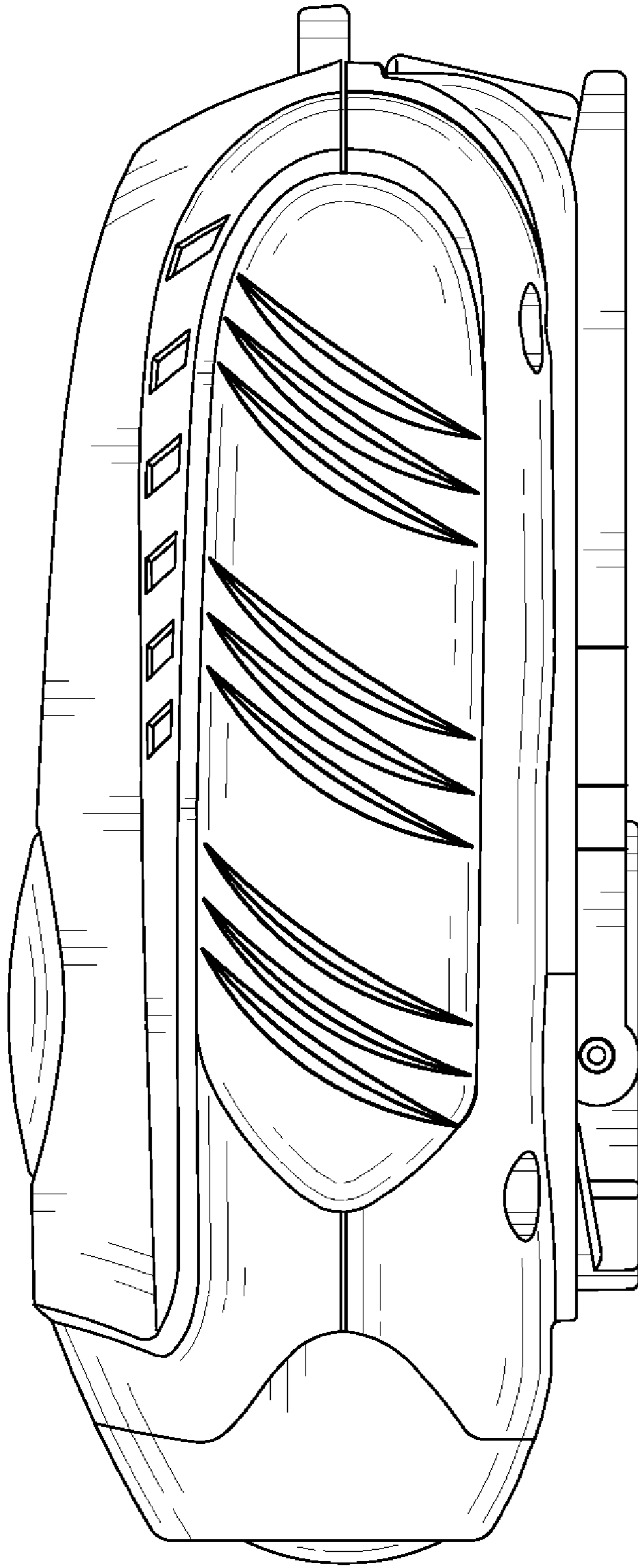


FIG. 5

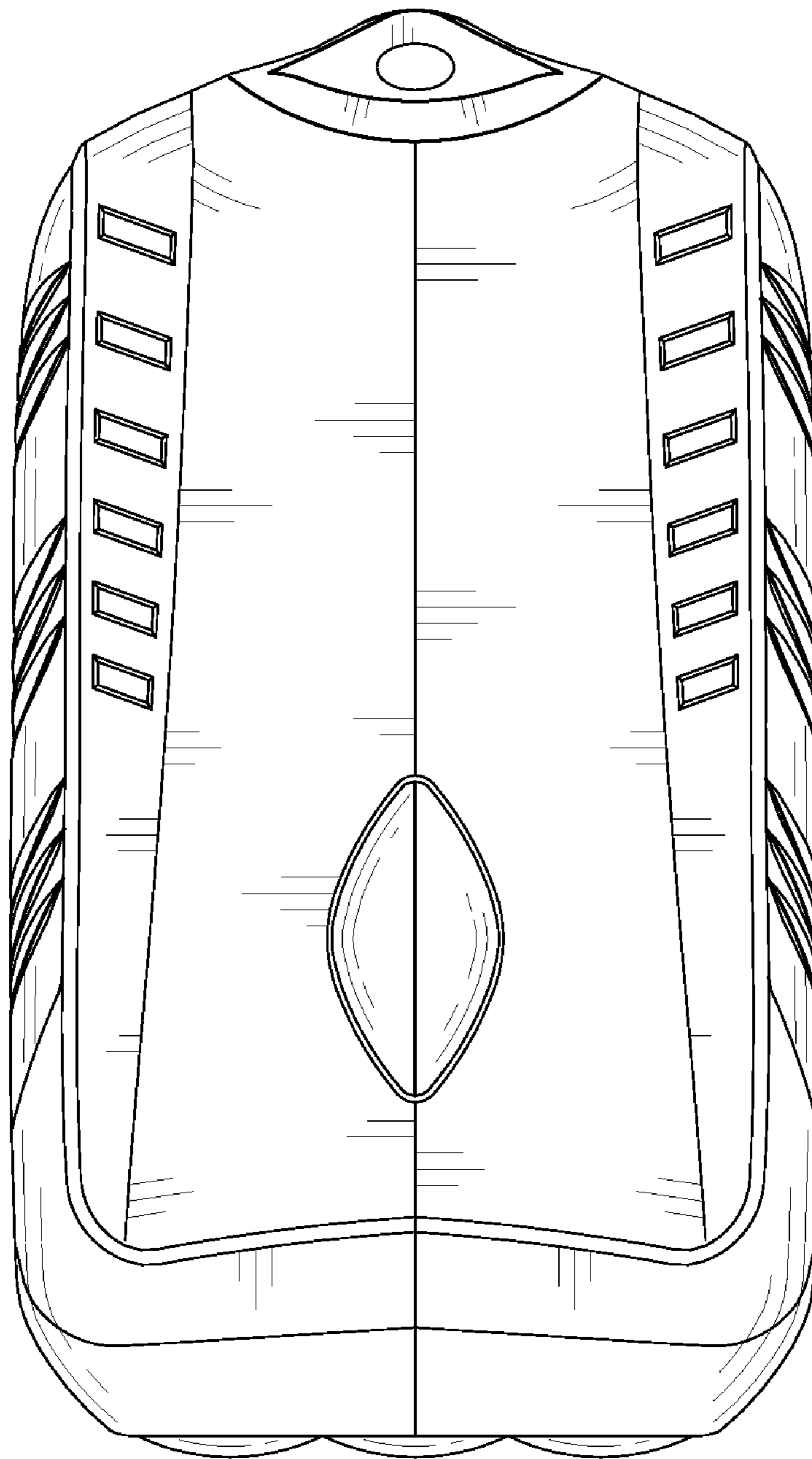


FIG. 6

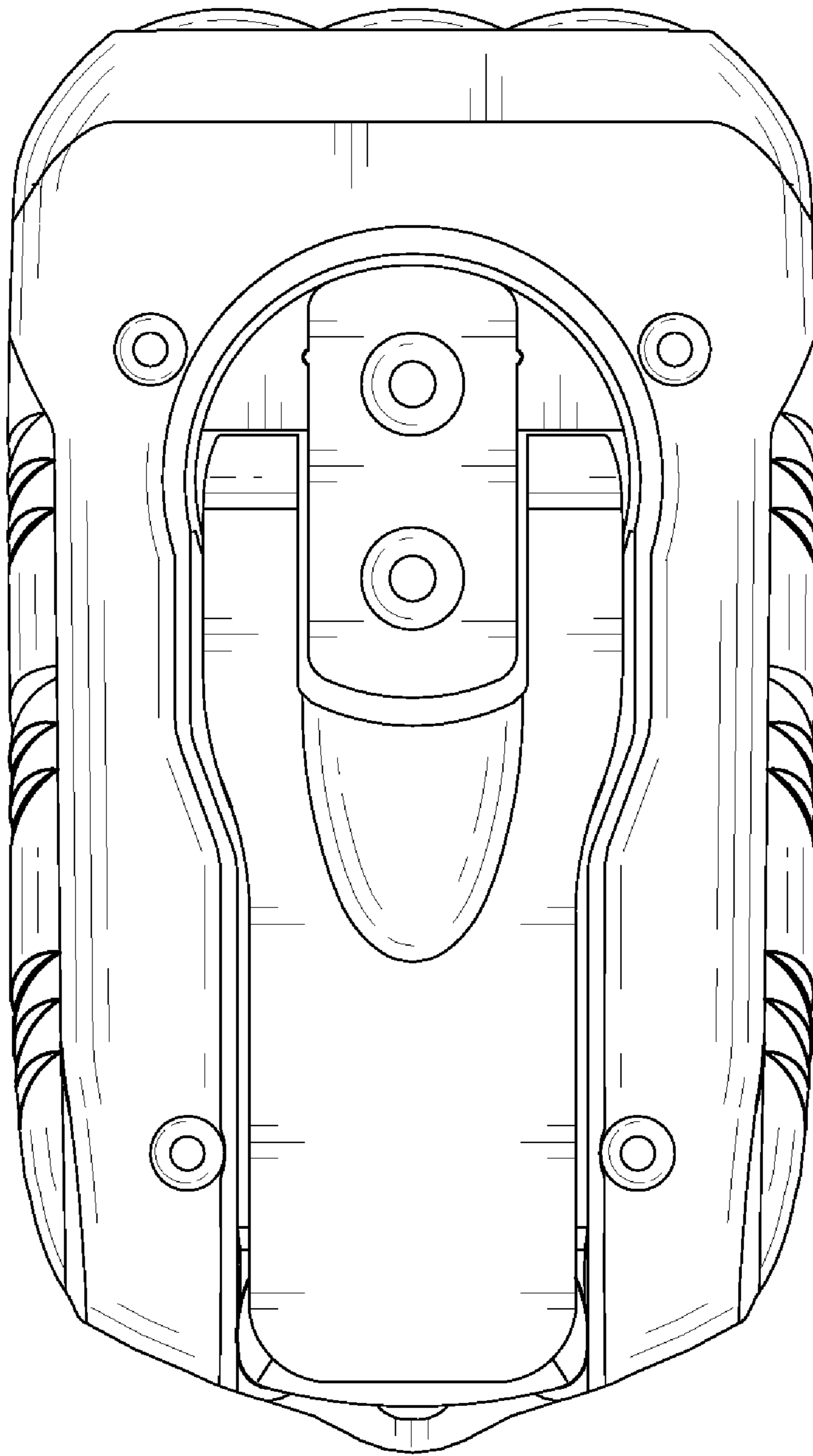


FIG. 7

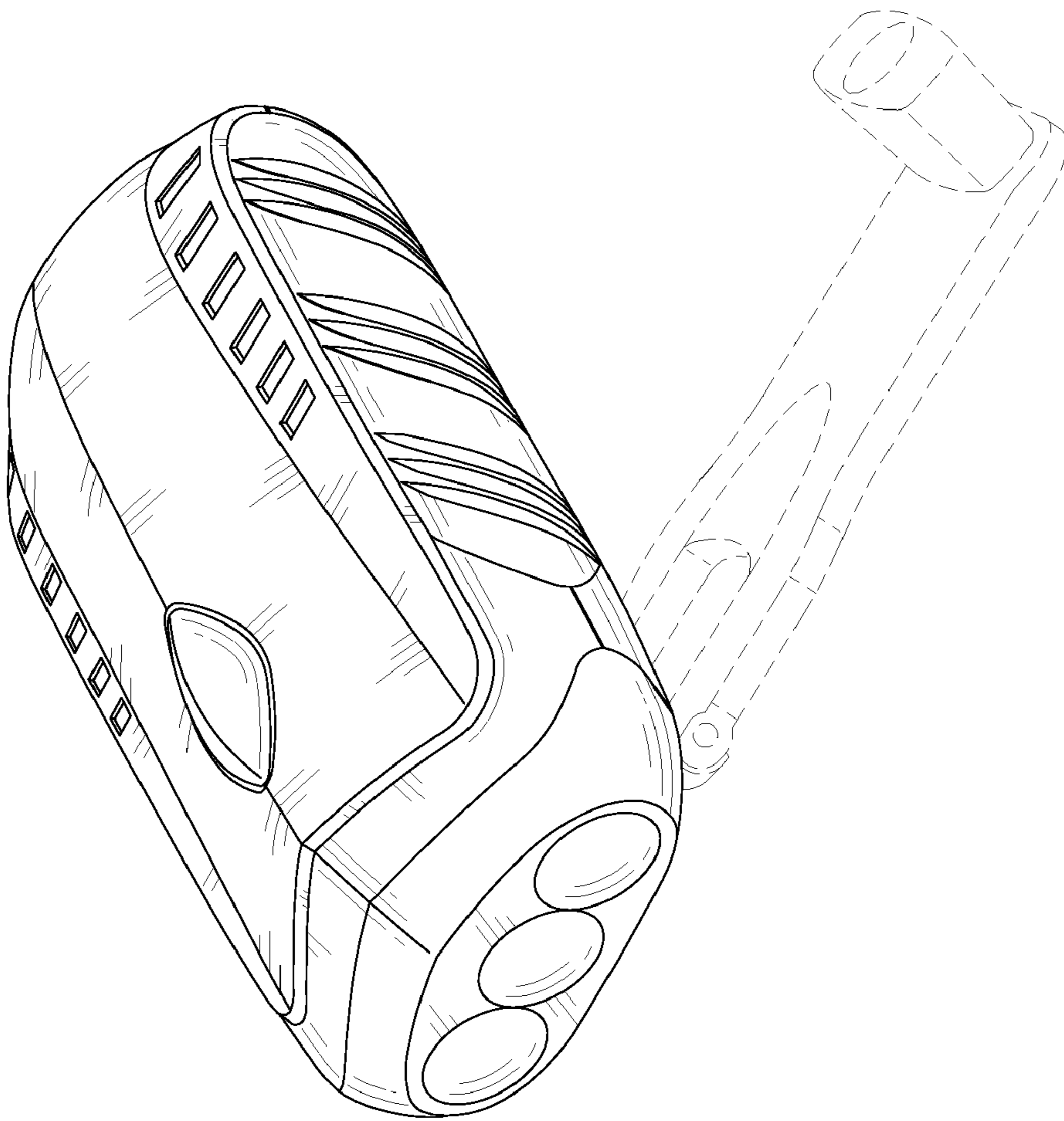


FIG. 8