

US00D560295S

(12) **United States Design Patent**
Parsons et al.

(10) **Patent No.:** **US D560,295 S**

(45) **Date of Patent:** **** Jan. 22, 2008**

(54) **SOFT TOUCH FLASHLIGHT TAIL**

D500,566 S * 1/2005 Hu D26/37
D527,476 S * 8/2006 Craft D26/37
D544,621 S * 6/2007 Kim D26/37

(75) Inventors: **Kevin L. Parsons**, Appleton, WI (US);
Dennis Keenan, Traverse City, MI (US)

* cited by examiner

(73) Assignee: **Armament Systems and Procedures, Inc.**, Appleton, WI (US)

Primary Examiner—Marcus A. Jackson
(74) *Attorney, Agent, or Firm*—Welsh & Katz, Ltd.

(**) Term: **14 Years**

(57) **CLAIM**

(21) Appl. No.: **29/276,846**

The ornamental design for a soft touch flashlight tail, as shown and described.

(22) Filed: **Feb. 7, 2007**

(51) **LOC (8) Cl.** **26-02**

(52) **U.S. Cl.** **D26/37**

(58) **Field of Classification Search** D26/37-50;
362/157, 158, 171-174, 183-208
See application file for complete search history.

DESCRIPTION

FIG. 1 is a perspective view of the soft touch flashlight tail design;

FIG. 2 is a front elevational view thereof;

FIG. 3 is a rear elevational view thereof; and,

FIG. 4 is a left side elevational view thereof, the right side, top and bottom views being substantially identical thereto.

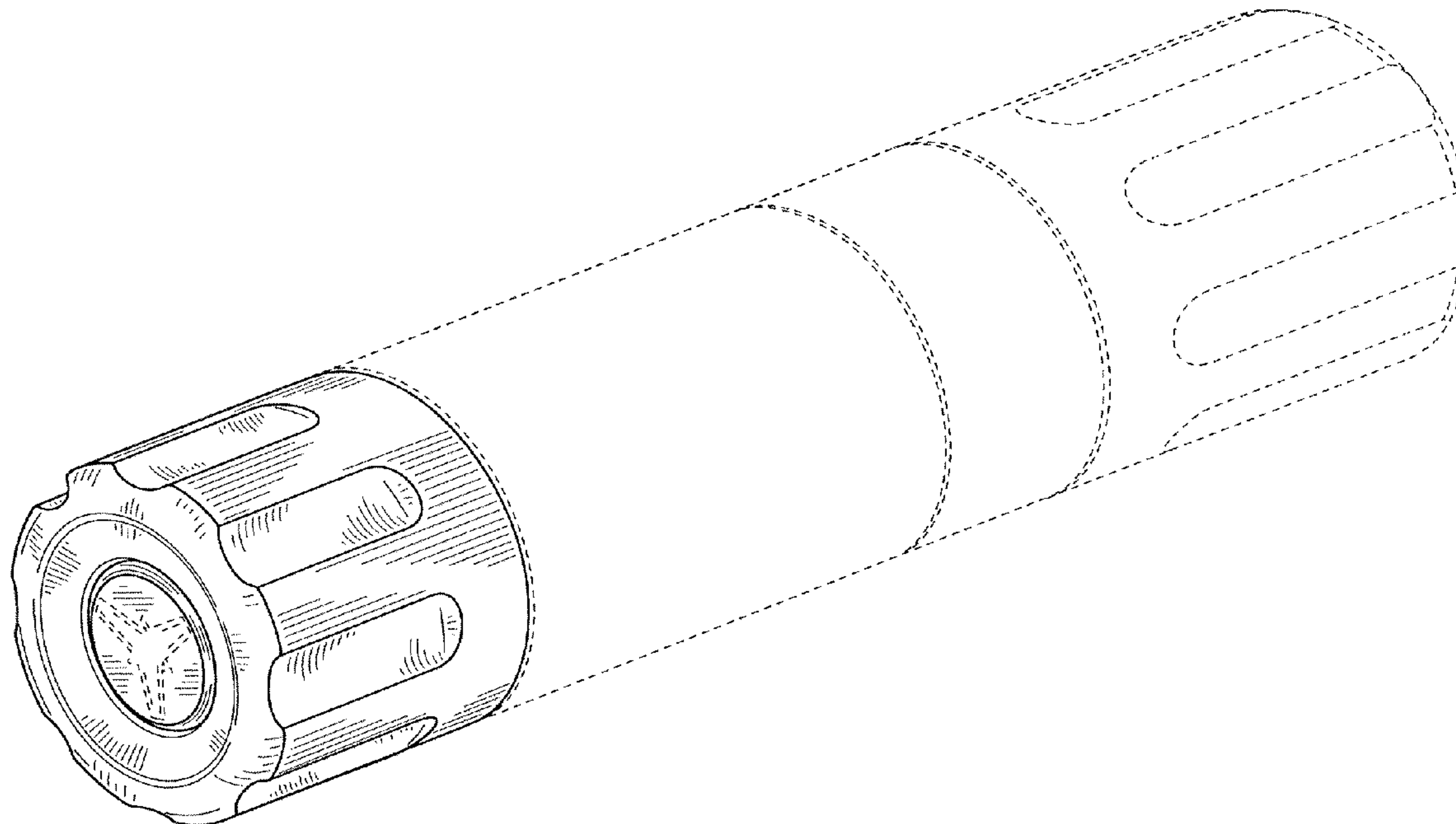
The phantom line showing of environment is for illustrative purposes only.

(56) **References Cited**

U.S. PATENT DOCUMENTS

D351,672 S * 10/1994 Tsay D26/37
D392,402 S * 3/1998 Chen D26/37
D421,657 S * 3/2000 Siebert D26/37
D455,510 S * 4/2002 Galli D26/37

1 Claim, 2 Drawing Sheets



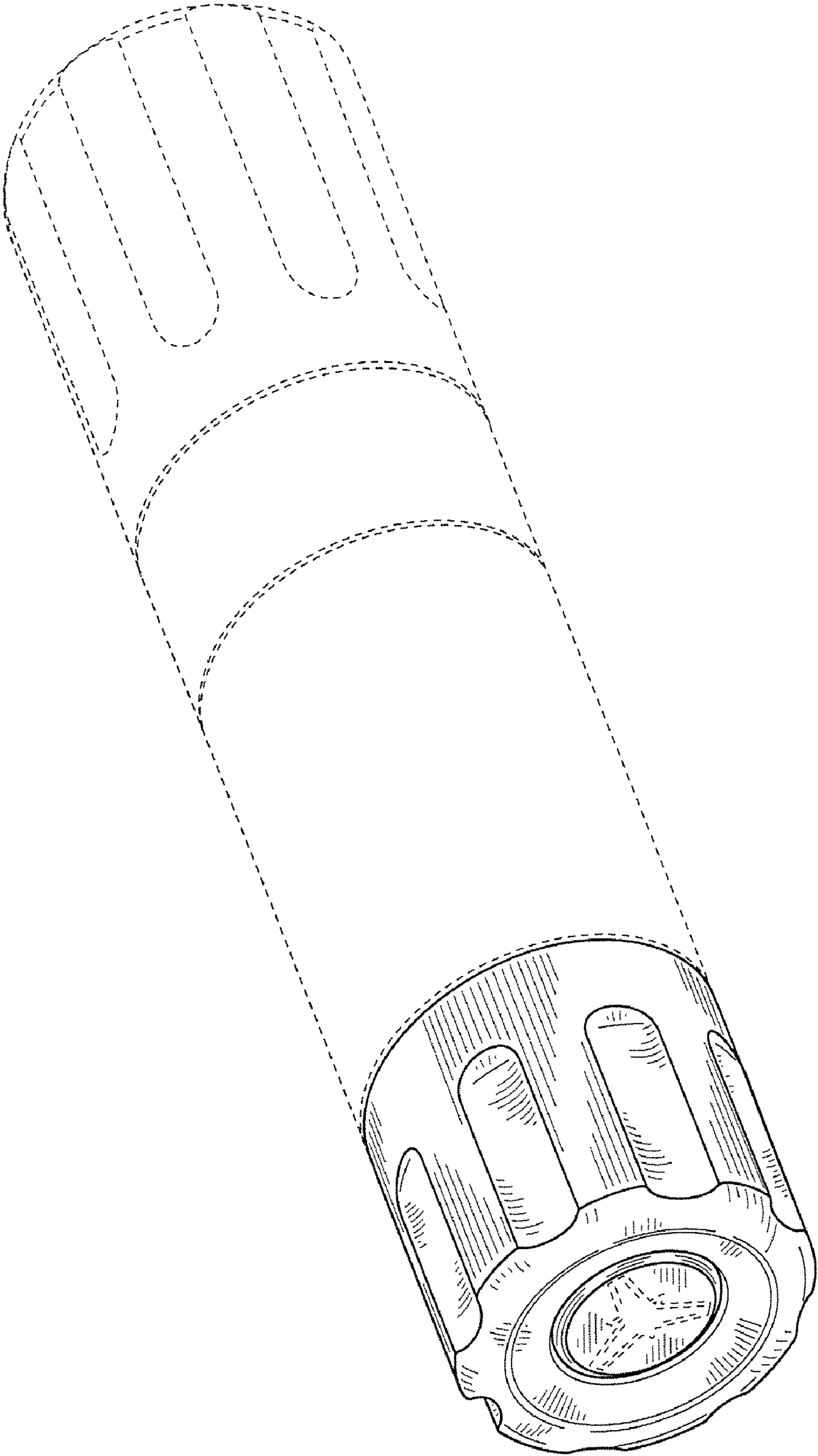


FIG. 1

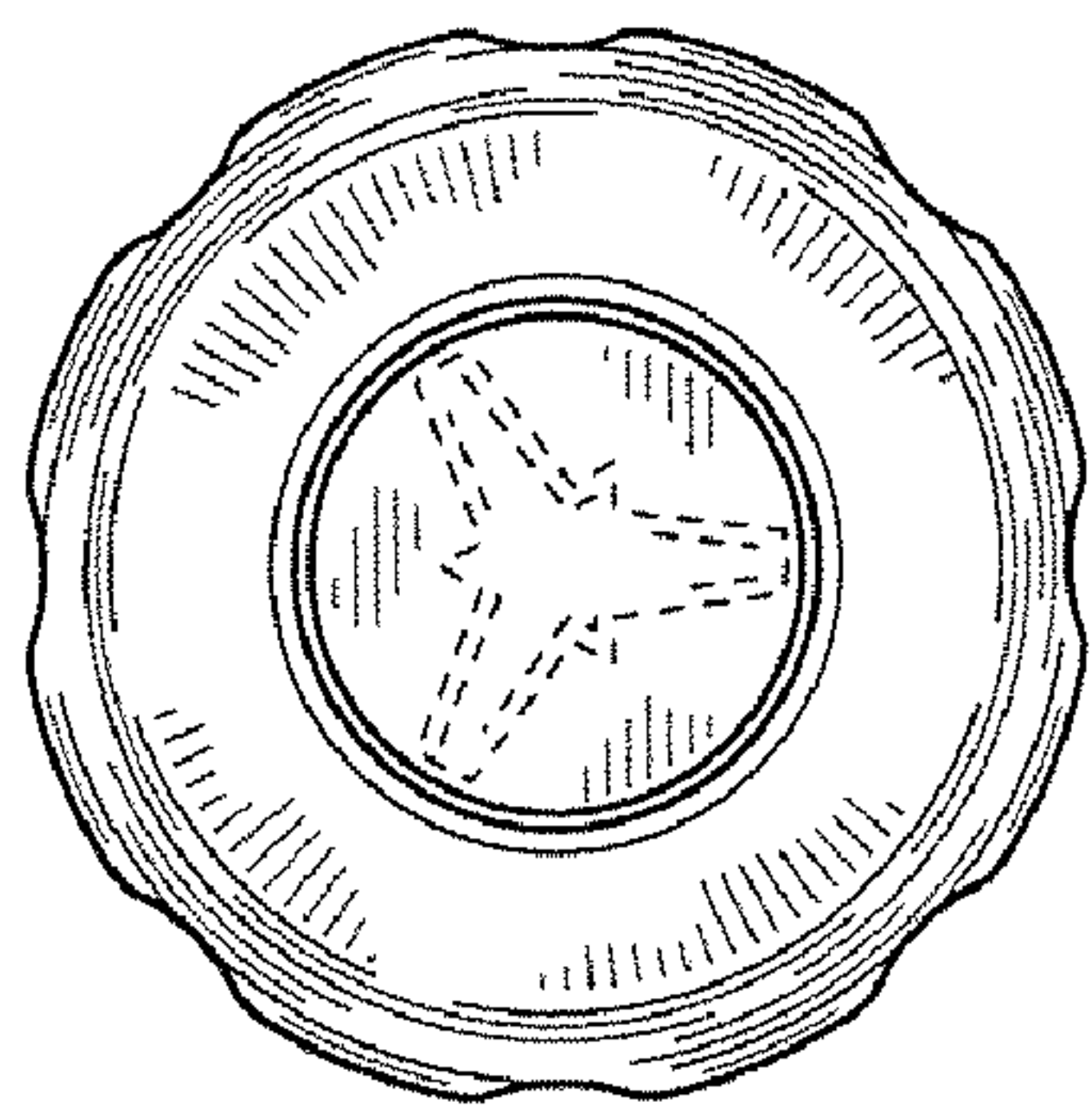


FIG. 2

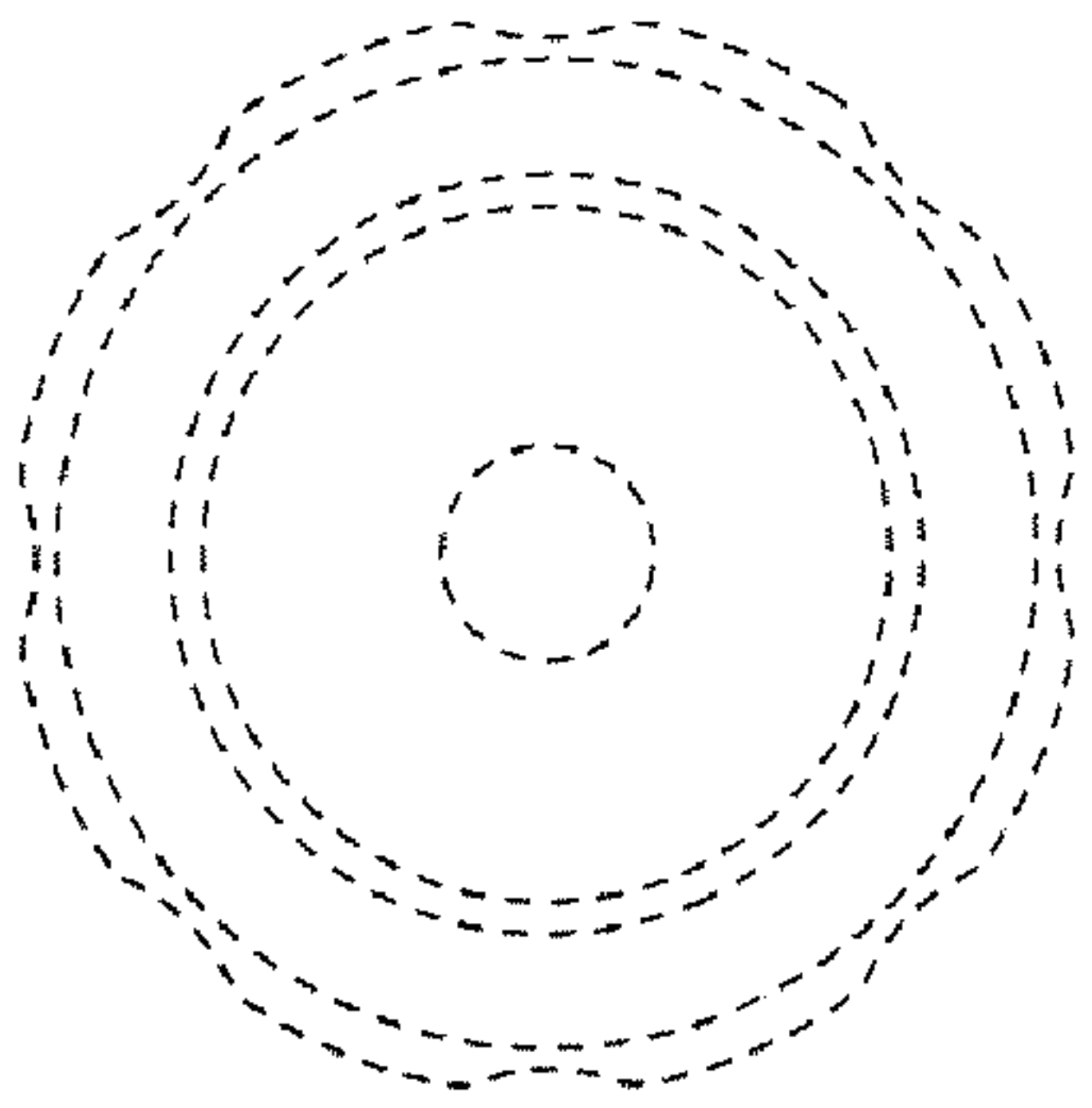


FIG. 3

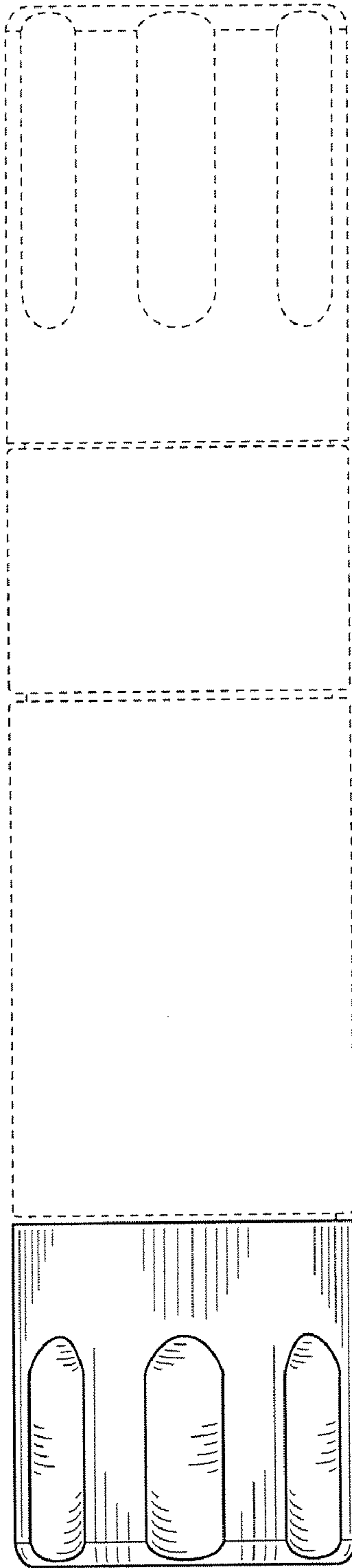


FIG. 4