

US00D560293S

(12) **United States Design Patent**
Uemoto et al.

(10) **Patent No.:** **US D560,293 S**
(45) **Date of Patent:** **** Jan. 22, 2008**

(54) **LIGHTING UNIT**

D540,969 S * 4/2007 Ueda et al. D26/37
D542,449 S * 5/2007 Racoosin et al. D26/51

(75) Inventors: **Takaari Uemoto**, Kadoma (JP); **Keiji Nishimoto**, Kadoma (JP); **Yasuharu Ueno**, Kadoma (JP); **Satoshi Shida**, Kadoma (JP); **Yuji Omata**, Kadoma (JP)

FOREIGN PATENT DOCUMENTS

JP 2003-124528 4/2003

* cited by examiner

Primary Examiner—Marcus A. Jackson

(73) Assignee: **Matsushita Electric Industrial Co., Ltd.**, Osaka (JP)

(74) *Attorney, Agent, or Firm*—Brinks Hofer Gilson & Lione

(**) Term: **14 Years**

(57) **CLAIM**

(21) Appl. No.: **29/270,342**

We claim the ornamental design for a lighting unit, as shown and described.

(22) Filed: **Dec. 19, 2006**

(30) **Foreign Application Priority Data**

DESCRIPTION

Jun. 20, 2006 (JP) 2006-015925

FIG. 1 is a top perspective view of a lighting unit of the present invention;

(51) **LOC (8) Cl.** **26-02**

FIG. 2 is a front view thereof, the rear view being a mirror image thereof;

(52) **U.S. Cl.** **D26/37**

(58) **Field of Classification Search** D26/37-50;
362/157, 158, 171-174, 183-208
See application file for complete search history.

FIG. 3 is a left side view thereof, the right side view being a mirror image thereof;

FIG. 4 is a top view thereof; and,

FIG. 5 is a bottom view thereof.

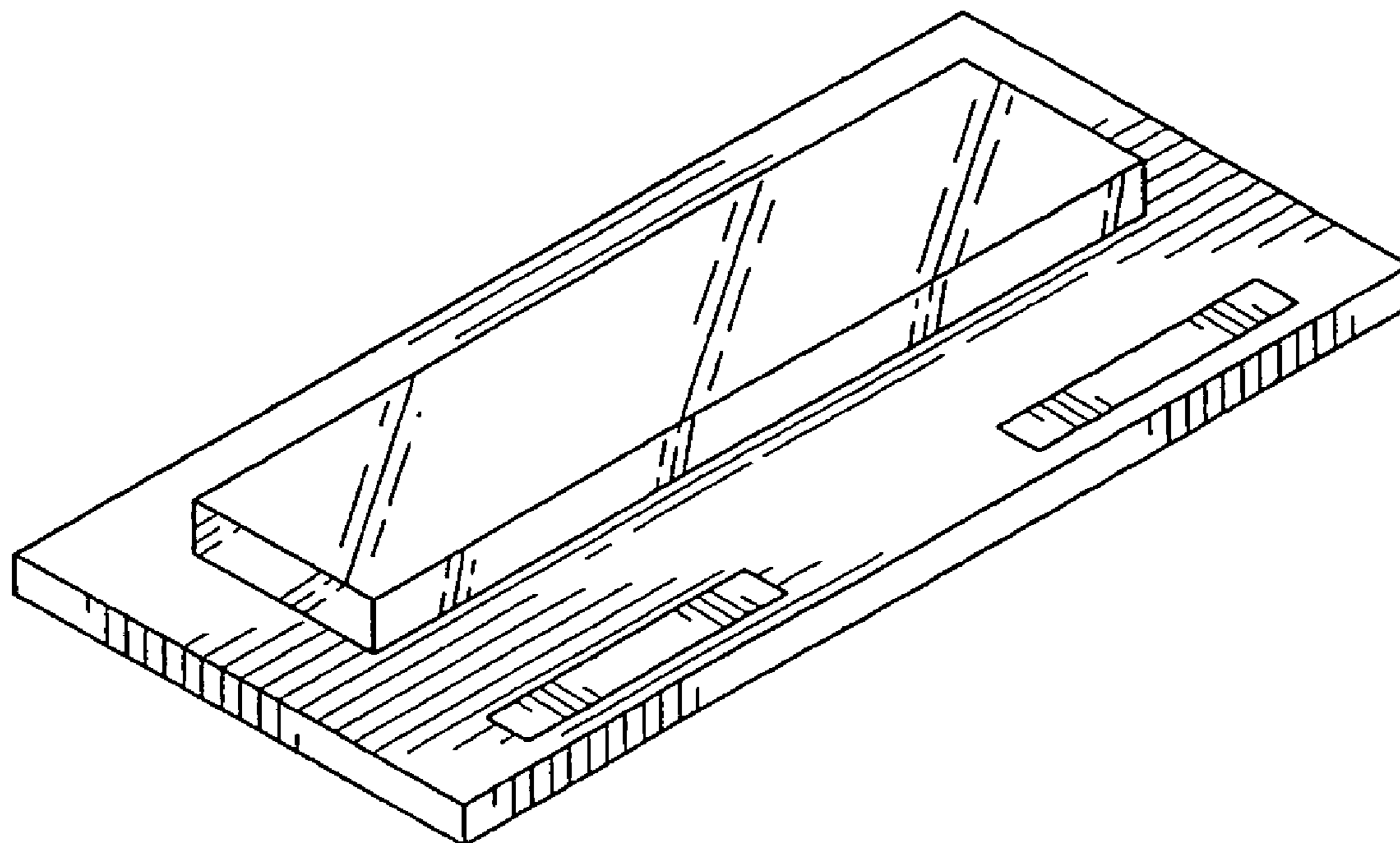
(56) **References Cited**

An elongated elevation on a substrate is transparent and thus light comes through. The two rectangles are electrodes.

U.S. PATENT DOCUMENTS

D528,672 S * 9/2006 Nagai et al. D26/1
D539,945 S * 4/2007 Egawa et al. D26/24

1 Claim, 3 Drawing Sheets



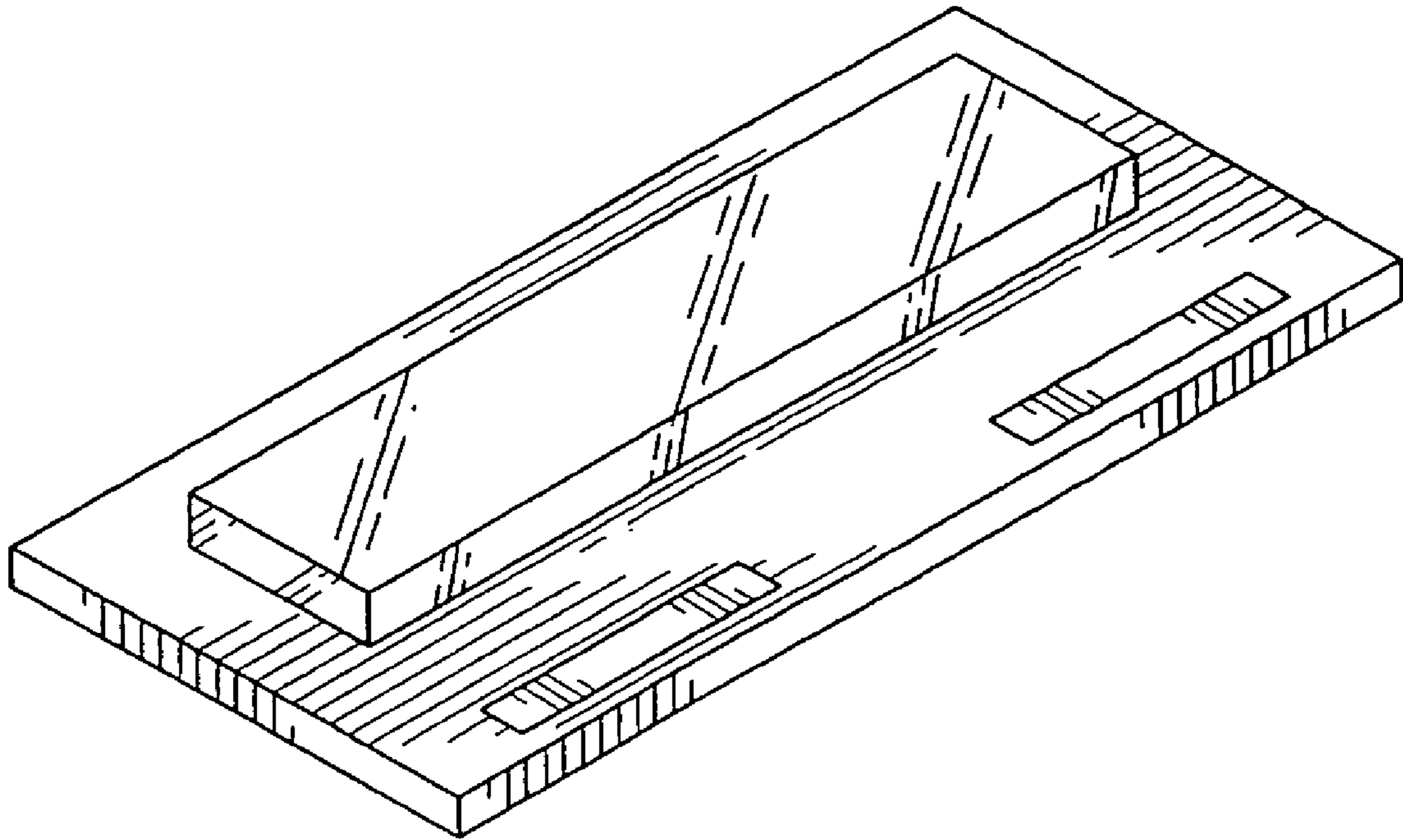


FIG. 1

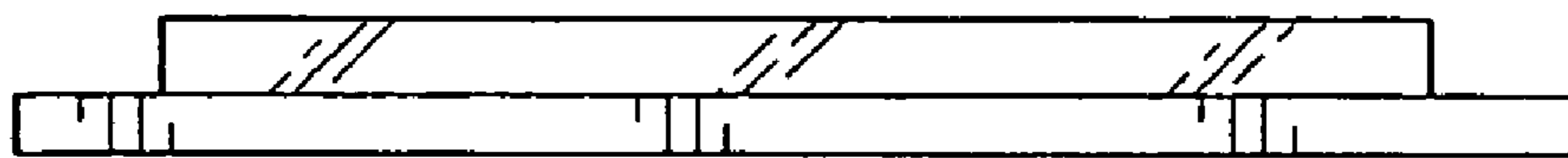


FIG. 2



FIG. 3

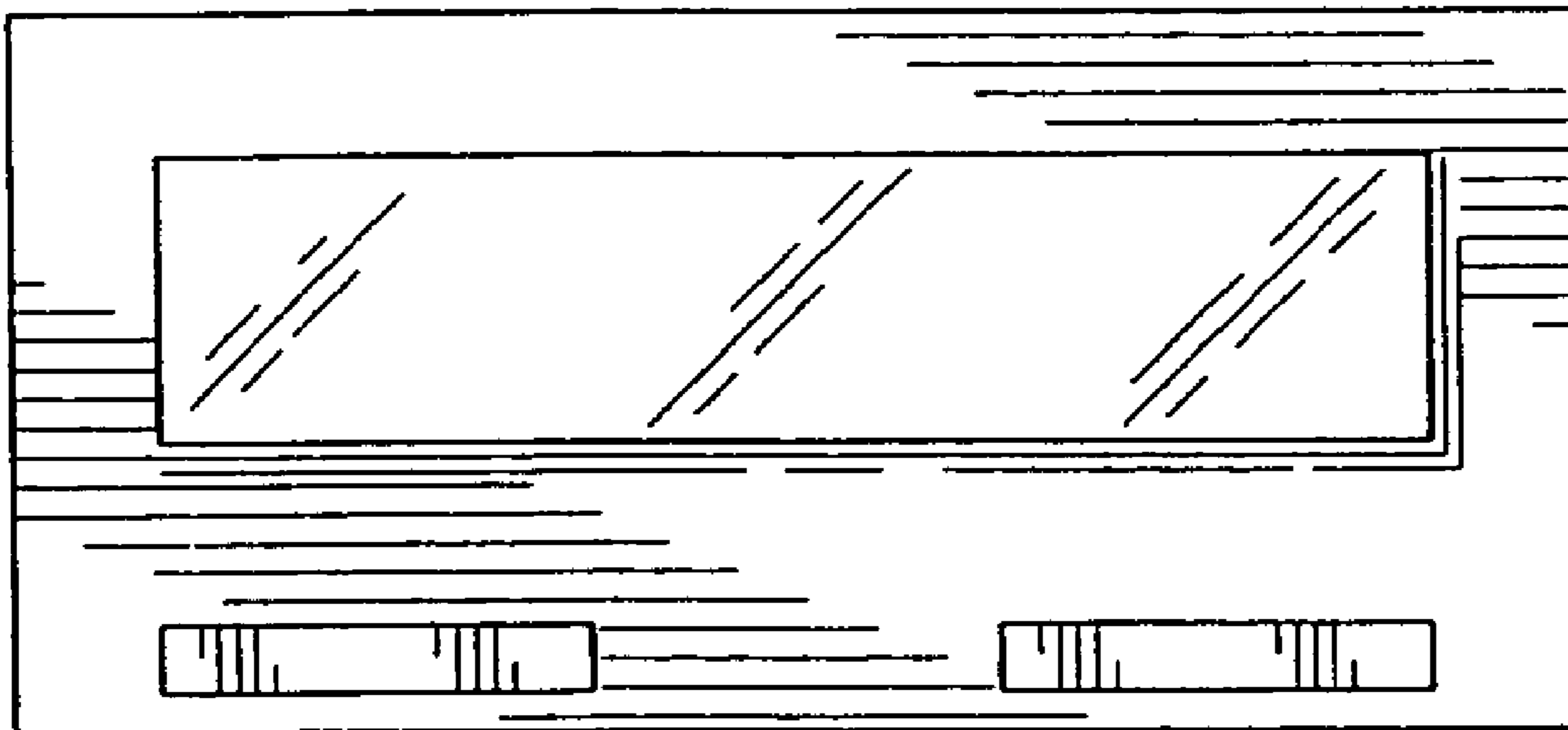


FIG. 4

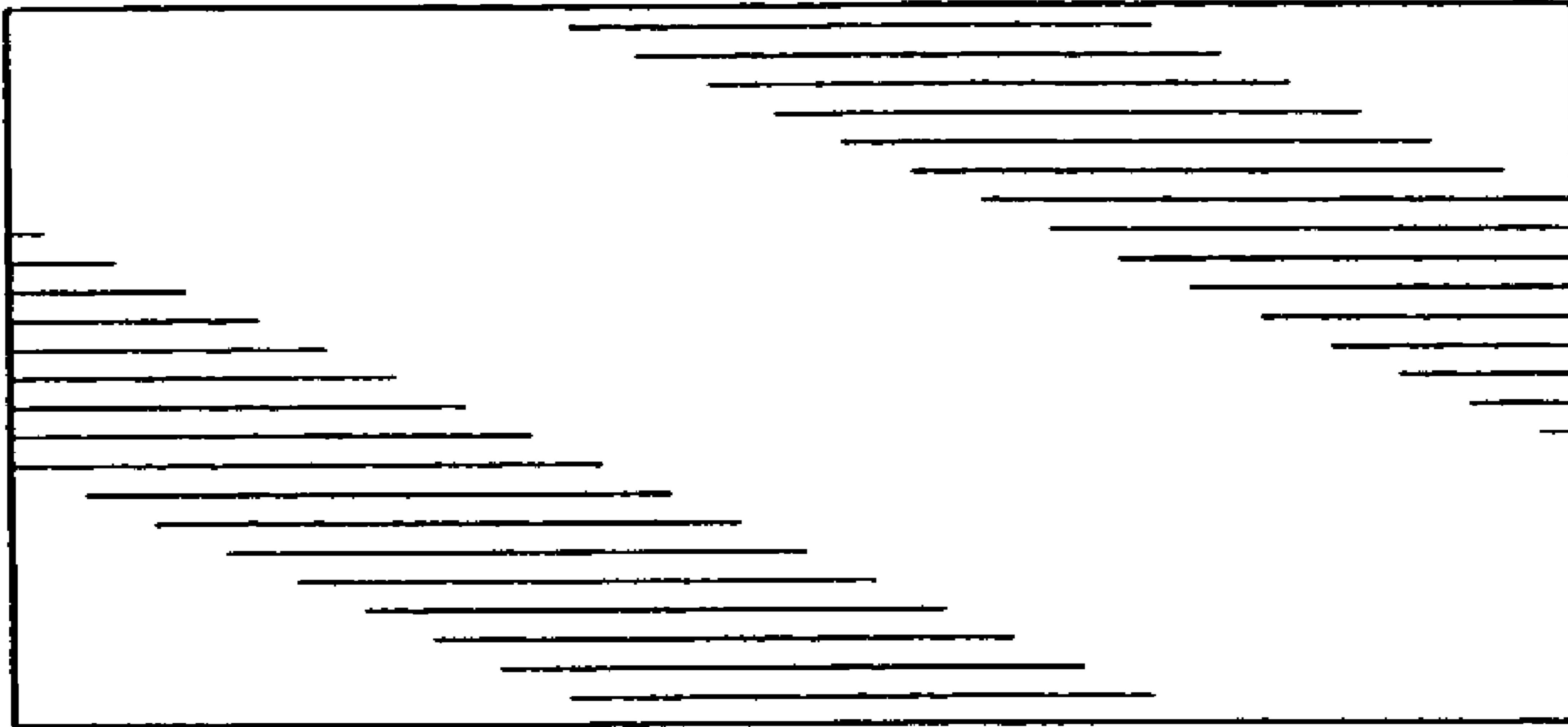


FIG. 5