



US00D560291S

(12) **United States Design Patent**
Koyama

(10) **Patent No.:** **US D560,291 S**
(45) **Date of Patent:** **** Jan. 22, 2008**

(54) **FRONT COMBINATION LAMP FOR AN
AUTOMOBILE**

D535,764 S * 1/2007 Yamaguchi D26/28
D536,810 S * 2/2007 Ishikura D26/28
D538,956 S * 3/2007 Ishii D26/28
D544,614 S * 6/2007 Markefka D26/28

(75) Inventor: **Gou Koyama**, Saitama (JP)

* cited by examiner

(73) Assignee: **Honda Motor Co., Ltd.**, Tokyo (JP)

Primary Examiner—Marcus A. Jackson

(**) Term: **14 Years**

(74) *Attorney, Agent, or Firm*—Westerman, Hattori, Daniels & Adrian, LLP.

(21) Appl. No.: **29/281,199**

(22) Filed: **Jun. 18, 2007**

(57) **CLAIM**

(30) **Foreign Application Priority Data**

The ornamental design for a front combination lamp for an automobile, as shown and described.

Dec. 21, 2006 (JP) 2006-035113

DESCRIPTION

(51) **LOC (8) Cl.** **26-06**

FIG. 1 is a perspective view of a front combination lamp for an automobile, showing our new design;

(52) **U.S. Cl.** **D26/28**

FIG. 2 is a front elevation view thereof;

(58) **Field of Classification Search** D26/28-36;
362/459-468, 475-478, 485-487
See application file for complete search history.

FIG. 3 is a top plan view thereof; and,

FIG. 4 is a right side elevation view thereof.

(56) **References Cited**

The broken lines are for illustrative purposes only and form no part of the claimed design.

U.S. PATENT DOCUMENTS

D528,681 S * 9/2006 Nakahara D26/28

1 Claim, 4 Drawing Sheets

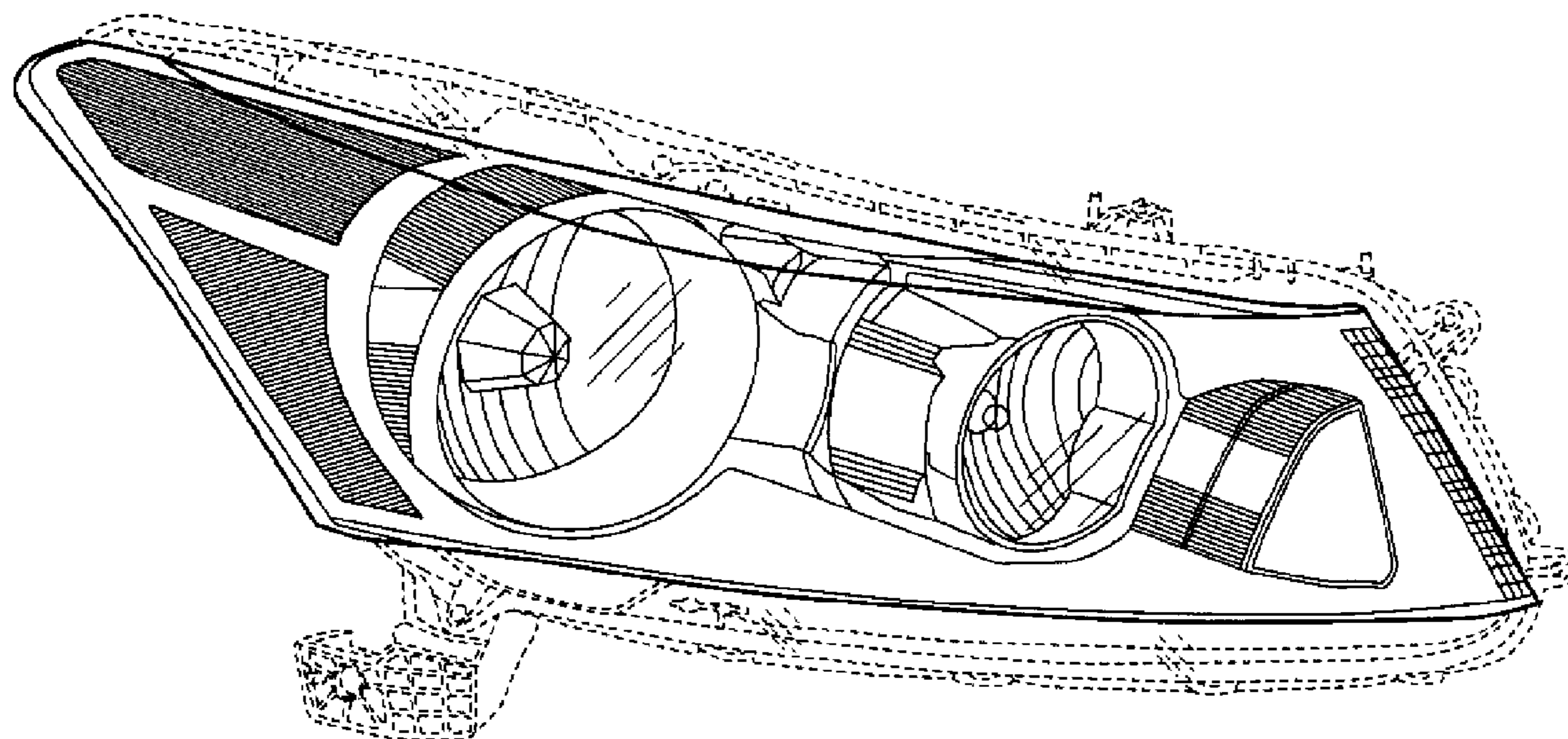


Fig.1

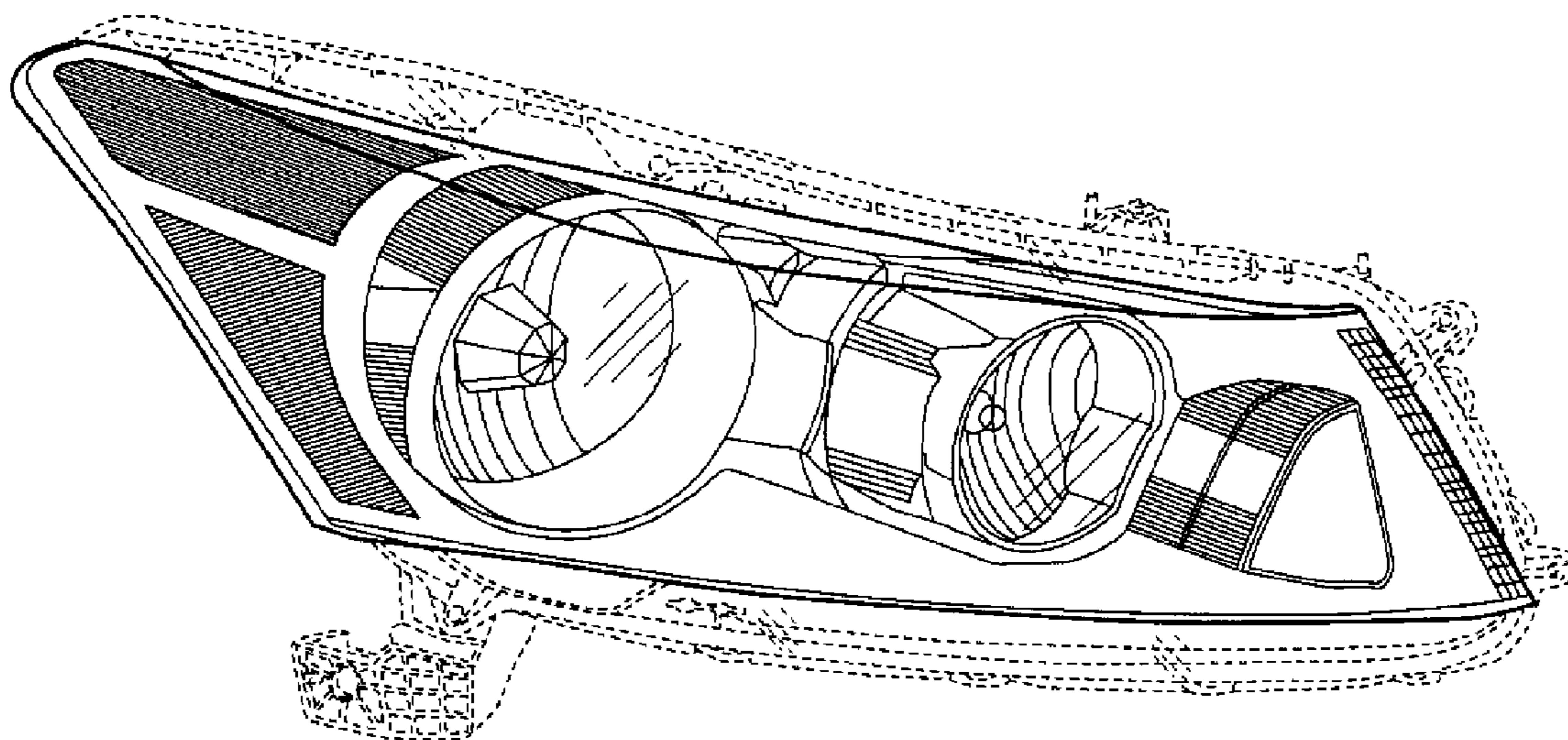


Fig.2

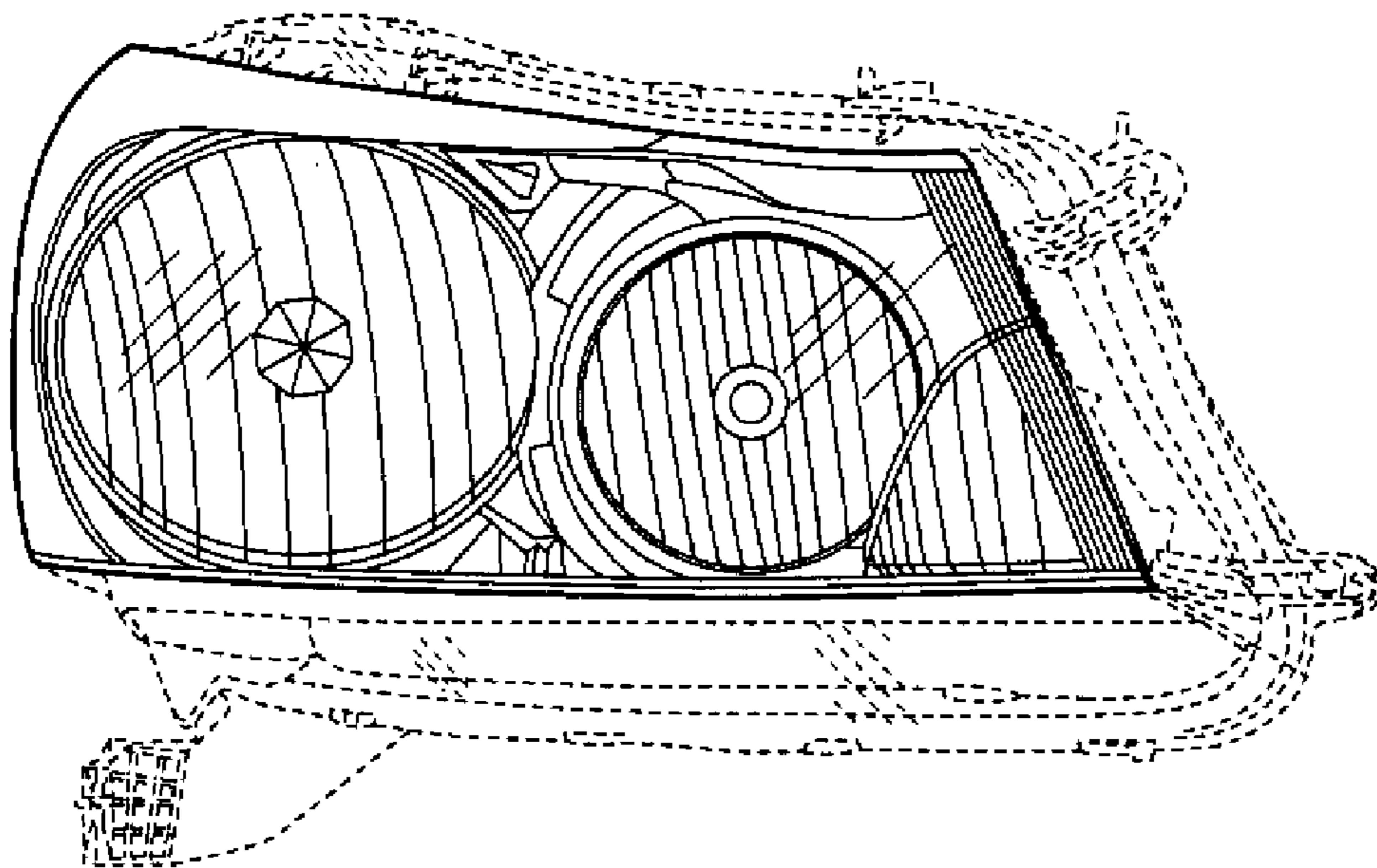


Fig.3

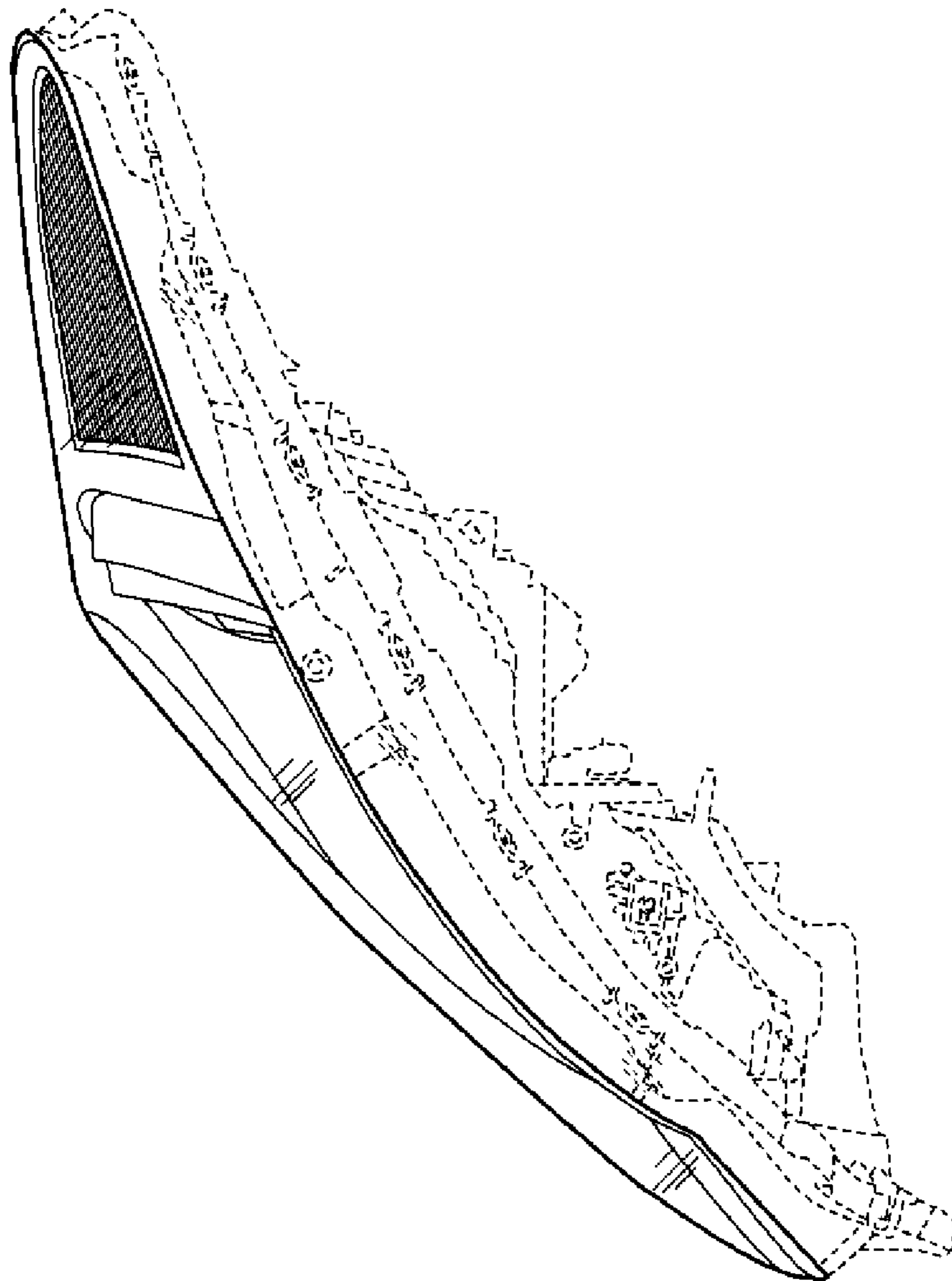


Fig.4

