

US00D560285S

(12) **United States Design Patent** (10) **Patent No.:** **US D560,285 S**  
**Byers** (45) **Date of Patent:** **\*\* Jan. 22, 2008**

(54) **LADDER MOUNT WITH SAFETY STRAP**

(57) **CLAIM**

(75) Inventor: **Gary L. Byers**, Columbia Falls, MT (US)

The ornamental design for a ladder mount with safety strap, as shown.

(73) Assignee: **Locan Properties, LLC**, Kalispell, MT (US)

**DESCRIPTION**

(\*\*) Term: **14 Years**

(21) Appl. No.: **29/268,296**

(22) Filed: **Nov. 2, 2006**

(51) **LOC (8) Cl.** ..... **25-04**

(52) **U.S. Cl.** ..... **D25/68**

(58) **Field of Classification Search** ..... D25/68,  
D25/69; 248/210, 238; 182/112, 115, 129  
See application file for complete search history.

FIG. 1 is a perspective view of the ladder mount with safety strap shown with the safety strap removed from the claimed design in this view;

FIG. 2 is a front elevational view of the ladder mount with safety strap;

FIG. 3 is a top plan view of the ladder mount with safety strap;

FIG. 4 is a rear elevational view of the ladder mount with safety strap;

FIG. 5 is a bottom plan view of the ladder mount with safety strap;

FIG. 6 is a left side elevational view of the ladder mount with safety strap;

FIG. 7 is a right side elevational view of the ladder mount with safety strap;

FIG. 8 is a front elevational view of the ladder mount with safety strap with the safety strap shown extended around a ladder leg. The broken lines showing a ladder leg is for illustrative purposes only and forms no part of the claimed design.

FIG. 9 is a rear elevation of the ladder mount with safety strap;

FIG. 10 is a left side elevational view of the ladder mount with safety strap; and,

FIG. 11 is a right side elevational view of the ladder mount with safety strap.

(56) **References Cited**

**U.S. PATENT DOCUMENTS**

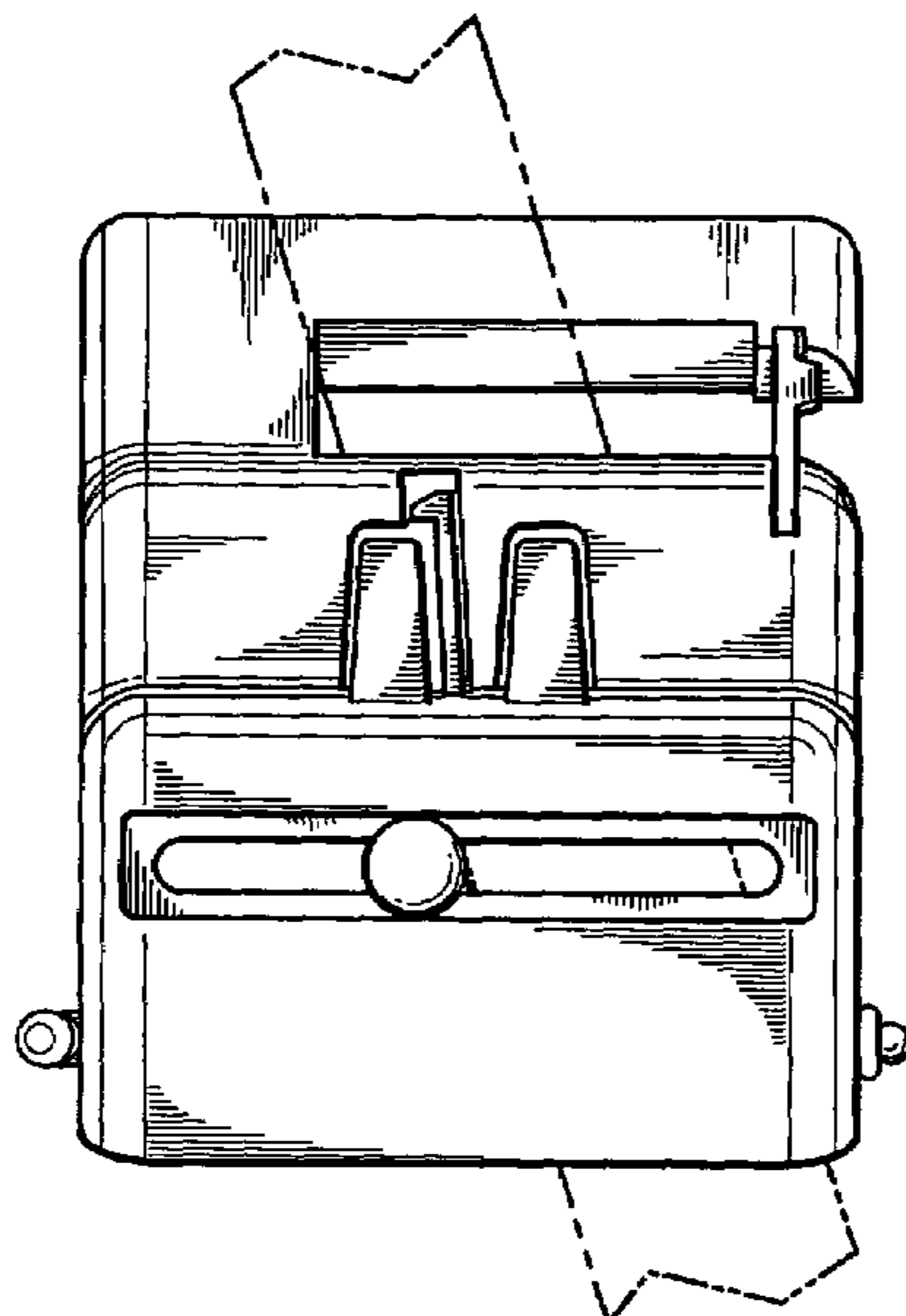
802,861	A	10/1905	Hetherington
2,453,189	A	11/1948	Bogut
2,645,443	A	7/1953	Pelletier
2,674,427	A	4/1954	Woodward et al.
2,837,306	A	6/1958	Elm
2,855,170	A	10/1958	Spinello
3,052,442	A	9/1962	Rankin, Jr.
3,227,411	A	1/1966	Treutler
3,357,668	A	12/1967	Carrel
3,458,165	A	7/1969	Crow
3,593,951	A	7/1971	Warner et al.
3,603,548	A	9/1971	Meyer, III
3,661,351	A	5/1972	Olsen
3,822,847	A	7/1974	Emmons

(Continued)

*Primary Examiner*—Doris Clark

(74) *Attorney, Agent, or Firm*—Dowrey Rickards PLLC

**1 Claim, 7 Drawing Sheets**



# US D560,285 S

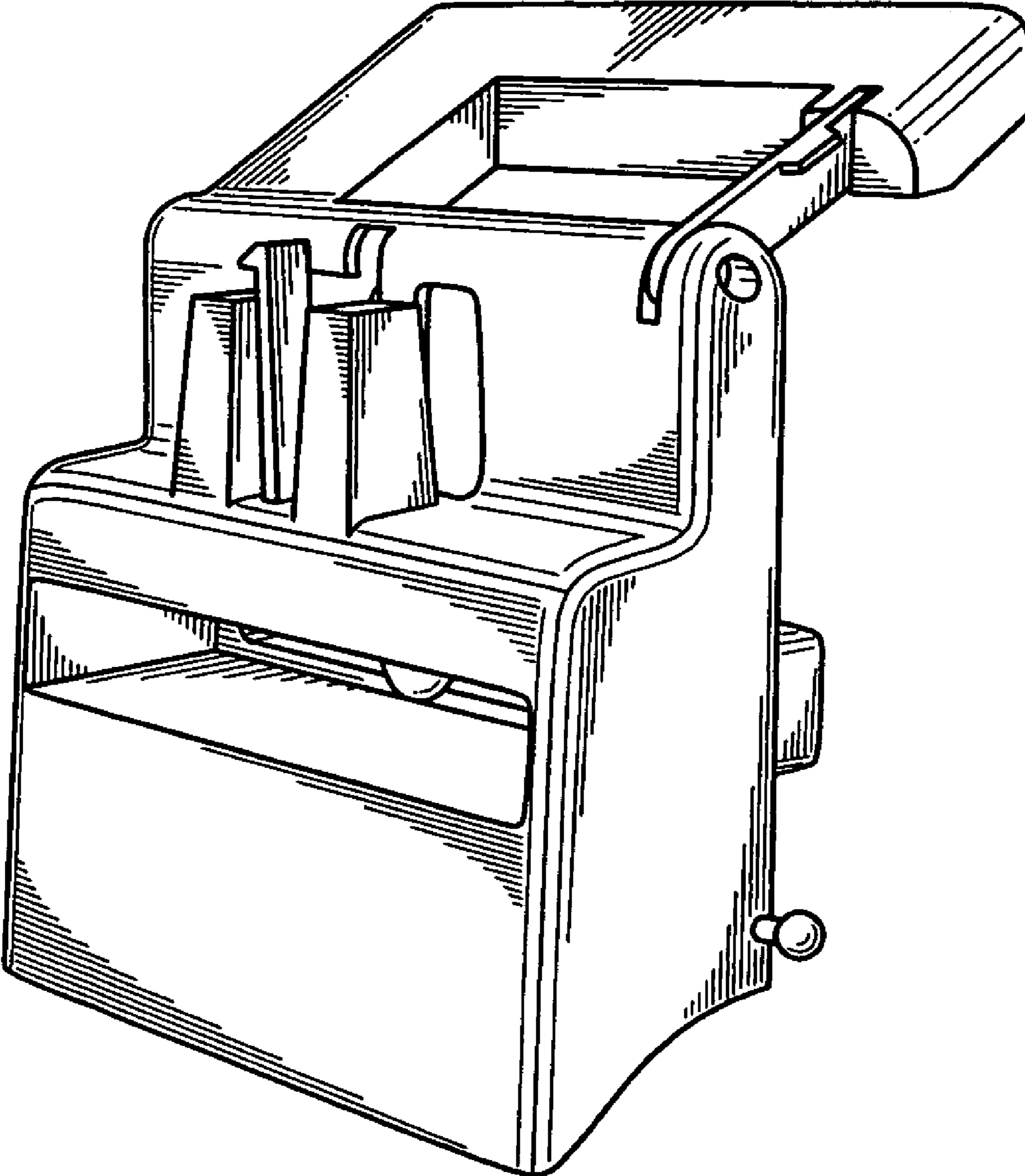
Page 2

---

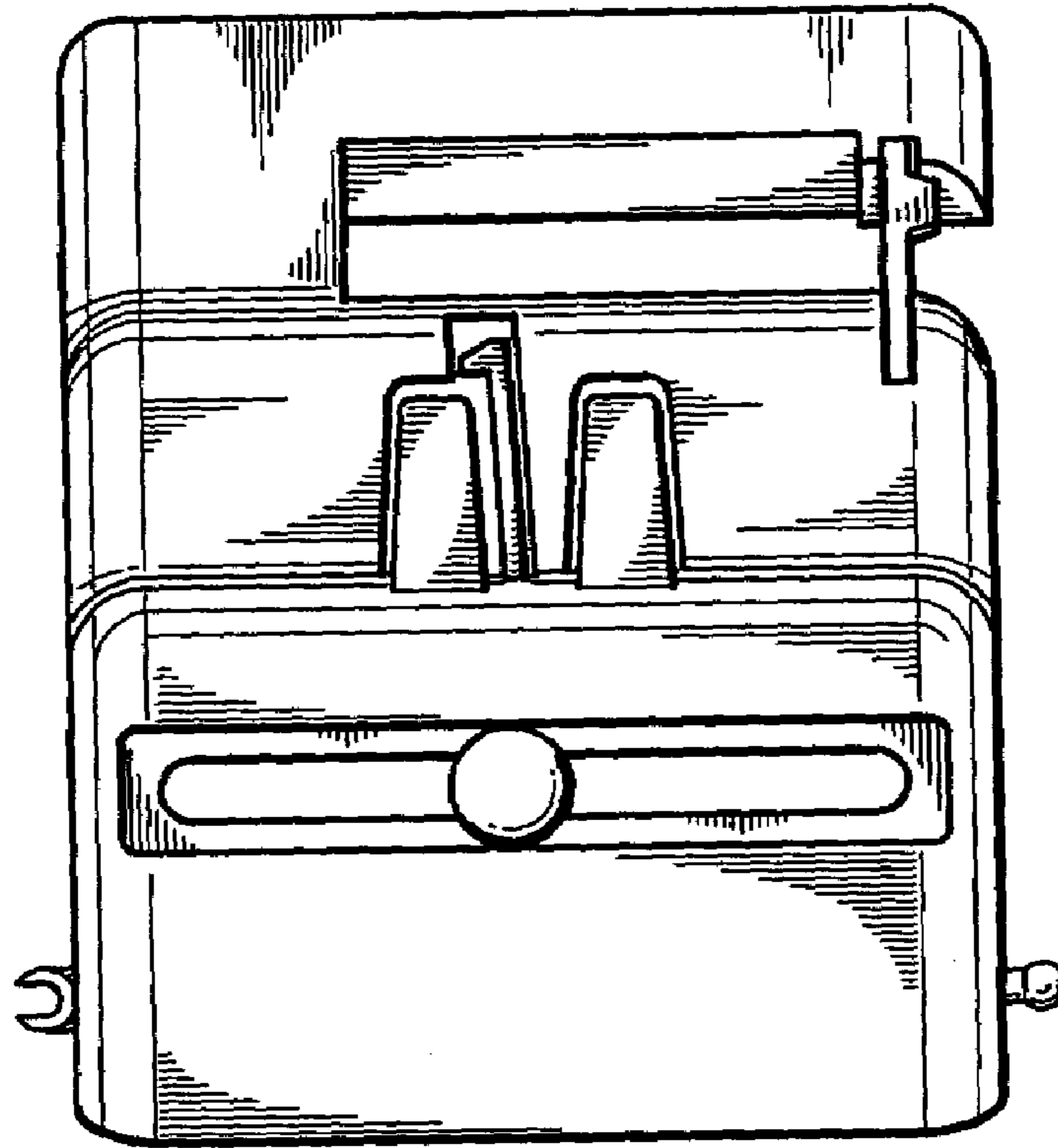
## U.S. PATENT DOCUMENTS

4,527,763	A	7/1985	Woytowich				
4,550,803	A *	11/1985	Finster et al. ....	182/129			
4,706,918	A	11/1987	Wilson				
4,730,802	A	3/1988	Chatham et al.				
D340,291	S *	10/1993	Bartnicki et al. ....	D25/68			
5,305,977	A	4/1994	Roth				
D355,287	S	2/1995	Camp, Jr.				
D383,579	S	9/1997	Samson				
5,727,649	A	3/1998	Buckley				
5,826,844	A	10/1998	Purdy				
5,842,253	A	12/1998	Ahl et al.				
5,855,346	A	1/1999	Hall				
6,019,241	A	2/2000	Burns				
6,089,351	A	7/2000	Ahl et al.				
6,148,958	A	11/2000	Ahl et al.				
6,244,548	B1 *	6/2001	Gillette .....	248/210			
D444,604	S	7/2001	Hoffert et al.				
6,338,459	B1	1/2002	Biggs				
6,382,354	B2	5/2002	Ahl et al.				
6,431,392	B1	8/2002	Eisenbeisz				
D470,634	S	2/2003	Rajdl				
6,513,626	B2	2/2003	MacSweeney et al.				
6,604,721	B2	8/2003	Ahl et al.				
6,892,858	B1 *	5/2005	Zupan .....	182/129			
7,083,044	B1	8/2006	Kilian et al.				
D524,501	S	5/2007	Lopez				

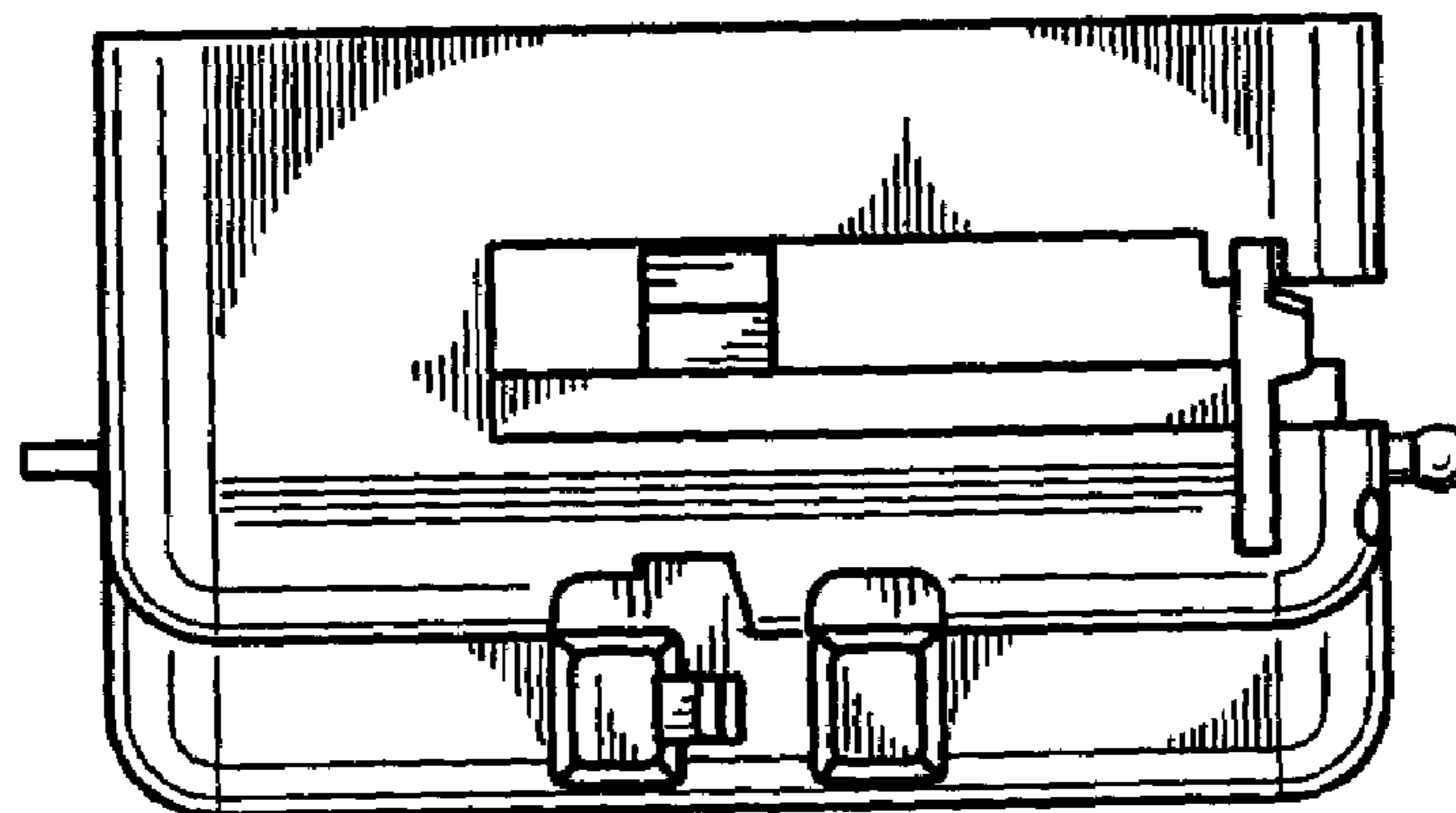
\* cited by examiner



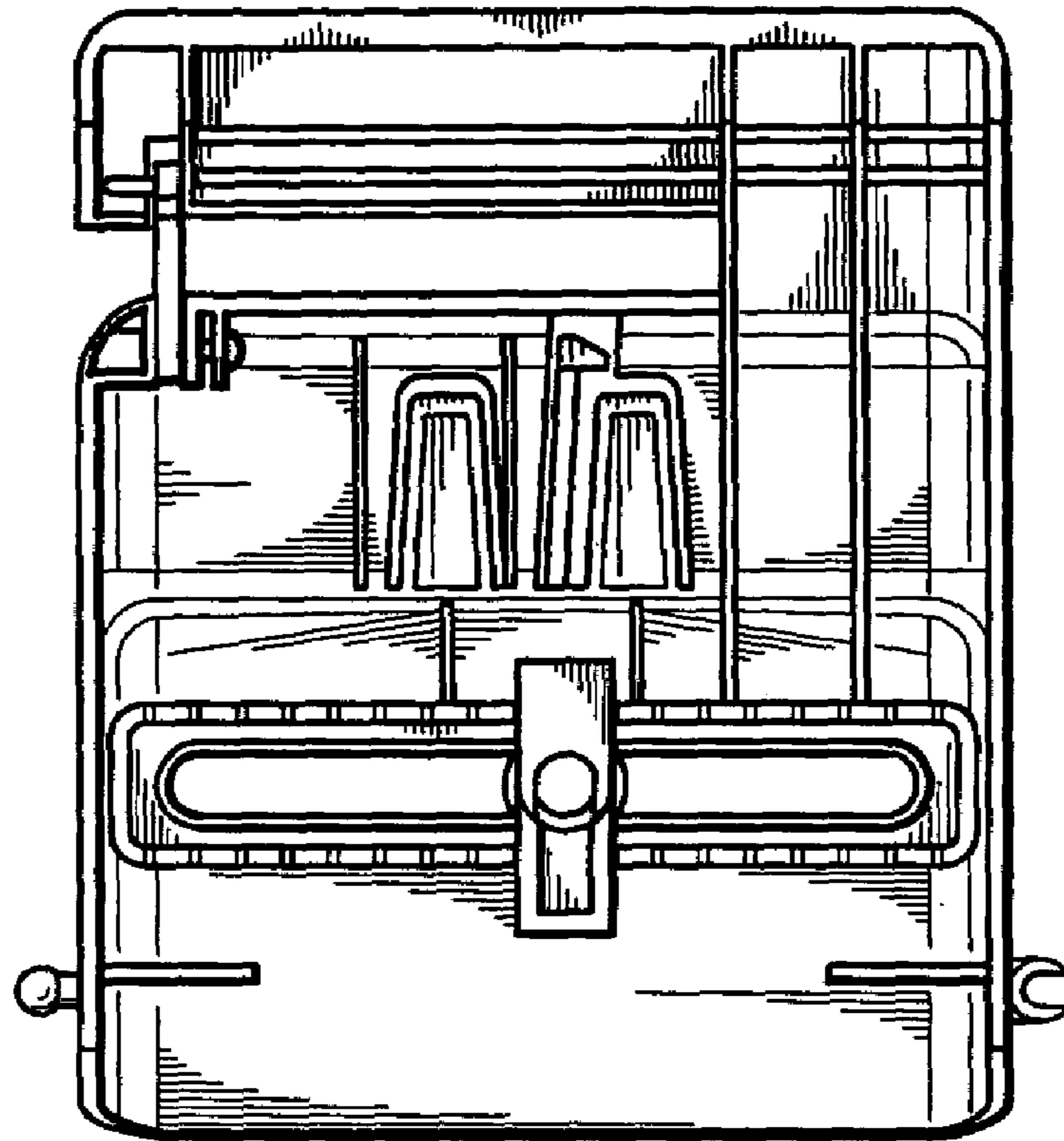
*FIG. 1*



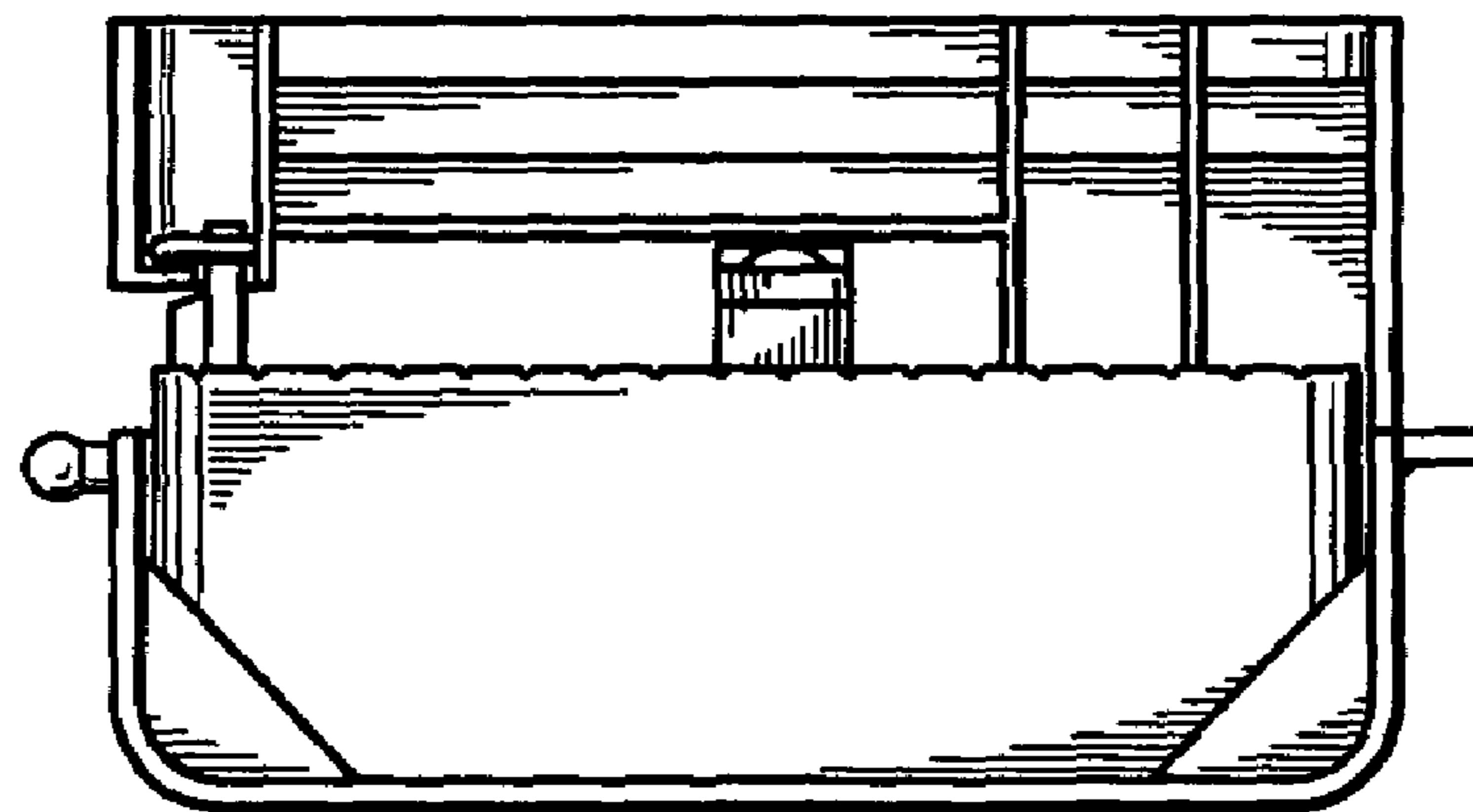
*FIG. 2*



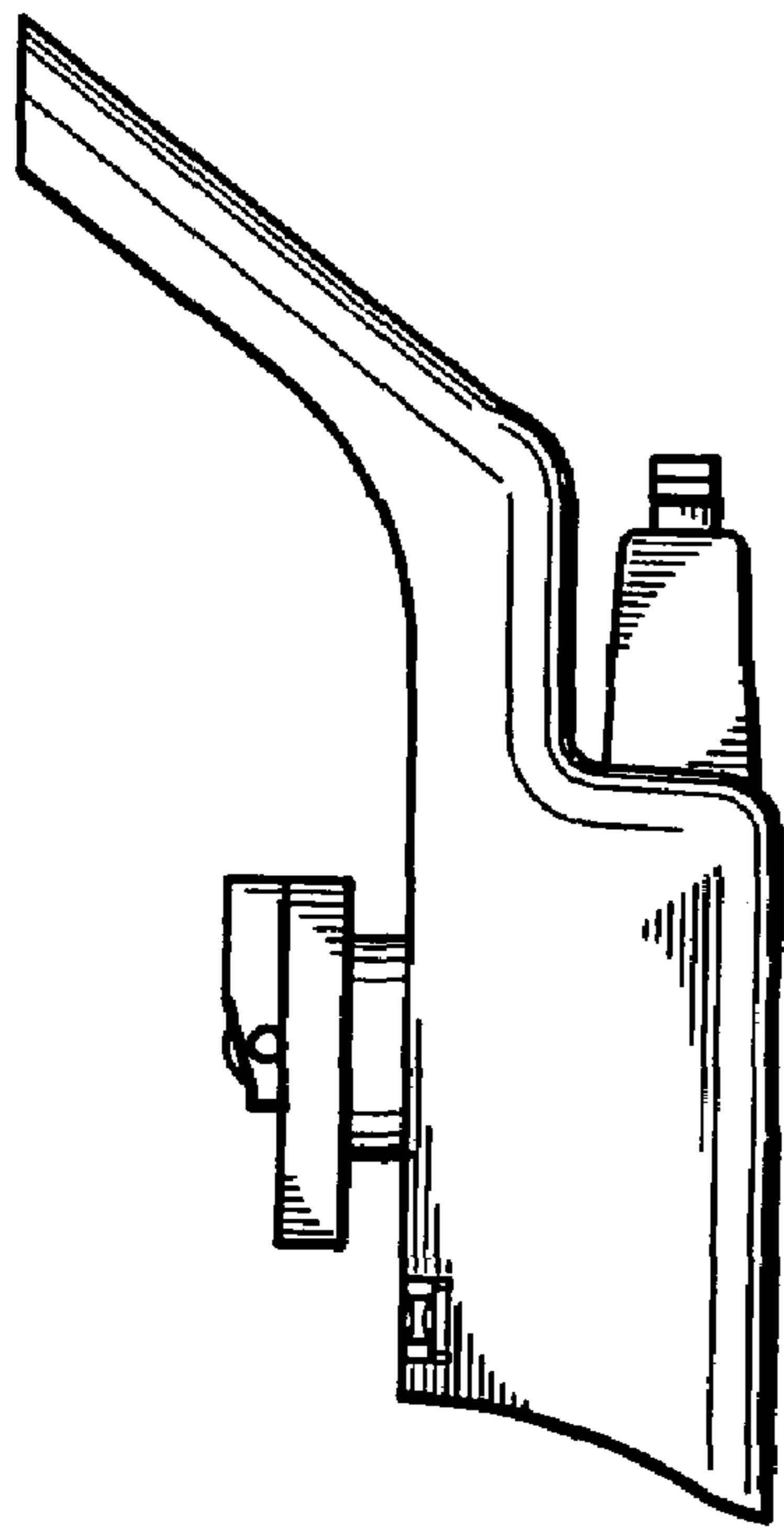
*FIG. 3*



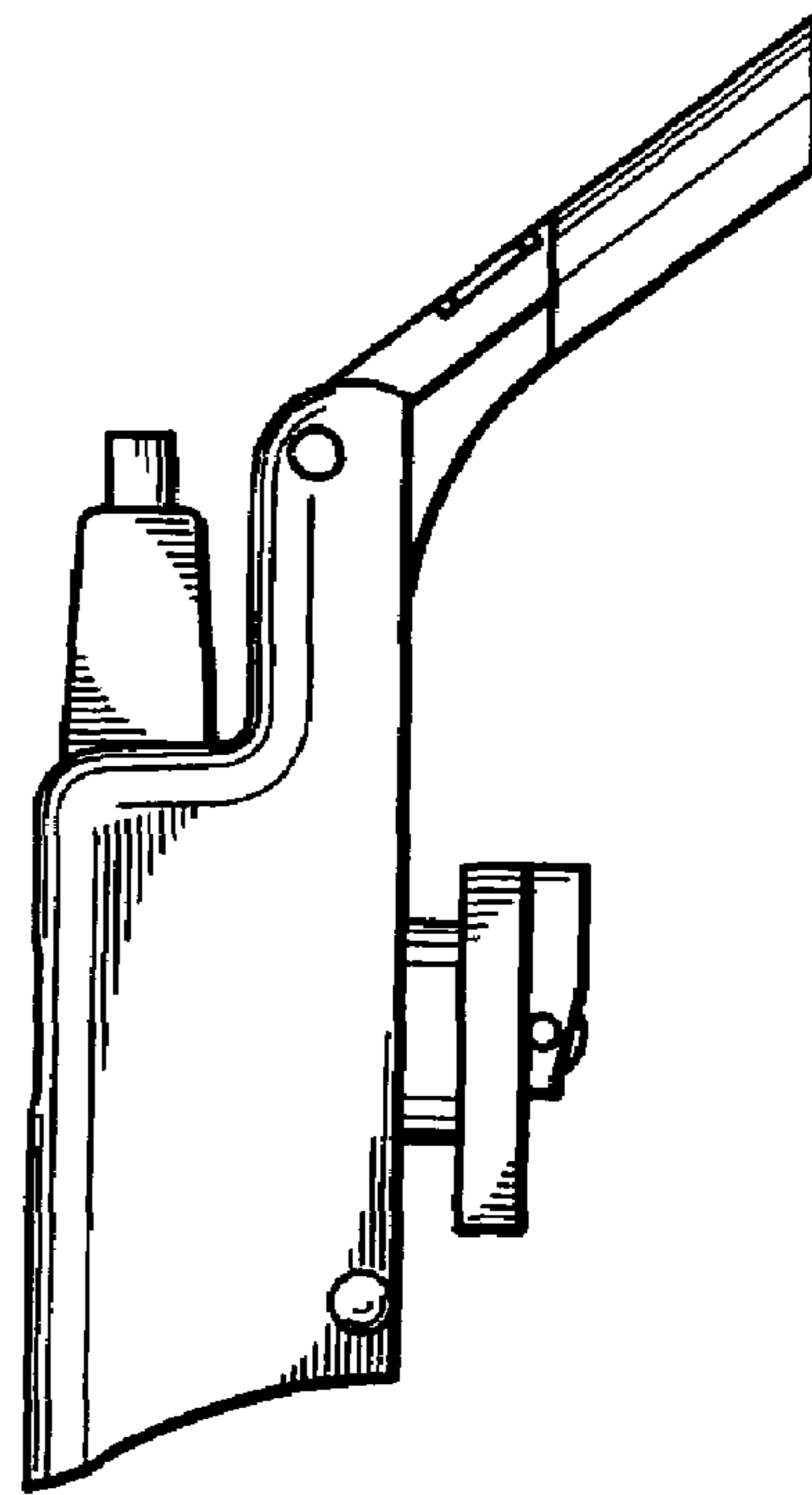
*FIG. 4*



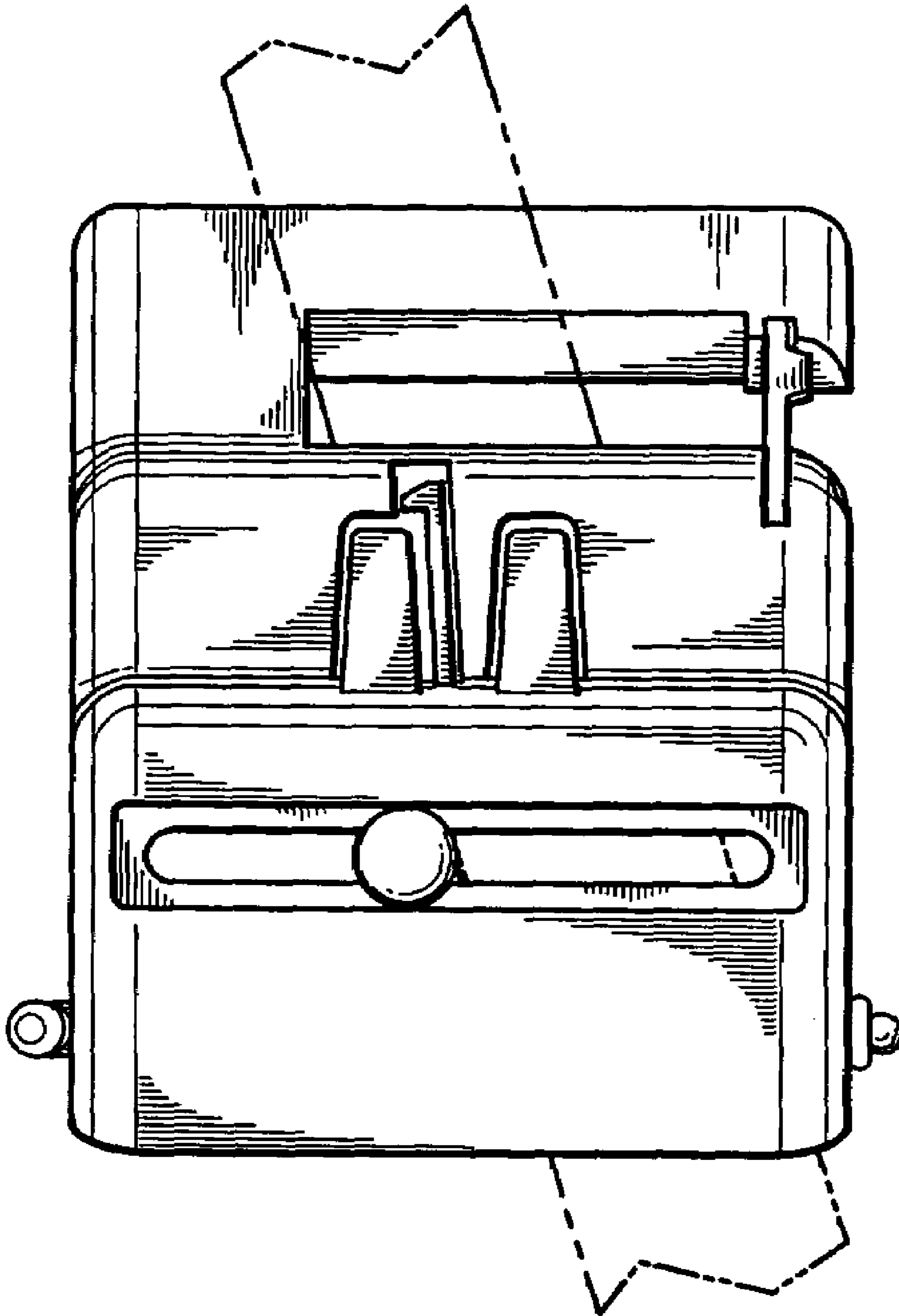
*FIG. 5*



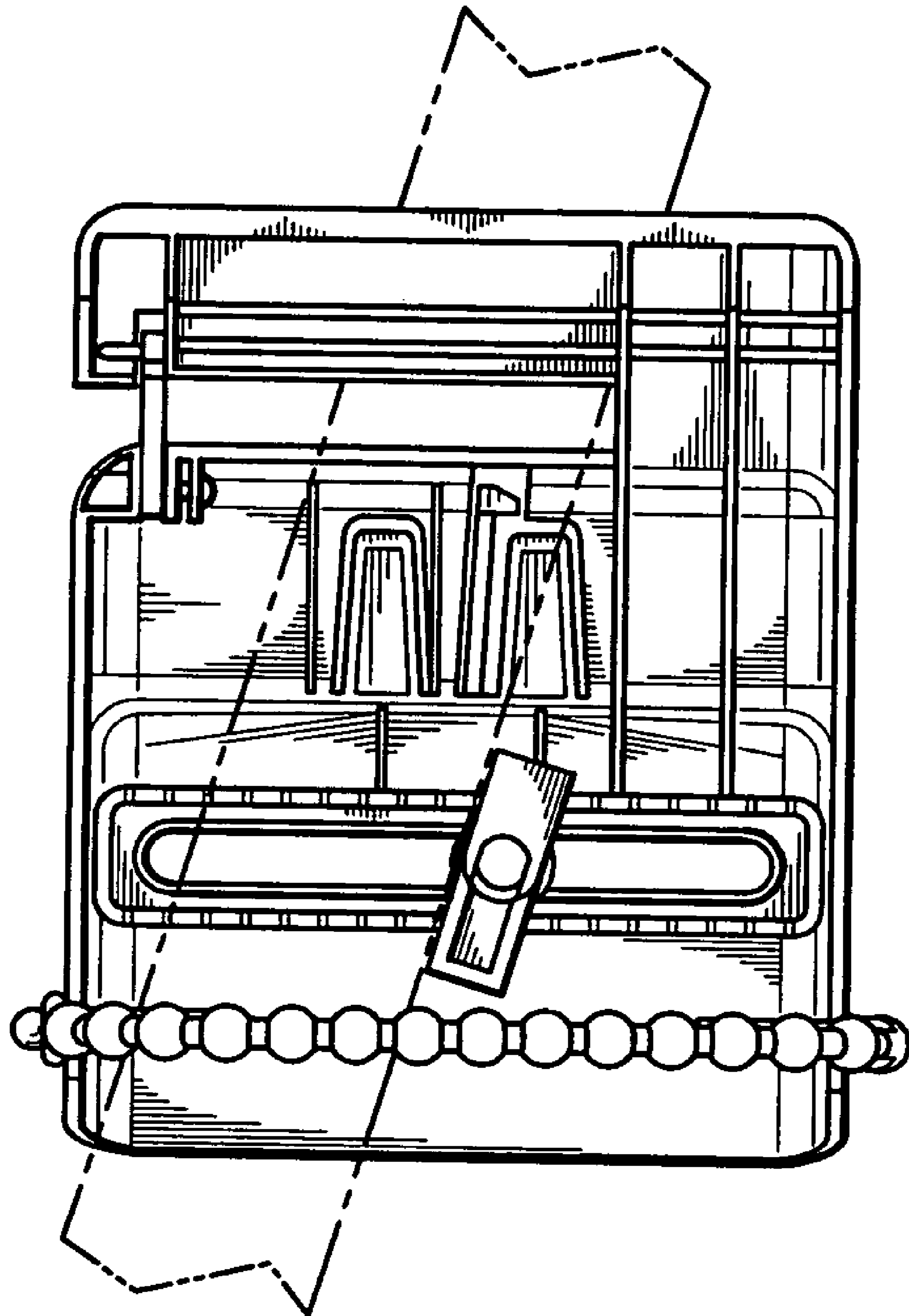
*FIG. 6*



*FIG. 7*

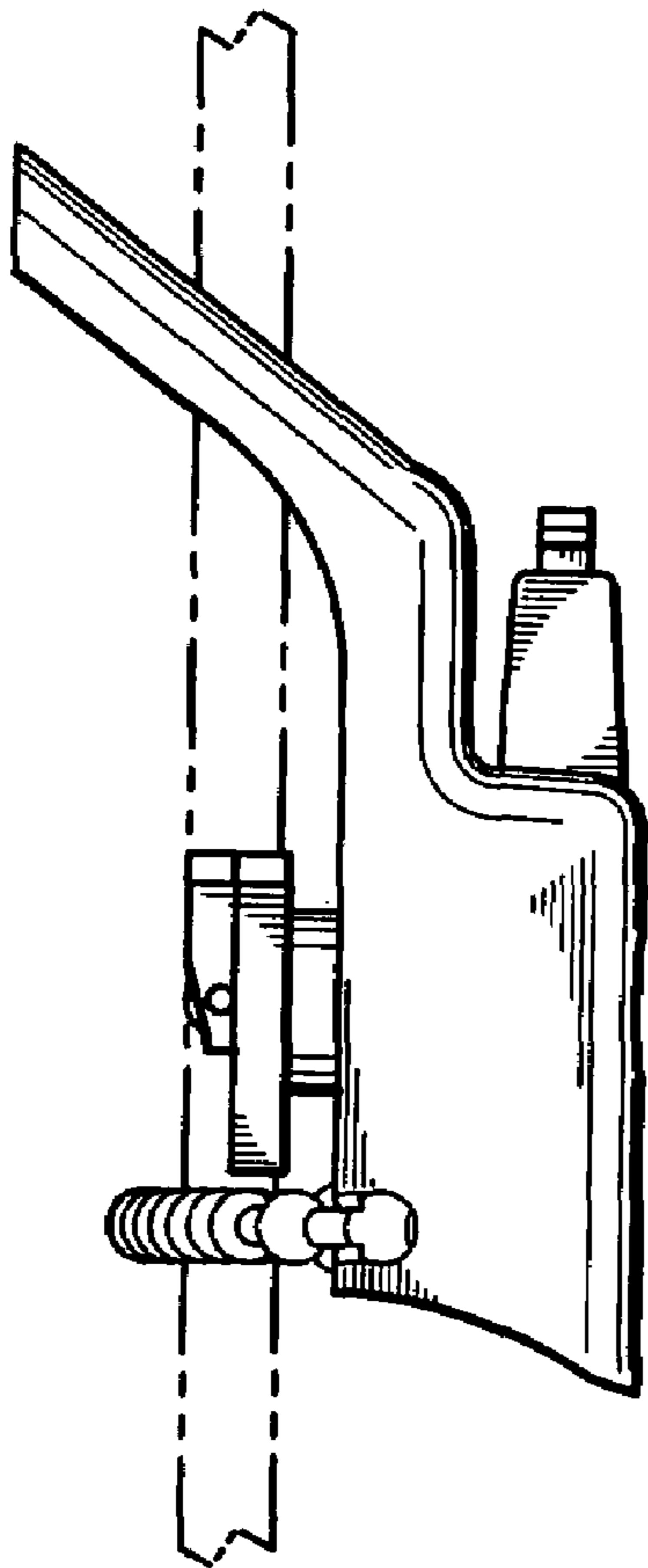


*FIG. 8*

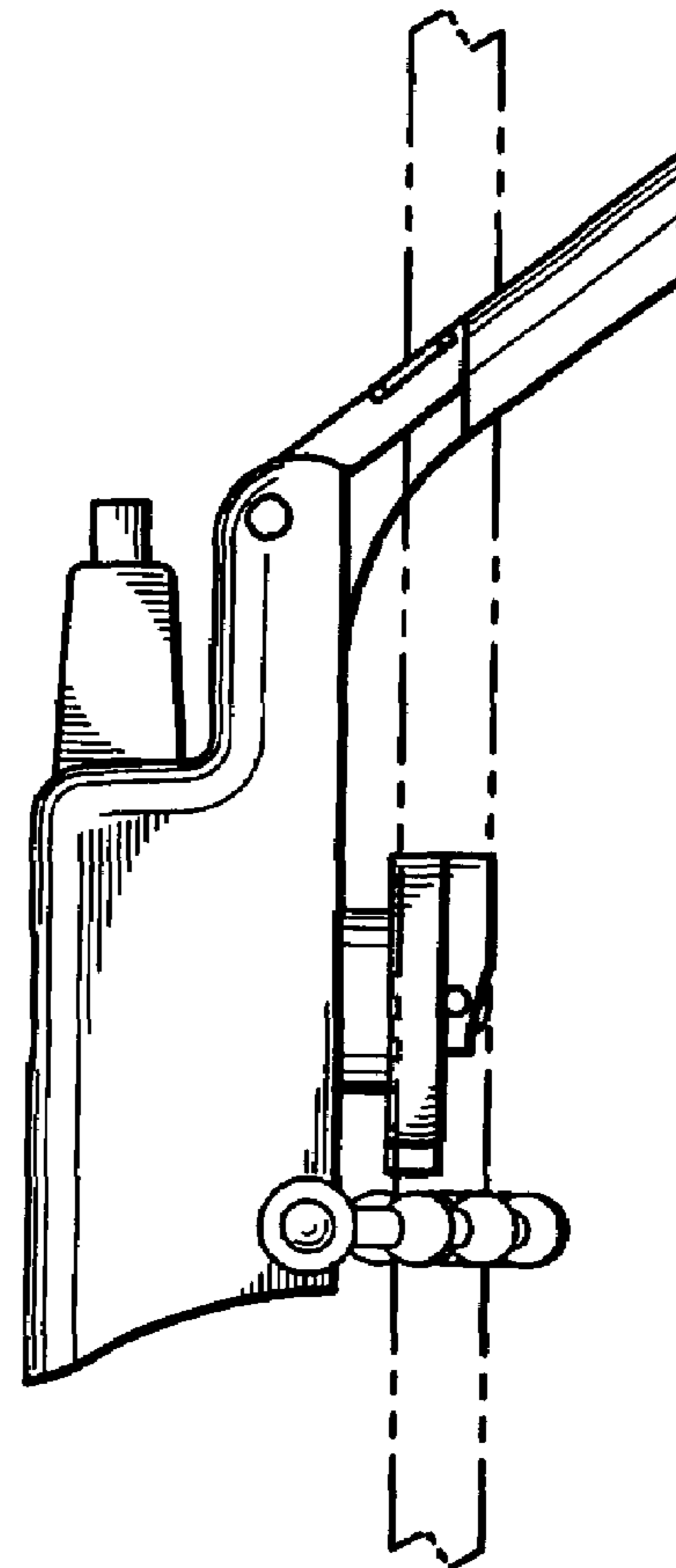


*FIG. 9*





*FIG. 10*



*FIG. 11*