



US00D560284S

(12) **United States Design Patent**  
**Nagakubo et al.**

(10) **Patent No.:** **US D560,284 S**  
(45) **Date of Patent:** **\*\* Jan. 22, 2008**

(54) **COVER RING**

JP 1207599 6/2004  
JP 1210213 6/2004

(75) Inventors: **Keiichi Nagakubo**, Nirasaki (JP); **Daiki Satoh**, Nirasaki (JP)

(73) Assignee: **Tokyo Electron Limited**, Tokyo (JP)

\* cited by examiner

(\*\*) Term: **14 Years**

*Primary Examiner*—Robert A. Delehanty

*Assistant Examiner*—Mark Cavanna

(21) Appl. No.: **29/233,657**

(74) *Attorney, Agent, or Firm*—Oblon, Spivak, McClelland, Maier & Neustadt, P.C.

(22) Filed: **Jul. 8, 2005**

(30) **Foreign Application Priority Data**

Mar. 30, 2005 (JP) ..... 2005-009490

(51) **LOC (8) Cl.** ..... **24-01**

(52) **U.S. Cl.** ..... **D24/232**

(58) **Field of Classification Search** ..... D24/187,  
D24/216, 224, 232; D15/122, 138, 144,  
D15/199; D16/134, 219; 118/715, 728;  
156/345.51; 435/305.4; 414/609; D13/182  
See application file for complete search history.

(56) **References Cited**

**U.S. PATENT DOCUMENTS**

- 5,837,058 A \* 11/1998 Chen et al. .... 118/728
- D404,370 S \* 1/1999 Kimura ..... D13/182
- D404,372 S \* 1/1999 Ishii ..... D13/182
- 6,068,441 A \* 5/2000 Raaijmakers et al. .... 414/609
- 6,423,175 B1 \* 7/2002 Huang et al. .... 156/345.51
- D491,963 S \* 6/2004 Doba ..... D15/144
- D494,552 S \* 8/2004 Tezuka et al. .... D13/182
- D496,008 S \* 9/2004 Takahashi et al. .... D13/182
- 2005/0150452 A1 \* 7/2005 Sen et al. .... 118/715
- 2007/0166819 A1 \* 7/2007 Ghosh et al. .... 435/305.4

**FOREIGN PATENT DOCUMENTS**

JP 3424903 10/1998

(57) **CLAIM**

The ornamental design for a cover ring, as shown and described.

**DESCRIPTION**

FIG. 1 is a front elevational view of a cover ring, showing our new design;

FIG. 2 is a right side elevational view thereof, the left side elevational view being a mirror image of the view shown;

FIG. 3 is a top plan view thereof, the bottom plan view being a mirror image of the view shown;

FIG. 4 is a rear elevational view thereof;

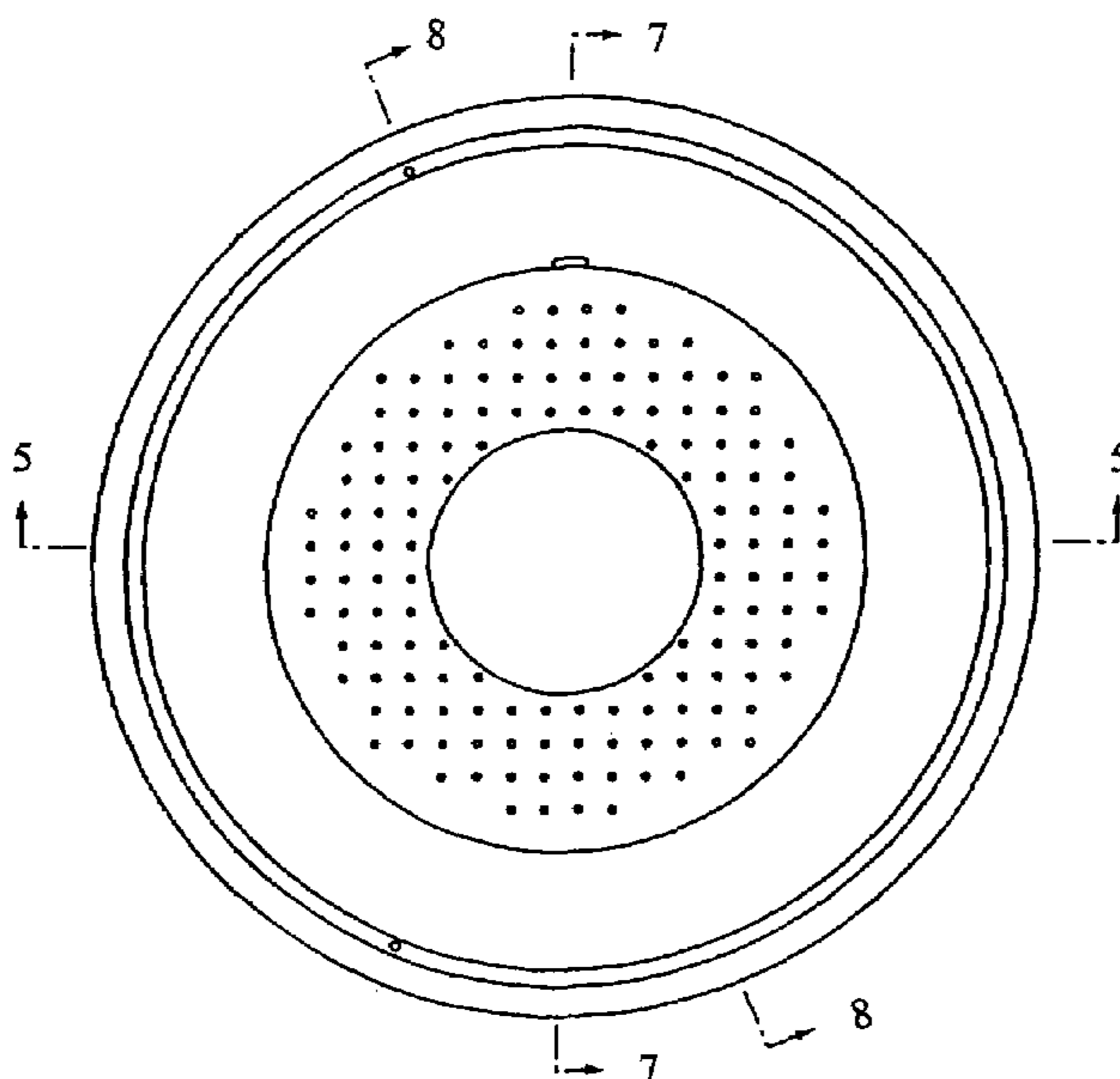
FIG. 5 is a cross-sectional view thereof taken along line 5—5 in FIG. 1;

FIG. 6 is a bottom and front view thereof;

FIG. 7 is a cross-sectional view thereof taken along line 7—7 in FIG. 1; and,

FIG. 8 is a cross-sectional view thereof taken along line 8—8 in FIG. 1.

**1 Claim, 4 Drawing Sheets**



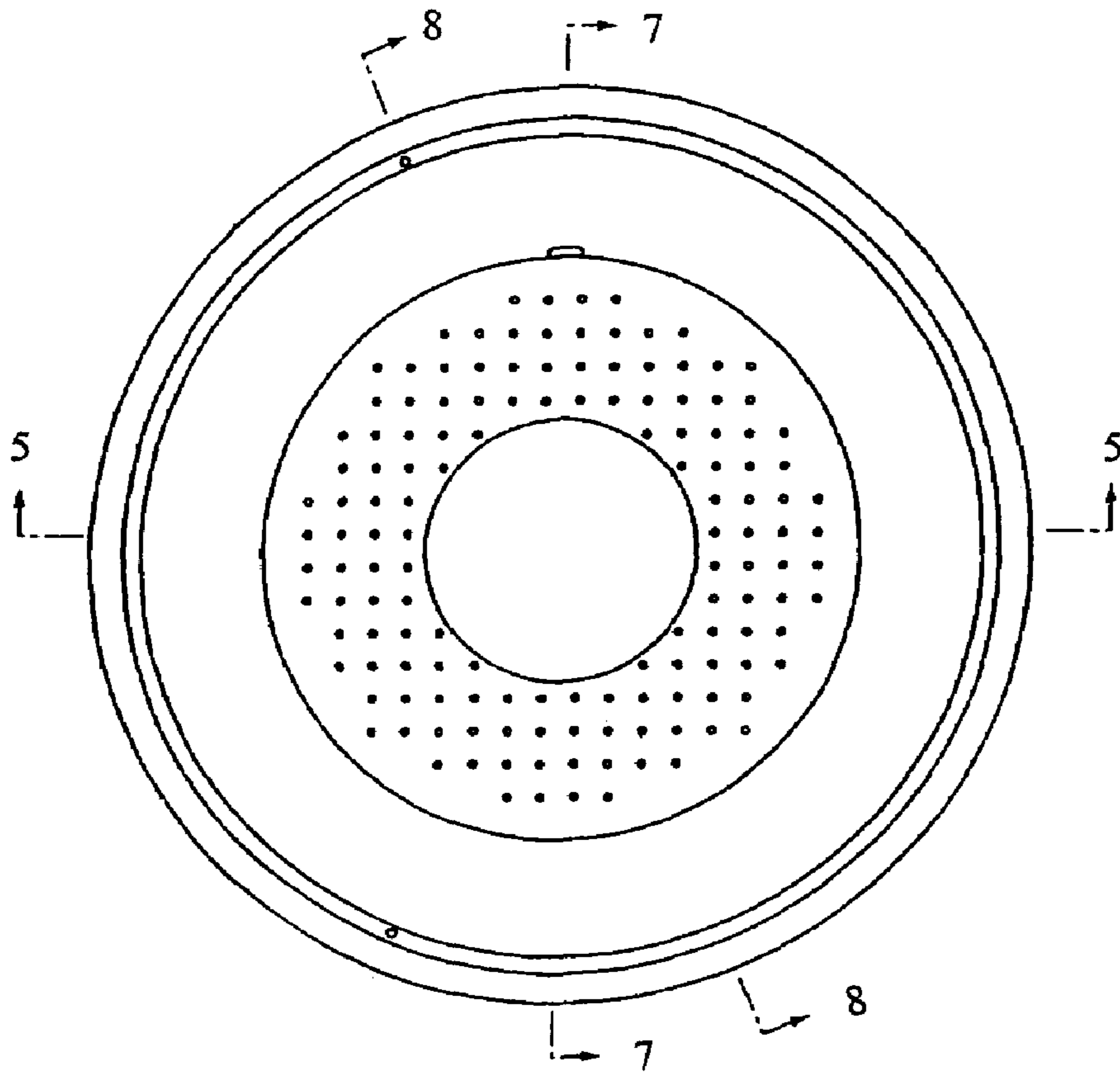


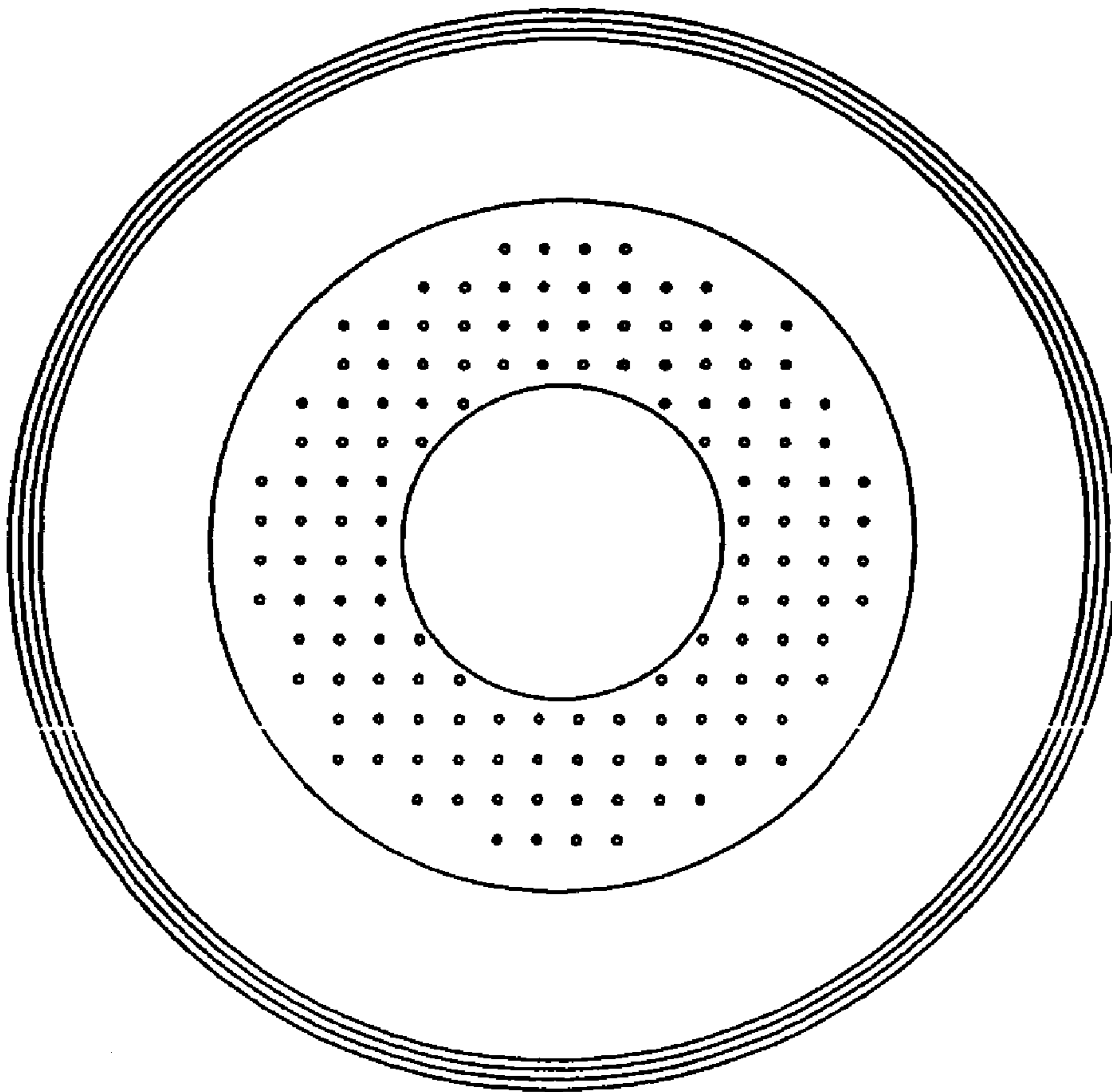
FIG. 1



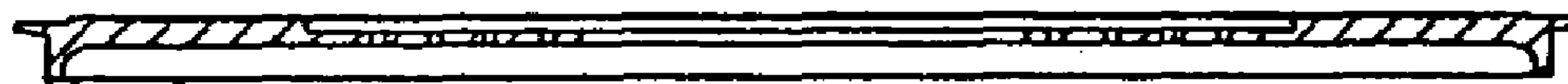
FIG. 2



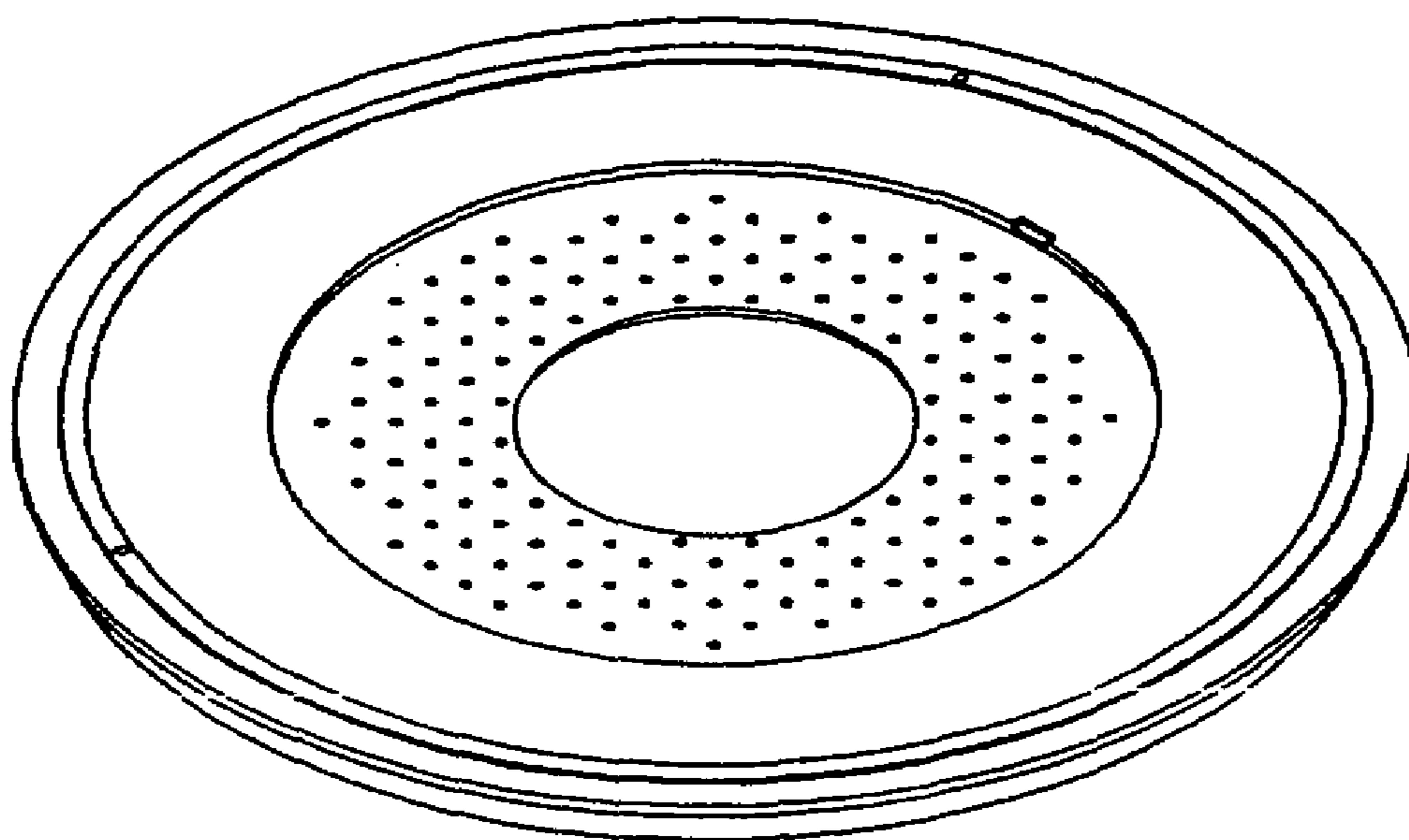
**FIG. 3**



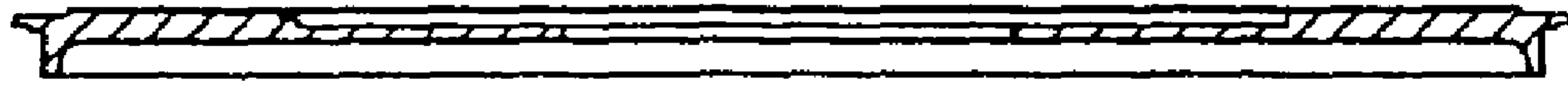
**FIG. 4**



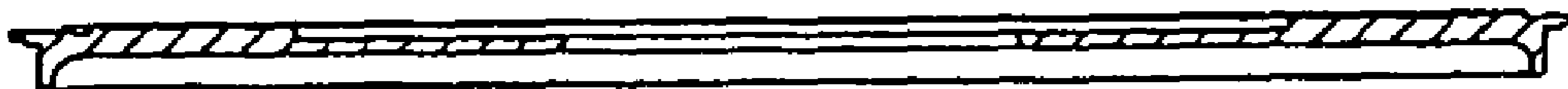
**FIG. 5**



**FIG. 6**



**FIG. 7**



**FIG. 8**