



US00D560280S

(12) **United States Design Patent**
Skwarek et al.

(10) **Patent No.:** **US D560,280 S**
(45) **Date of Patent:** **** Jan. 22, 2008**

(54) **MULTIPLE THERAPY DELIVERY PLATFORM DEVICE**

(75) Inventors: **Thomas R. Skwarek**, Shoreview, MN (US); **Mark A. Christopherson**, Shoreview, MN (US)

(73) Assignee: **Medtronic, Inc.**, Minneapolis, MN (US)

(**) Term: **14 Years**

(21) Appl. No.: **29/289,391**

(22) Filed: **Jul. 18, 2007**

Related U.S. Application Data

(62) Division of application No. 29/230,443, filed on May 20, 2005, now Pat. No. Des. 551,769.

(51) **LOC (8) Cl.** **24-01**

(52) **U.S. Cl.** **D24/186**

(58) **Field of Classification Search** D24/160, D24/167-170, 185-187, 216-234; 128/736; 606/32, 43, 37, 41-42; 607/60

See application file for complete search history.

(56) **References Cited**

U.S. PATENT DOCUMENTS

- D373,193 S * 8/1996 Luther D24/167
- D394,903 S * 6/1998 Barkley et al. D24/167
- D402,758 S * 12/1998 Barkley et al. D24/167
- D411,622 S * 6/1999 Hall D24/170
- D438,204 S * 2/2001 Winkler D14/356

- D441,450 S * 5/2001 Salvatori et al. D24/167
- D447,241 S * 8/2001 Deck D24/167
- D471,279 S * 3/2003 Locke et al. D24/167
- 6,580,948 B2 * 6/2003 Hauptert et al. 607/60
- D484,981 S * 1/2004 Faller et al. D24/167
- D499,183 S * 11/2004 Vaisnys et al. D24/167
- D509,900 S * 9/2005 Barnes et al. D24/160
- D538,432 S * 3/2007 Diener et al. D24/160

* cited by examiner

Primary Examiner—Robert A. Delehanty

Assistant Examiner—Mark Cavanna

(74) *Attorney, Agent, or Firm*—Scott A. Marks

(57) **CLAIM**

The ornamental design for multiple therapy delivery platform device, as shown and described.

DESCRIPTION

FIG. 1 is a perspective view of a multiple therapy delivery platform device with the screen open showing our new design;

FIG. 2 is a front view thereof;

FIG. 3 is a rear view thereof;

FIG. 4 is a bottom view thereof;

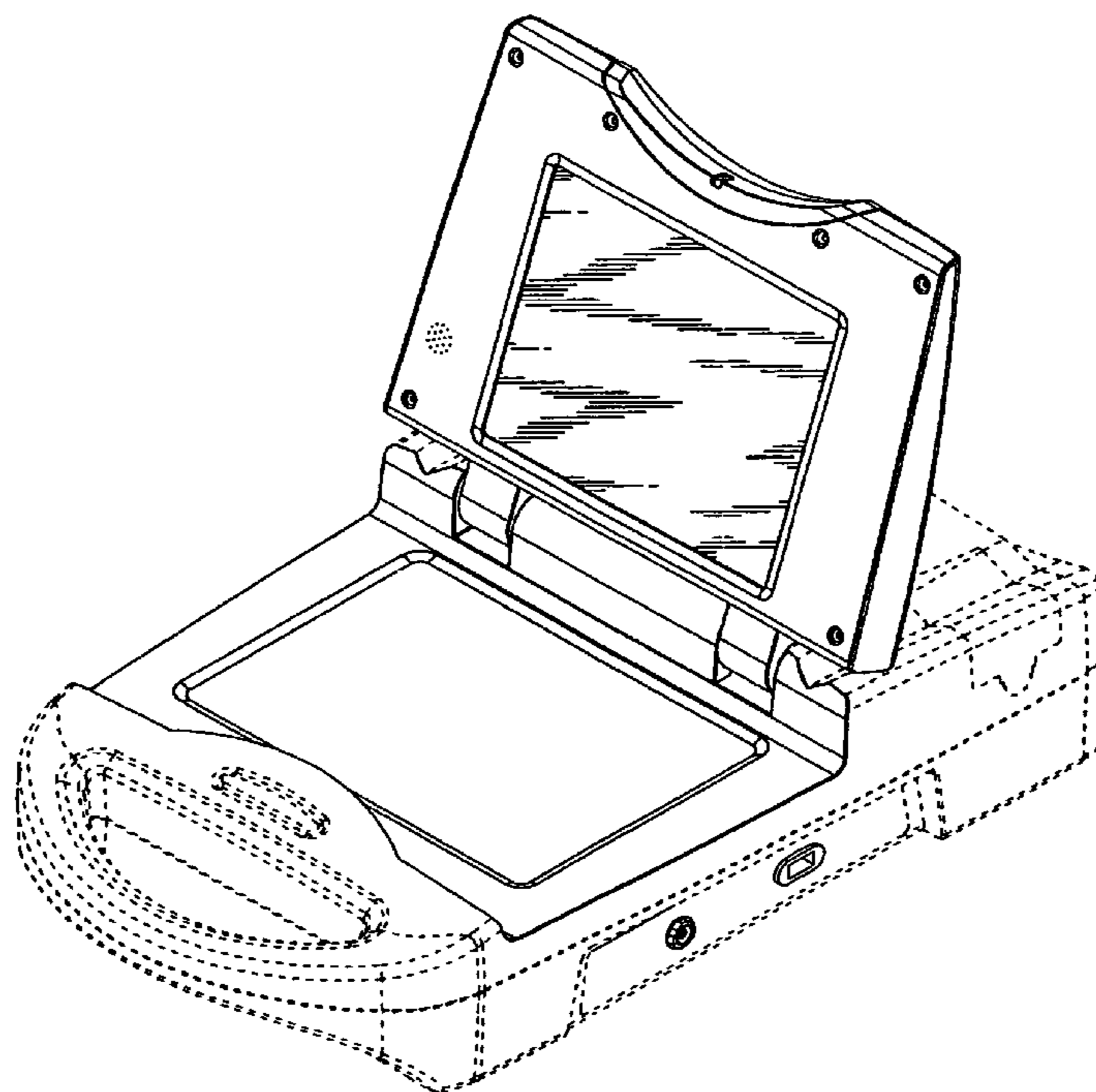
FIG. 5 is a left side view thereof;

FIG. 6 is a right side view thereof; and,

FIG. 7 is a top view thereof.

The broken lines are for illustrative purposes only and form no part of the claimed design.

1 Claim, 7 Drawing Sheets



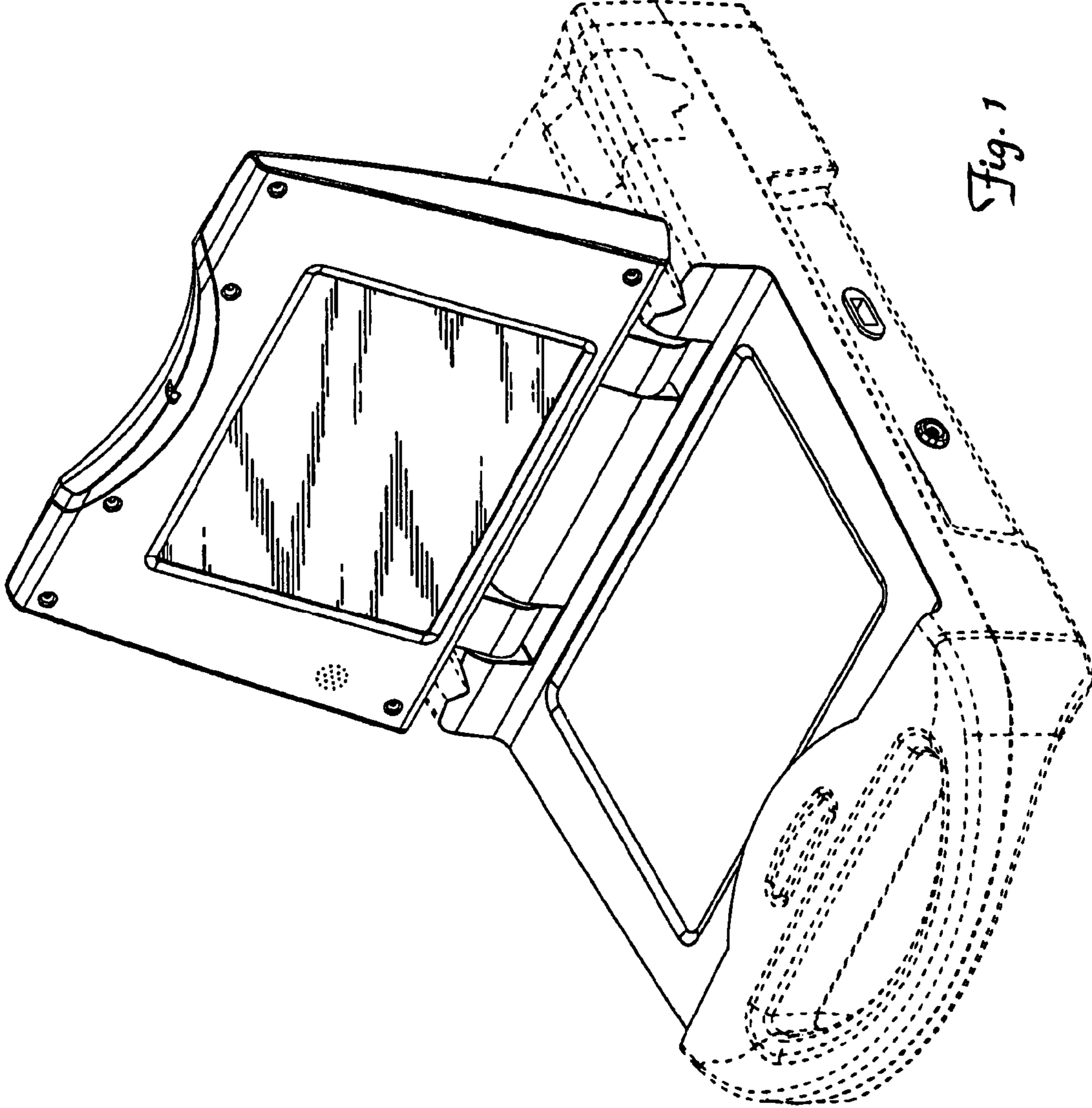


Fig. 1

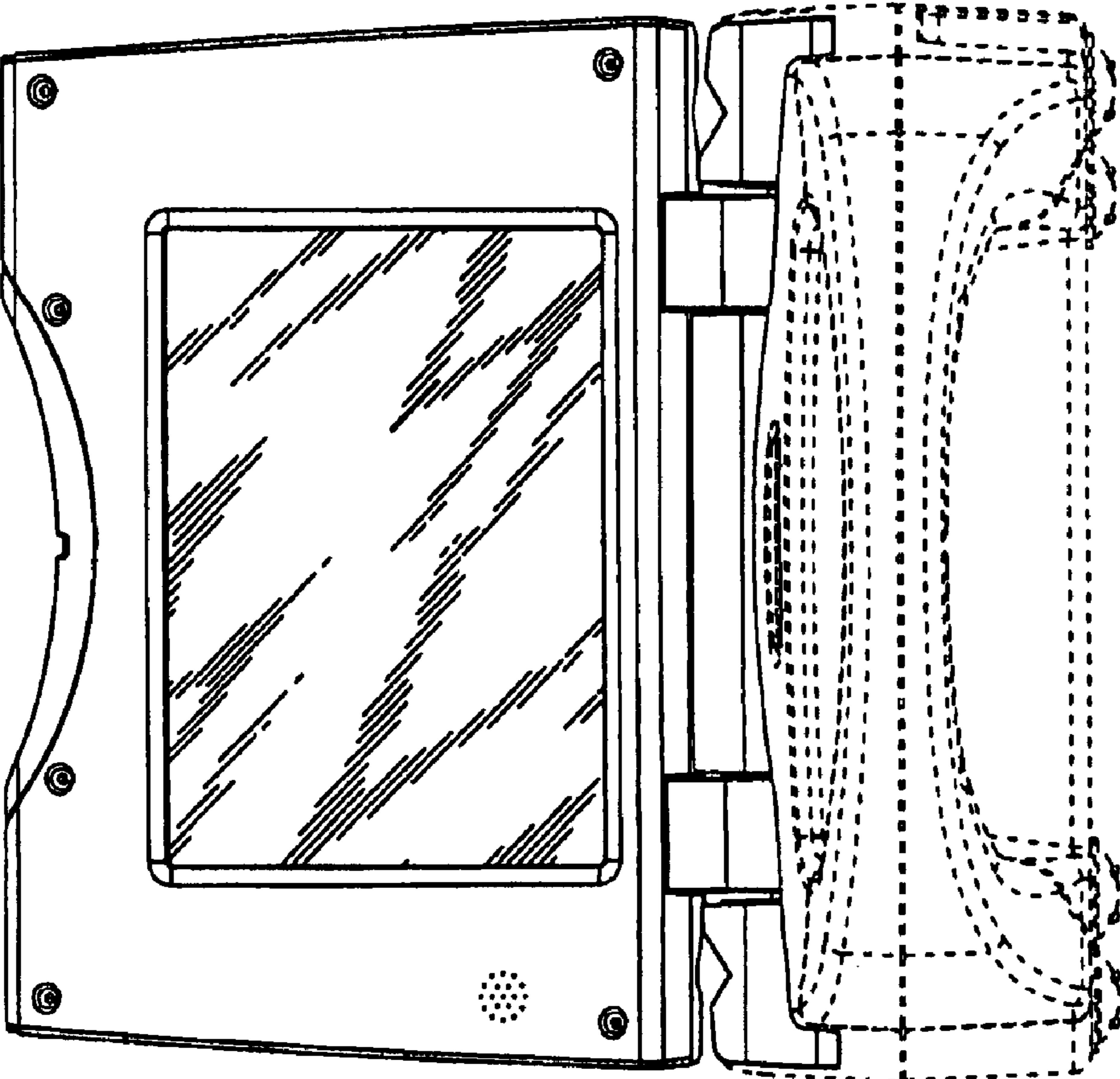


Fig. 2

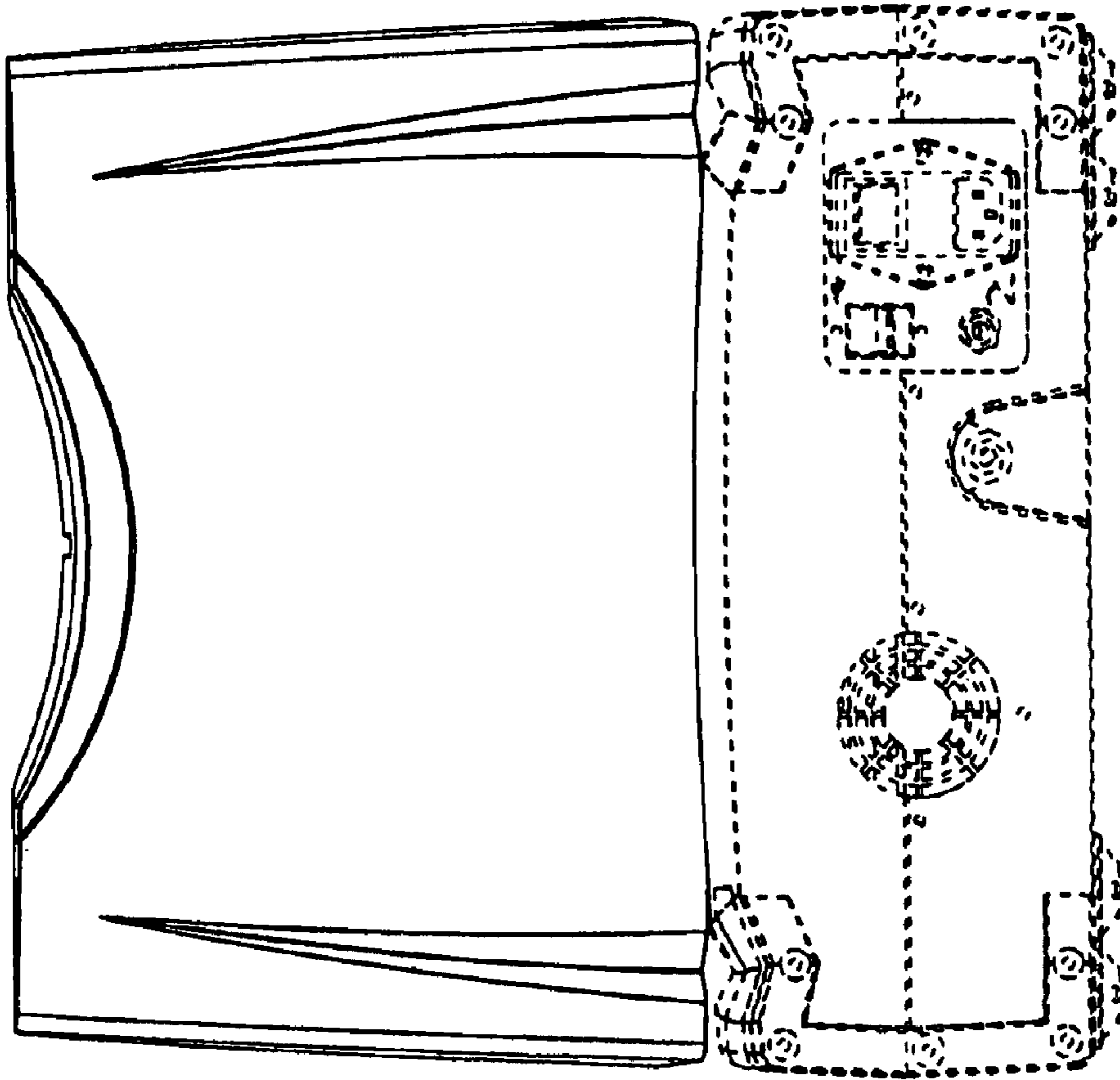


Fig. 3

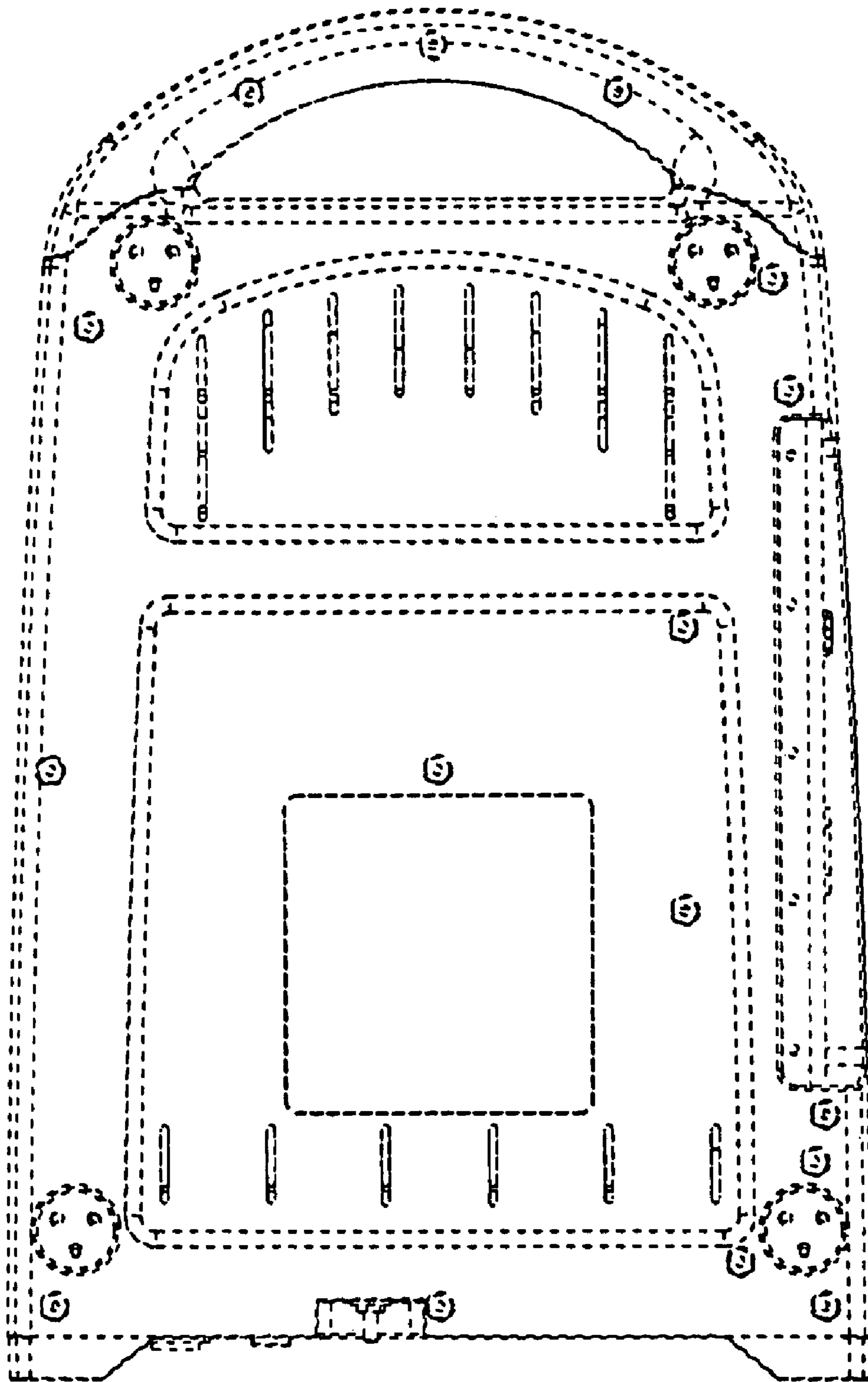


Fig. 4

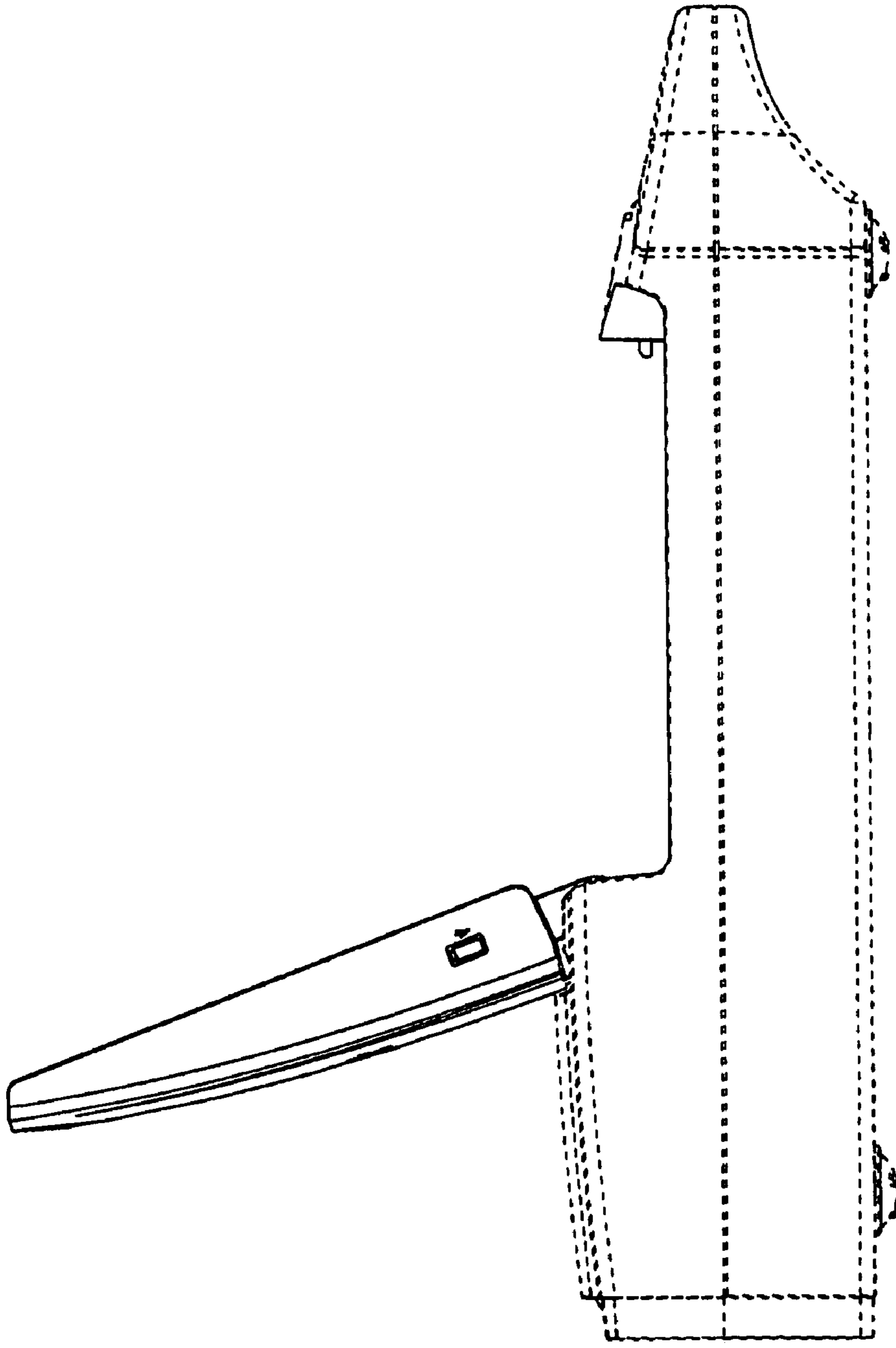


Fig. 5

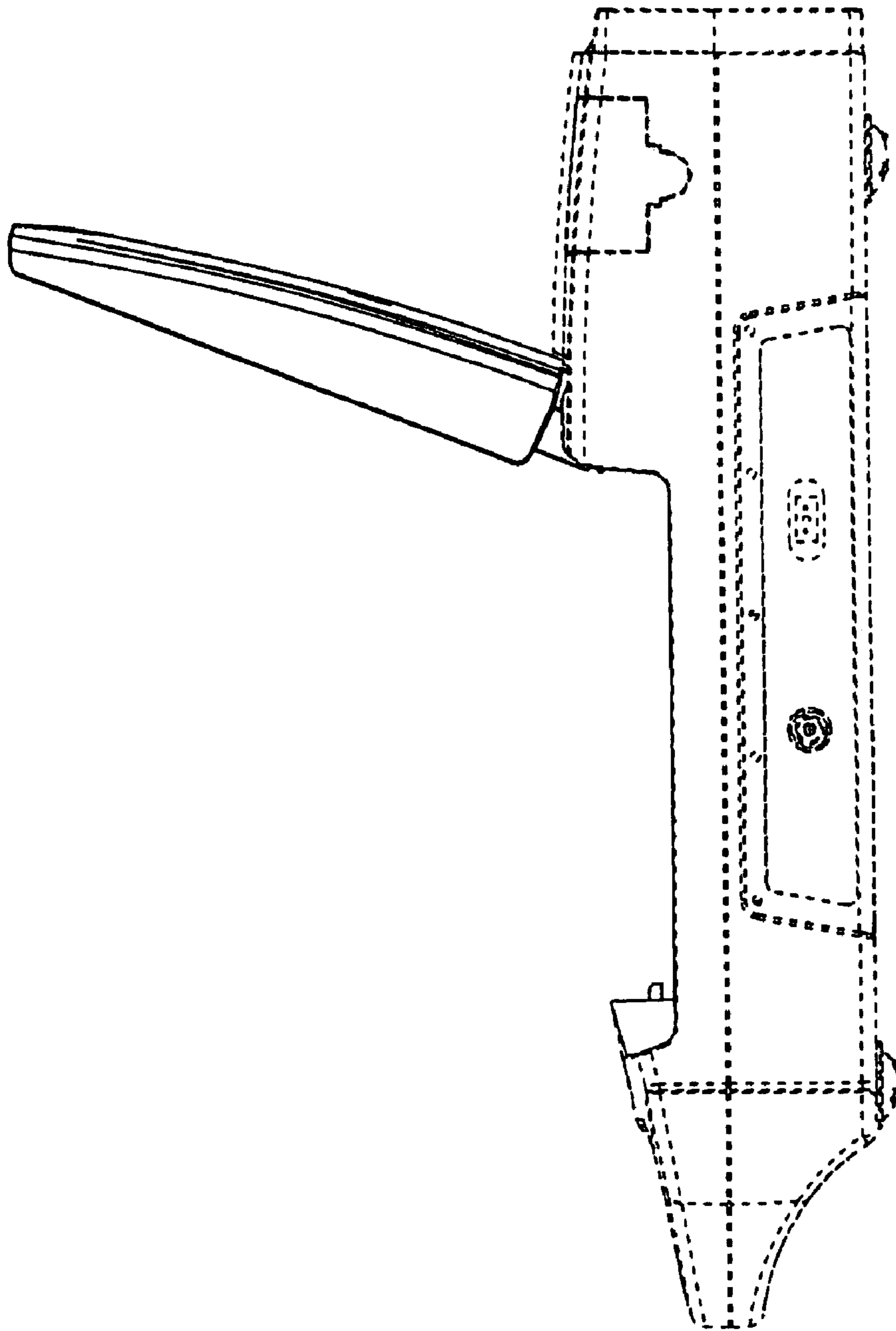


Fig. 6

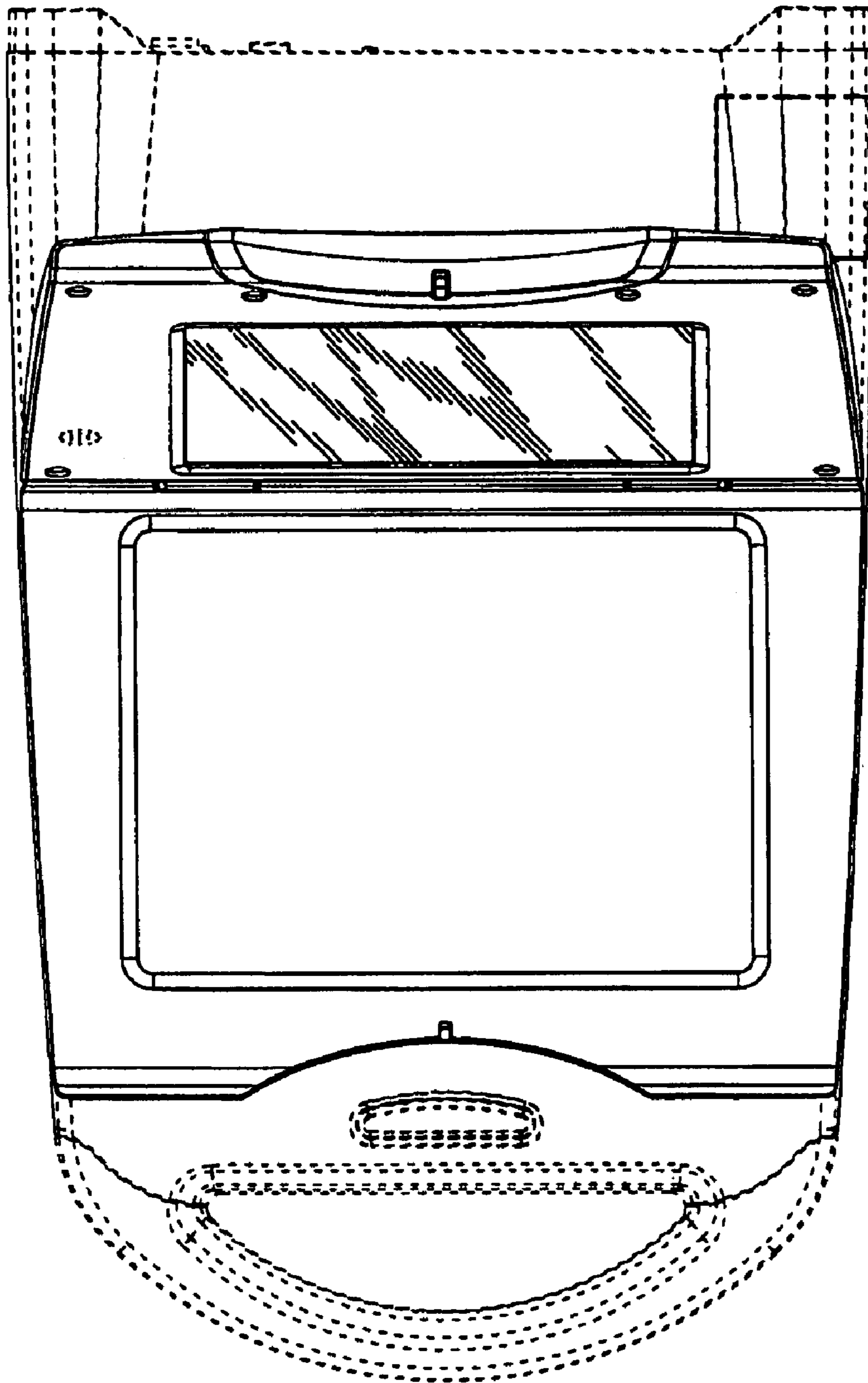


Fig. 7