



US00D560279S

(12) **United States Design Patent**
Eda et al.

(10) **Patent No.:** **US D560,279 S**
(45) **Date of Patent:** **** Jan. 22, 2008**

(54) **SPHYGMOMANOMETER**

(75) Inventors: **Kenji Eda**, Osaka (JP); **Takahide Tanaka**, Shiga (JP); **Tetsuya Nakada**, Osaka (JP); **Takefumi Nakanishi**, Kyoto (JP); **Hiroya Nakanishi**, Kyoto (JP); **Tadashi Koike**, Kyoto (JP); **Chiaki Murata**, Osaka (JP)

(73) Assignee: **Omron Healthcare Co., Ltd.**, Kyoto (JP)

(**) Term: **14 Years**

(21) Appl. No.: **29/258,487**

(22) Filed: **Apr. 24, 2006**

Related U.S. Application Data

(62) Division of application No. 29/212,055, filed on Aug. 26, 2004.

(30) **Foreign Application Priority Data**

Feb. 27, 2004 (JP) D2004-5957
Feb. 27, 2004 (JP) D2004-5958
Feb. 27, 2004 (JP) D2004-5959
Feb. 27, 2004 (JP) D2004-5960
Feb. 27, 2004 (JP) D2004-5961
Feb. 27, 2004 (JP) D2004-5962

(51) **LOC (8) Cl.** **24-02**

(52) **U.S. Cl.** **D24/165**

(58) **Field of Classification Search** D24/165,
D24/186, 183; 600/480, 485, 490-492, 494,
600/495, 499; D6/601; 5/631, 646
See application file for complete search history.

(56) **References Cited**

U.S. PATENT DOCUMENTS

3,935,984 A * 2/1976 Lichowsky et al. 600/499
D244,235 S * 5/1977 Lichowsky D24/165

4,058,117 A 11/1977 Kaspari et al.
D254,629 S 4/1980 Yen
D290,876 S 7/1987 Arduini et al.
D321,562 S * 11/1991 Ljungvall D24/183
D341,658 S * 11/1993 Kojima D24/165
5,511,551 A 4/1996 Sano et al.
6,213,953 B1 4/2001 Reeves
D447,568 S * 9/2001 Hall et al. D24/183
6,714,814 B2 * 3/2004 Yamada et al. 600/547
D489,113 S * 4/2004 Peterson D21/803
6,726,633 B2 4/2004 Kitagawa
2004/0193062 A1 * 9/2004 Hashimoto et al. 600/500

* cited by examiner

Primary Examiner—Joel A. Sincavage

Assistant Examiner—Anhdao Doan

(74) *Attorney, Agent, or Firm*—Dickstein Shapiro LLP

(57) **CLAIM**

The ornamental design for a sphygmomanometer, as shown and described.

DESCRIPTION

FIG. 1 is a perspective view illustrating an embodiment of our new design for a sphygmomanometer;

FIG. 2 is a top plan view of the sphygmomanometer of FIG. 1;

FIG. 3 is an edge face view of the sphygmomanometer of FIG. 2 taken along line 3—3 of FIG. 2;

FIG. 4 is a front perspective view of the sphygmomanometer of FIG. 1 with the armband opened;

FIG. 5 is a top plan view of the sphygmomanometer of FIG. 1 with the armband opened; and,

FIG. 6 is a top plan view of the sphygmomanometer of FIG. 1 with the armband removed.

The broken lines shown in FIGS. 1-6 are for illustrative purposes only and form no part of the claimed design.

1 Claim, 6 Drawing Sheets

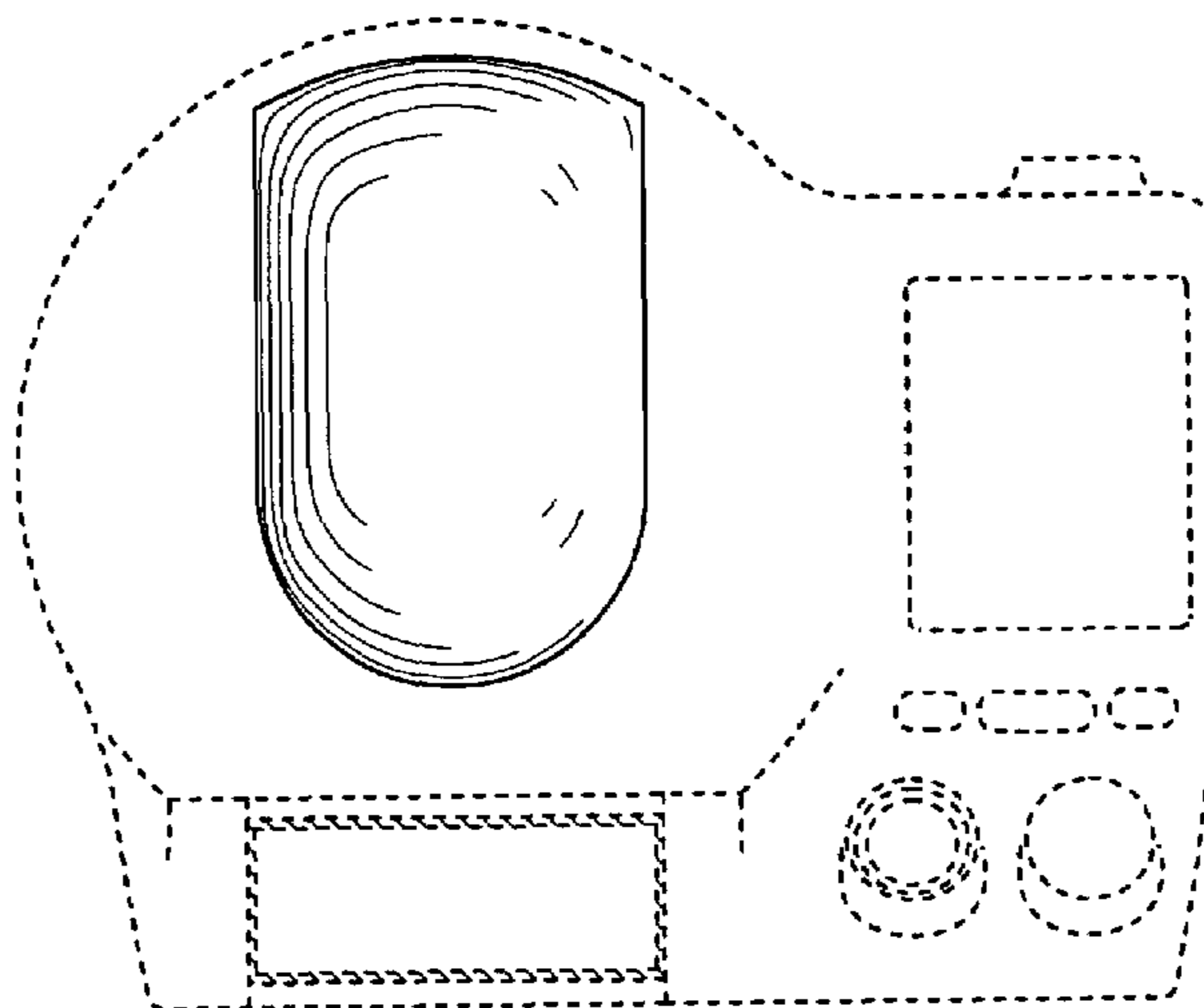


Fig. 1

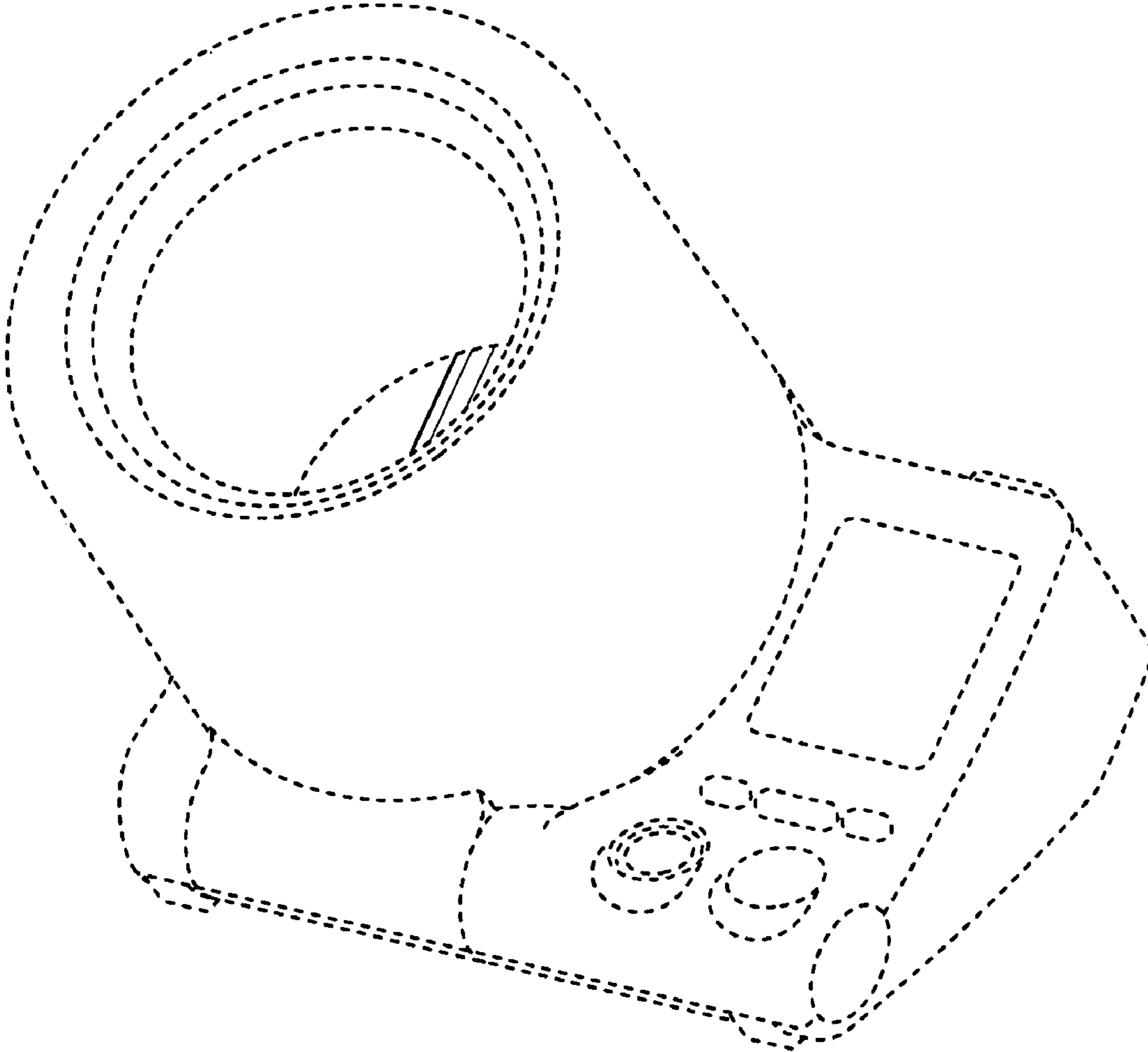


Fig. 2

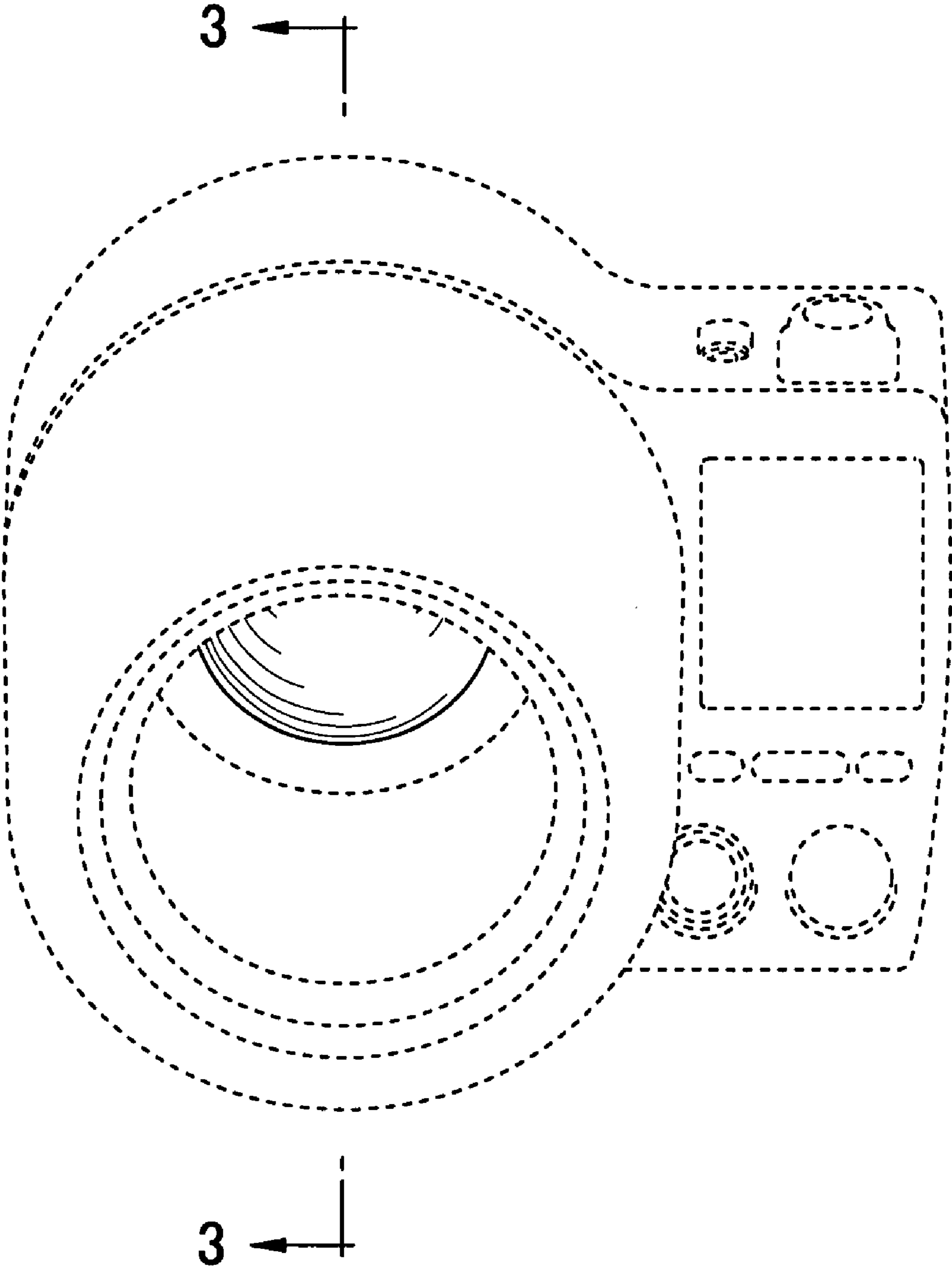


Fig. 3

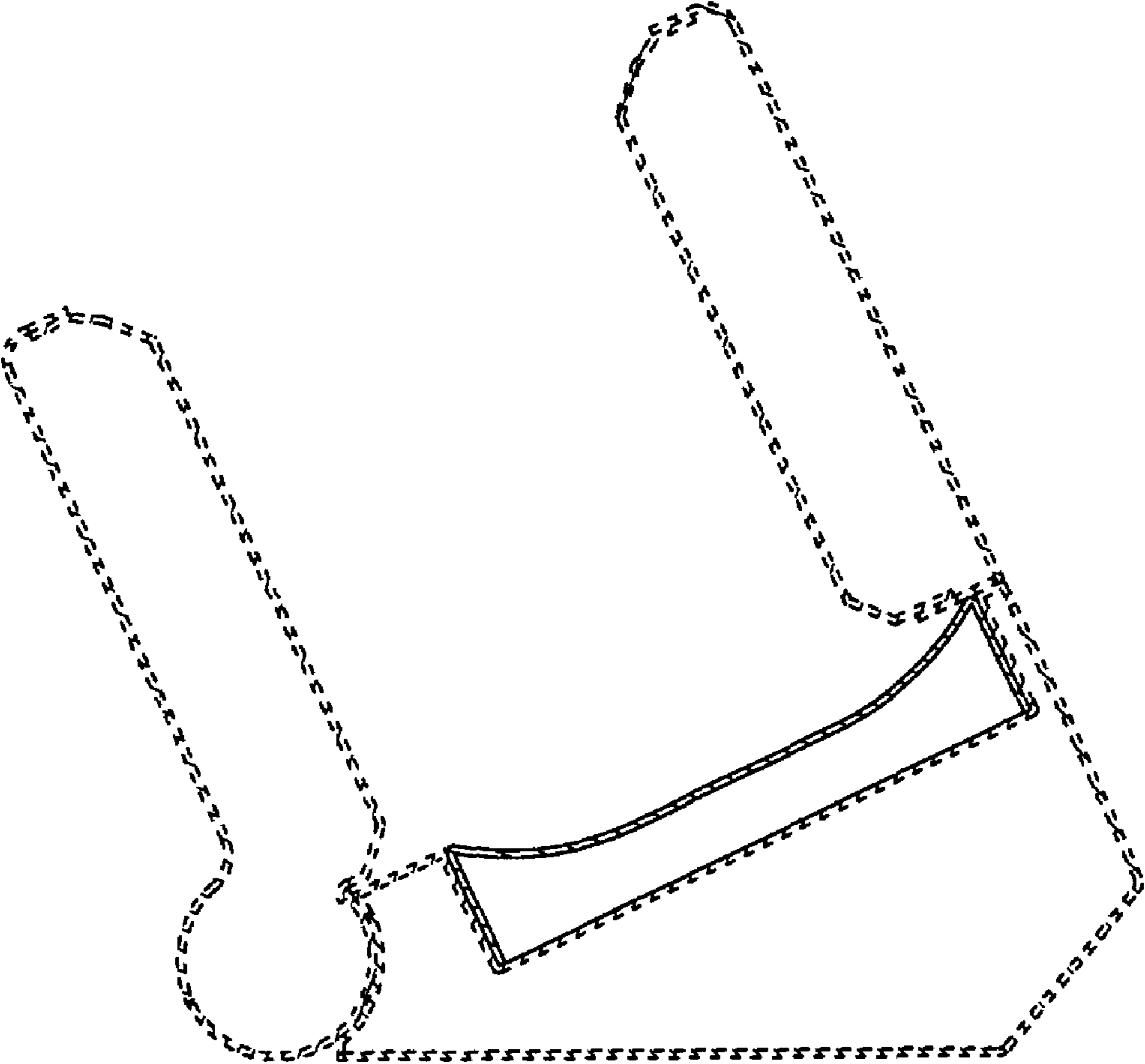


Fig. 4

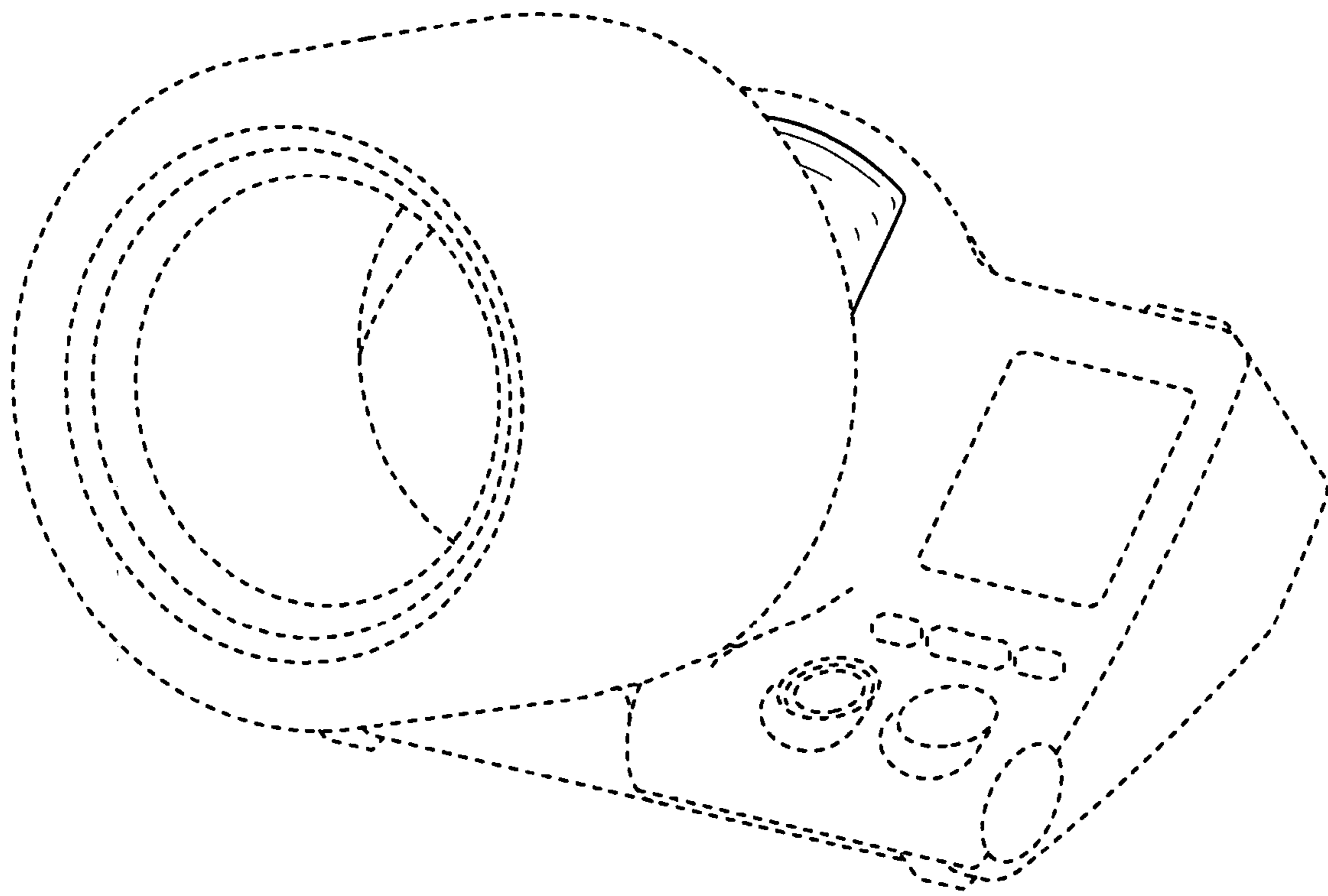


Fig. 5

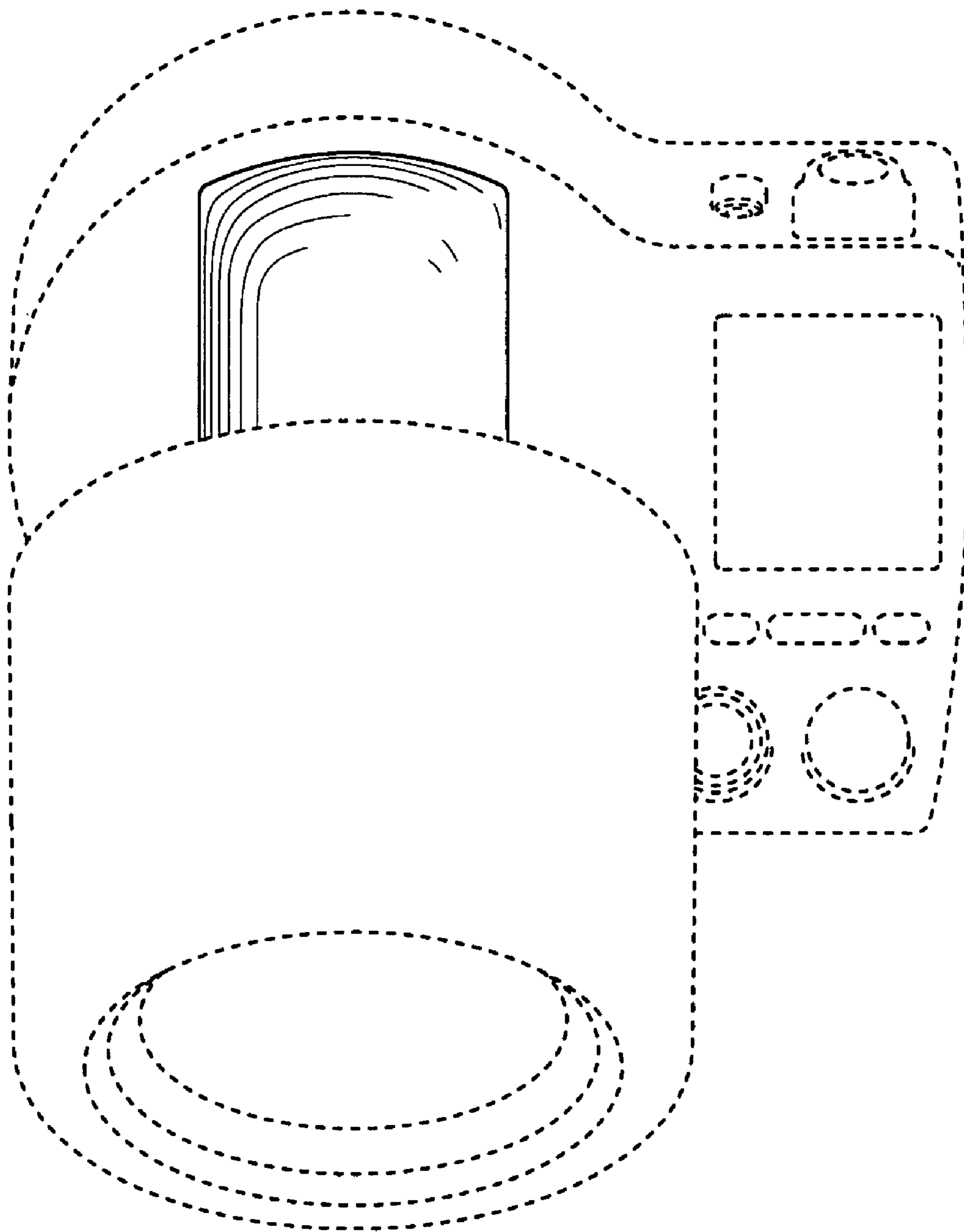


Fig. 6

