



US00D560276S

(12) **United States Design Patent**  
**Whittenberger**

(10) **Patent No.:** **US D560,276 S**  
(45) **Date of Patent:** **\*\* Jan. 22, 2008**

(54) **HEAT EXCHANGER**

(75) Inventor: **William A. Whittenberger,**  
Leavittsburg, OH (US)

(73) Assignee: **Catacel Corp.,** Garrettsville, OH (US)

(\*\*) Term: **14 Years**

(21) Appl. No.: **29/280,526**

(22) Filed: **May 30, 2007**

**Related U.S. Application Data**

(63) Continuation of application No. 11/225,763, filed on  
Sep. 13, 2005.

(51) **LOC (8) Cl.** ..... **23-04**

(52) **U.S. Cl.** ..... **D23/386**

(58) **Field of Classification Search** ..... D23/386,  
D23/393, 330, 323, 499, 341, 354, 370, 371,  
D23/373, 387, 328, 355, 399, 383; 165/58,  
165/59, 66, 104.11, 104.13, 177, 164-167,  
165/102; 422/198; 454/237, 231-234, 236,  
454/333; 62/419, 297; 285/424, 133.6;  
138/DIG. 10

See application file for complete search history.

(56) **References Cited**

**U.S. PATENT DOCUMENTS**

- 2,216,864 A \* 10/1940 Wasmund ..... 285/133.6
- D156,294 S \* 11/1949 Trow ..... D23/328
- 2,553,030 A \* 5/1951 Bell ..... 165/166
- D165,089 S \* 11/1951 McElgin ..... D23/370
- 2,905,201 A \* 9/1959 McNaughton ..... 285/424
- 2,963,783 A \* 12/1960 Field ..... 285/424
- 3,059,563 A \* 10/1962 Larson ..... D23/370
- 3,165,152 A \* 1/1965 Jones ..... 165/166
- 3,847,211 A \* 11/1974 Fischel et al. .... 165/166

- 3,907,050 A \* 9/1975 Mullings ..... 62/297
- 4,126,268 A \* 11/1978 Vitale ..... 454/233
- D252,641 S \* 8/1979 LaZar ..... D23/370
- D253,067 S \* 10/1979 Hartley ..... D23/399
- D256,156 S \* 7/1980 Garritson ..... D23/393
- D279,029 S \* 5/1985 Sieverding ..... D23/383
- 4,742,957 A \* 5/1988 Mentuch ..... 165/66
- D297,044 S \* 8/1988 Van Ee ..... D23/328
- D297,359 S \* 8/1988 Schmid et al. .... D23/370
- D319,499 S \* 8/1991 Hague ..... D23/370
- 5,311,930 A \* 5/1994 Bruenn ..... 165/102
- 5,538,293 A \* 7/1996 Kolt ..... 285/424
- D398,049 S \* 9/1998 Willis ..... D23/393
- 5,893,408 A \* 4/1999 Stark ..... 165/66
- 6,364,007 B1 \* 4/2002 Fischer ..... 165/166
- 2006/0153755 A1 \* 7/2006 Obuchi et al. .... 422/198

\* cited by examiner

*Primary Examiner*—Ian Simmons

*Assistant Examiner*—David G Muller

(74) *Attorney, Agent, or Firm*—Pearne & Gordon LLP

(57) **CLAIM**

The ornamental design for a heat exchanger, as shown and  
described.

**DESCRIPTION**

FIG. 1 is a perspective view of a heat exchanger, showing  
my new design;

FIG. 2 is a front elevational view thereof;

FIG. 3 is a top view thereof;

FIG. 4 is a right side elevational view thereof;

FIG. 5 is a left side elevational view thereof;

FIG. 6 is a back elevational view thereof; and,

FIG. 7 is a bottom view thereof.

**1 Claim, 3 Drawing Sheets**

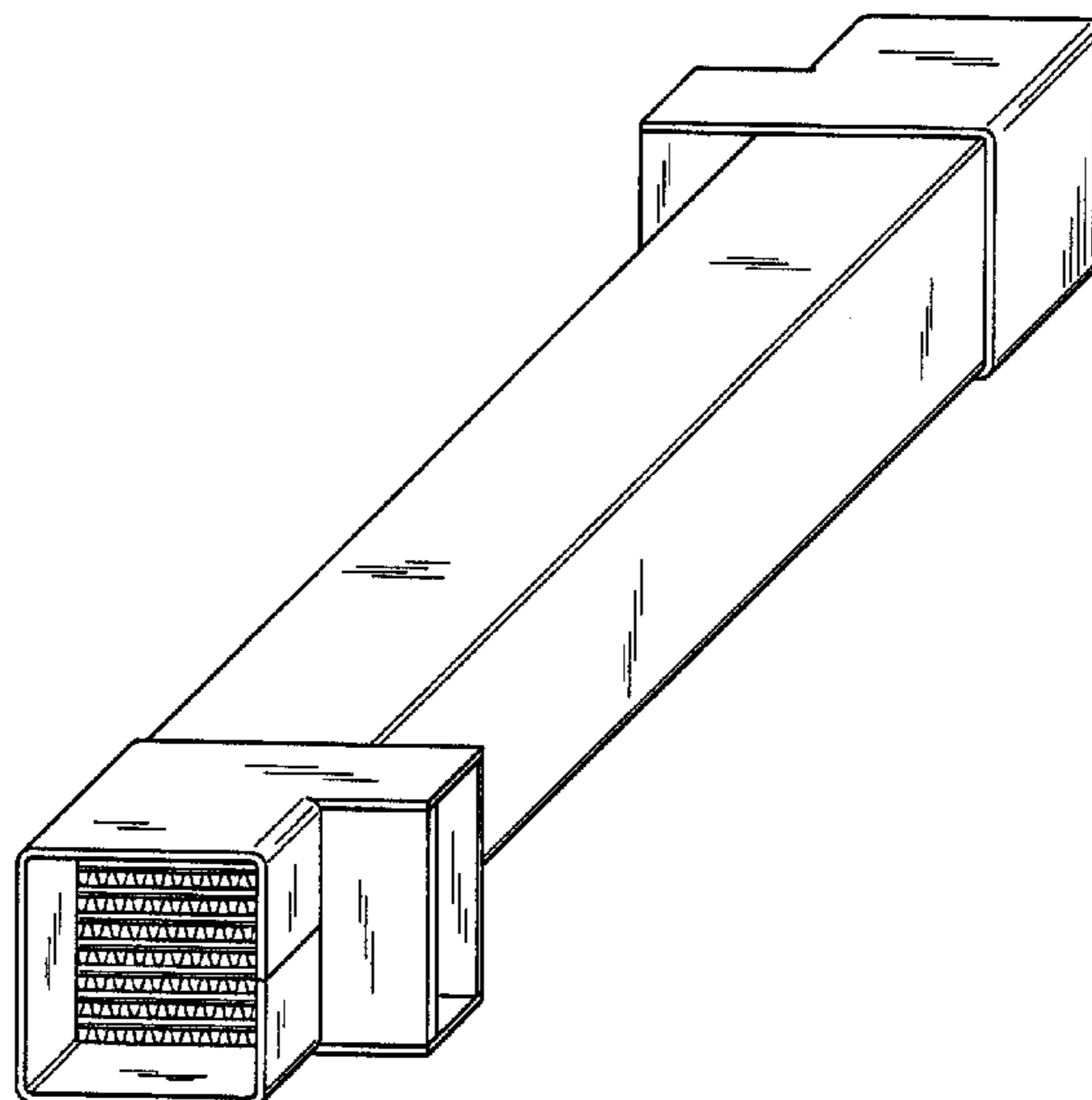
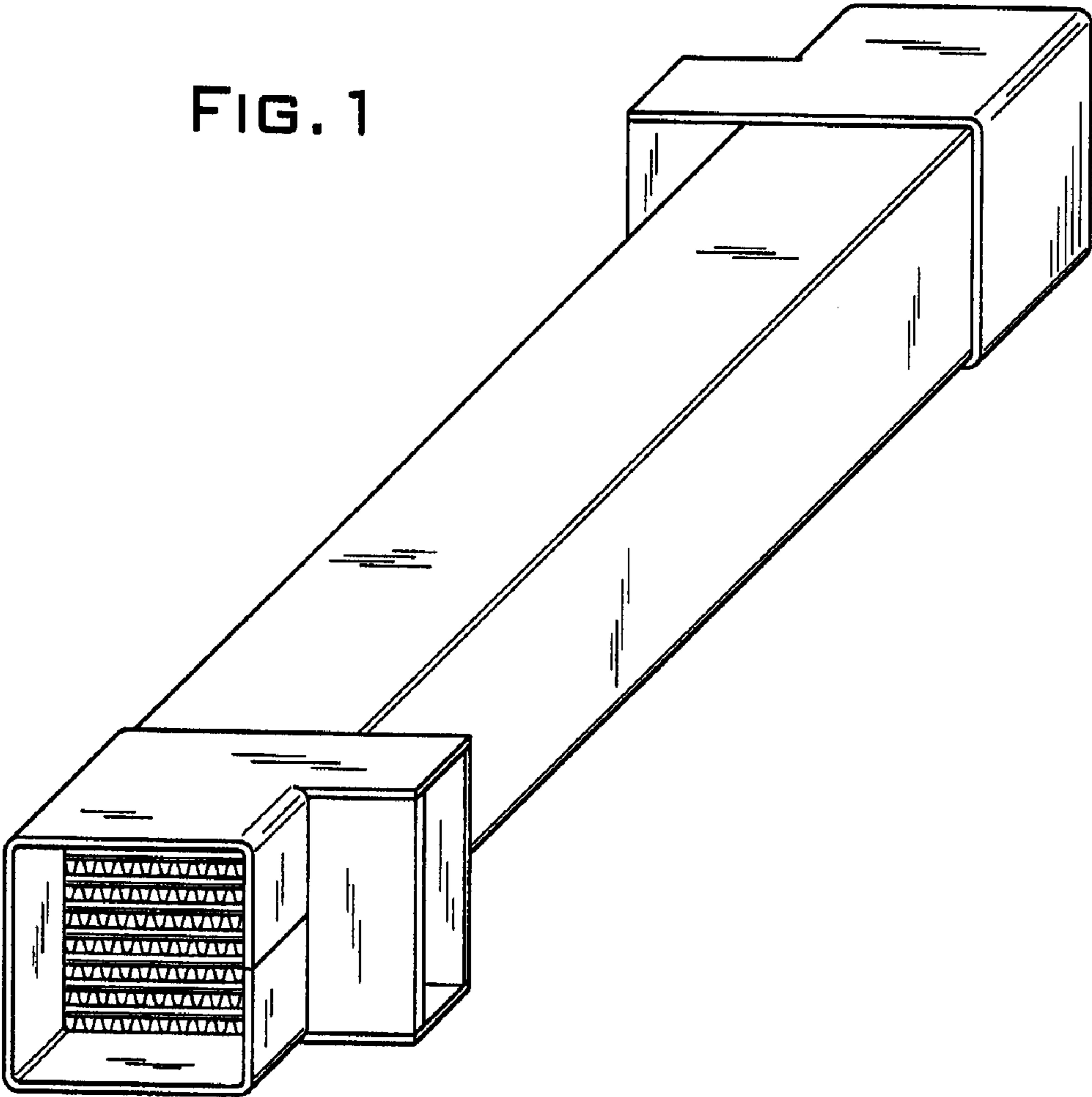


FIG. 1



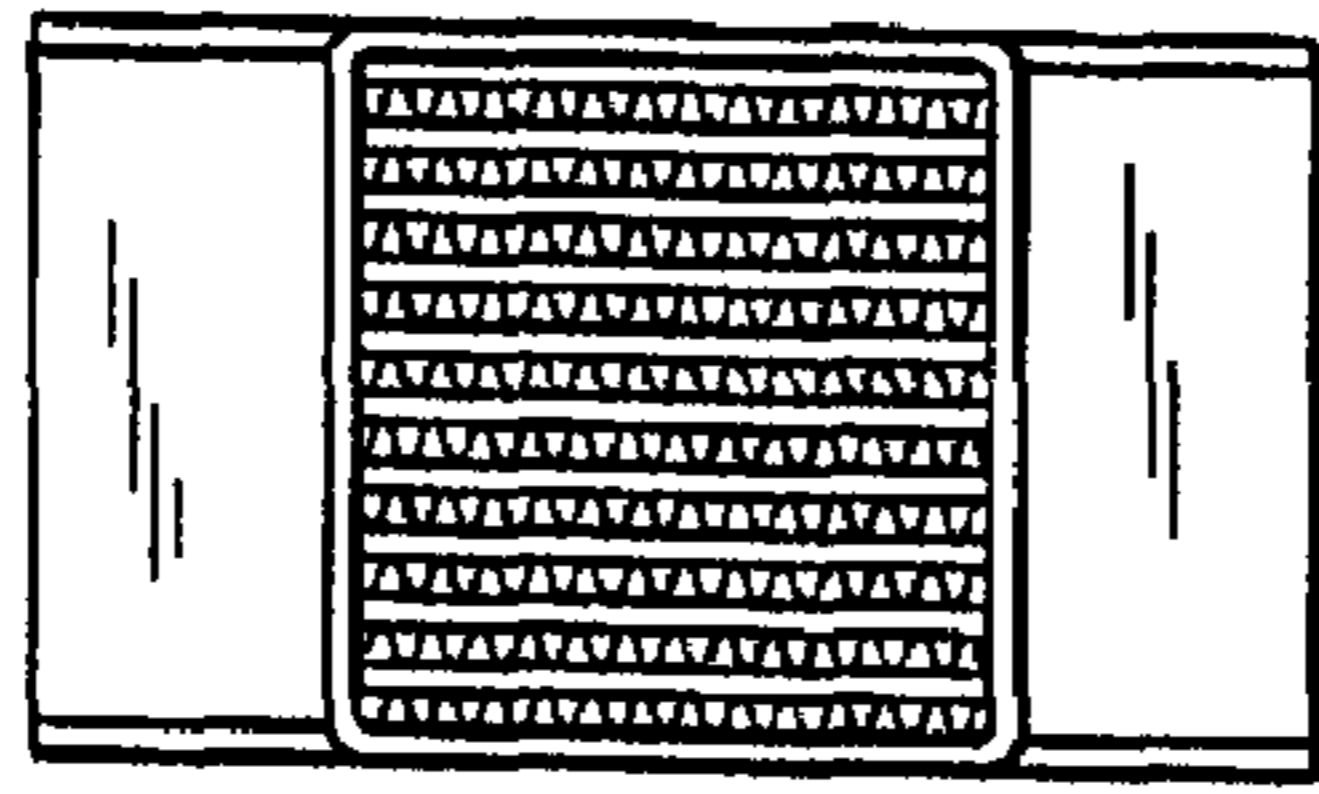


FIG. 3

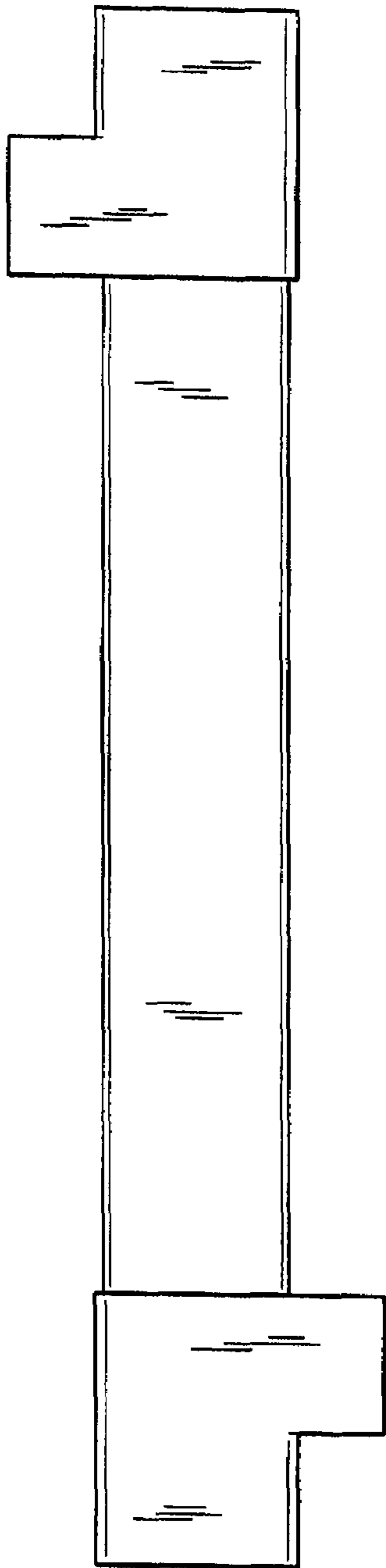


FIG. 2

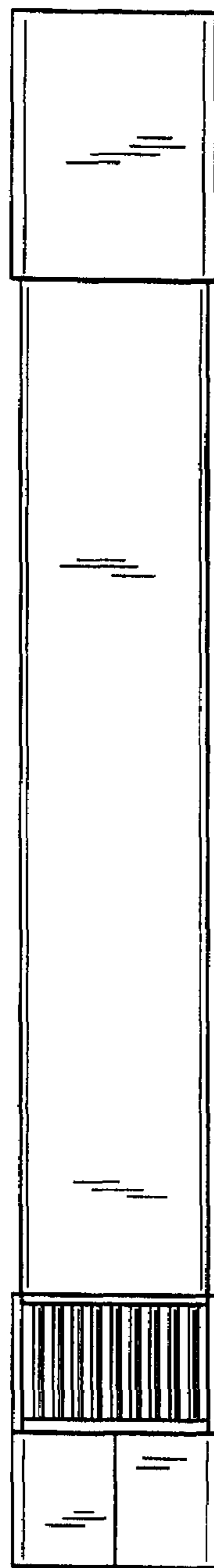


FIG. 4

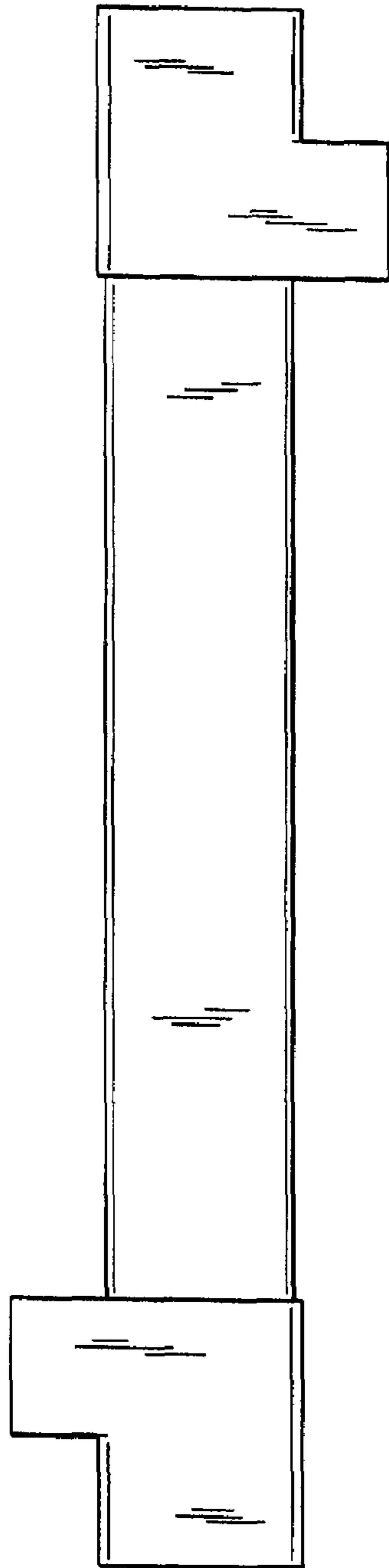


FIG. 6

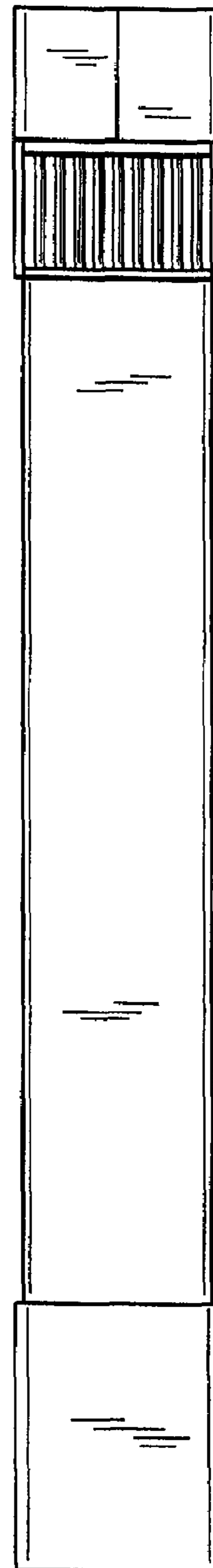


FIG. 5

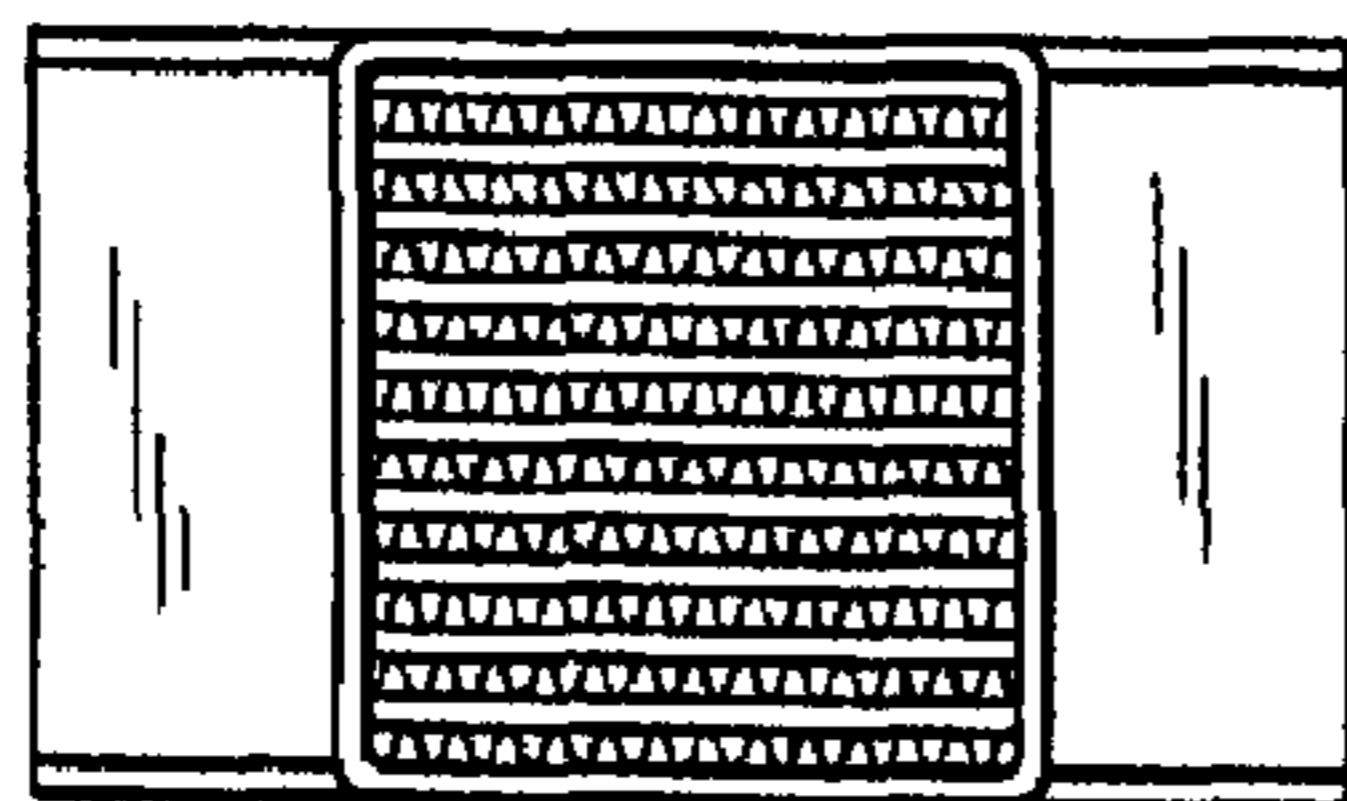


FIG. 7