

US00D560275S

(12) **United States Design Patent** (10) **Patent No.:** **US D560,275 S**  
**Glass et al.** (45) **Date of Patent:** **\*\* Jan. 22, 2008**

(54) **AIR CLEANER HOUSING**  
(75) Inventors: **Douglas Lloyd Glass**, Greenville, SC  
(US); **Chad Eric James**, Tryon, NC  
(US)  
(73) Assignee: **Onihr Manufacturing SRL**, St. James,  
West Indies (BB)

D522,021 S \* 5/2006 Miyazaki et al. .... D15/3  
D527,020 S \* 8/2006 Miyazaki et al. .... D15/3  
D529,046 S \* 9/2006 Maeda et al. .... D15/1  
D529,514 S \* 10/2006 Maeda et al. .... D15/5  
D540,819 S \* 4/2007 Schmitt et al. .... D15/5  
D540,929 S \* 4/2007 Kowis et al. .... D23/364  
D543,216 S \* 5/2007 Glass ..... D15/5

\* cited by examiner

(\*\*) Term: **14 Years**

*Primary Examiner*—Ian Simmons

*Assistant Examiner*—David G Muller

(21) Appl. No.: **29/275,786**

(74) *Attorney, Agent, or Firm*—Alston & Bird LLP

(22) Filed: **Jan. 5, 2007**

(57) **CLAIM**

(51) **LOC (8) Cl.** ..... **23-04**

The ornamental design for an air cleaner housing, as shown and described.

(52) **U.S. Cl.** ..... **D23/364**; D15/5; D23/386

(58) **Field of Classification Search** ..... D23/364,  
D23/355, 356, 359, 360, 362, 352, 366, 369,  
D23/332, 333, 335, 336, 342; D15/1, 5,  
D15/3, 13, 14, 17; 422/120, 122; 55/356,  
55/473, 504; 210/497.1; 96/97; D14/188,  
D14/170, 172; 392/79

**DESCRIPTION**

See application file for complete search history.

FIG. 1 is a perspective view of an air cleaner housing according to our new design shown in the environment of an engine;

(56) **References Cited**

FIG. 2 is a top plan view thereof;

**U.S. PATENT DOCUMENTS**

FIG. 3 is a perspective view of an air cleaner housing according to our new design;

D248,761 S \* 8/1978 Uhlinger et al. .... D15/17  
4,370,544 A \* 1/1983 Fujishima et al. .... 392/379  
D294,832 S \* 3/1988 Itou et al. .... D15/1  
D307,148 S \* 4/1990 Mikado ..... D15/1  
D309,606 S \* 7/1990 Kelly et al. .... D15/1  
D330,897 S \* 11/1992 Carlson et al. .... D15/1  
D479,532 S \* 9/2003 Kern et al. .... D15/5  
D503,723 S \* 4/2005 Giddens ..... D15/1  
D509,224 S \* 9/2005 Shiota et al. .... D15/1  
D517,672 S \* 3/2006 Schmitt et al. .... D15/5  
D521,024 S \* 5/2006 Giddens ..... D15/1  
D521,529 S \* 5/2006 Wu et al. .... D15/1

FIG. 4 is a right side elevation view thereof;

FIG. 5 is a bottom plan view view thereof;

FIG. 6 is a front plan view thereof;

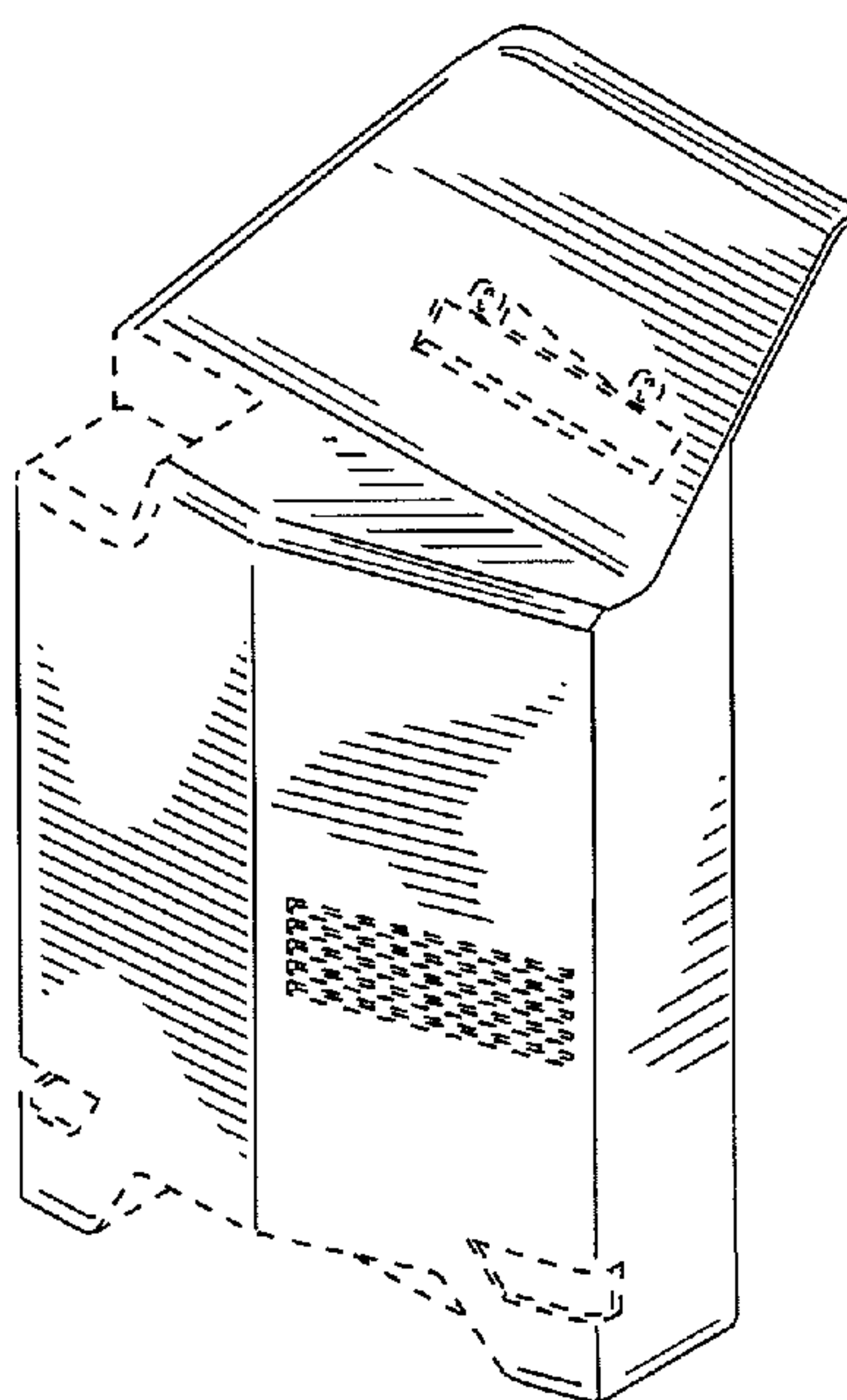
FIG. 7 is a rear plan view thereof;

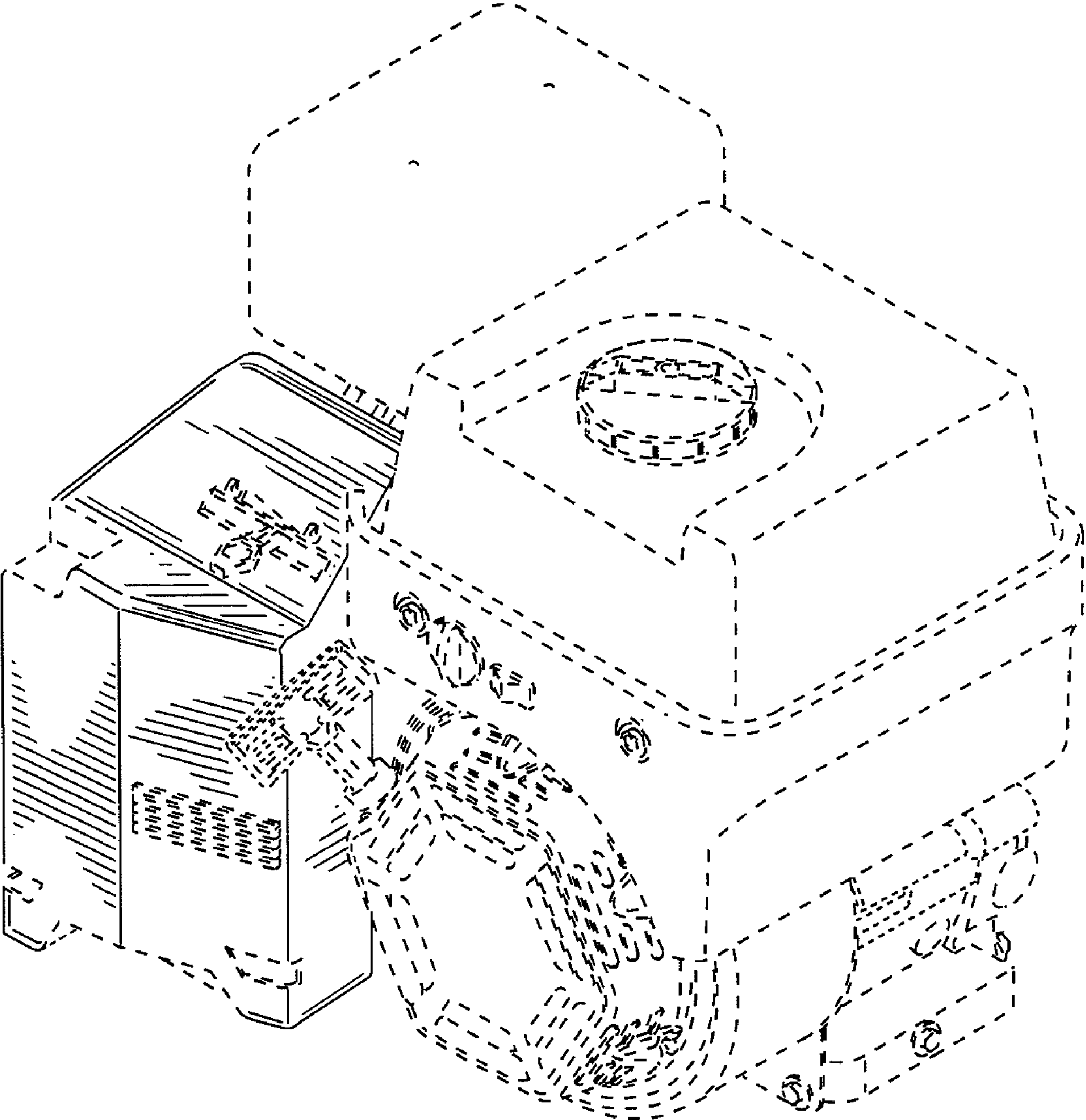
FIG. 8 is a left side elevation view thereof; and,

FIG. 9 is a top plan view thereof.

The broken lines shown herein are for illustrative purposes only and form no part of the claimed design.

**1 Claim, 9 Drawing Sheets**





**FIG. 1**

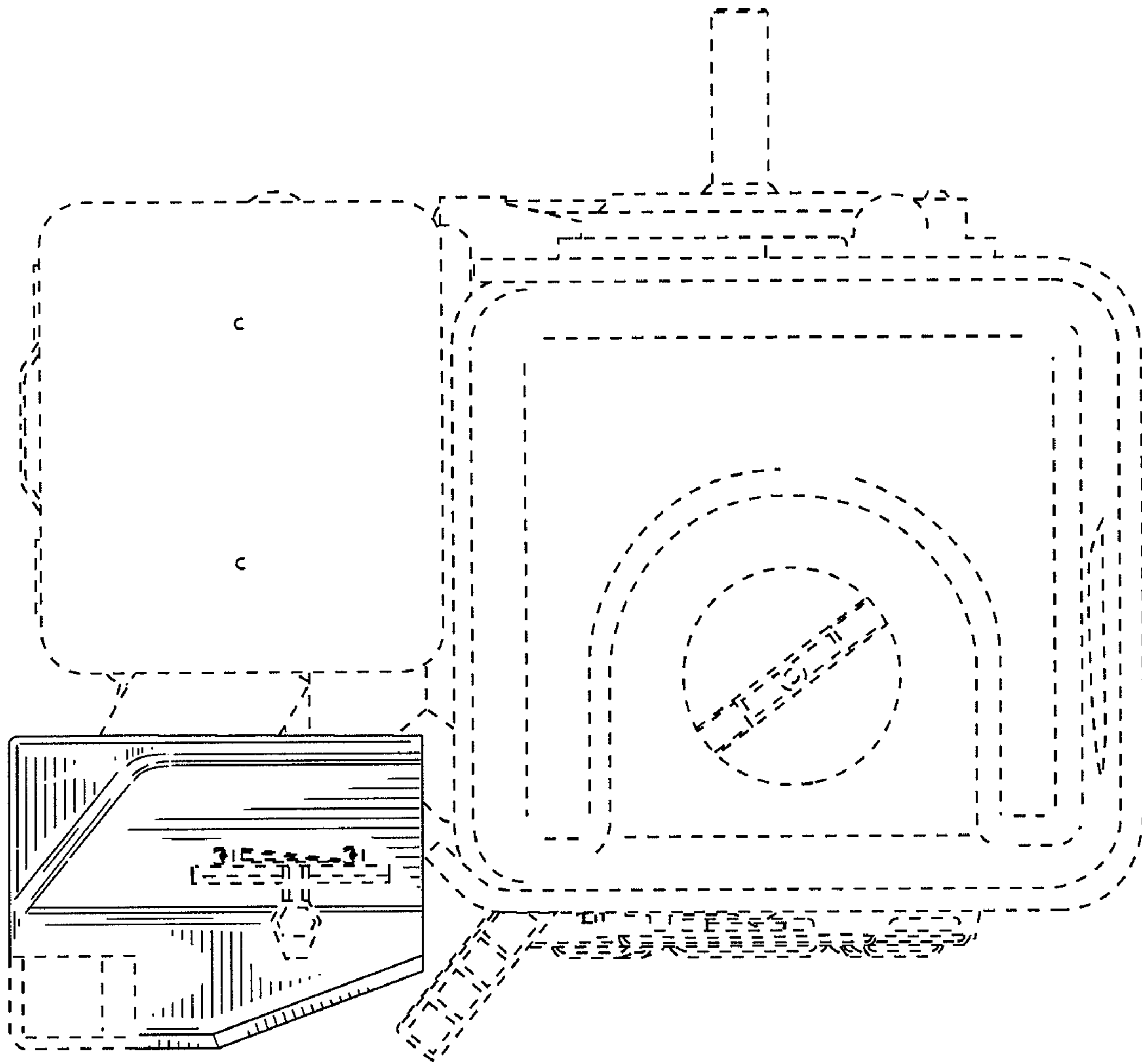
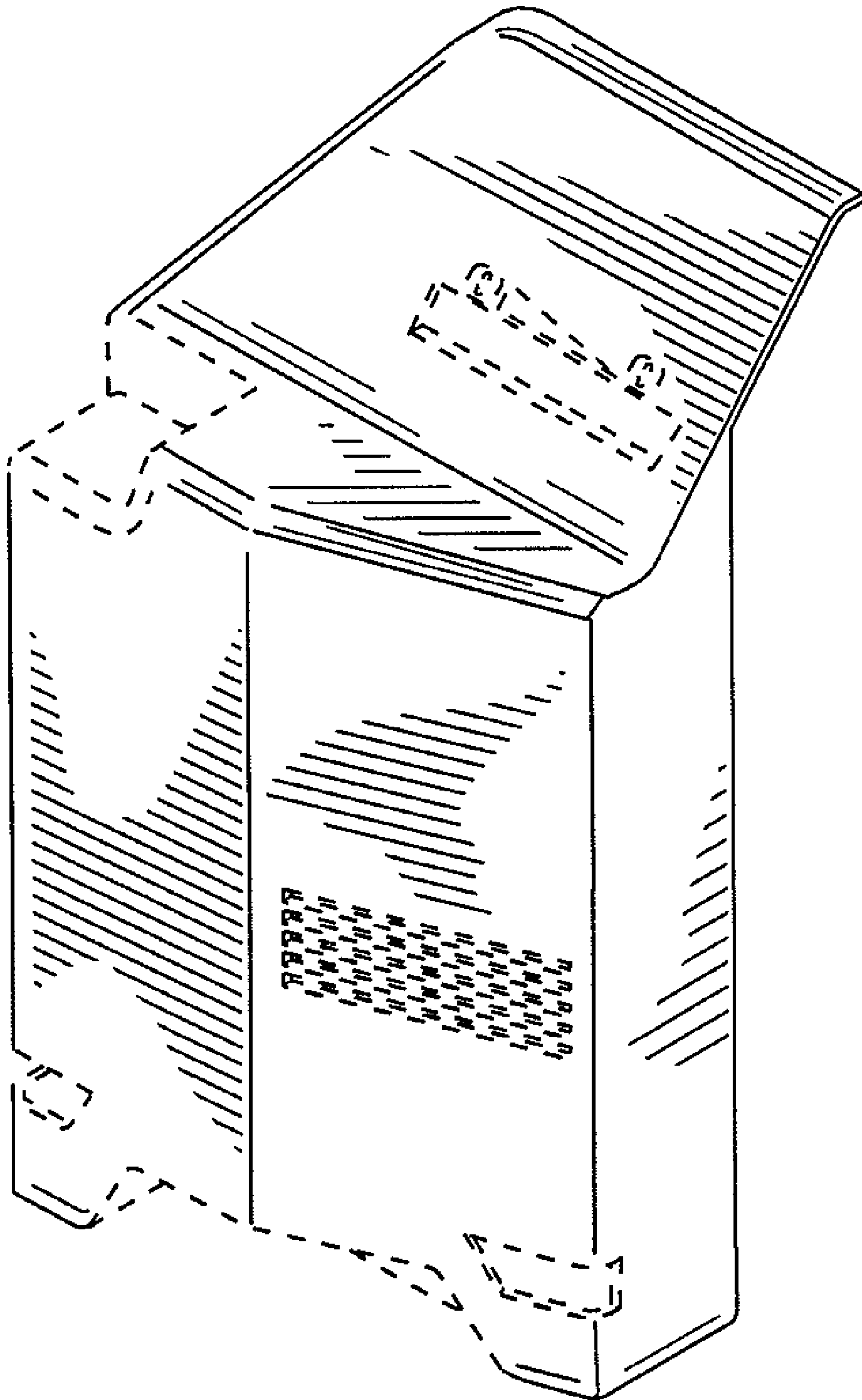
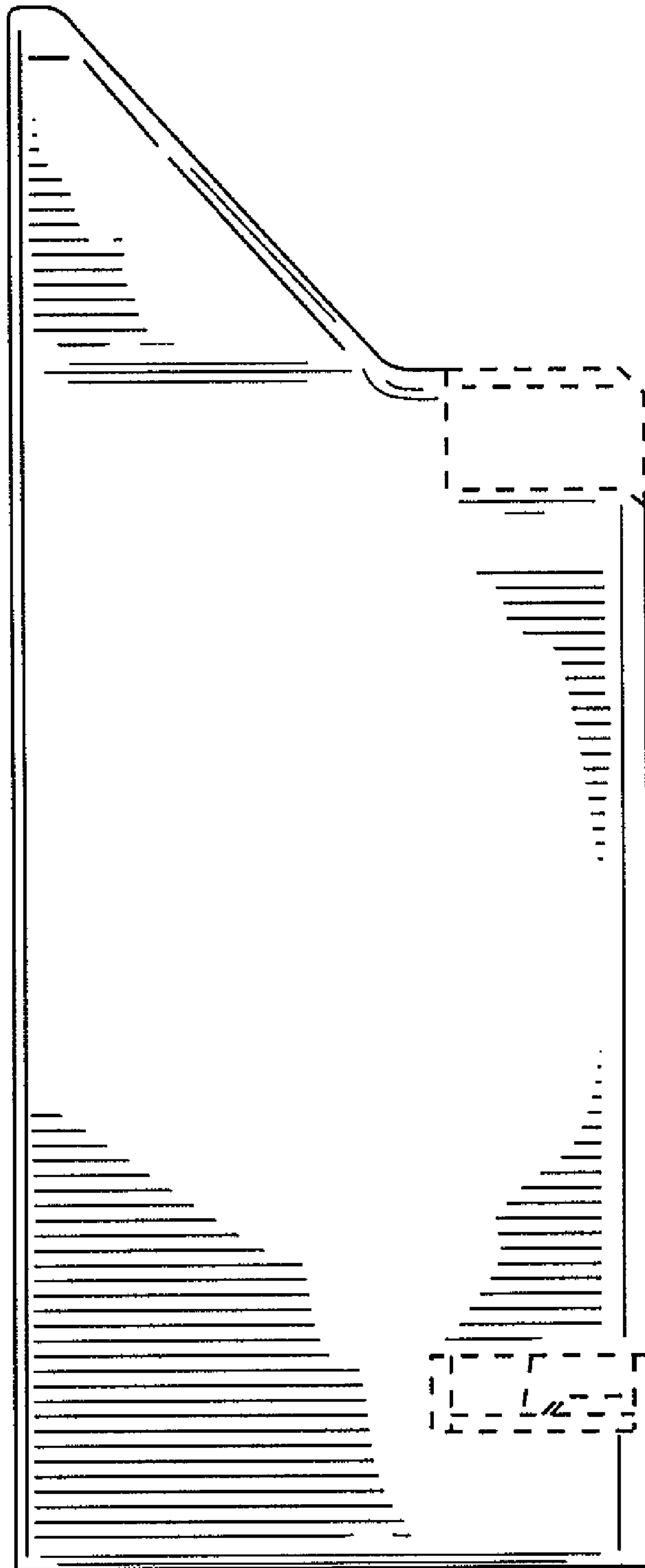


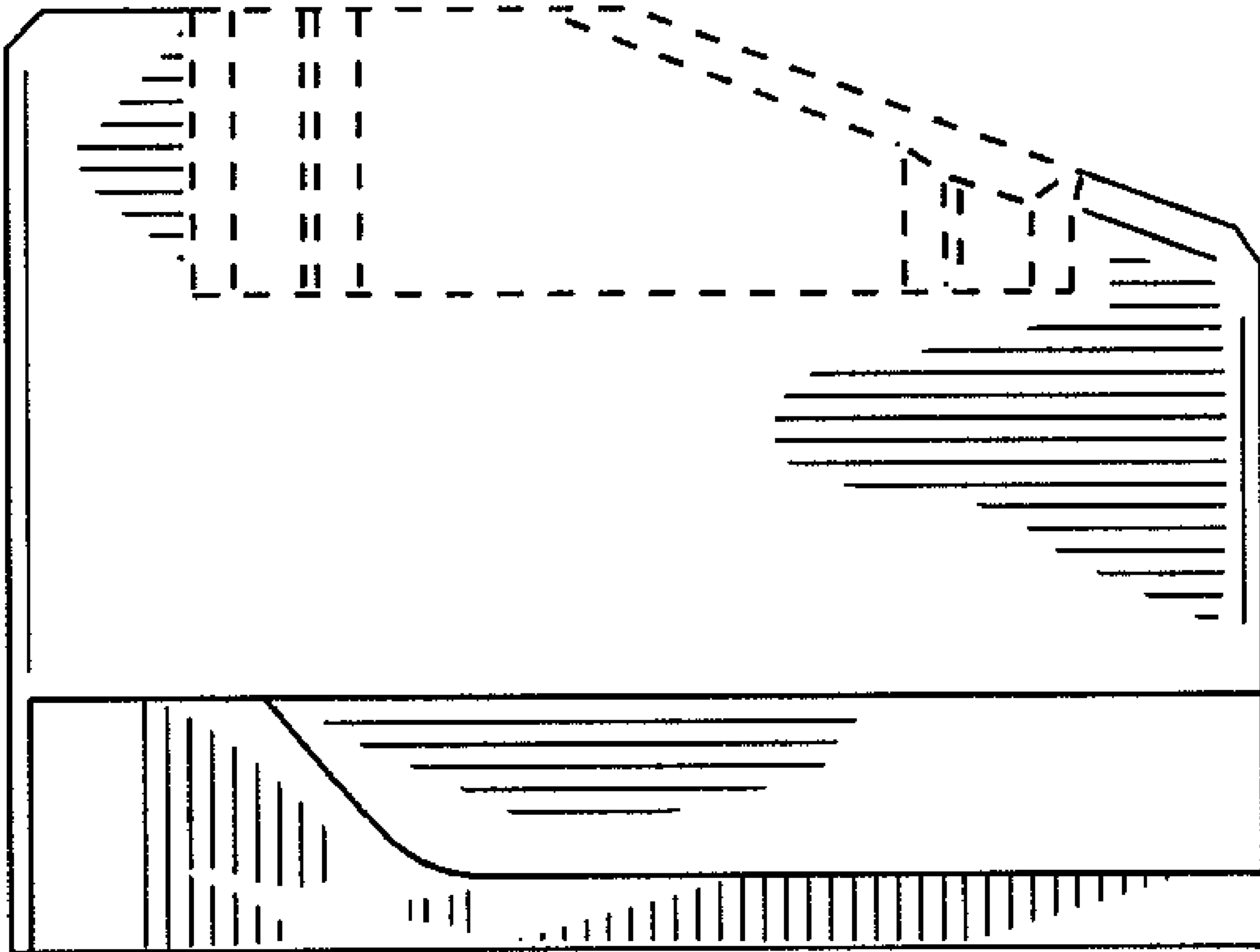
FIG. 2



**FIG. 3**

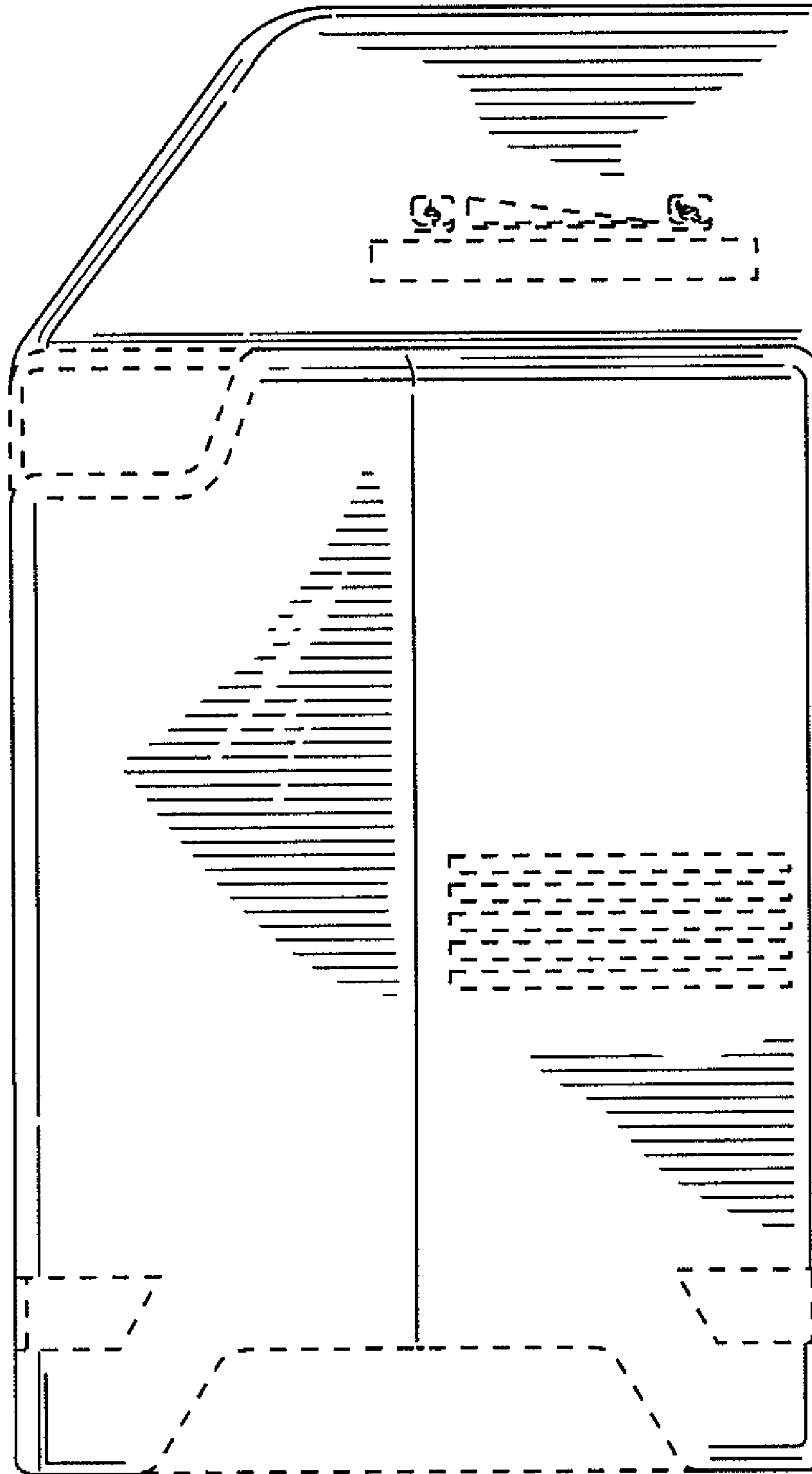


**FIG. 4**

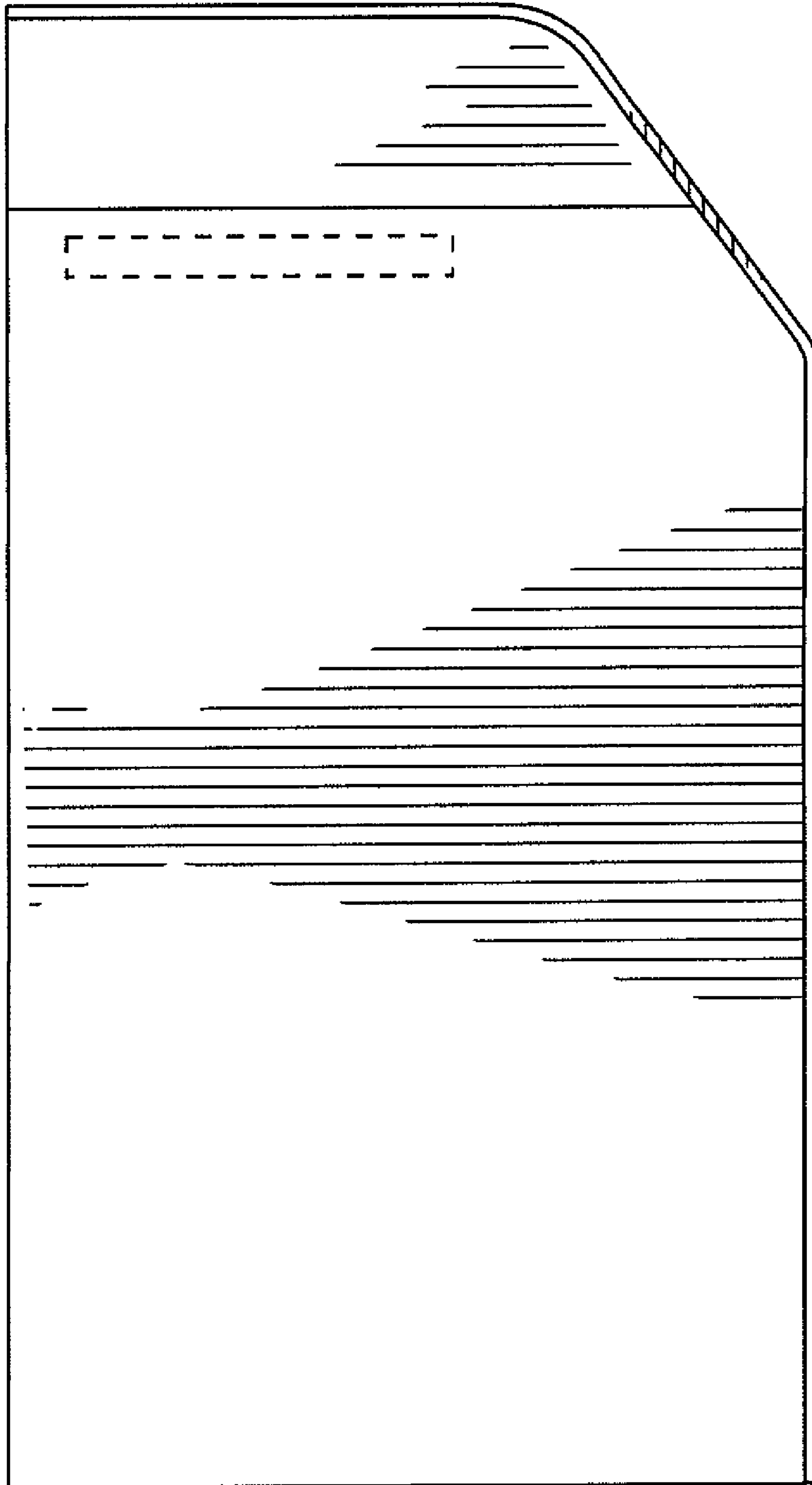


**FIG. 5**



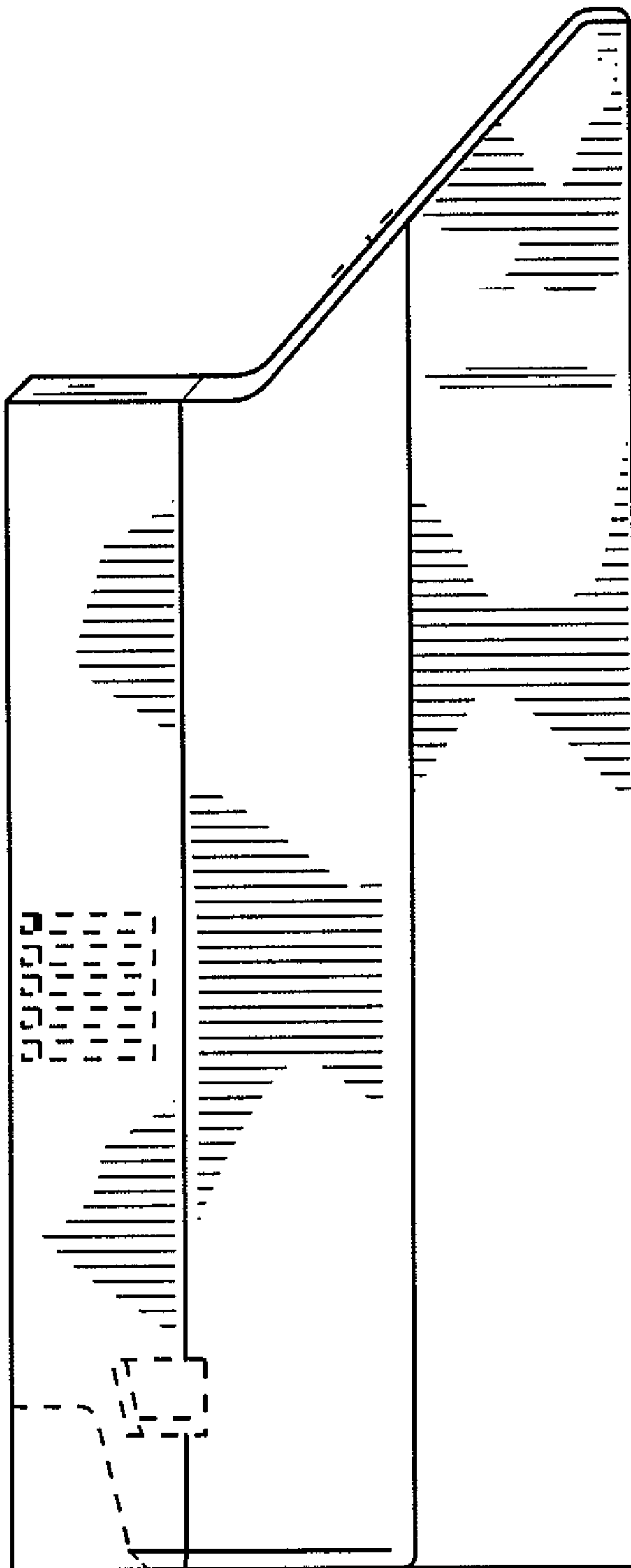


**FIG. 6**

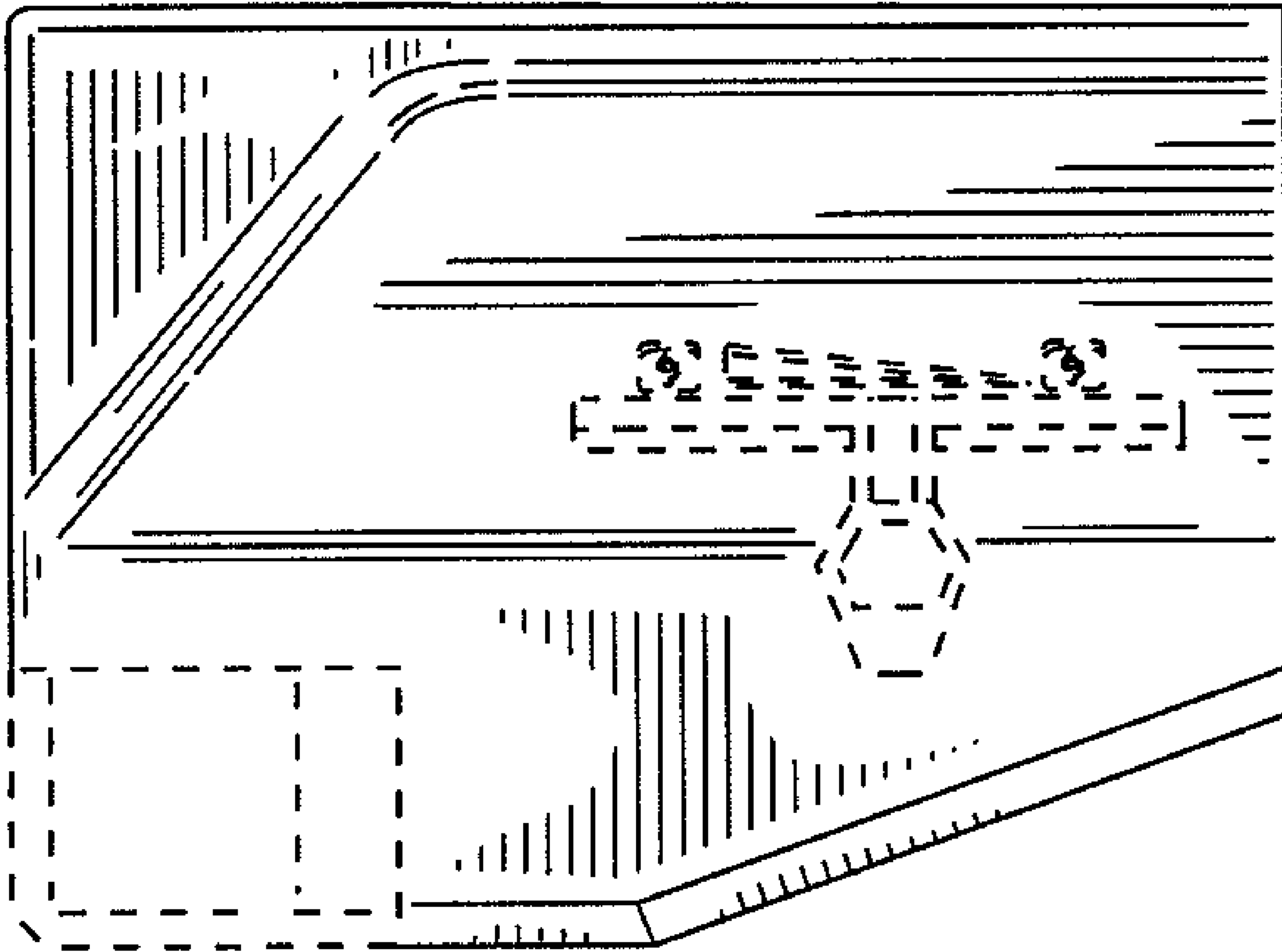


**FIG. 7**





**FIG. 8**



**FIG. 9**