



US00D560274S

(12) **United States Design Patent**
Hoang

(10) **Patent No.:** **US D560,274 S**

(45) **Date of Patent:** **** Jan. 22, 2008**

(54) **TOILET SEAT LIFT**

2004/0172744 A1* 9/2004 Mills 4/246.1
2006/0041997 A1* 3/2006 Kist et al. 4/246.1

(76) Inventor: **Trudy M. Hoang**, 8050 Fairchild Ave.,
Winnetka, CA (US) 91306

* cited by examiner

(**) Term: **14 Years**

Primary Examiner—Robert A. Delehanty

(21) Appl. No.: **29/242,520**

(57) **CLAIM**

(22) Filed: **Nov. 14, 2005**

The ornamental design for a toilet seat lift, as shown and described.

(51) **LOC (8) Cl.** **23-02**

(52) **U.S. Cl.** **D23/309**

(58) **Field of Classification Search** D23/303,
D23/309, 311; 4/238–239, 246.1, 426.3–246.5,
4/253, 902

See application file for complete search history.

DESCRIPTION

(56) **References Cited**

U.S. PATENT DOCUMENTS

1,590,298	A *	6/1926	Landis	4/246.5
D341,416	S *	11/1993	Blair	D8/307
5,404,595	A	4/1995	Carmel		
D387,141	S *	12/1997	Vargas Salas	D23/311
D389,231	S *	1/1998	Yarbrough et al.	D23/309
5,829,068	A	11/1998	Smith		
D423,089	S *	4/2000	Huerta et al.	D8/307
6,393,623	B1 *	5/2002	Strickland, Jr.	4/246.3
D483,450	S *	12/2003	Moore	D23/309

FIG. 1 is a front elevation view of a toilet seat lift showing my new design;

FIG. 2 is a rear elevation view;

FIG. 3 is a left side elevation view;

FIG. 4 is a right side elevation view;

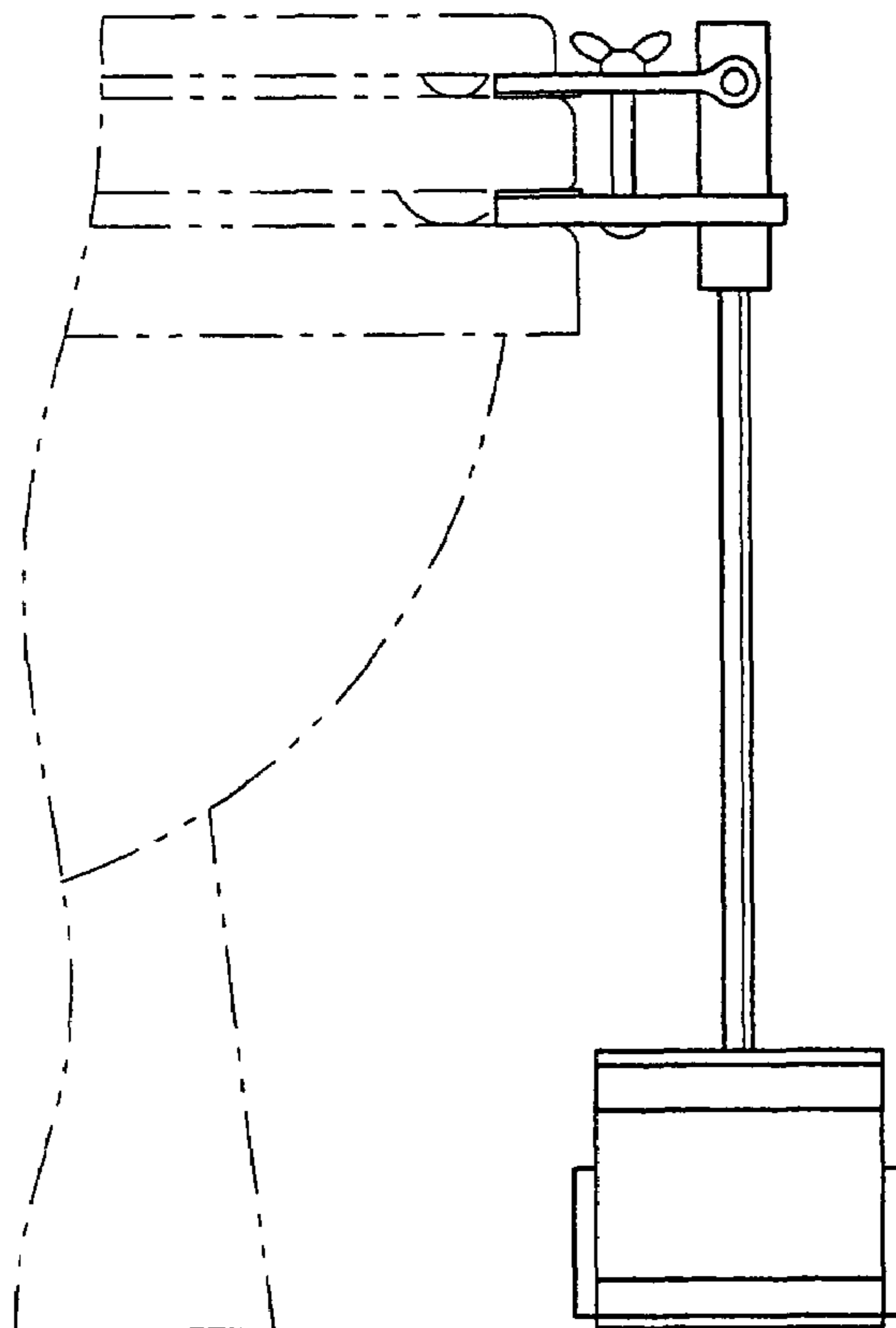
FIG. 5 is a top plan view;

FIG. 6 is a bottom plan view; and,

FIG. 7 is a left side isometric view of a toilet seat lift showing my new design.

The broken lines of an exemplary toilet shown in FIG. 1 are for illustrative purposes only and form no part of the claimed design.

1 Claim, 4 Drawing Sheets



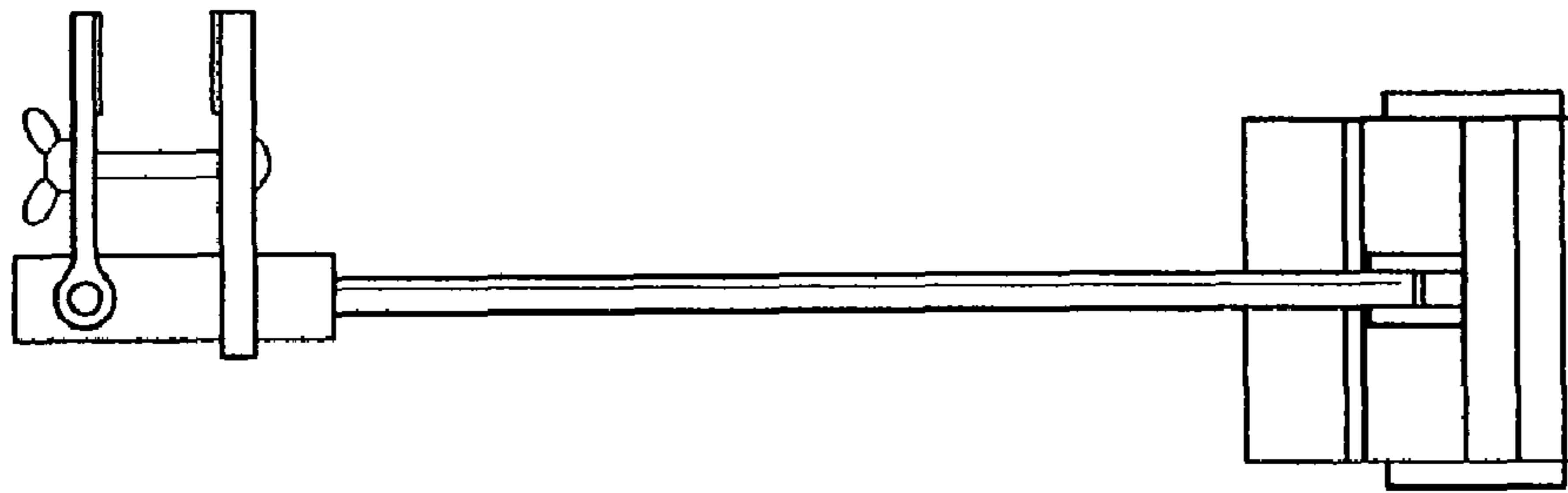


FIG. 2

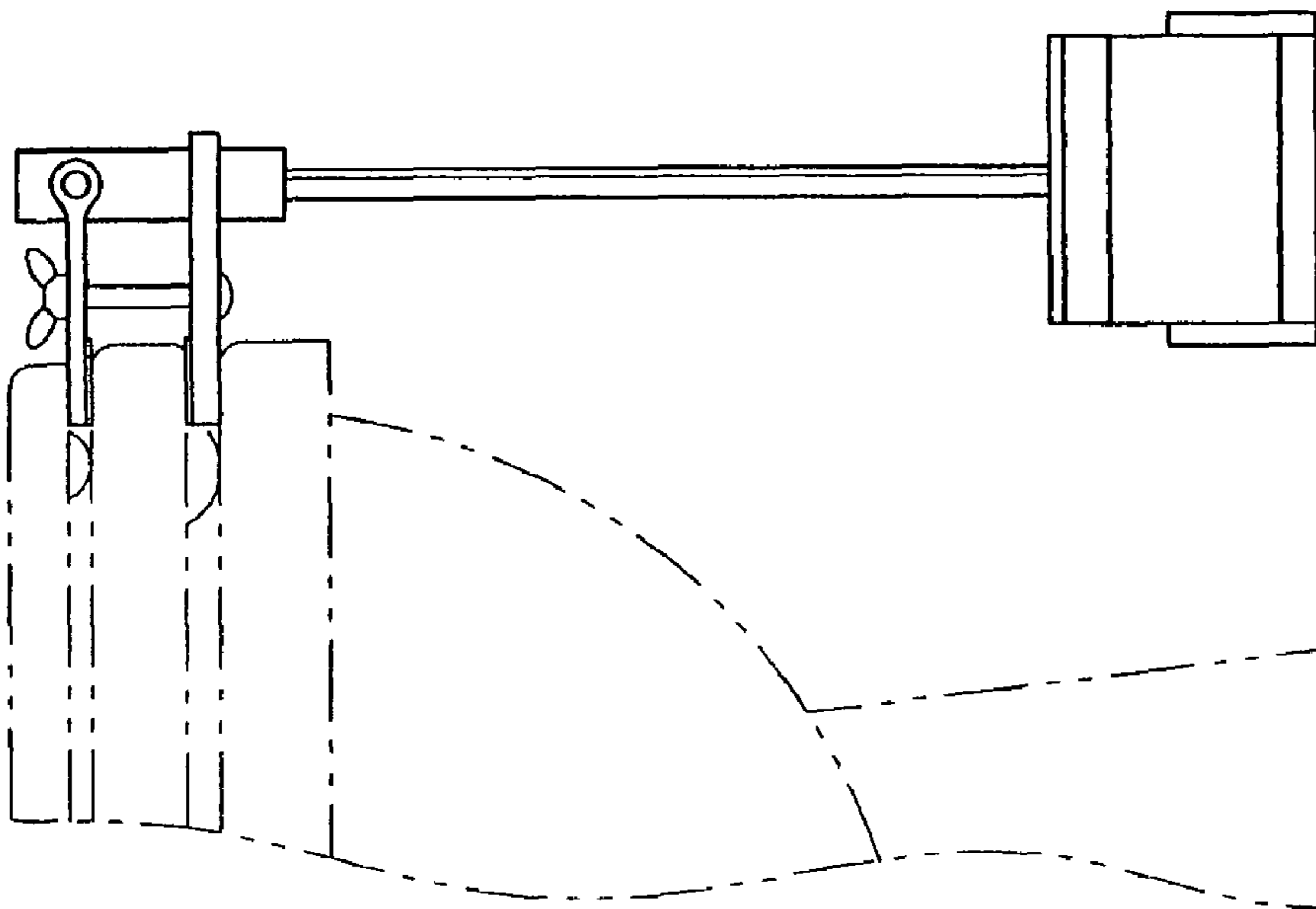


FIG. 1

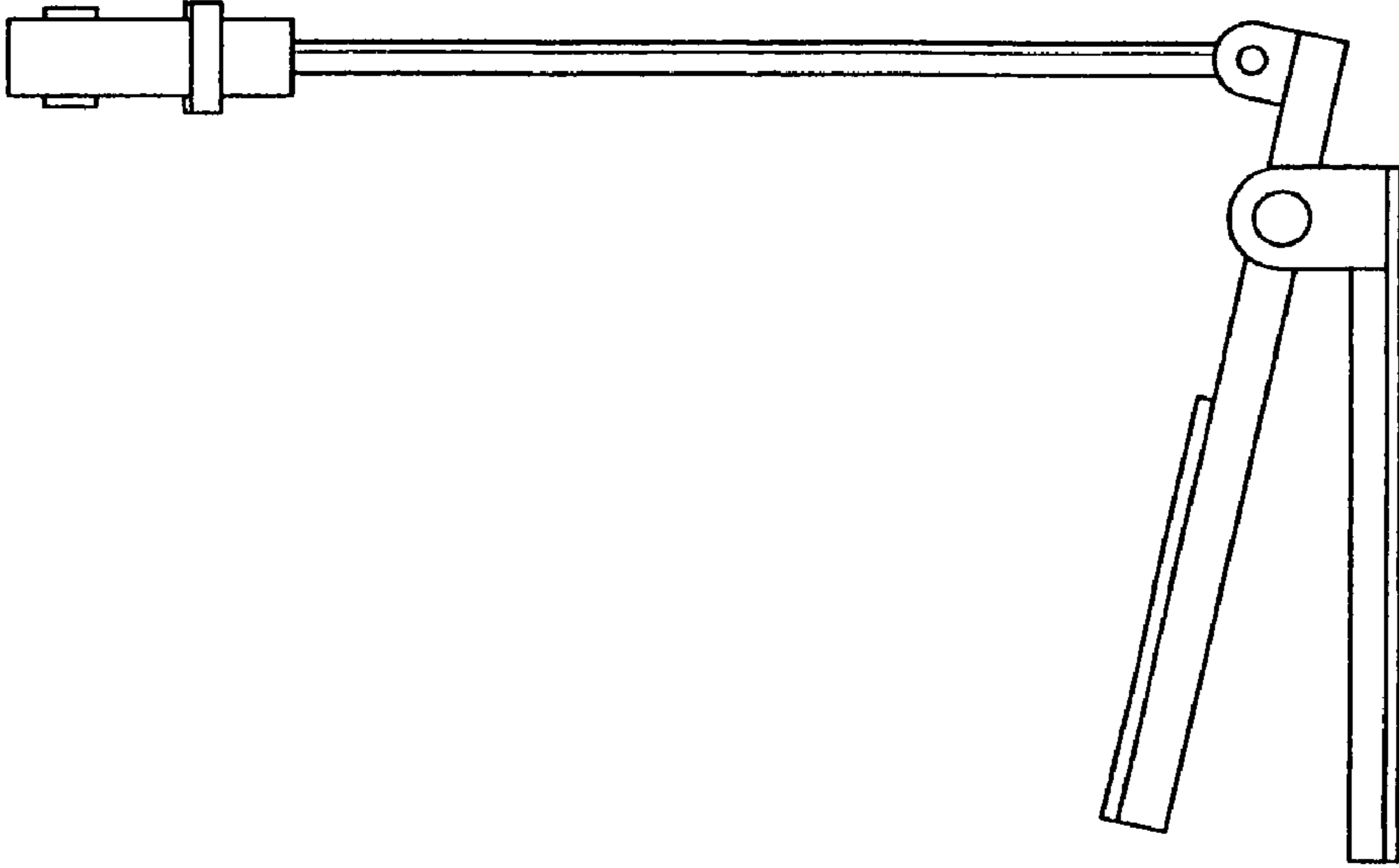


FIG.4

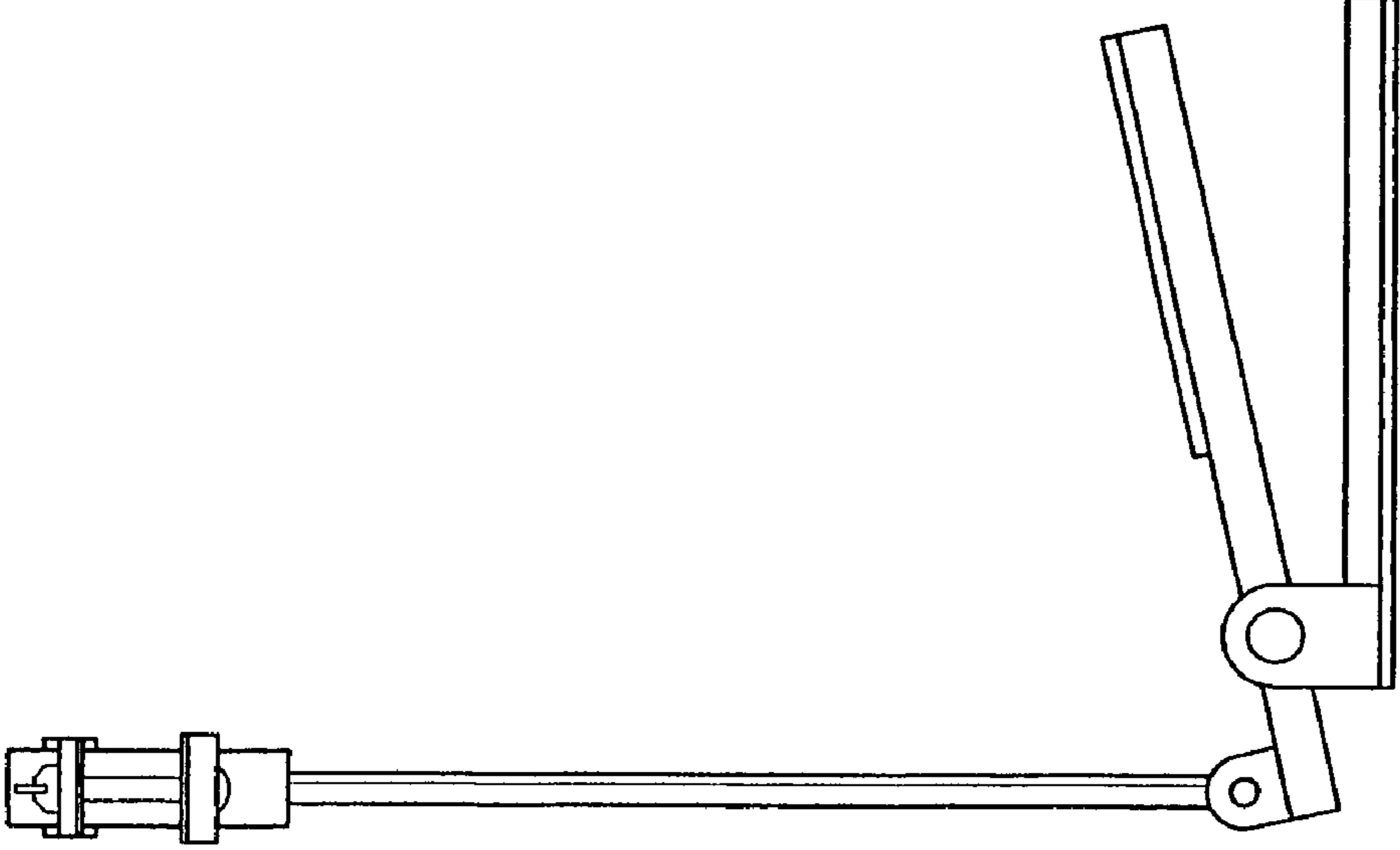


FIG.3

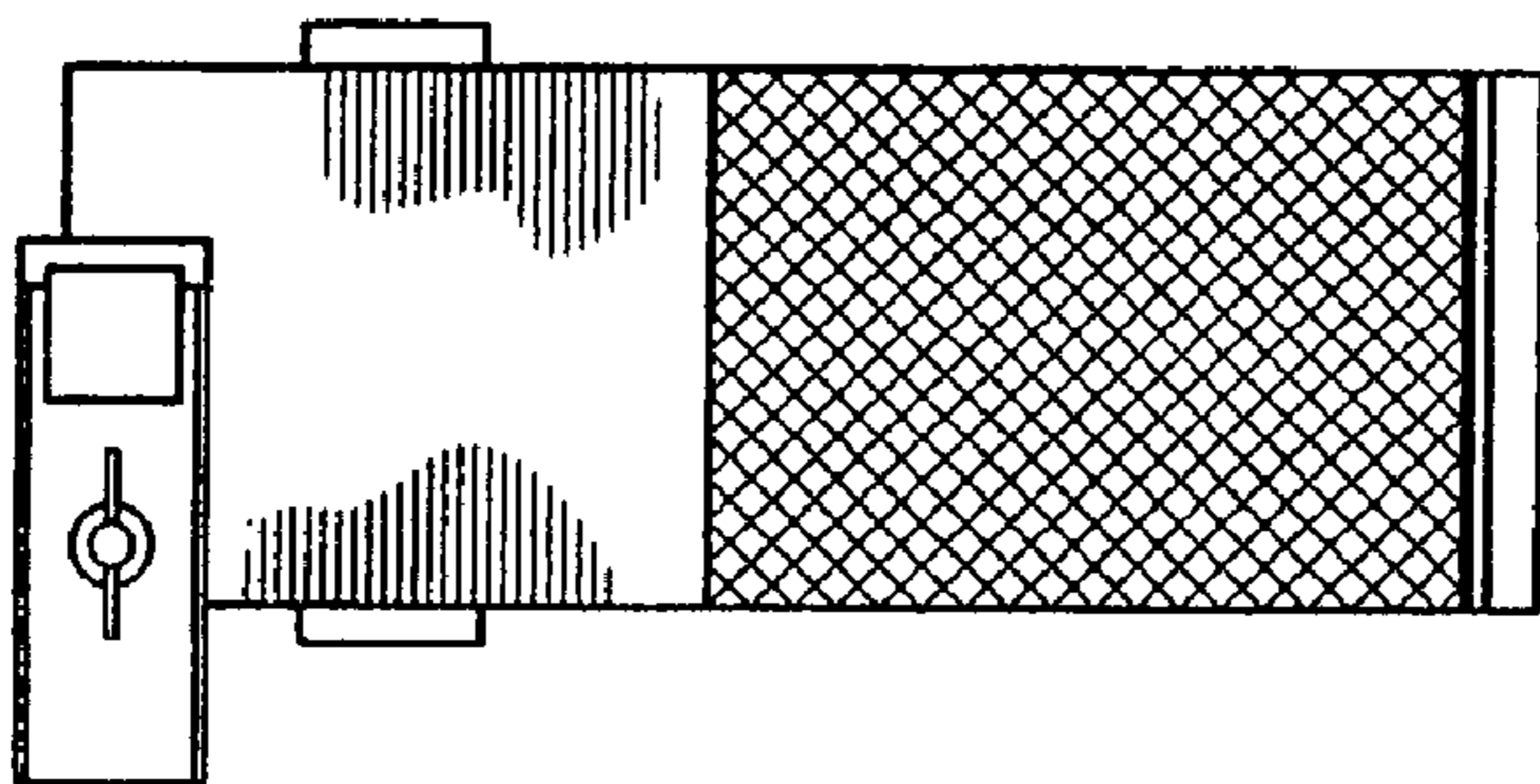


FIG. 5

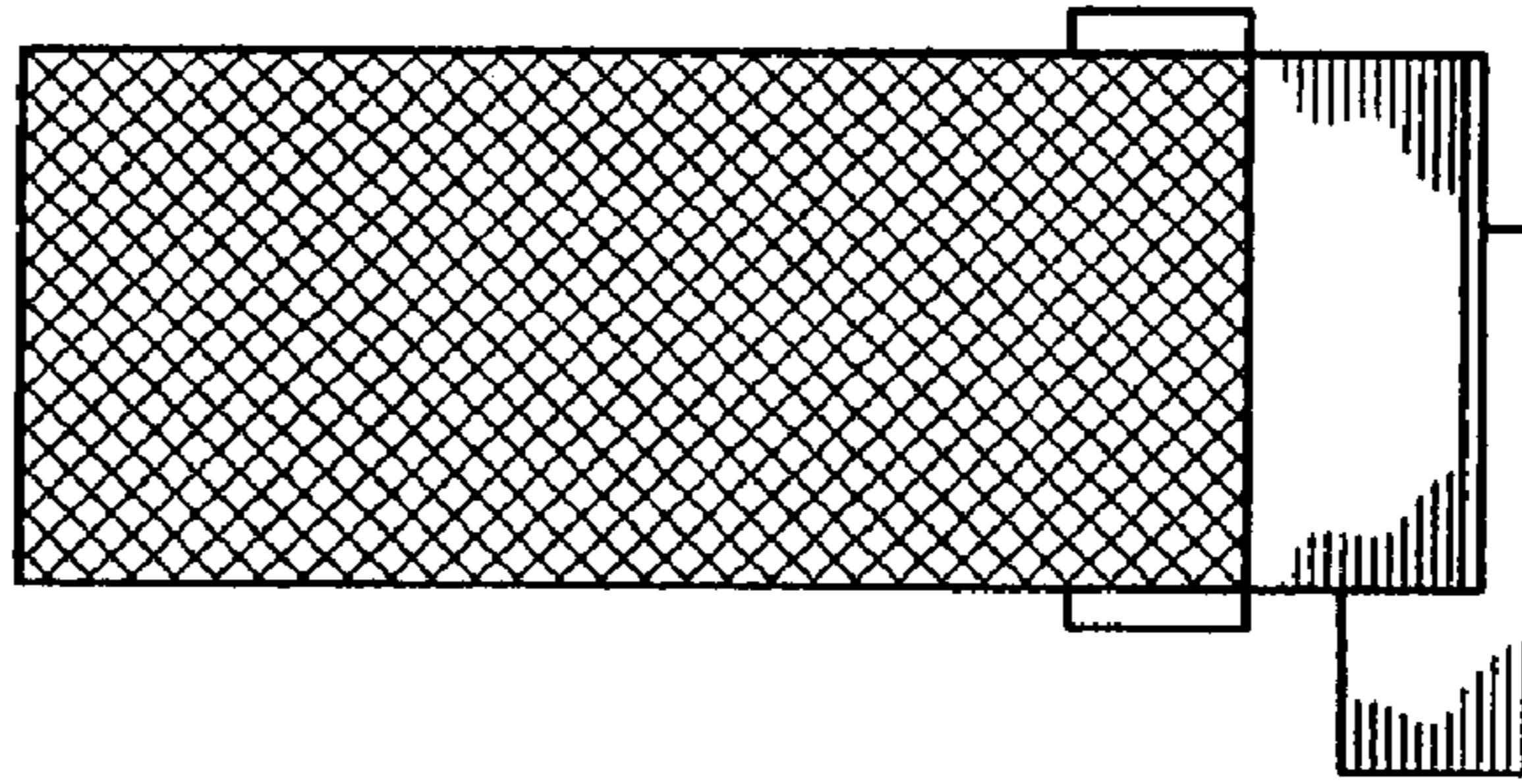


FIG. 6

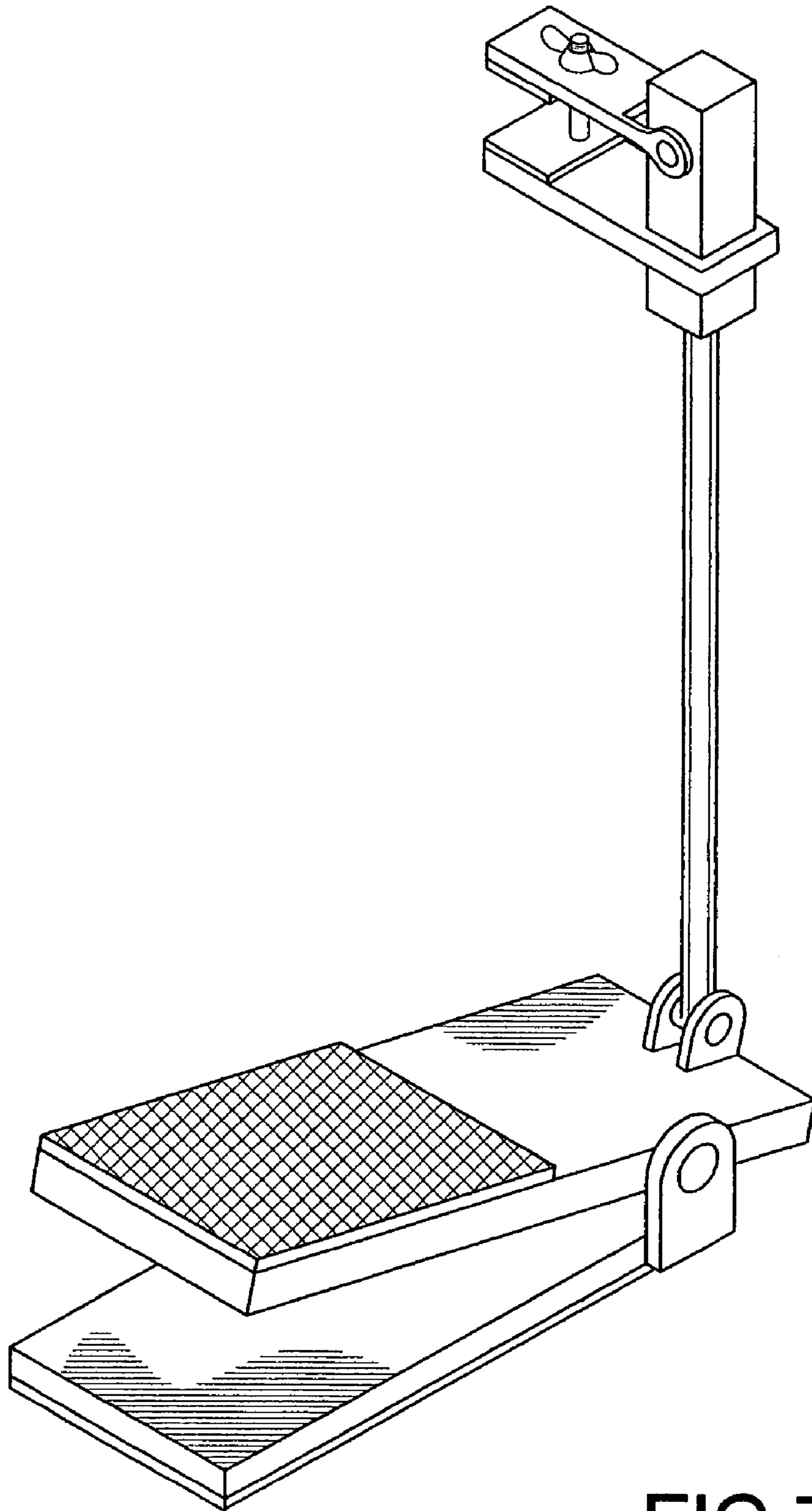


FIG.7