



US00D560271S

(12) **United States Design Patent**
Kesti et al.

(10) **Patent No.:** **US D560,271 S**
(45) **Date of Patent:** **** Jan. 22, 2008**

(54) **AIRLESS SPRAYER**

7,150,413 B1 * 12/2006 Bricko et al. 239/150

(75) Inventors: **Timothy J. Kesti**, Big Lake, MN (US);
Philip K. Snider, Elk River, MN (US);
Dale C. Pemberton, Big Lake, MN
(US); **Robert J. Gundersen**, Otsego,
MN (US); **Craig J. Wojciechowski**,
Zimmerman, MN (US); **Harold D.**
Johnson, Zimmerman, MN (US); **Diane**
L. Olson, Princeton, MN (US); **Jerry**
D. Horning, Albertville, MN (US)

* cited by examiner

Primary Examiner—Robin V Webster
(74) *Attorney, Agent, or Firm*—Douglas B. Farrow

(57) **CLAIM**

The ornamental design for the airless sprayer, as shown and described.

DESCRIPTION

(73) Assignee: **Graco Minnesota Inc.**, Minneapolis,
MN (US)

FIG. 1 is a front perspective view of the airless sprayer;

FIG. 2 is a rear perspective view thereof;

FIG. 3 is a bottom elevation view thereof;

FIG. 4 is a front elevation view thereof;

FIG. 5 is a right side elevation view thereof;

FIG. 6 is a left side elevation view thereof;

FIG. 7 is a front perspective view of an alternate embodi-
ment of the airless sprayer;

FIG. 8 is a rear perspective view thereof;

FIG. 9 is a bottom elevation view thereof;

FIG. 10 is a front elevation view thereof;

FIG. 11 is a right side elevation view thereof; and,

FIG. 12 is a left side elevation view thereof;

The Graco insignia shown on the rear of the claimed design
is a registered trademark of Graco Minnesota, Inc.

(**) Term: **14 Years**

(21) Appl. No.: **29/278,336**

(22) Filed: **Mar. 26, 2007**

(51) **LOC (8) Cl.** **23-01**

(52) **U.S. Cl.** **D23/225**

(58) **Field of Classification Search** D23/225;
239/146, 147, 150

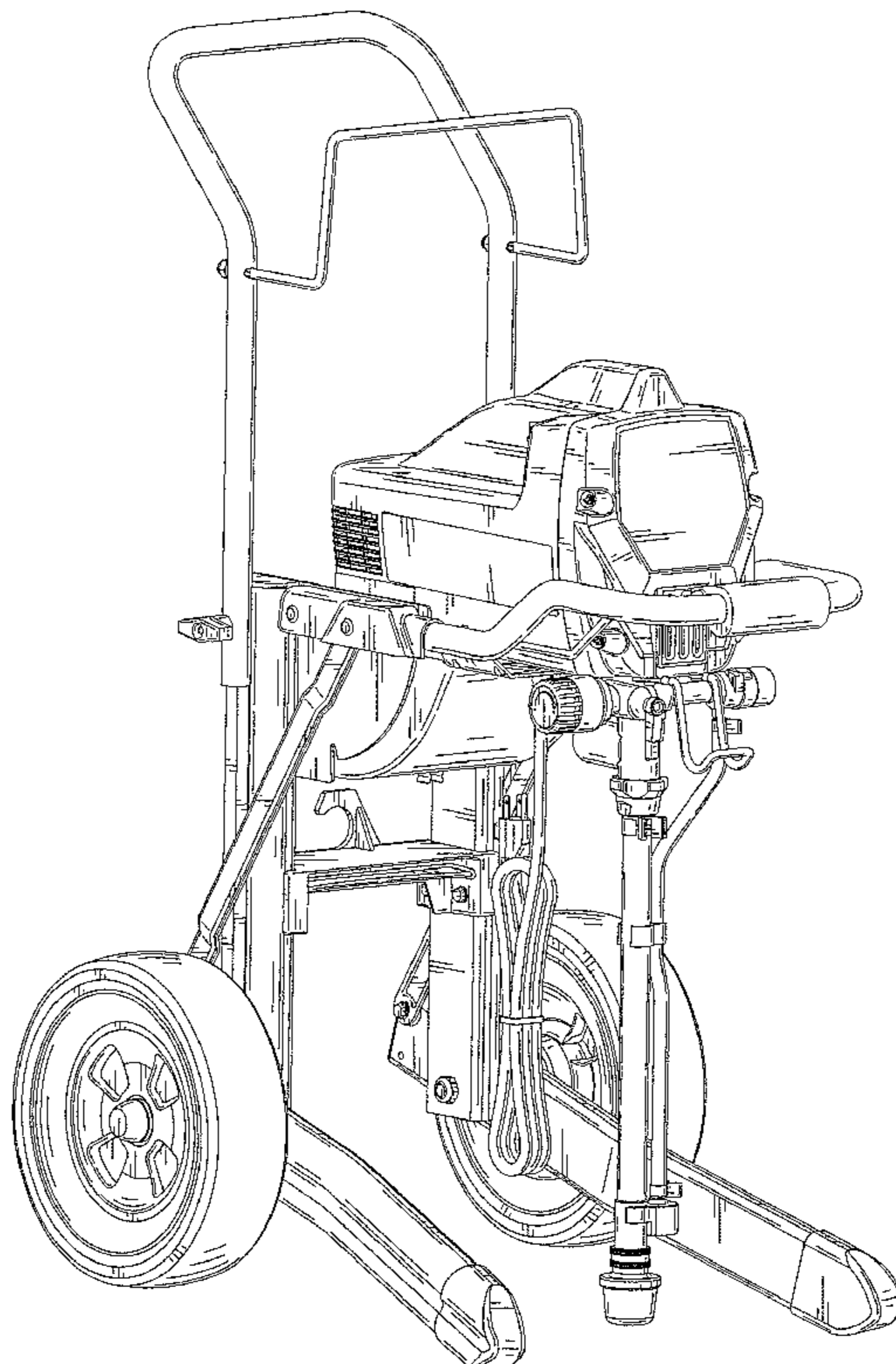
See application file for complete search history.

(56) **References Cited**

U.S. PATENT DOCUMENTS

3,007,645 A * 11/1961 Little 239/150

1 Claim, 12 Drawing Sheets



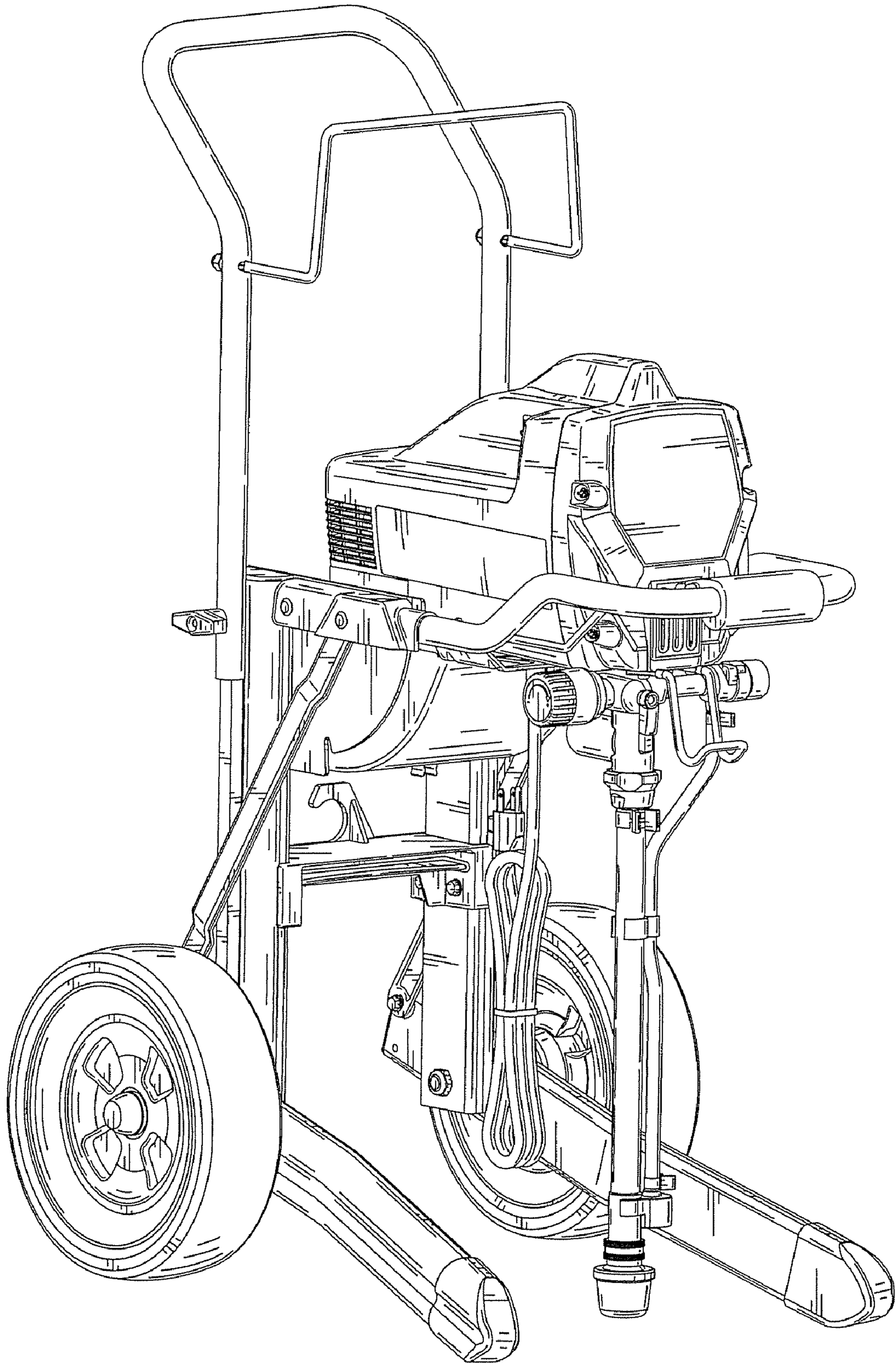


FIG. 1

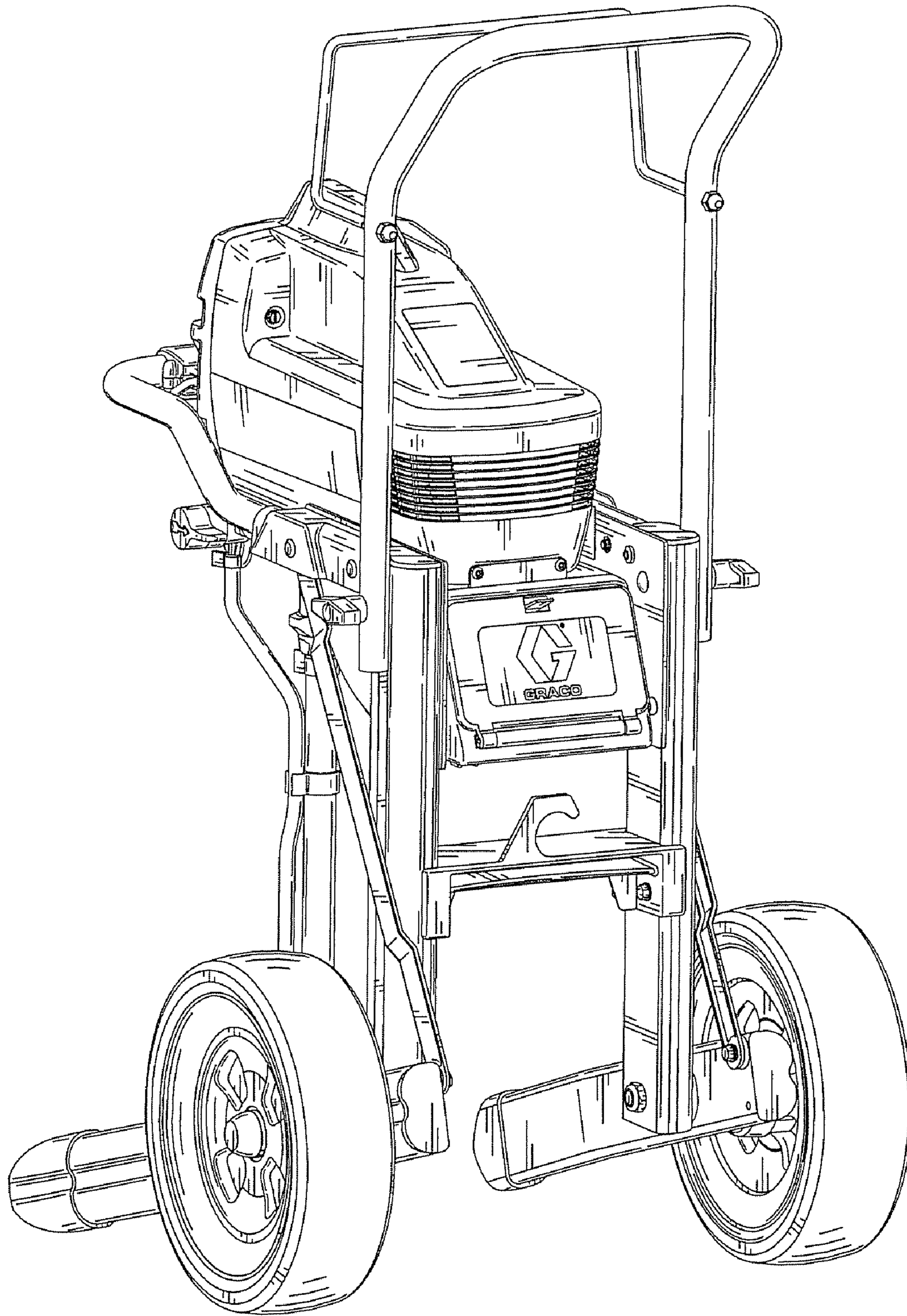


FIG. 2

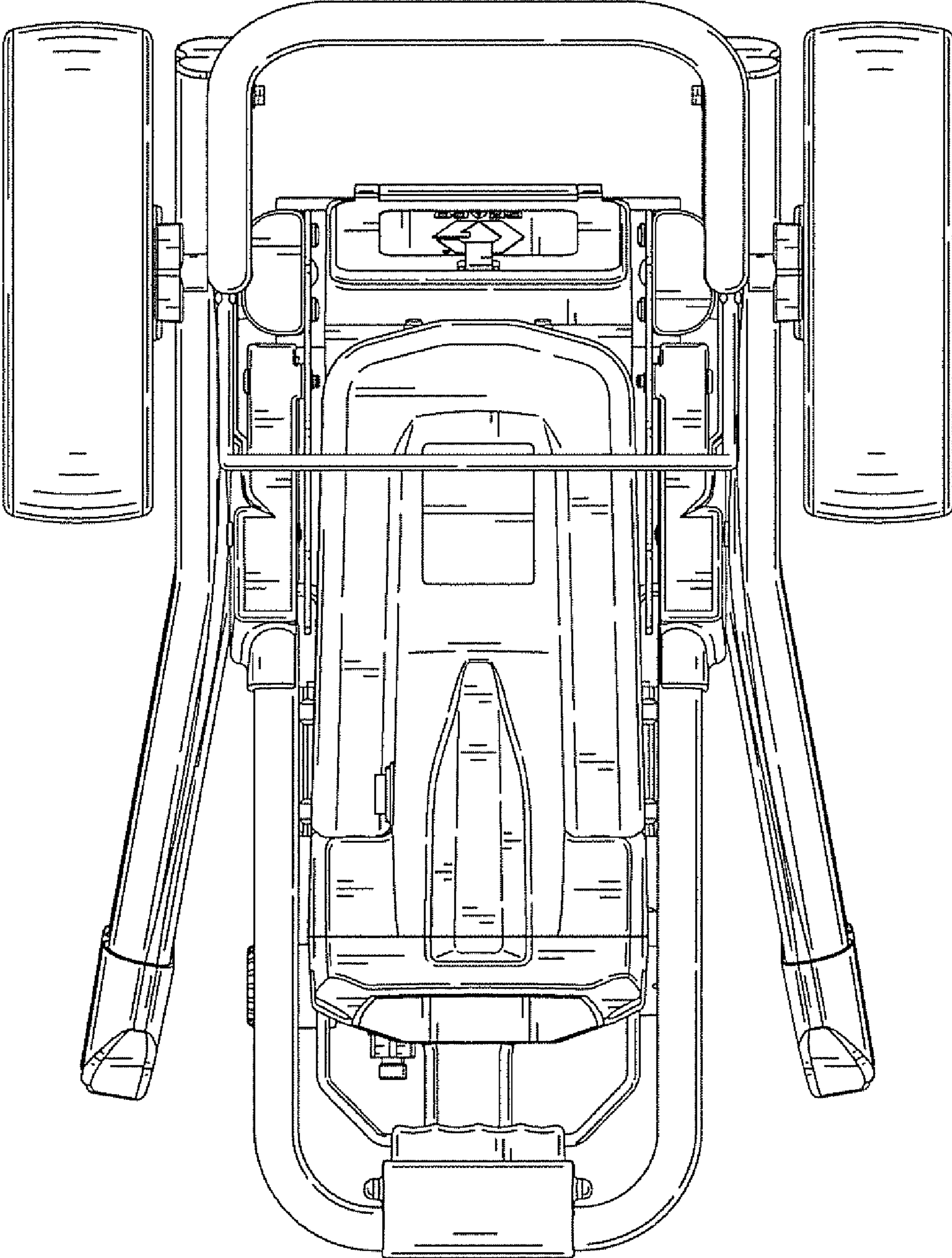


FIG. 3

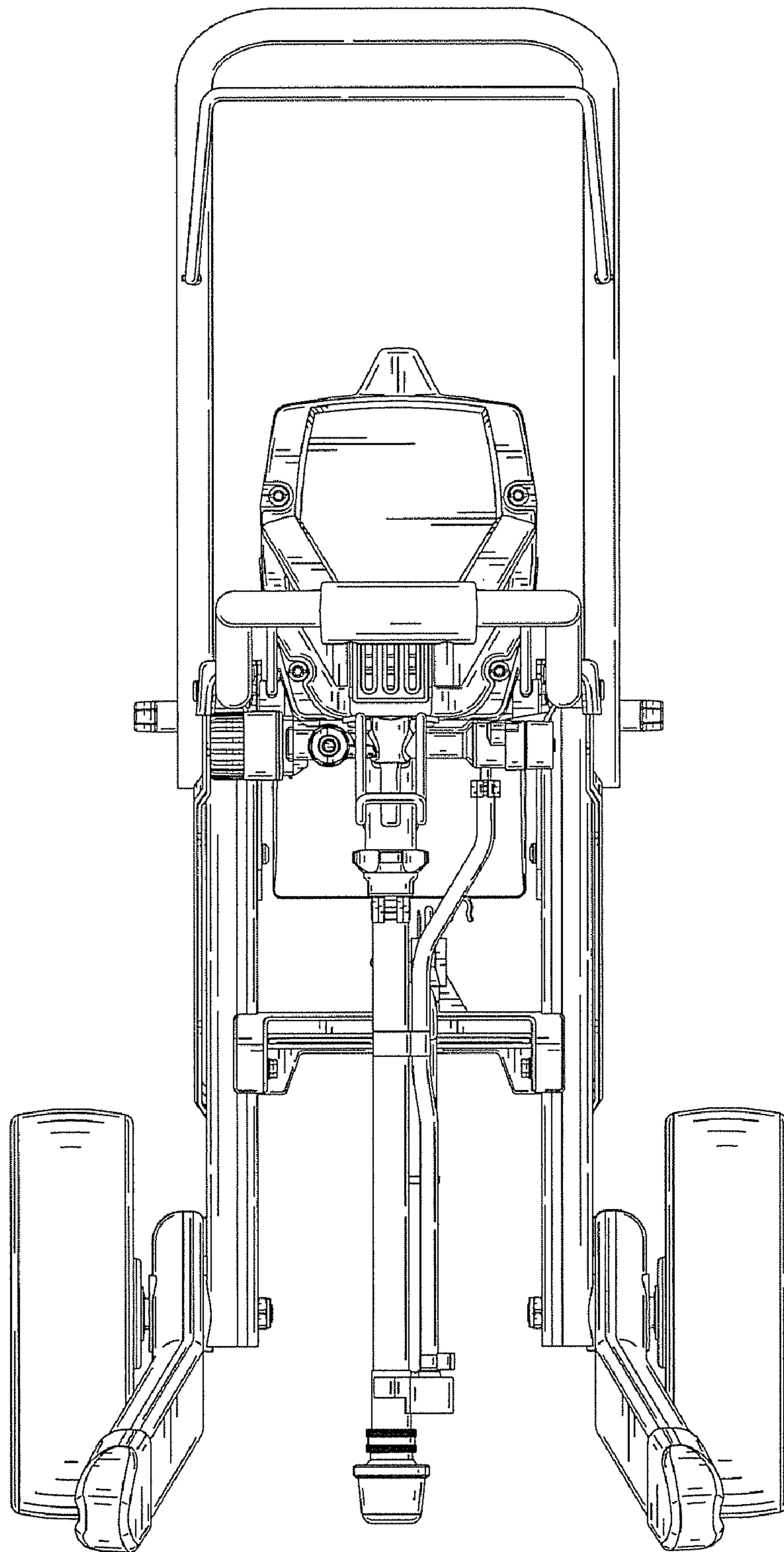


FIG. 4

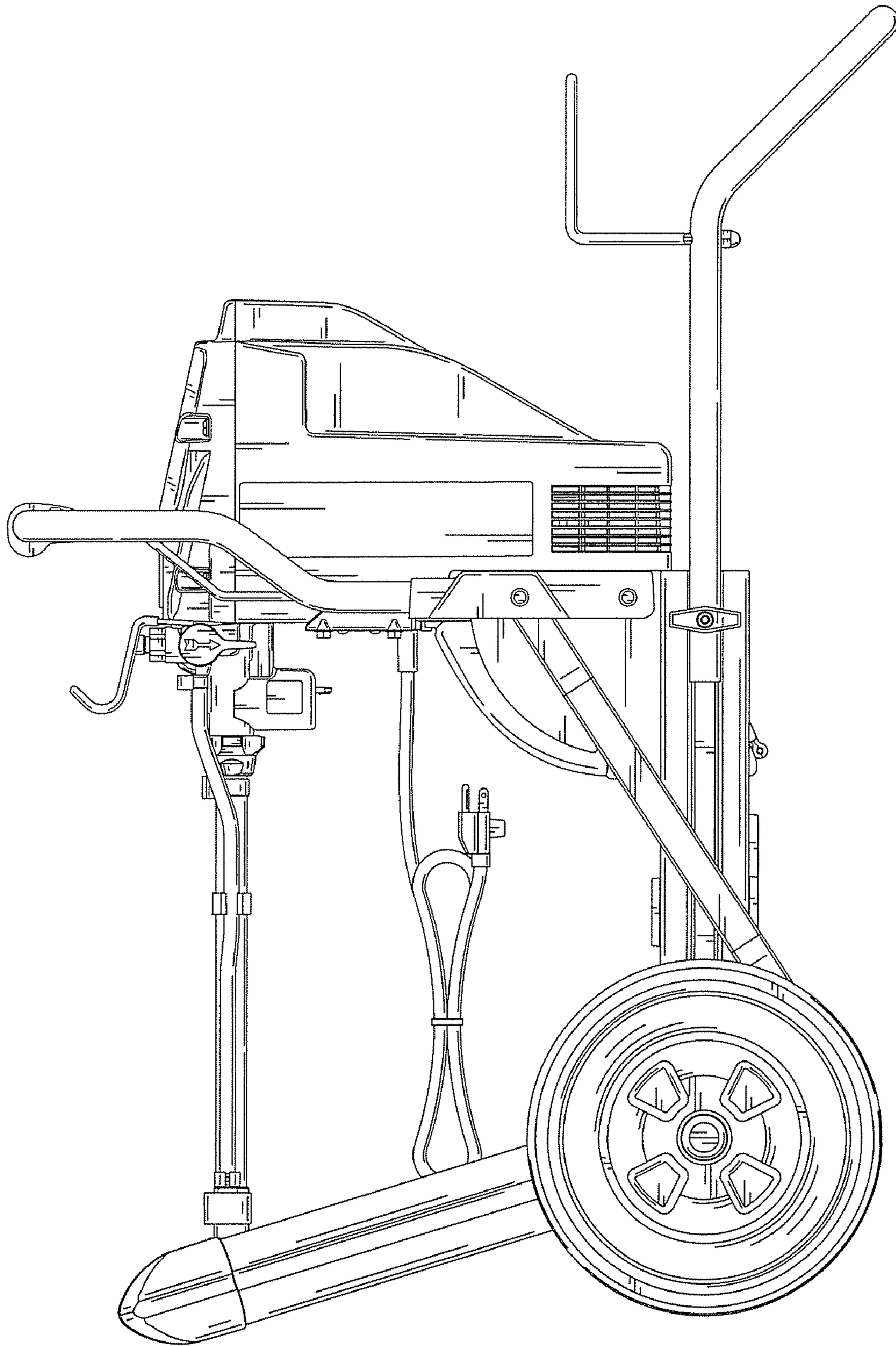


FIG. 5

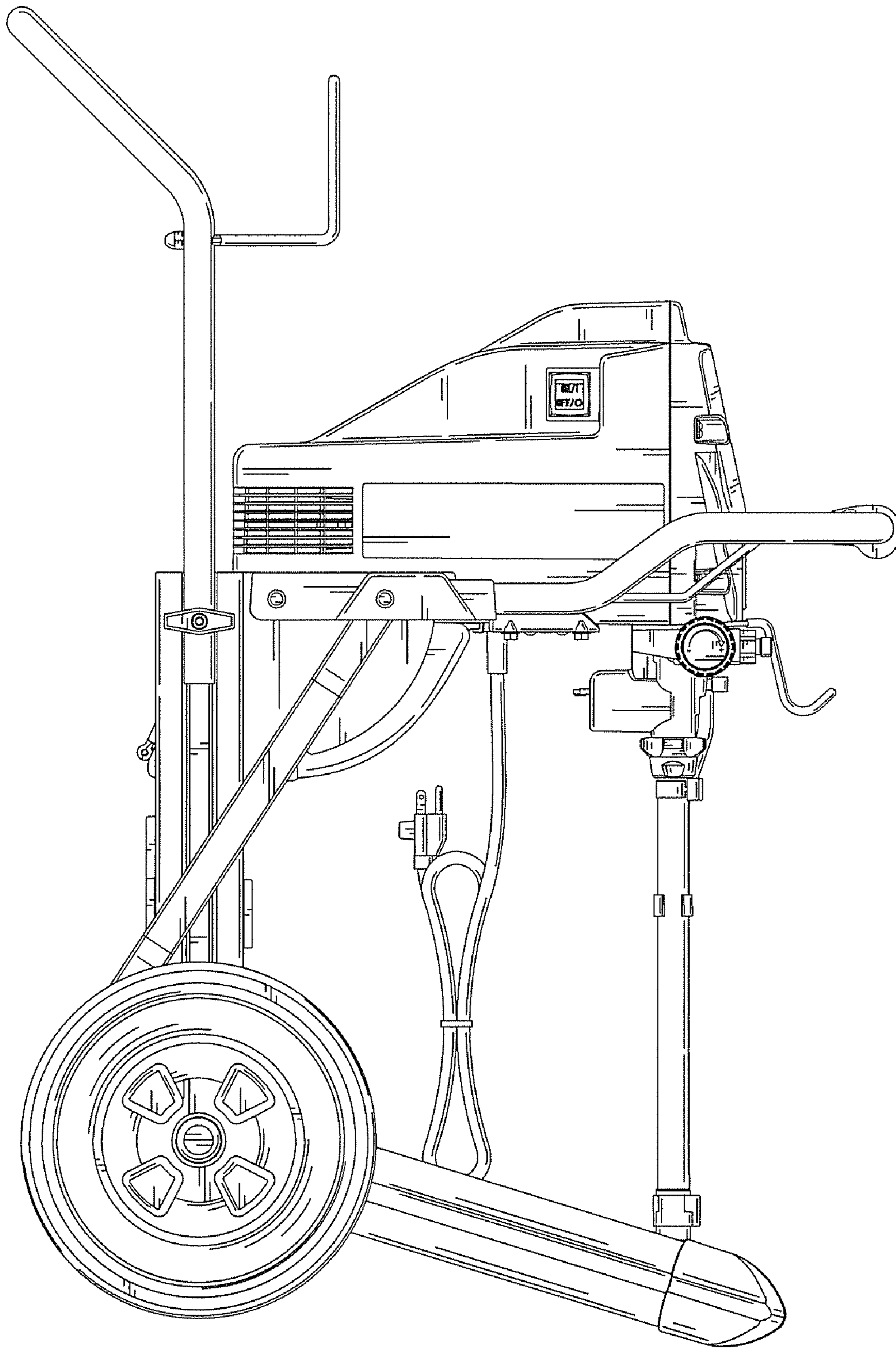


FIG. 6

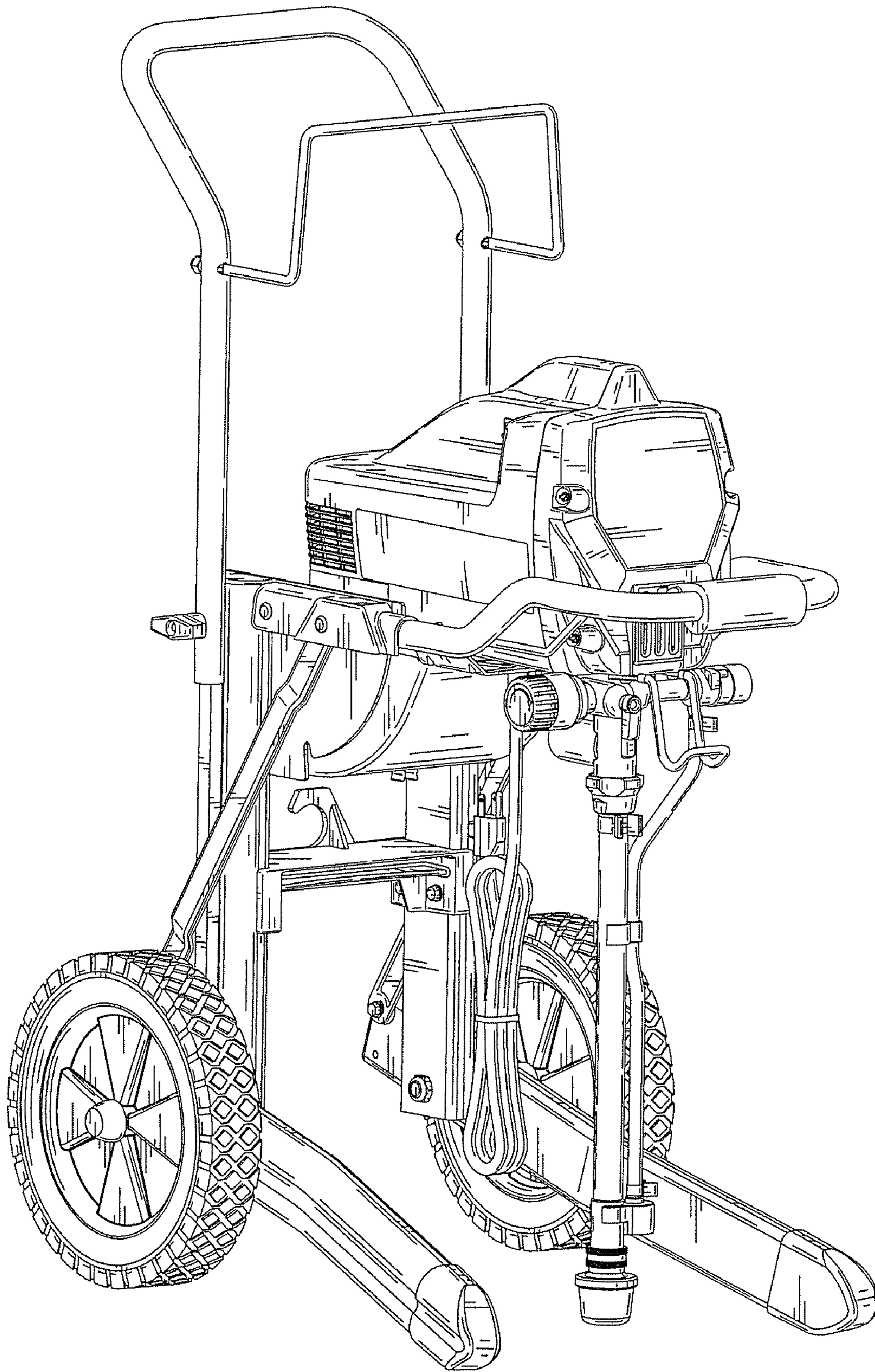


FIG. 7

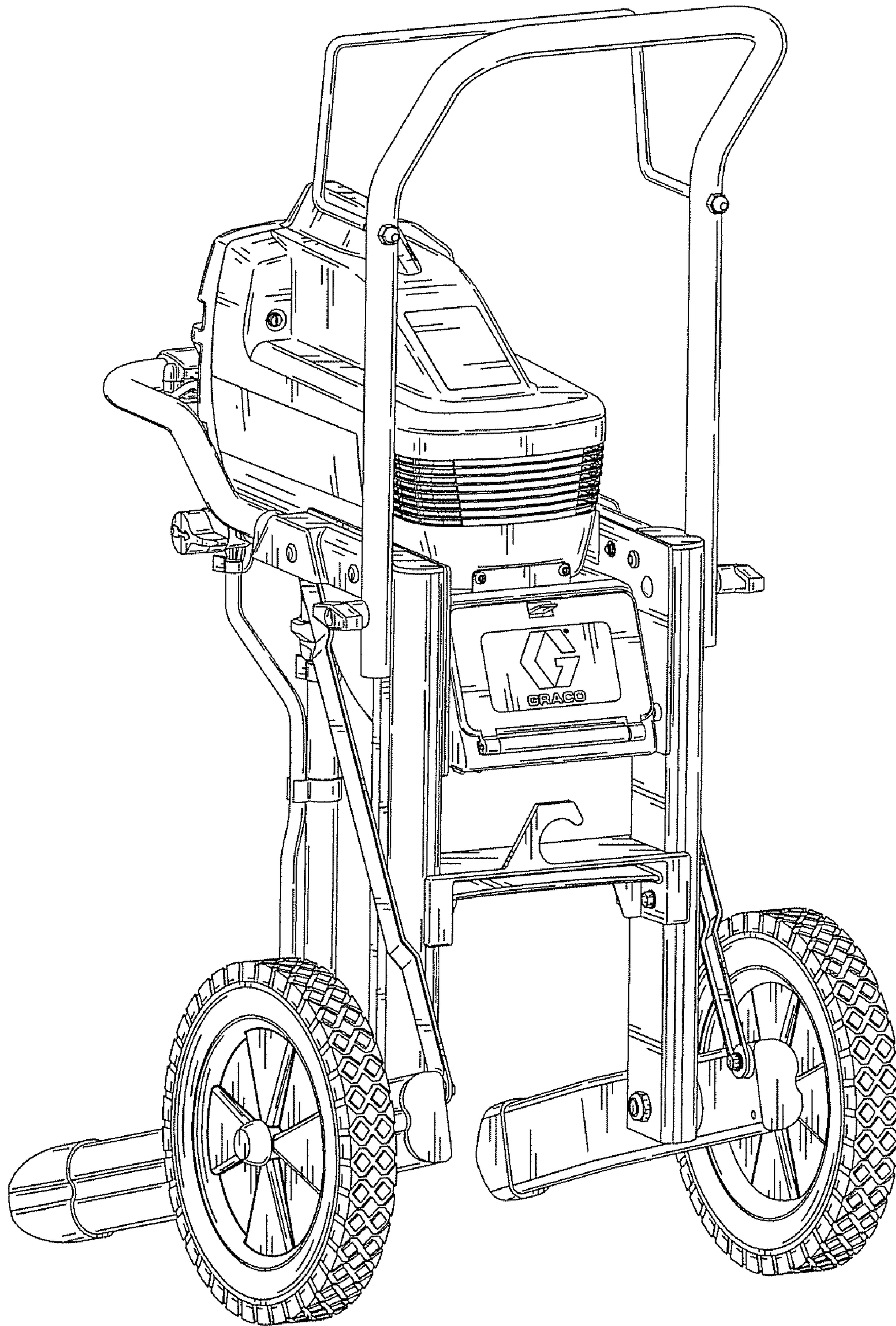


FIG. 8

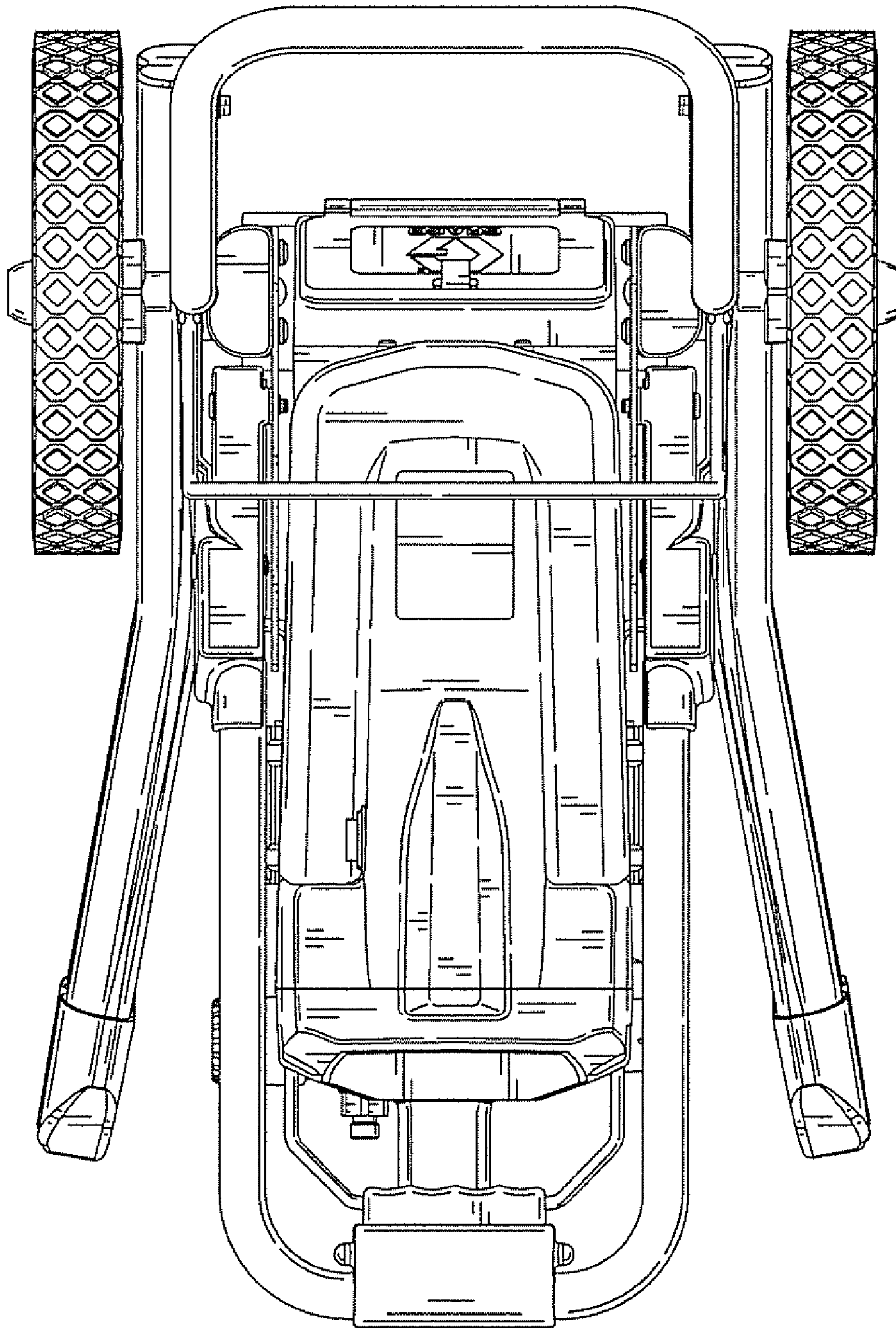


FIG. 9

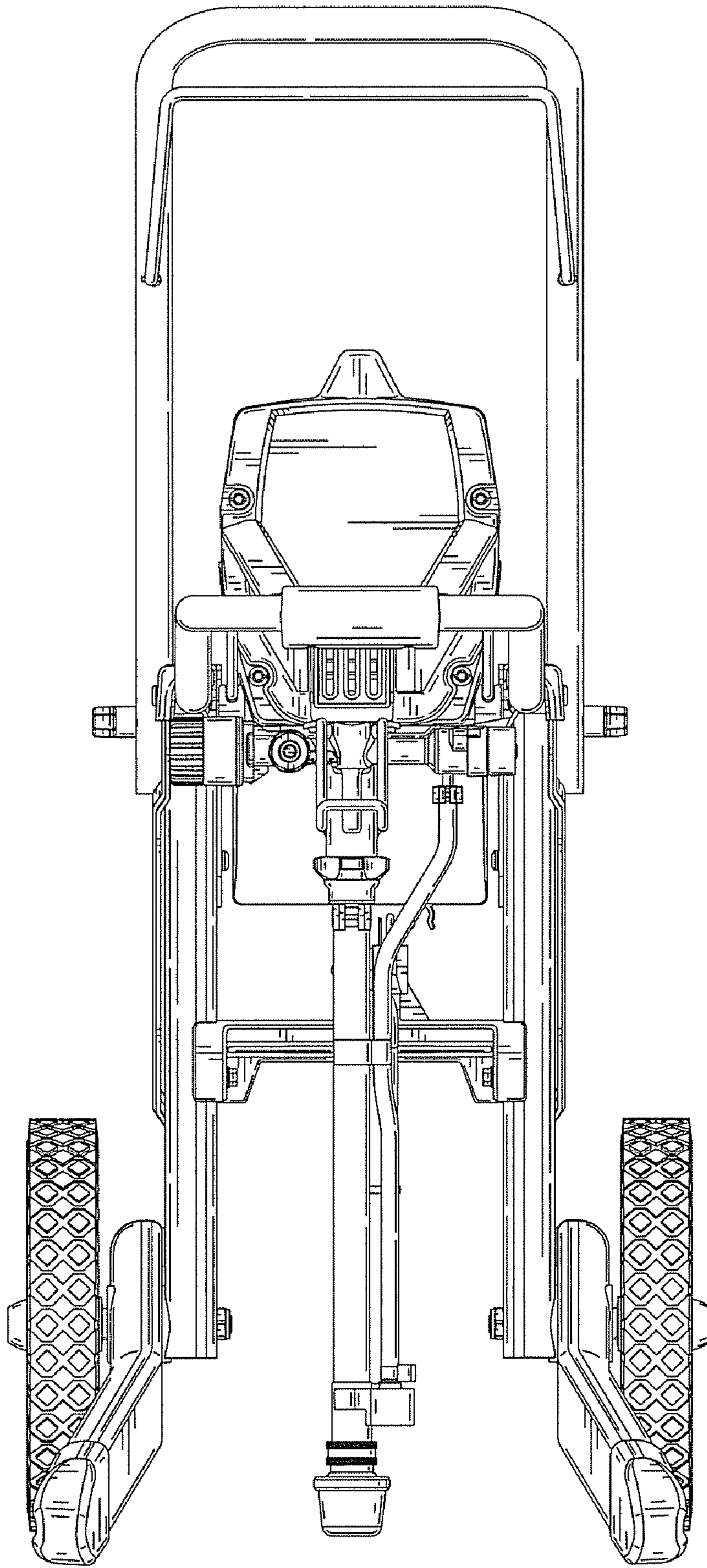


FIG. 10

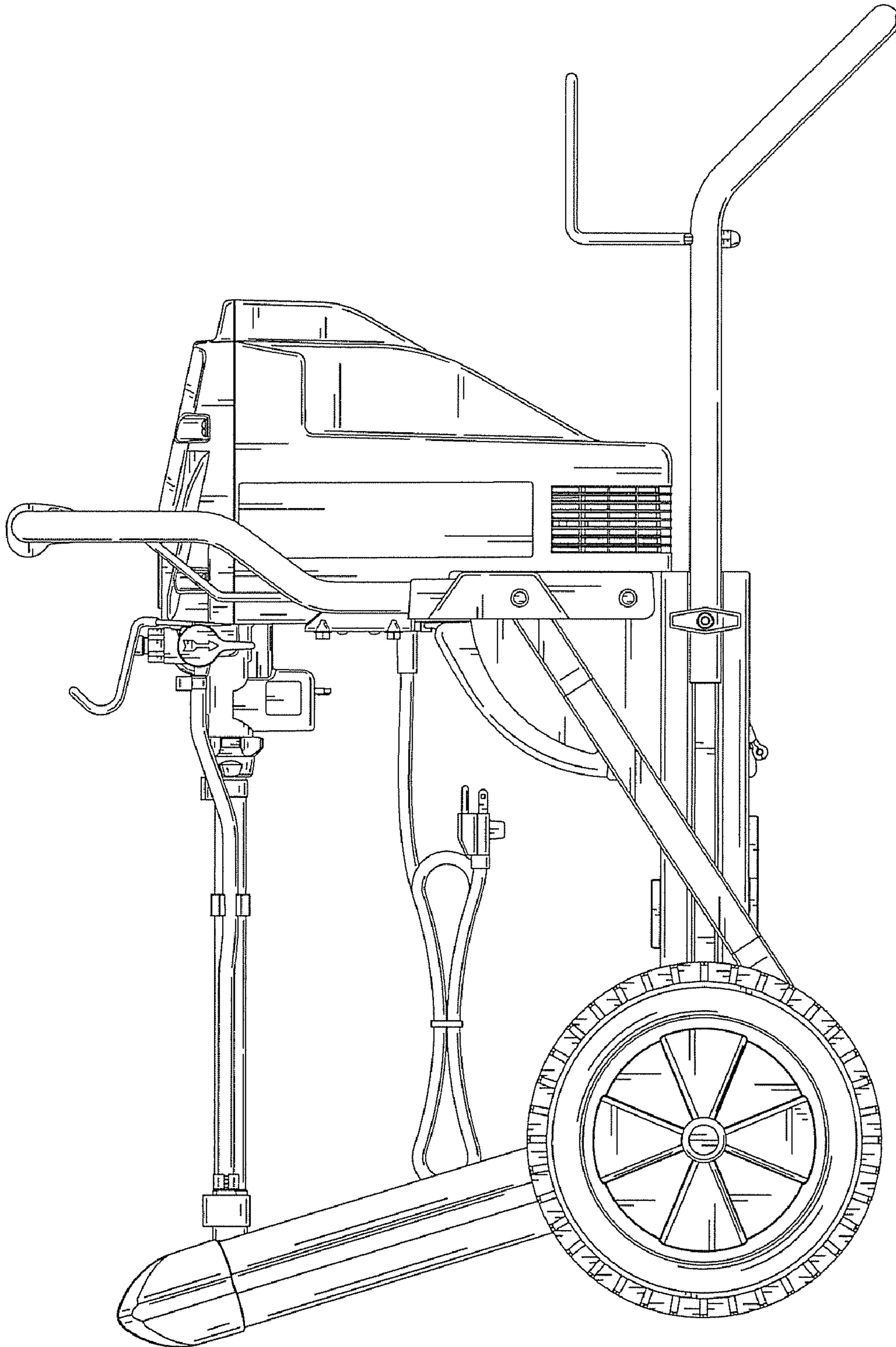


FIG. 11

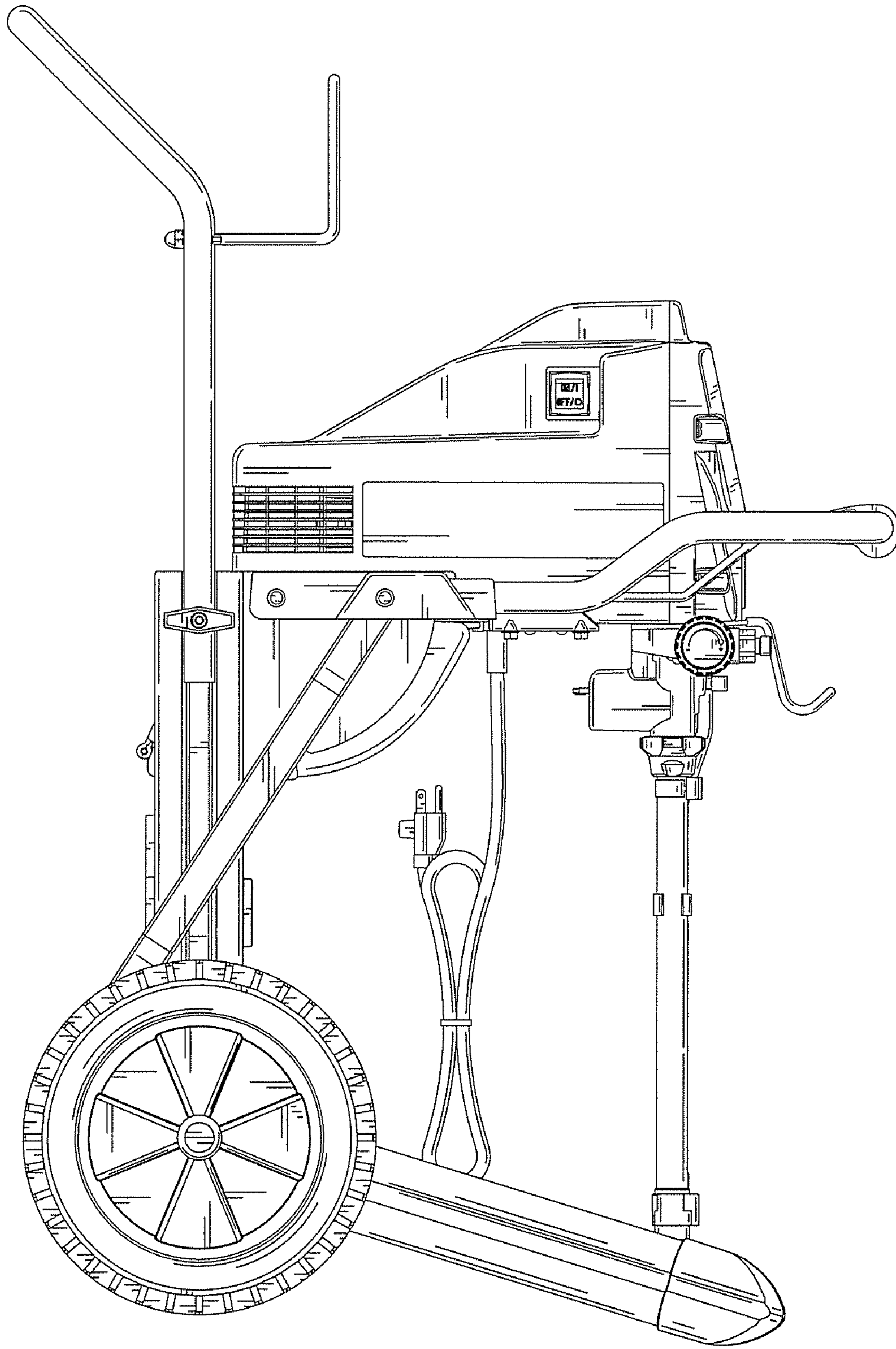


FIG. 12