



US00D560266S

(12) **United States Design Patent**
Hardison et al.

(10) **Patent No.:** **US D560,266 S**
(45) **Date of Patent:** **** Jan. 22, 2008**

(54) **DUCK DECOY**

(76) Inventors: **Michael Hardison**, 2614 N. Hwy. 253,
Lavaca, AR (US) 72941; **Casey Turner**,
6 E. Columbus, Lavaca, AR (US) 72941

(**) Term: **14 Years**

(21) Appl. No.: **29/277,679**

(22) Filed: **Mar. 6, 2007**

(51) **LOC (8) Cl.** **22-05**

(52) **U.S. Cl.** **D22/125**

(58) **Field of Classification Search** D22/125;
43/1-3, 26.1, 26.2, 17.5; D21/510, 608;
446/217

See application file for complete search history.

(56) **References Cited**

U.S. PATENT DOCUMENTS

D360,169 S *	7/1995	Gazalski	D22/125
D469,152 S *	1/2003	Mathews	D22/125
D477,651 S *	7/2003	Paw	D22/125
D488,849 S *	4/2004	Olson et al.	D22/125
2006/0242883 A1 *	11/2006	Tilby	43/3

* cited by examiner

Primary Examiner—Catherine R. Oliver

(74) *Attorney, Agent, or Firm*—Quick Patents, Inc.; Kevin Prince

(57) **CLAIM**

We claim the ornamental design for a duck decoy, as shown and described.

DESCRIPTION

FIG. 1 is a perspective view of a duck decoy, showing my new design, the duck decoy in a floating position;

FIG. 2 is a front elevational view of the invention, the duck decoy in the floating position;

FIG. 3 is a rear elevational view of the invention, the duck decoy in the floating position;

FIG. 4 is a left-side elevational view of the invention, the duck decoy in the floating position;

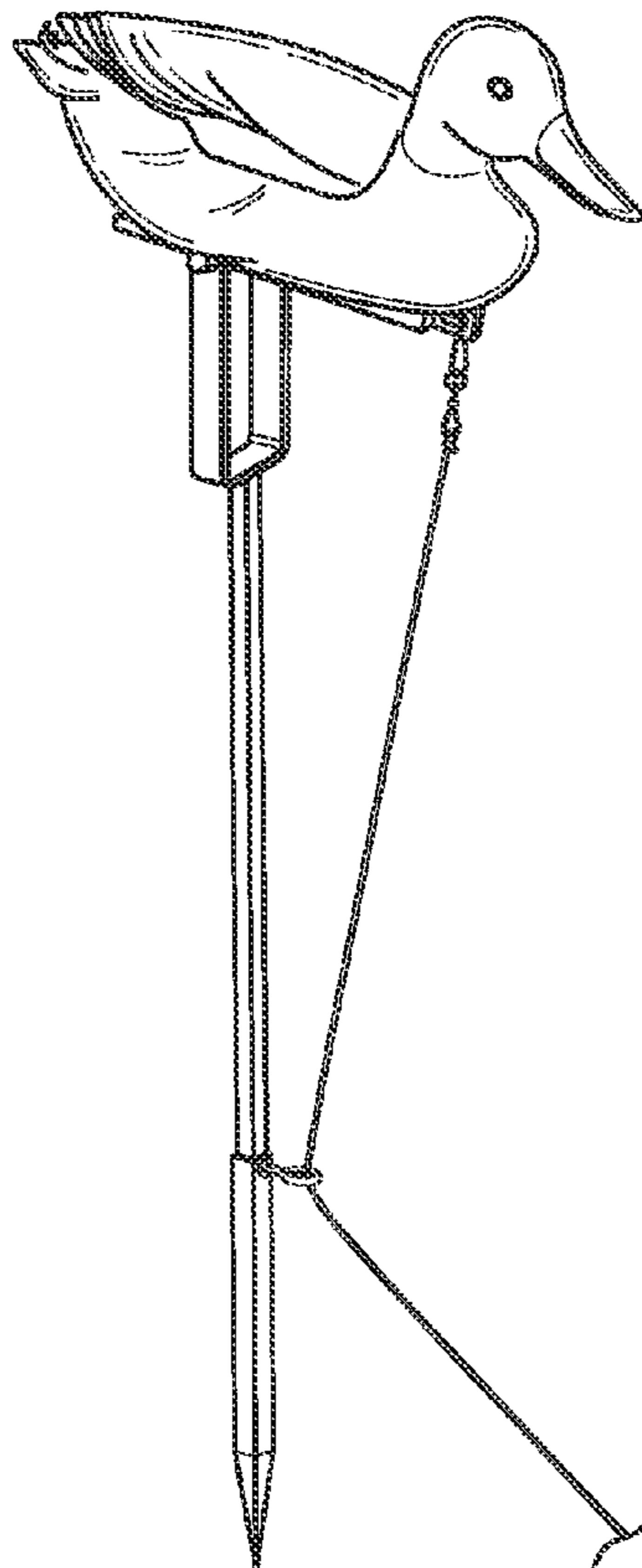
FIG. 5 is a right-side elevational view of the invention, the duck decoy in the floating position;

FIG. 6 is a top plan view of the invention, the duck decoy in the floating position;

FIG. 7 is a bottom plan view of the invention, the duck decoy in the floating position; and,

FIG. 8 is a left-side elevational view of the invention, the duck decoy in a submerged position.

1 Claim, 3 Drawing Sheets



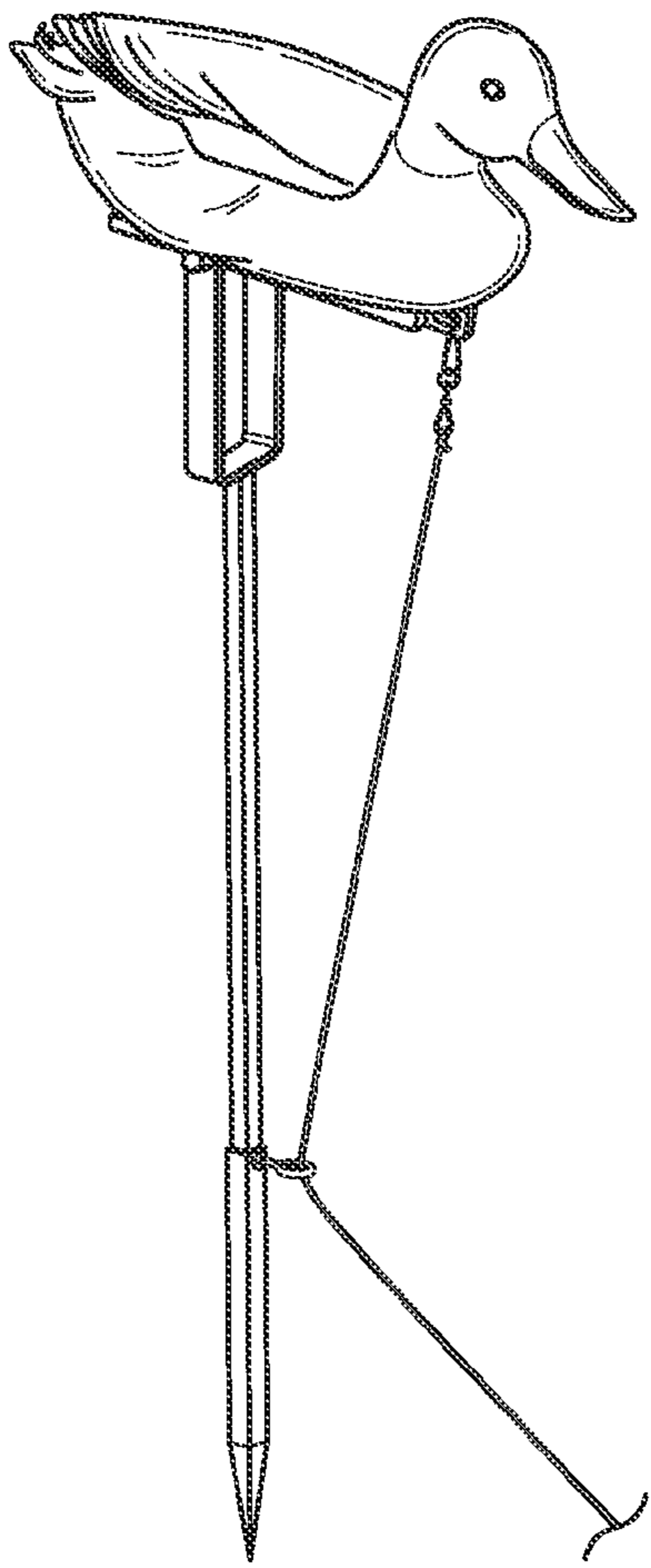


FIG. 1

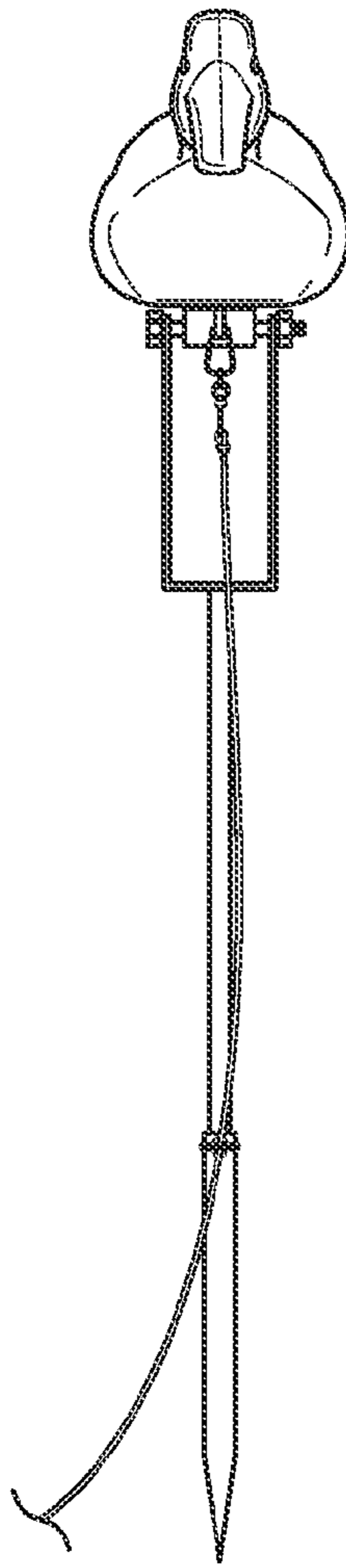


FIG. 2

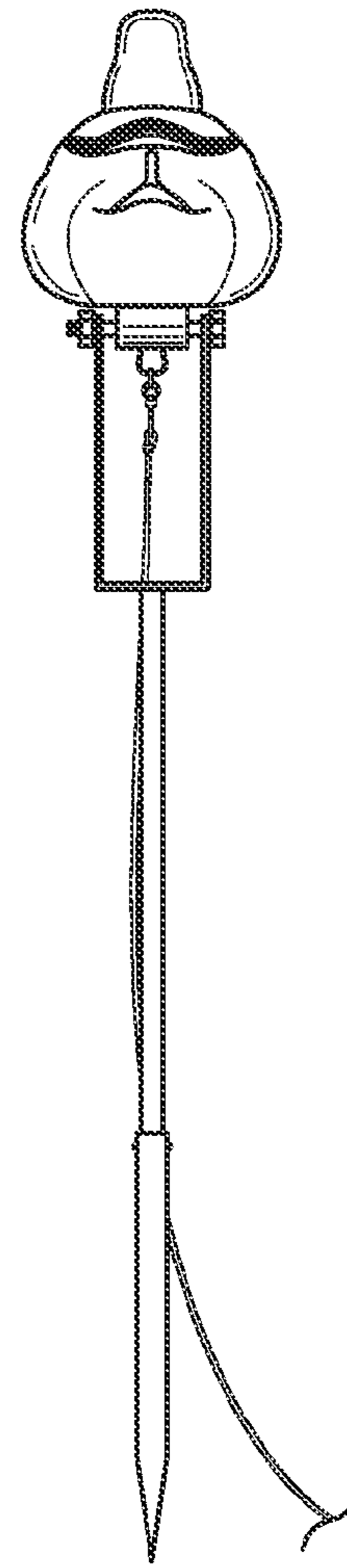


FIG. 3

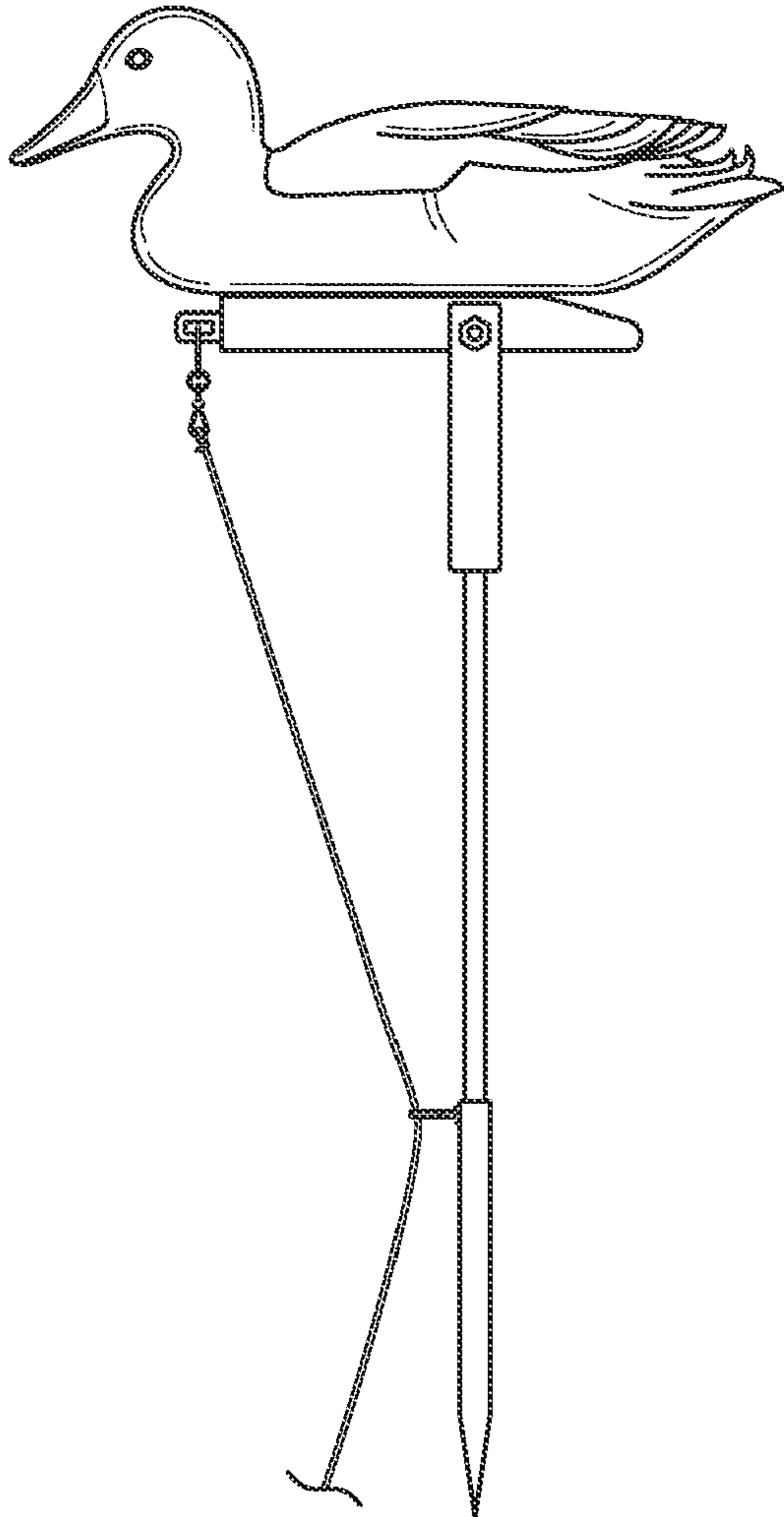


FIG. 4

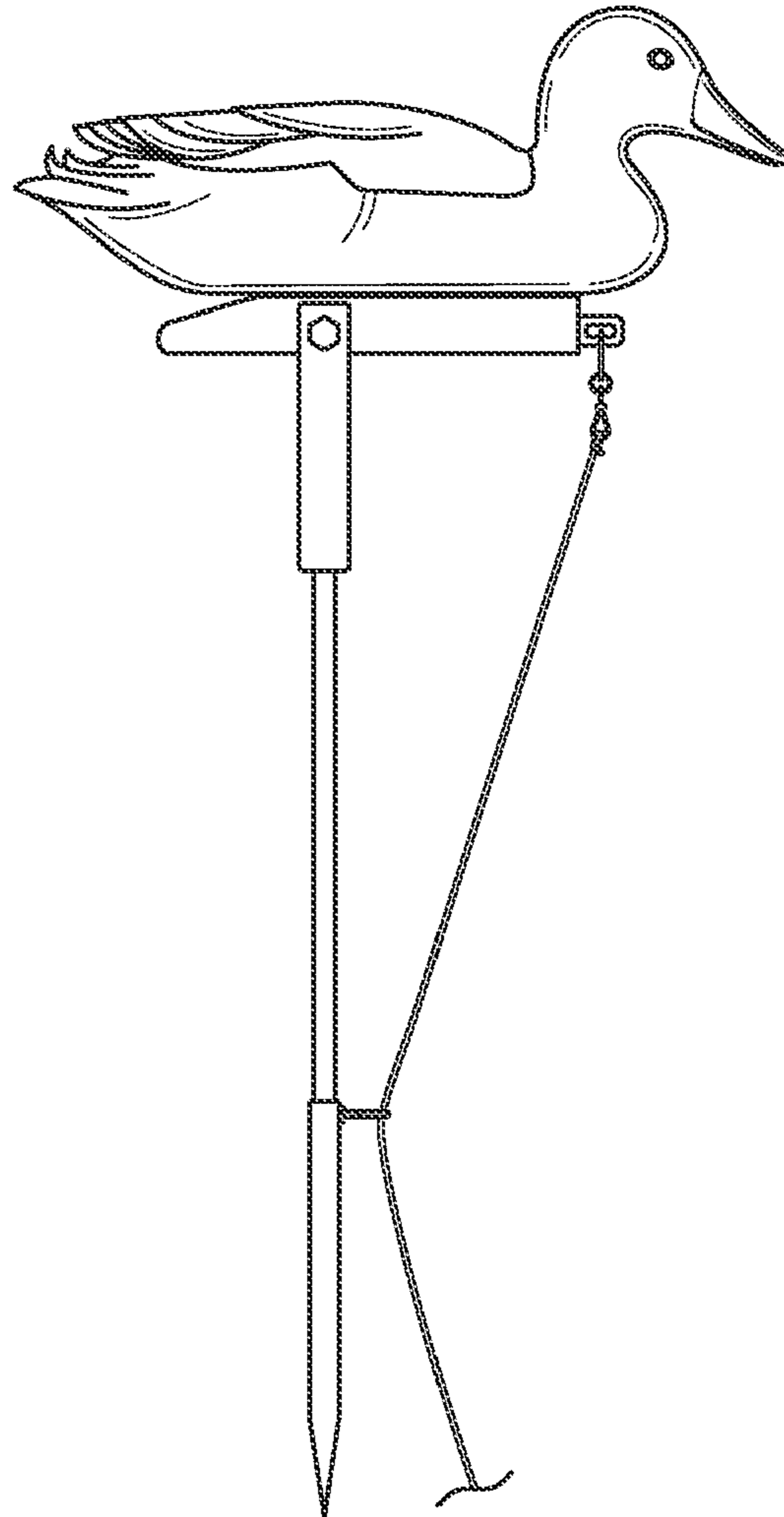


FIG. 5

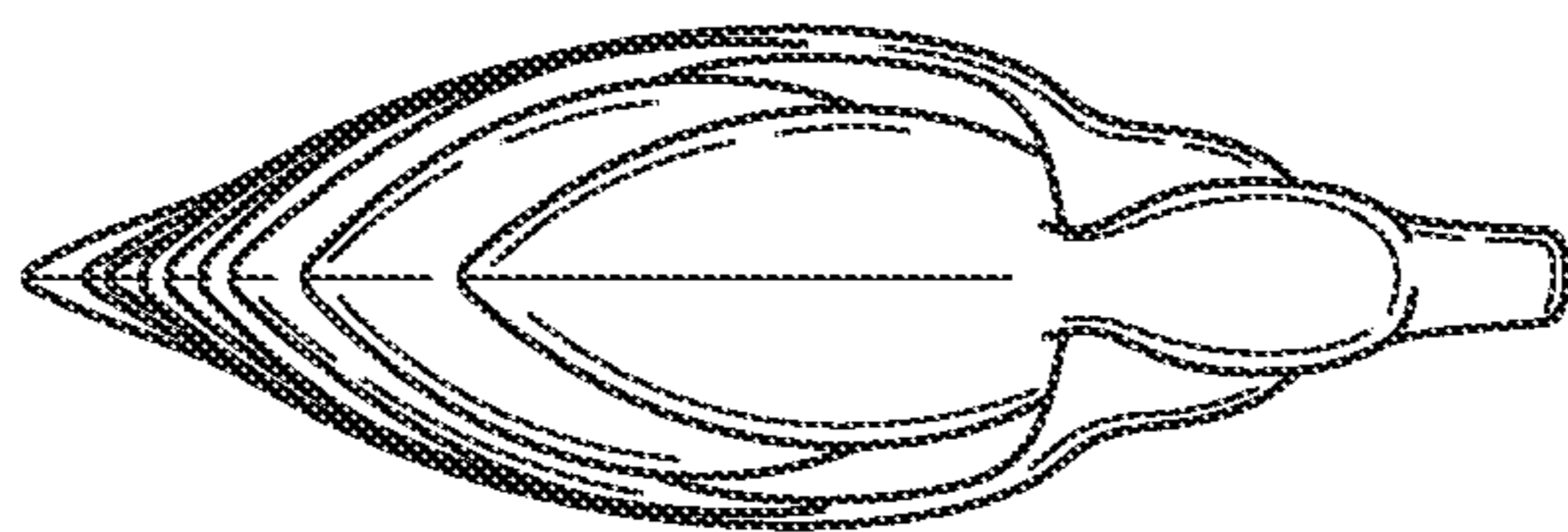


FIG. 6

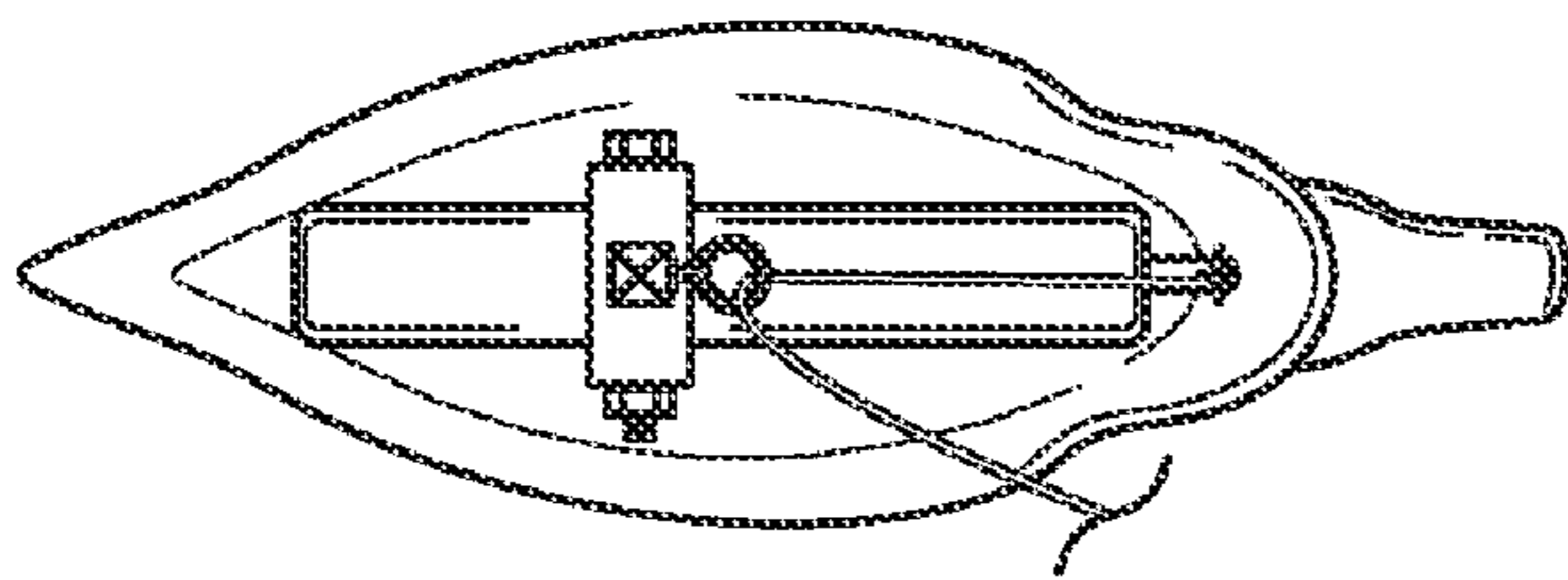


FIG. 7

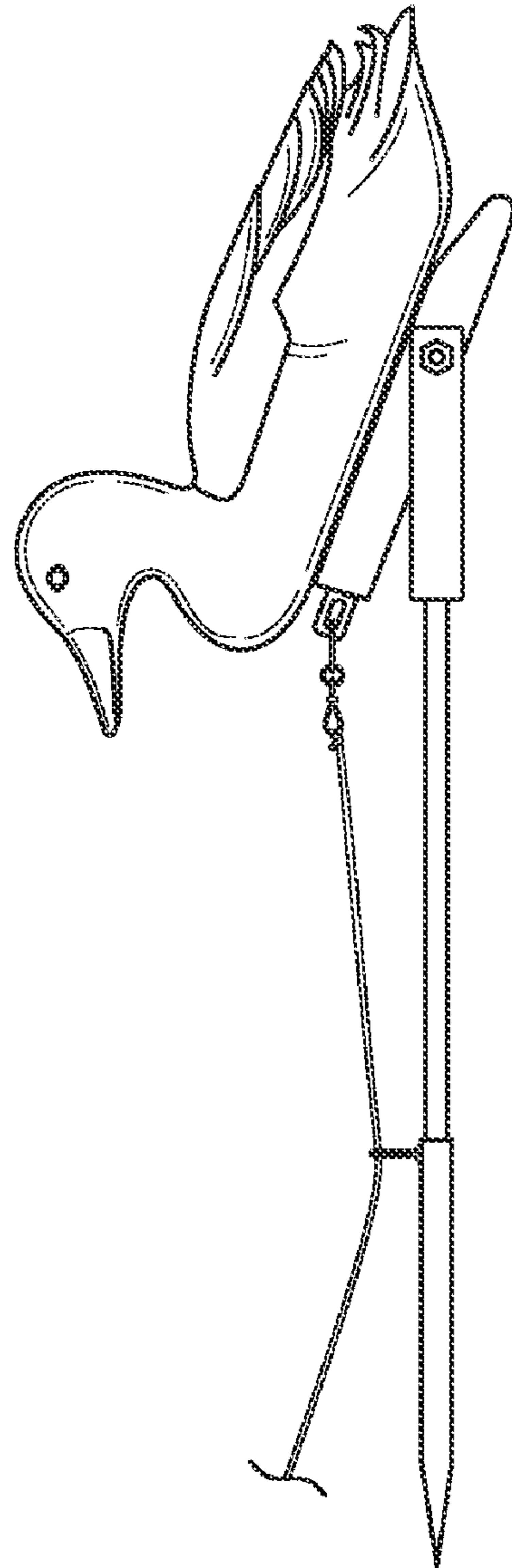


FIG. 8