



US00D560260S

(12) **United States Design Patent**
Flentye et al.

(10) **Patent No.:** **US D560,260 S**
(45) **Date of Patent:** **** Jan. 22, 2008**

(54) **INCLINED RISER FOR AN EXERCISE DEVICE**

(75) Inventors: **Herbert T. Flentye**, Glenview, IL (US);
Gregory Niederlander, Gurnee, IL (US)

(73) Assignee: **Spri Products, Inc.**, Libertyville, IL (US)

(**) Term: **14 Years**

(21) Appl. No.: **29/258,158**

(22) Filed: **Apr. 18, 2006**

(51) **LOC (8) Cl.** **21-02**

(52) **U.S. Cl.** **D21/694; D21/671**

(58) **Field of Classification Search** D21/336,
D21/662, 671, 685-686, 694; D6/349; 482/51-52
See application file for complete search history.

(56) **References Cited**

U.S. PATENT DOCUMENTS

4,073,454 A	2/1978	Sauber	
4,253,661 A	3/1981	Russell	
4,441,758 A *	4/1984	Fleischer et al.	297/423.46
4,678,234 A	7/1987	Wilson	
D298,266 S *	10/1988	Reyneke	D21/685
D330,057 S	10/1992	Saunders	
D330,234 S	10/1992	Saunders	
5,154,678 A *	10/1992	Adamczyk et al.	482/52
5,158,512 A	10/1992	Irwin et al.	
5,162,028 A	11/1992	Wilkinson	
5,169,360 A	12/1992	Saunders	
5,234,396 A *	8/1993	Wilkinson	482/142
5,269,735 A *	12/1993	Pfitzenmeier	482/52
D343,433 S	1/1994	Crosson	
5,318,489 A	6/1994	Irwin	
5,382,209 A *	1/1995	Pasier et al.	482/70
D359,323 S *	6/1995	Ross	D21/685
D360,767 S *	8/1995	Fish et al.	D6/349
5,439,008 A *	8/1995	Bowman	128/875

D364,202 S *	11/1995	Benson	D21/686
D367,369 S	2/1996	Lovegrove et al.	
5,492,298 A *	2/1996	Walker	248/346.01
D371,462 S *	7/1996	Grossmith	D6/349
5,620,404 A	4/1997	Eyman	
5,651,753 A	7/1997	Wilkinson	

(Continued)

OTHER PUBLICATIONS

Original Health Club and High Step Riser. Downloaded Oct. 11, 2007 at http://www.shopcathe.com/Original_Health_Club_and_High_Step_Riser_each_p/572.htm.*

(Continued)

Primary Examiner—Philip S. Hyder
Assistant Examiner—R. L. (Ulm) Cody

(74) *Attorney, Agent, or Firm*—Barnes & Thornburg LLP;
Thomas J. Donovan

(57) **CLAIM**

The ornamental design for an inclined riser for an exercise device, substantially as shown and described.

DESCRIPTION

FIG. 1 is a perspective view of an inclined riser for an exercise device.

FIG. 2 is a front view of the inclined riser for an exercise device.

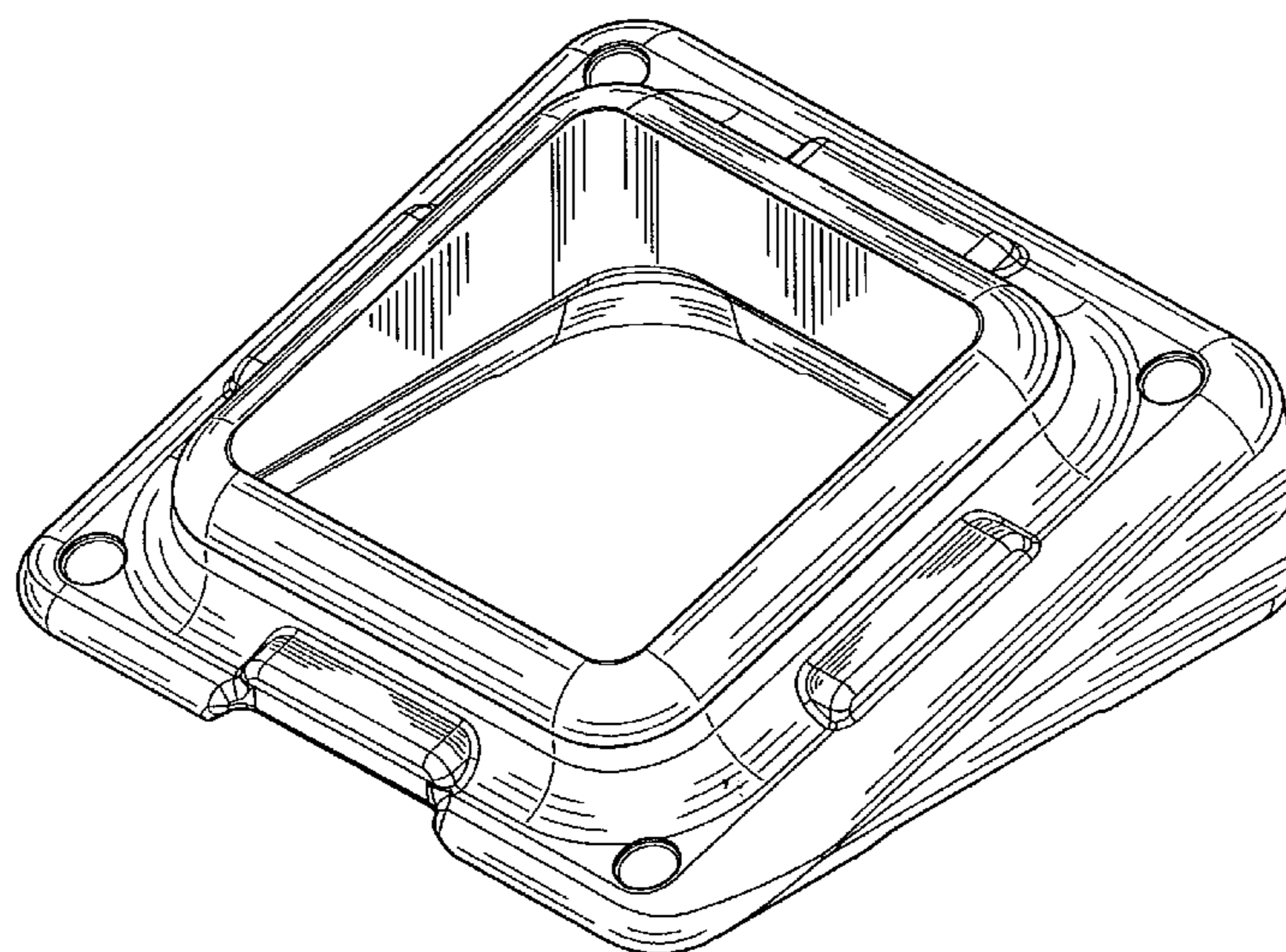
FIG. 3 is a rear view of the inclined riser for an exercise device.

FIG. 4 is a right side view of the inclined riser for an exercise device.

FIG. 5 is a top view of the inclined riser for an exercise device; and,

FIG. 6 is a bottom view of the inclined riser for an exercise device.

1 Claim, 3 Drawing Sheets



US D560,260 S

Page 2

U.S. PATENT DOCUMENTS

5,656,000 A 8/1997 Russell
D383,813 S * 9/1997 Zoller D21/685
5,672,144 A 9/1997 Hulme
5,823,488 A 10/1998 Nettekoven
5,954,303 A 9/1999 Wolf et al.
6,089,667 A 7/2000 Hobbs
6,132,338 A * 10/2000 Shifferaw 482/30
D449,357 S * 10/2001 Monter Villar et al. D21/686
D449,662 S * 10/2001 Monter Villar et al. D21/686
6,374,556 B2 4/2002 Crant et al.
6,524,355 B1 * 2/2003 Jenkins 48/52
D473,272 S * 4/2003 Heins D21/685
D484,554 S * 12/2003 Hellman et al. D21/669

6,926,643 B1 8/2005 Gvoich
7,070,540 B1 * 7/2006 Priester 482/14
D536,290 S * 2/2007 Yeh D12/203
2005/0014612 A1 * 1/2005 Sugiyama et al. 482/79
2006/0189448 A1 * 8/2006 Flentye et al. 482/52
2006/0189449 A1 * 8/2006 Flentye et al. 482/52

OTHER PUBLICATIONS

Office Action dated May 21, 1991 for U.S. Appl. No. 07/418,159.
Office Action dated Jul. 6, 1992 for U.S. Appl. No. 07/849,286.
Sportime ("Step' for Rehab, Not Just for Aerobics." Abilitations
Spring 1995: 114).

* cited by examiner

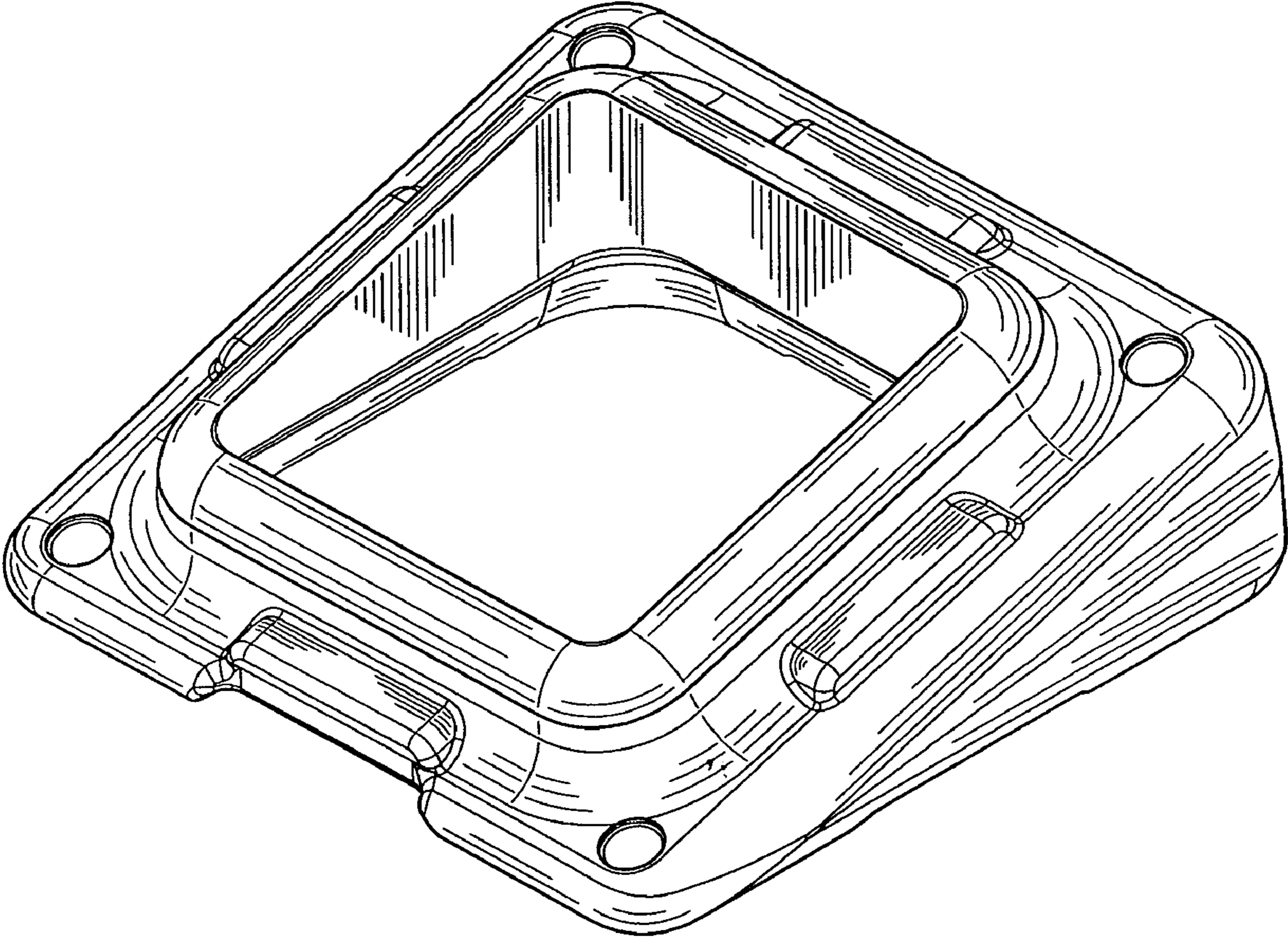


FIG. 1

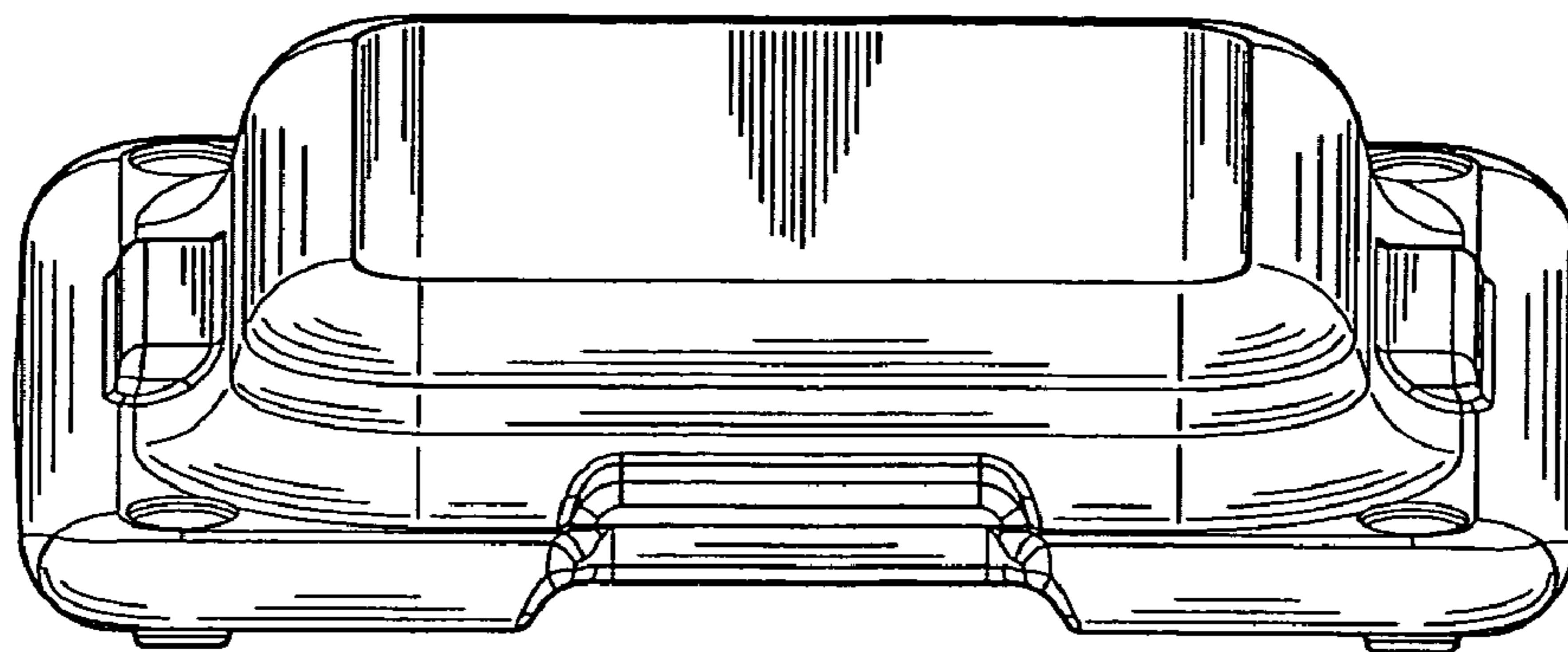


FIG. 2

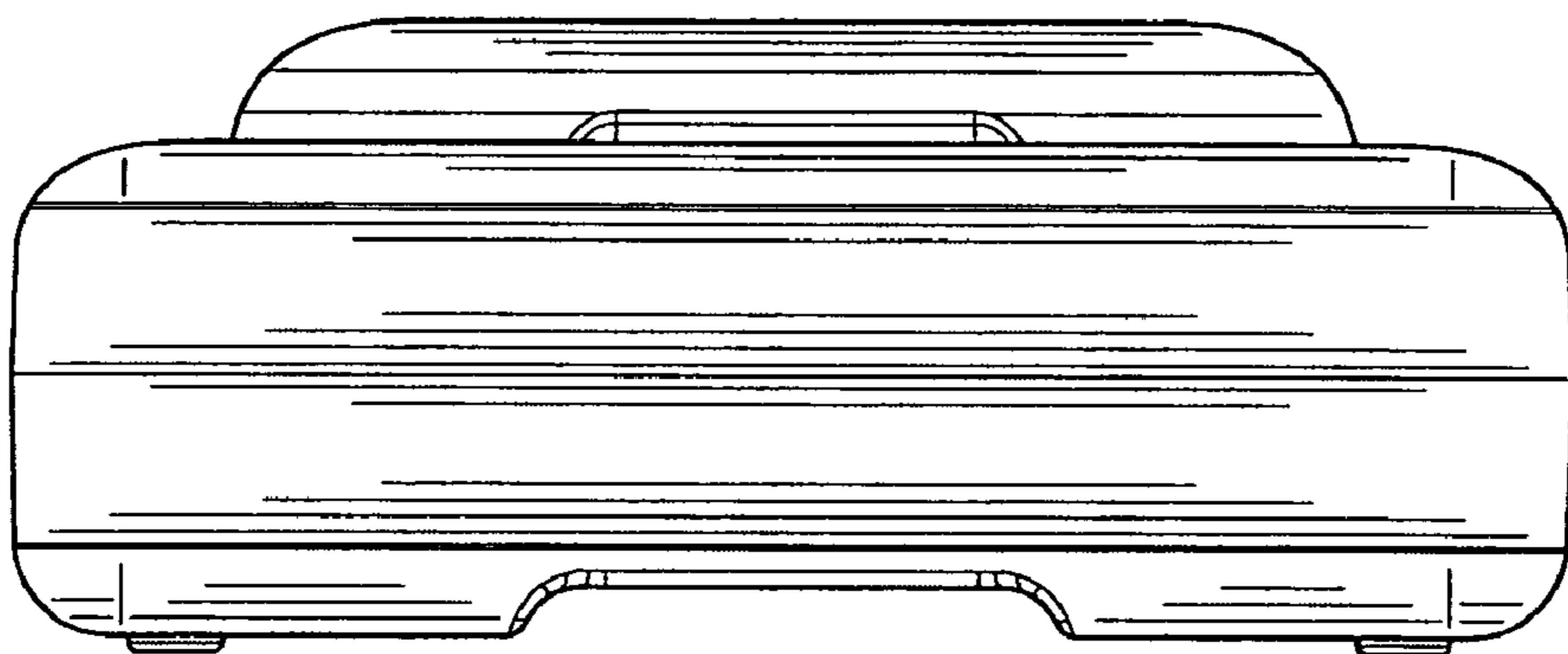


FIG. 3

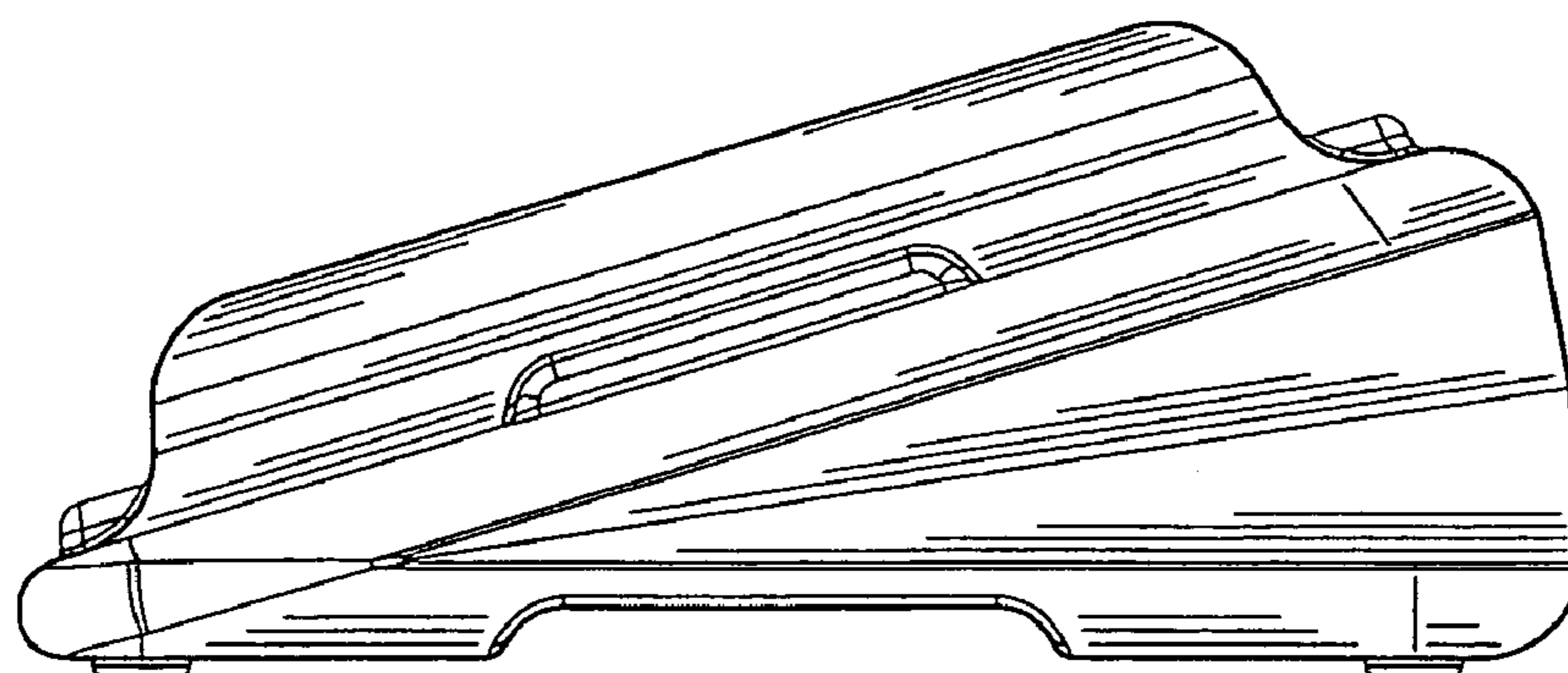


FIG. 4

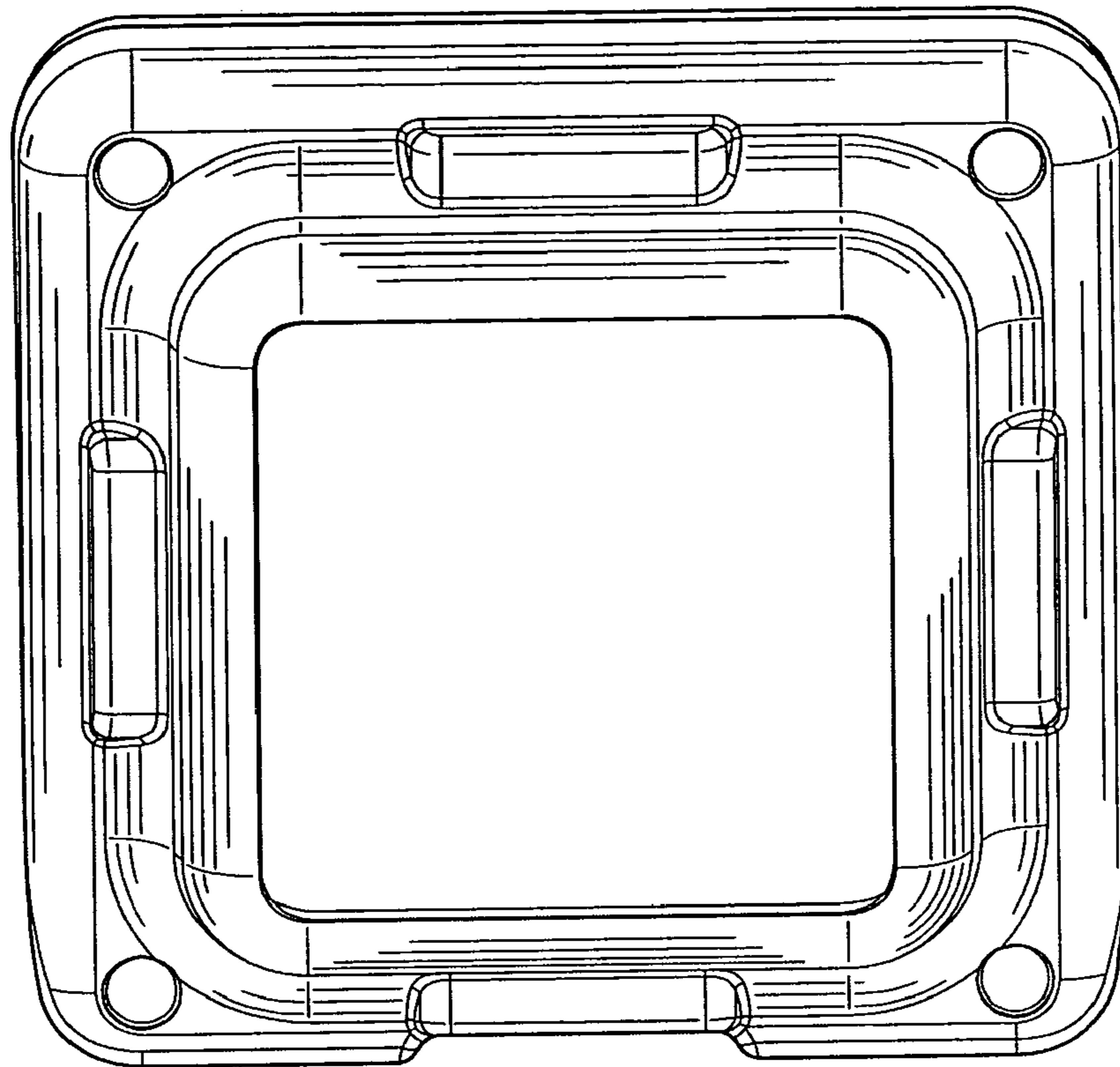


FIG. 5

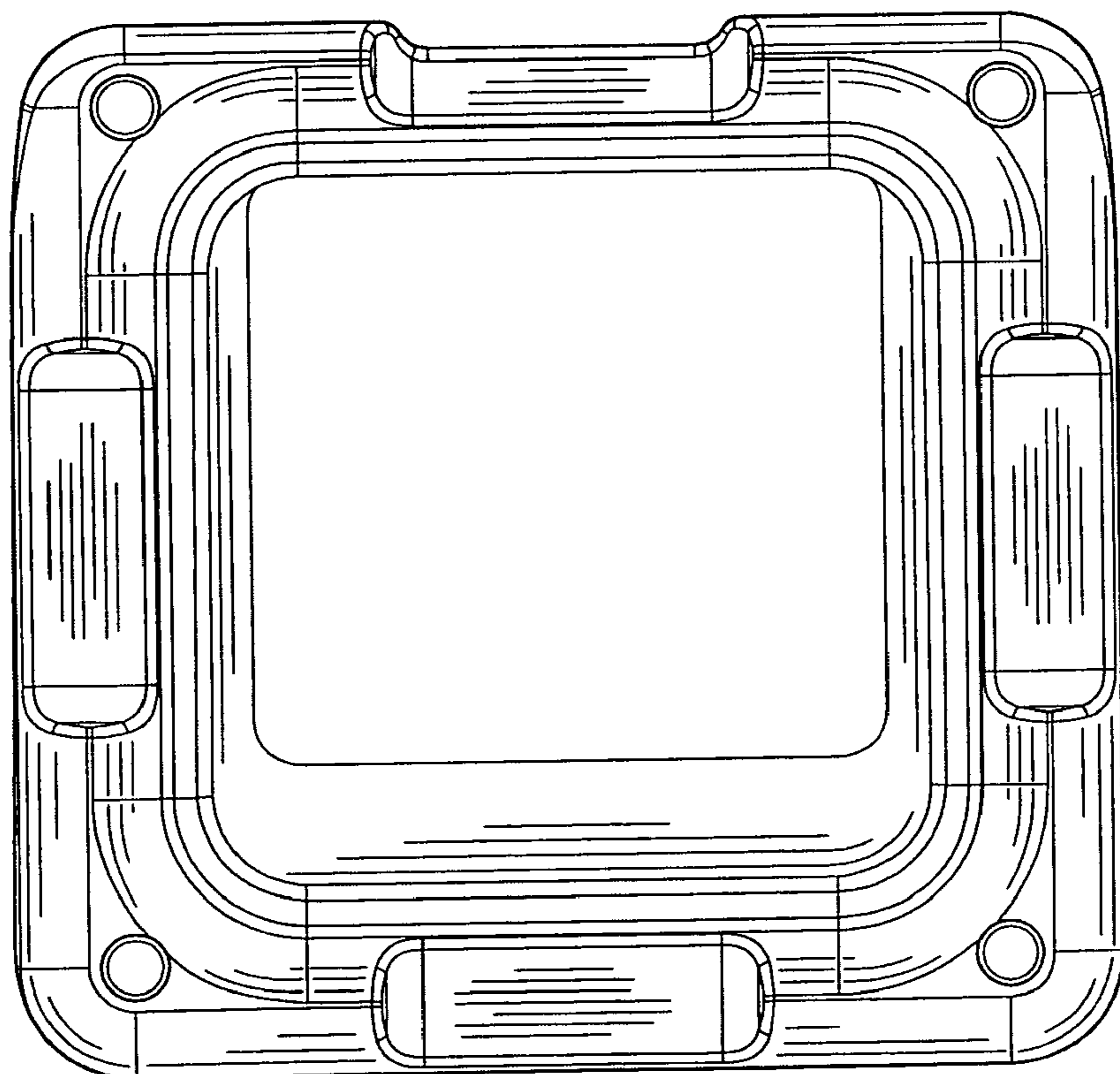


FIG. 6