



US00D560250S

(12) **United States Design Patent**
Ito

(10) **Patent No.:** **US D560,250 S**
(45) **Date of Patent:** **** Jan. 22, 2008**

(54) **PRINTER**

(75) Inventor: **Hideki Ito**, Wako (JP)

(73) Assignee: **Canon Kabushiki Kaisha**, Tokyo (JP)

(**) Term: **14 Years**

(21) Appl. No.: **29/263,694**

(22) Filed: **Jul. 28, 2006**

(30) **Foreign Application Priority Data**

Feb. 2, 2006 (JP) 2006-002264

(51) **LOC (8) Cl.** **18-02**

(52) **U.S. Cl.** **D18/50**

(58) **Field of Classification Search** D18/50,
D18/54, 54.1, 55; D14/420-425, 462-470;
400/613, 613.1-613.4, 691-694, 690.1-690.4
See application file for complete search history.

(56) **References Cited**

U.S. PATENT DOCUMENTS

D210,427 S *	3/1968	Bravo et al.	D18/37
D304,722 S *	11/1989	Hashimoto et al.	D14/467
D325,927 S *	5/1992	Fushiya	D18/54
D344,080 S *	2/1994	Omimo	D14/468
5,567,068 A *	10/1996	Egashira et al.	400/691
D433,443 S	11/2000	Ito et al.	D18/55
D434,793 S	12/2000	Chiba et al.	D18/56
D435,266 S	12/2000	Sekine et al.	D18/55

D436,123 S	1/2001	Ito et al.	D18/54
D437,880 S	2/2001	Chiba et al.	D18/56
D442,625 S	5/2001	Chiba et al.	D18/56
D447,766 S *	9/2001	Obara et al.	D18/50
D478,594 S *	8/2003	Ichiyoshi et al.	D14/422
D516,121 S *	2/2006	Suzuki et al.	D18/55
D519,551 S *	4/2006	Suzuki et al.	D18/55
D522,571 S *	6/2006	Senda et al.	D18/54
D526,352 S *	8/2006	Suzuki et al.	D18/55
D542,292 S *	5/2007	Kitamura et al.	D14/422
2003/0063337 A1 *	4/2003	Shirai et al.	358/498

* cited by examiner

Primary Examiner—Cathy Anne MacCormac

(74) *Attorney, Agent, or Firm*—Fitzpatrick, Cella, Harper & Scinto

(57) **CLAIM**

The ornamental design for a printer, as shown and described.

DESCRIPTION

FIG. 1 is a front view of a printer showing my new design;

FIG. 2 is a rear view thereof;

FIG. 3 is a top plan view thereof;

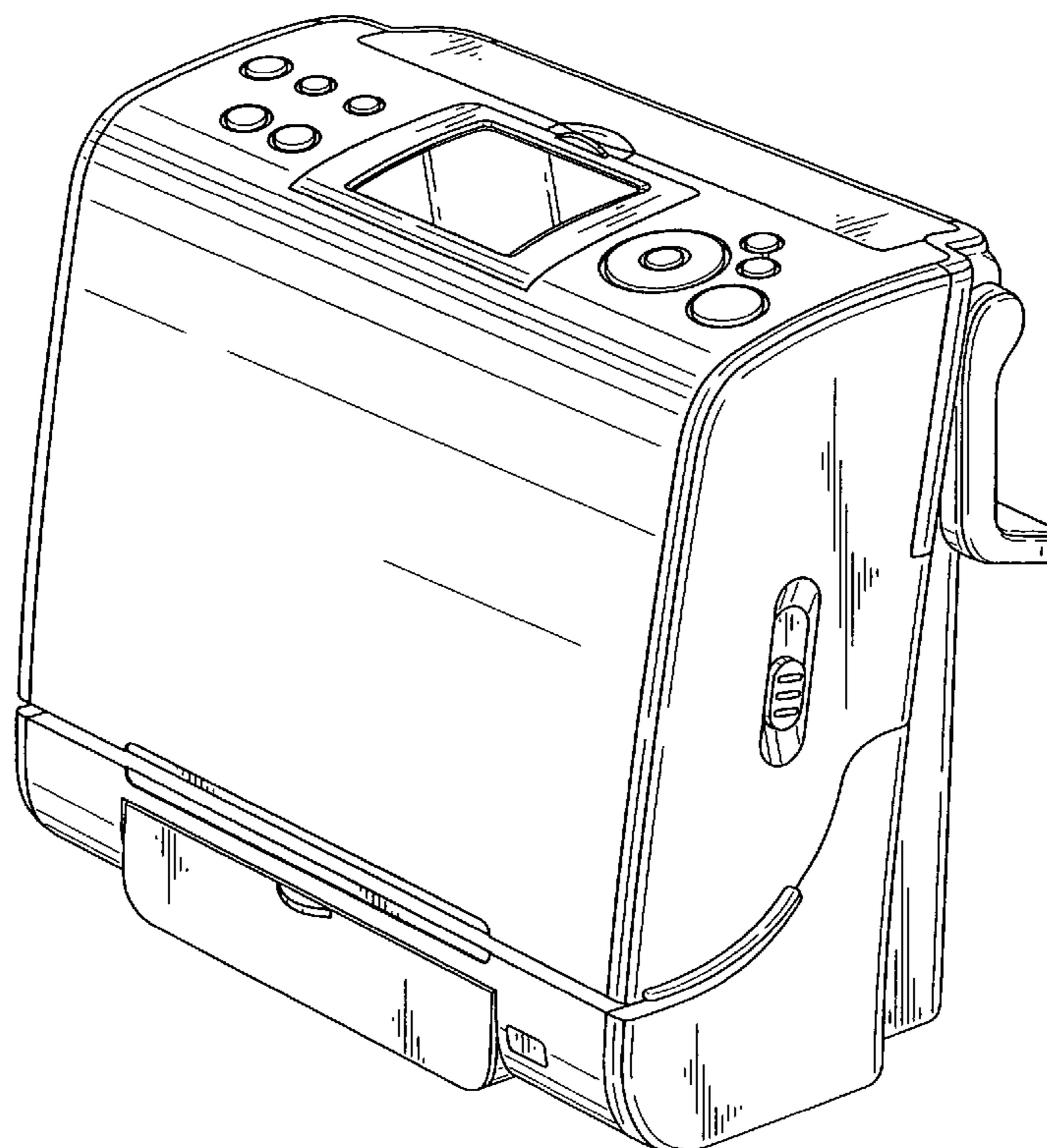
FIG. 4 is a bottom plan view thereof;

FIG. 5 is a left side view thereof;

FIG. 6 is a right side view thereof; and,

FIG. 7 is a perspective view thereof.

1 Claim, 5 Drawing Sheets



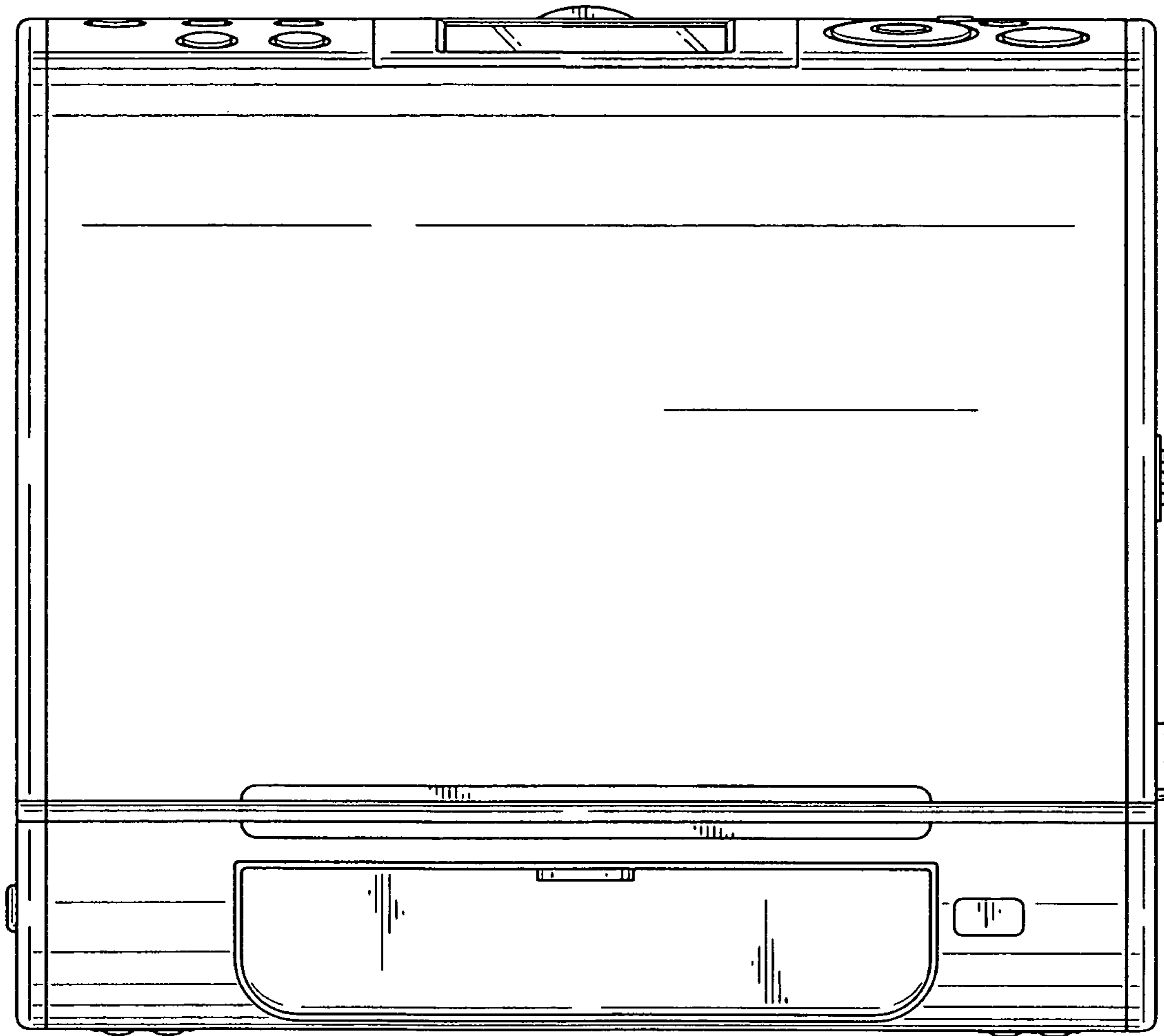


FIG. 1

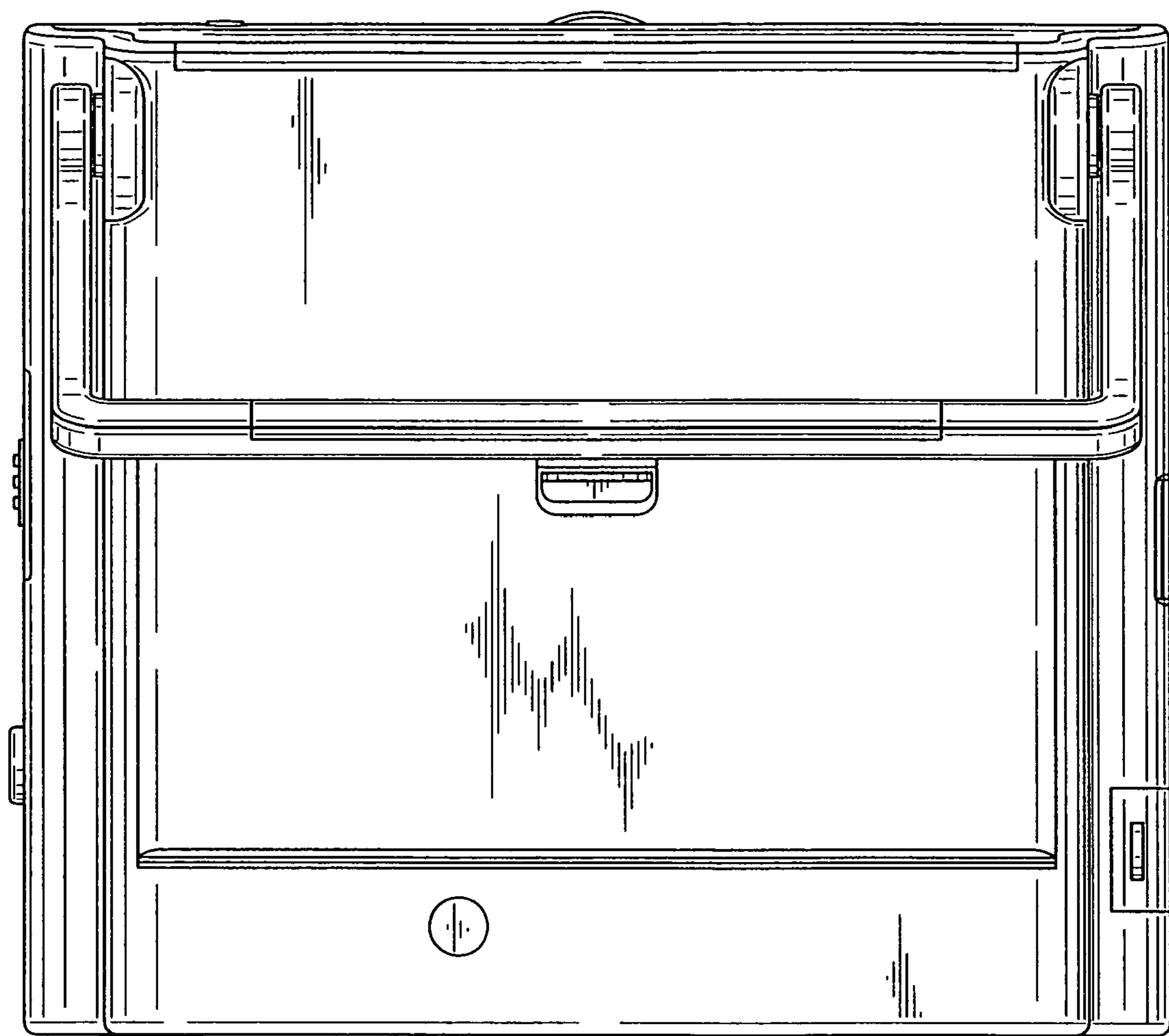


FIG. 2

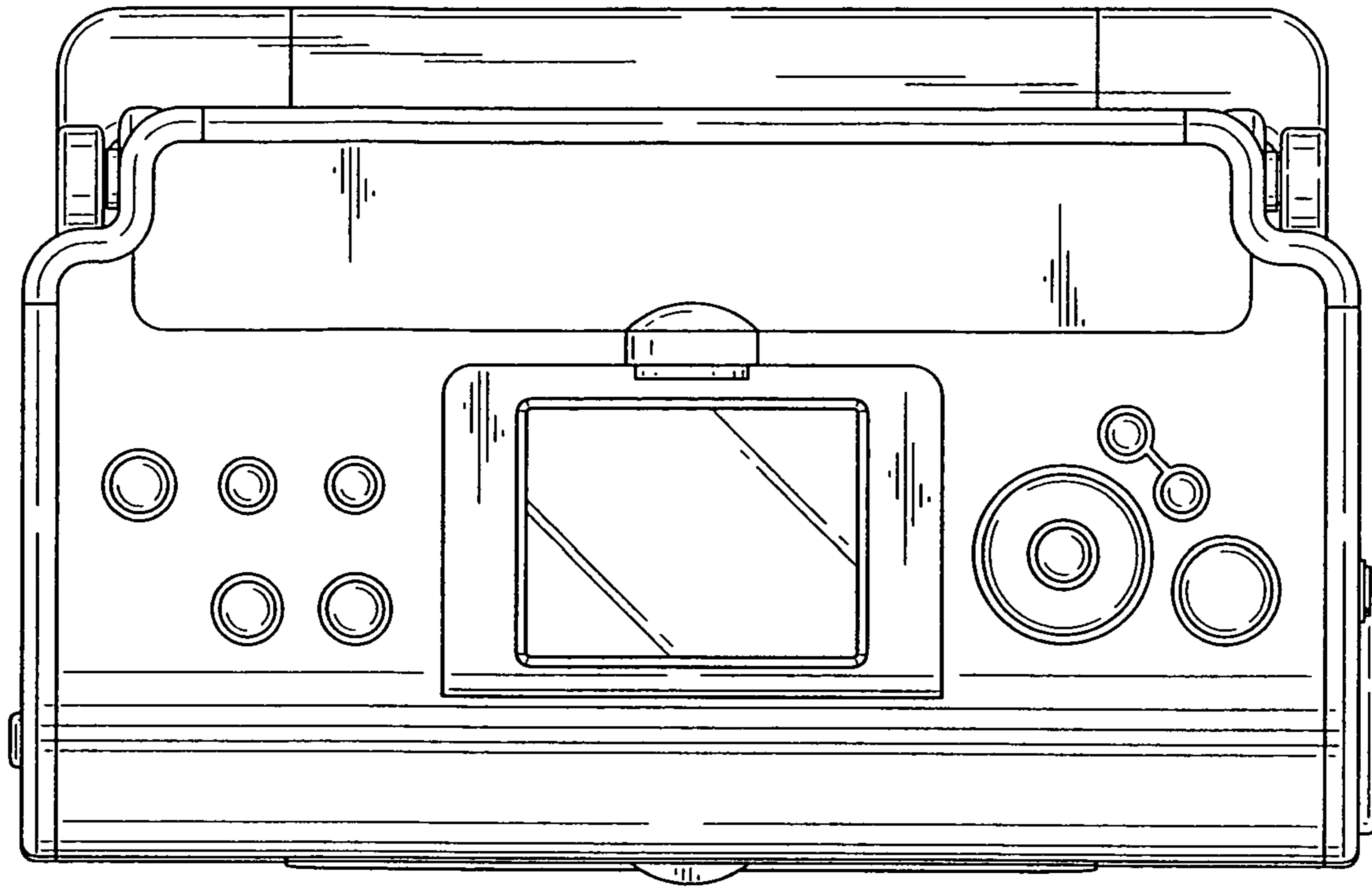


FIG. 3

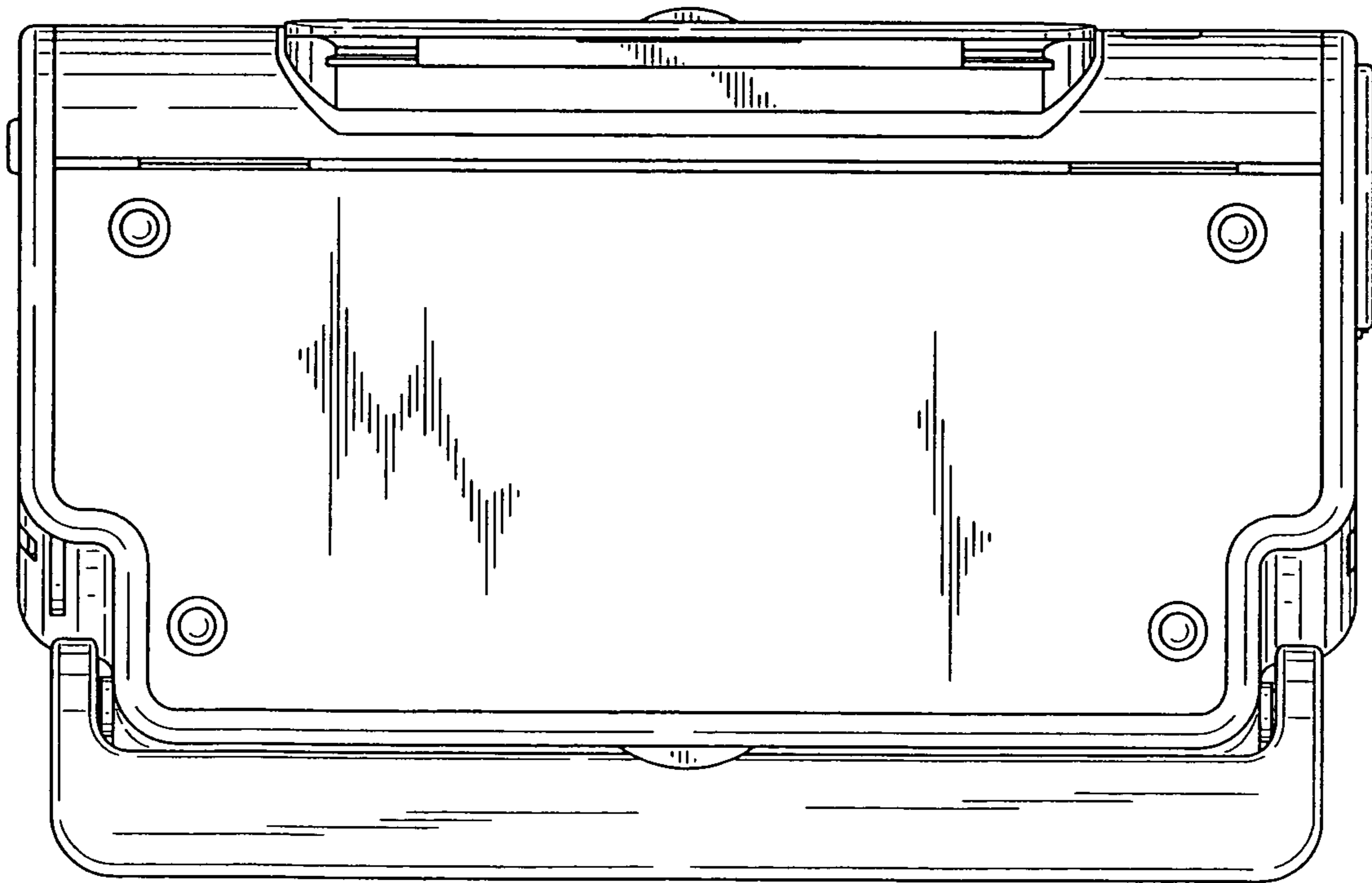


FIG. 4

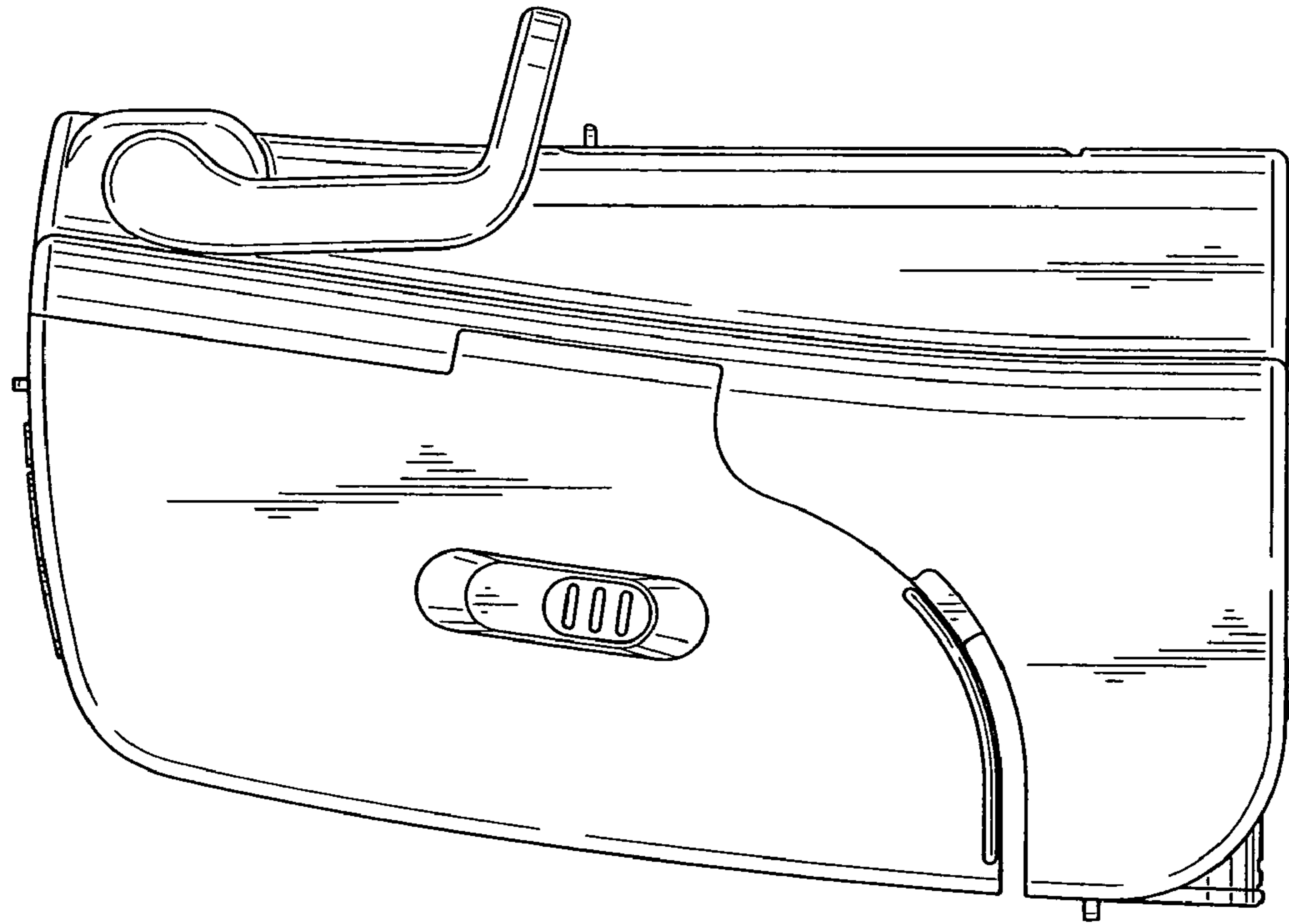


FIG. 6

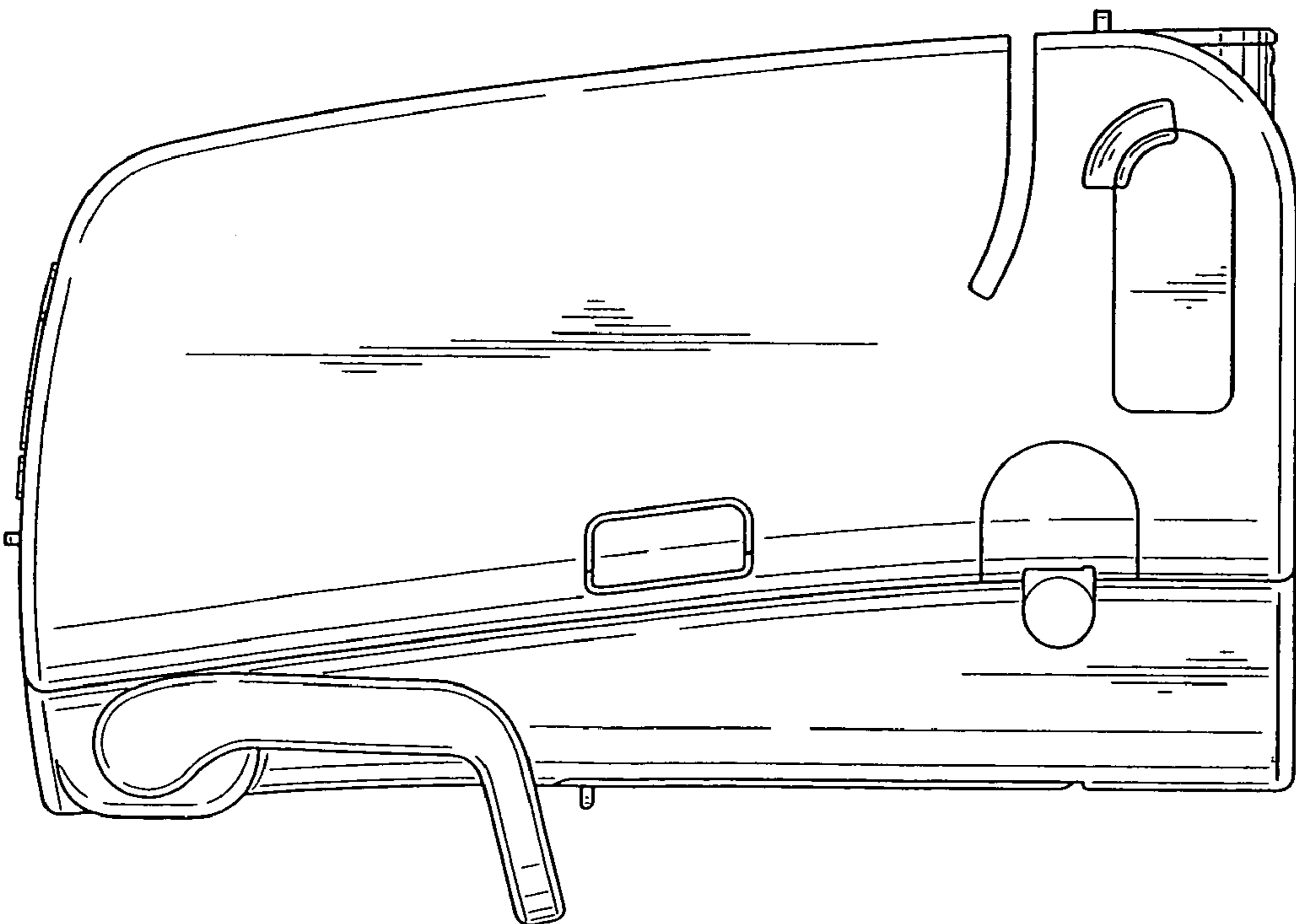


FIG. 5

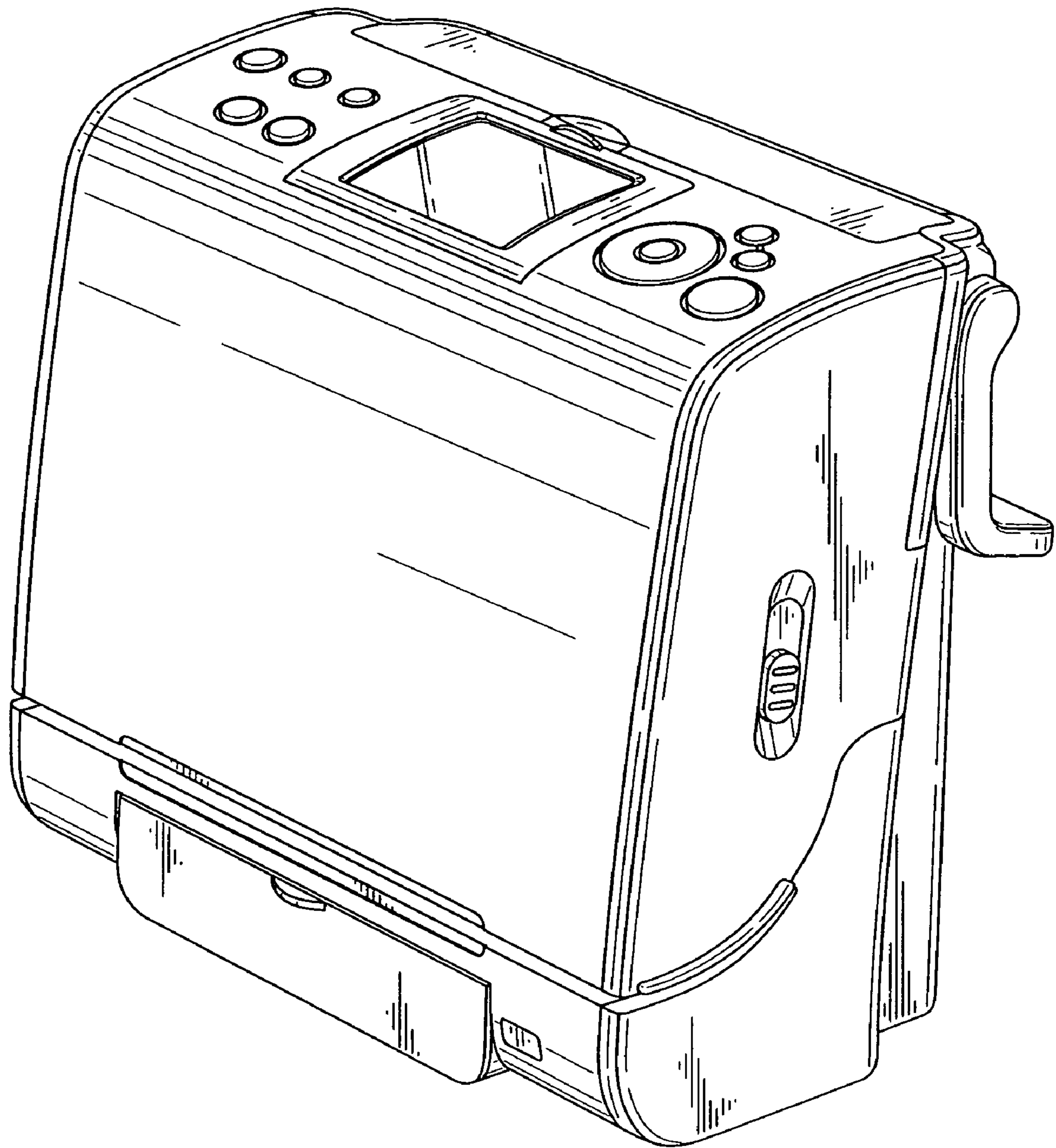


FIG. 7