



US00D560246S

(12) **United States Design Patent**  
**Nakamura**

(10) **Patent No.:** **US D560,246 S**

(45) **Date of Patent:** **\*\* Jan. 22, 2008**

(54) **CAMERA**

(75) **Inventor:** **Takatoshi Nakamura**, Shinagawa-ku  
(JP)

(73) **Assignee:** **Sony Computer Entertainment Inc.**,  
Tokyo (JP)

(\*\*) **Term:** **14 Years**

(21) **Appl. No.:** **29/263,559**

(22) **Filed:** **Jul. 26, 2006**

(30) **Foreign Application Priority Data**

Jan. 31, 2006 (JP) ..... D2006-002052

(51) **LOC (8) Cl.** ..... **16-05**

(52) **U.S. Cl.** ..... **D16/219; D16/218**

(58) **Field of Classification Search** ..... D16/200-206,  
D16/208, 212, 213, 218, 219; 348/373-376;  
358/909.1; 396/535-541

See application file for complete search history.

(56) **References Cited**

**U.S. PATENT DOCUMENTS**

D216,839 S \* 3/1970 Rhoades ..... D16/221  
D258,444 S \* 3/1981 Mineshima ..... D16/218  
4,281,343 A \* 7/1981 Monteiro ..... 348/373  
D378,095 S \* 2/1997 Hasegawa ..... D16/203

D454,902 S \* 3/2002 Hsu et al. .... D16/218  
D506,215 S \* 6/2005 Lin et al. .... D16/218  
D528,576 S \* 9/2006 Chung et al. .... D16/202

\* cited by examiner

*Primary Examiner*—Adir Aronovich

(74) *Attorney, Agent, or Firm*—Rader, Fishman & Grauer  
PLLC

(57) **CLAIM**

The ornamental design for a camera, as shown and described.

**DESCRIPTION**

FIG. 1 is a perspective view of a camera showing my new design;

FIG. 2 is a front elevational perspective view thereof;

FIG. 3 is a rear elevational view thereof;

FIG. 4 is a left elevational view thereof;

FIG. 5 is a right elevational view thereof;

FIG. 6 is a top plan view thereof; and,

FIG. 7 is a bottom plan view thereof.

The portions indicated in broken lines are for illustrative purpose only and form no part of the claimed design.

**1 Claim, 7 Drawing Sheets**

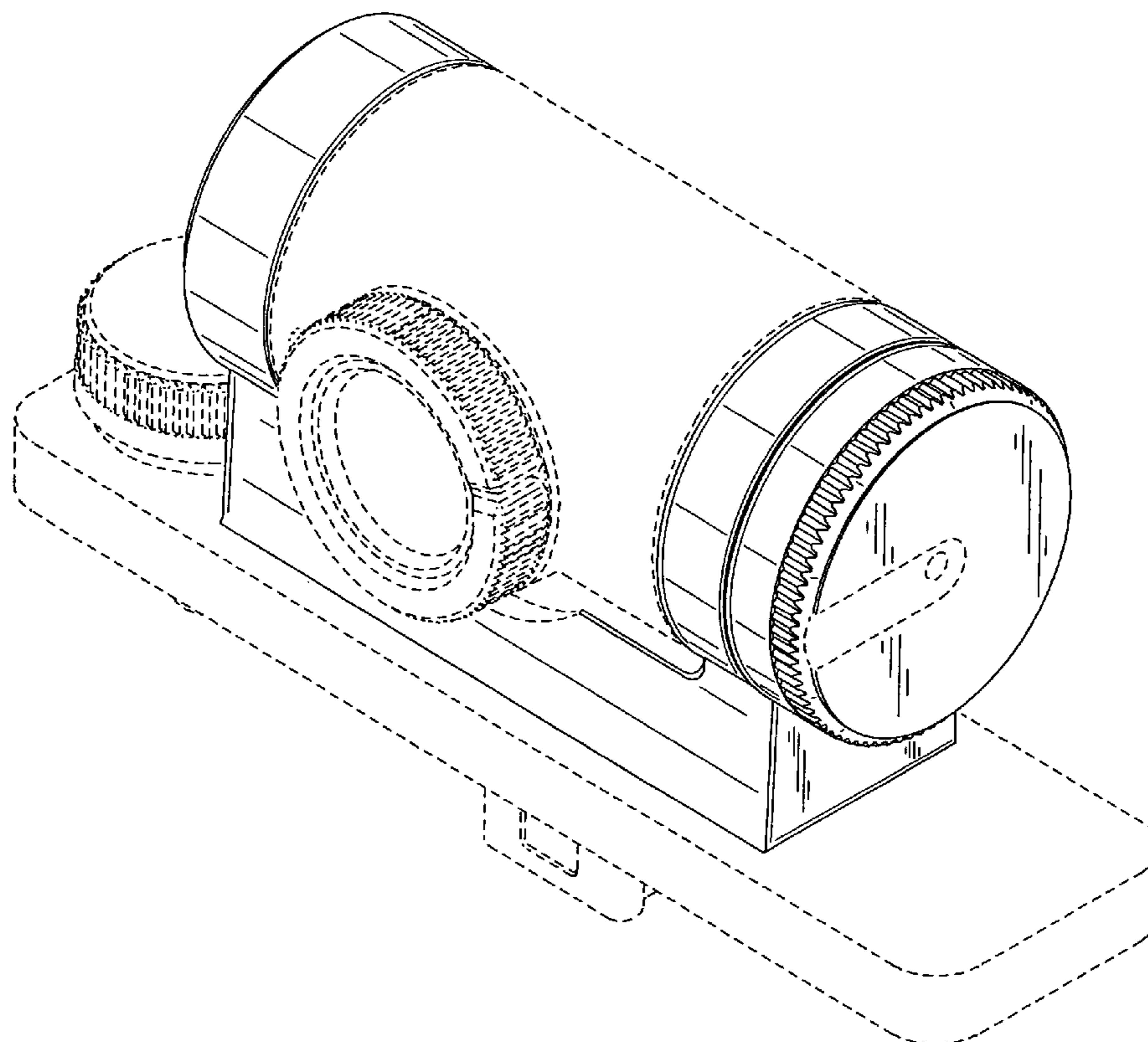


Fig.1

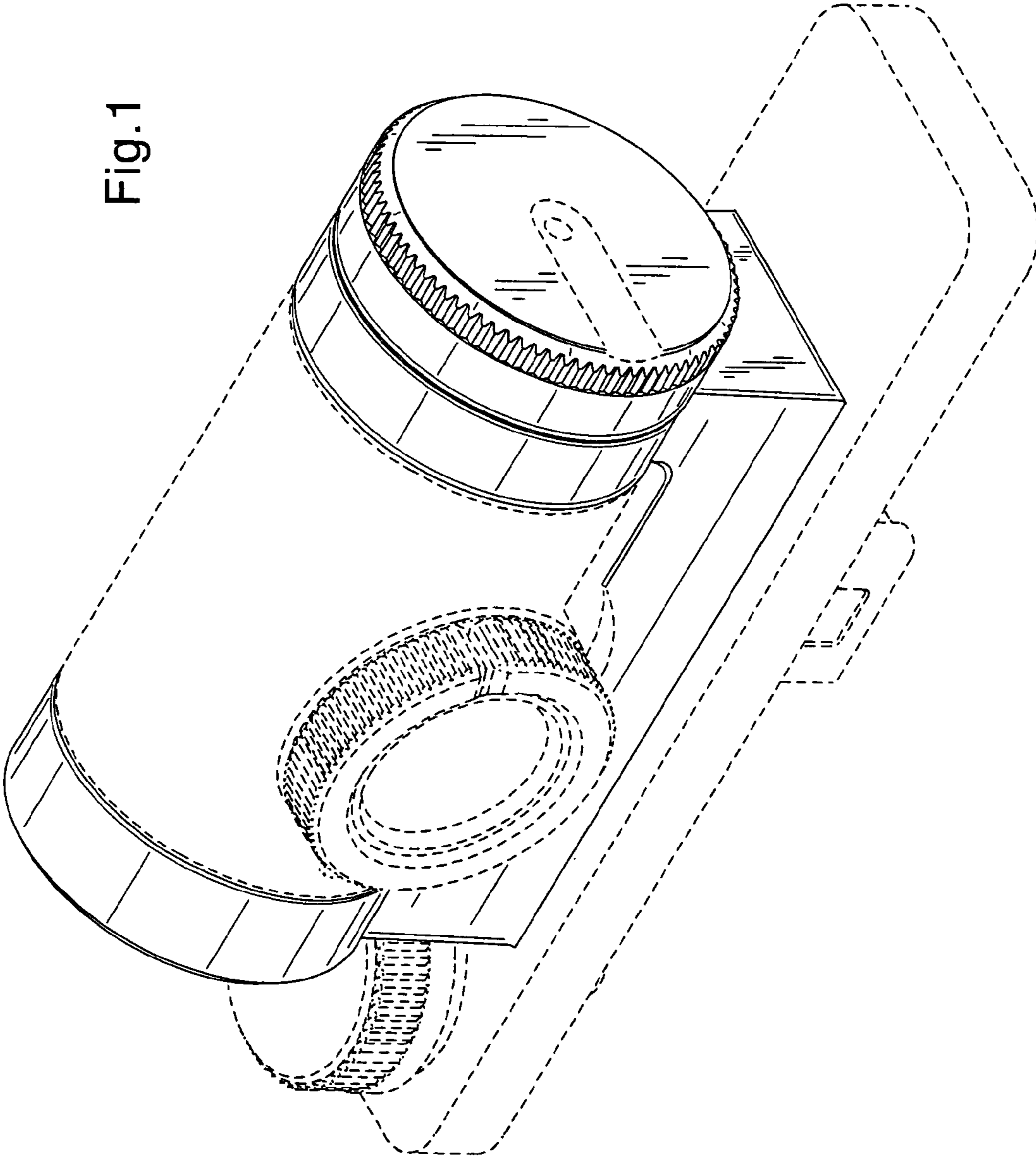


Fig. 2

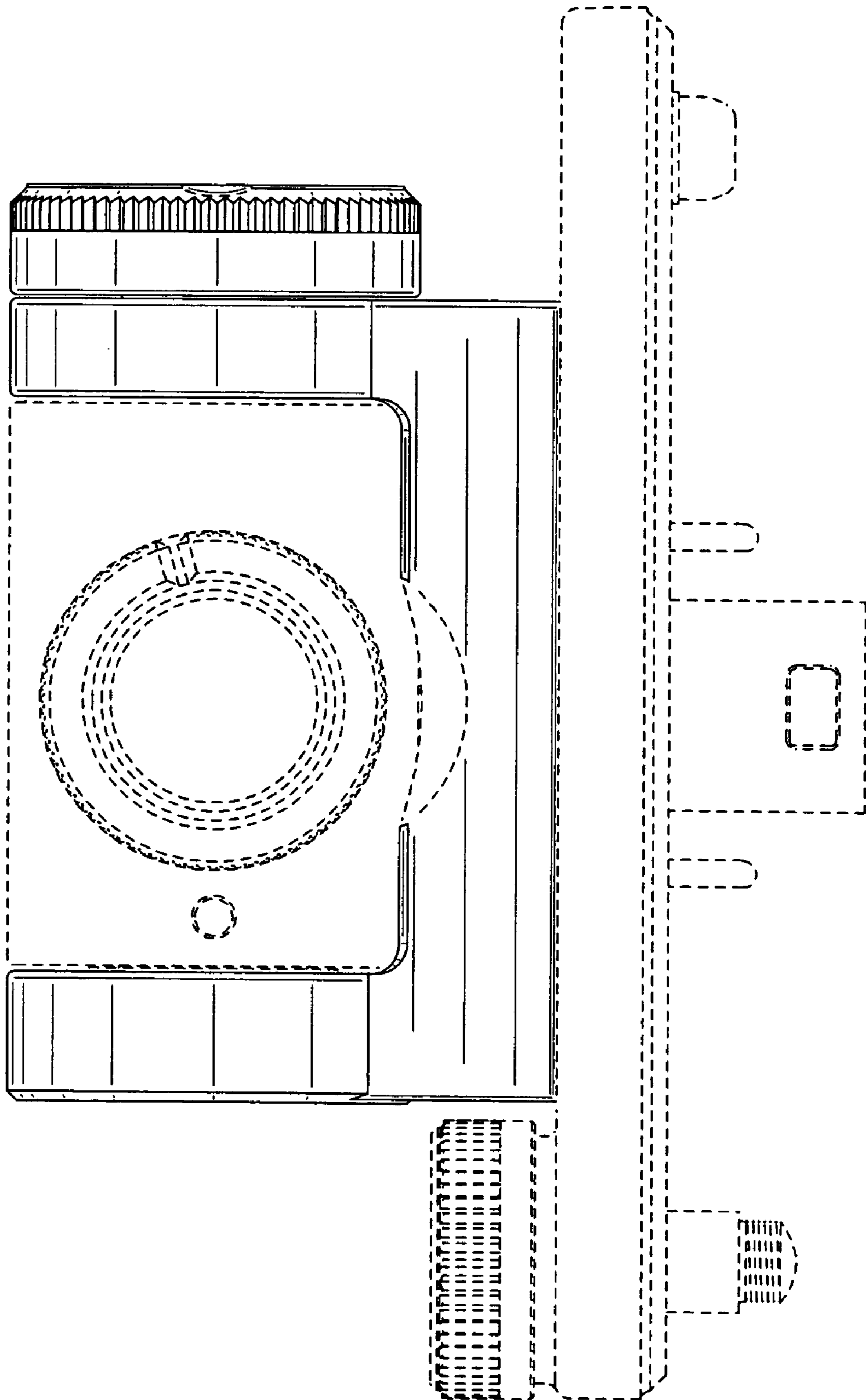


Fig. 3

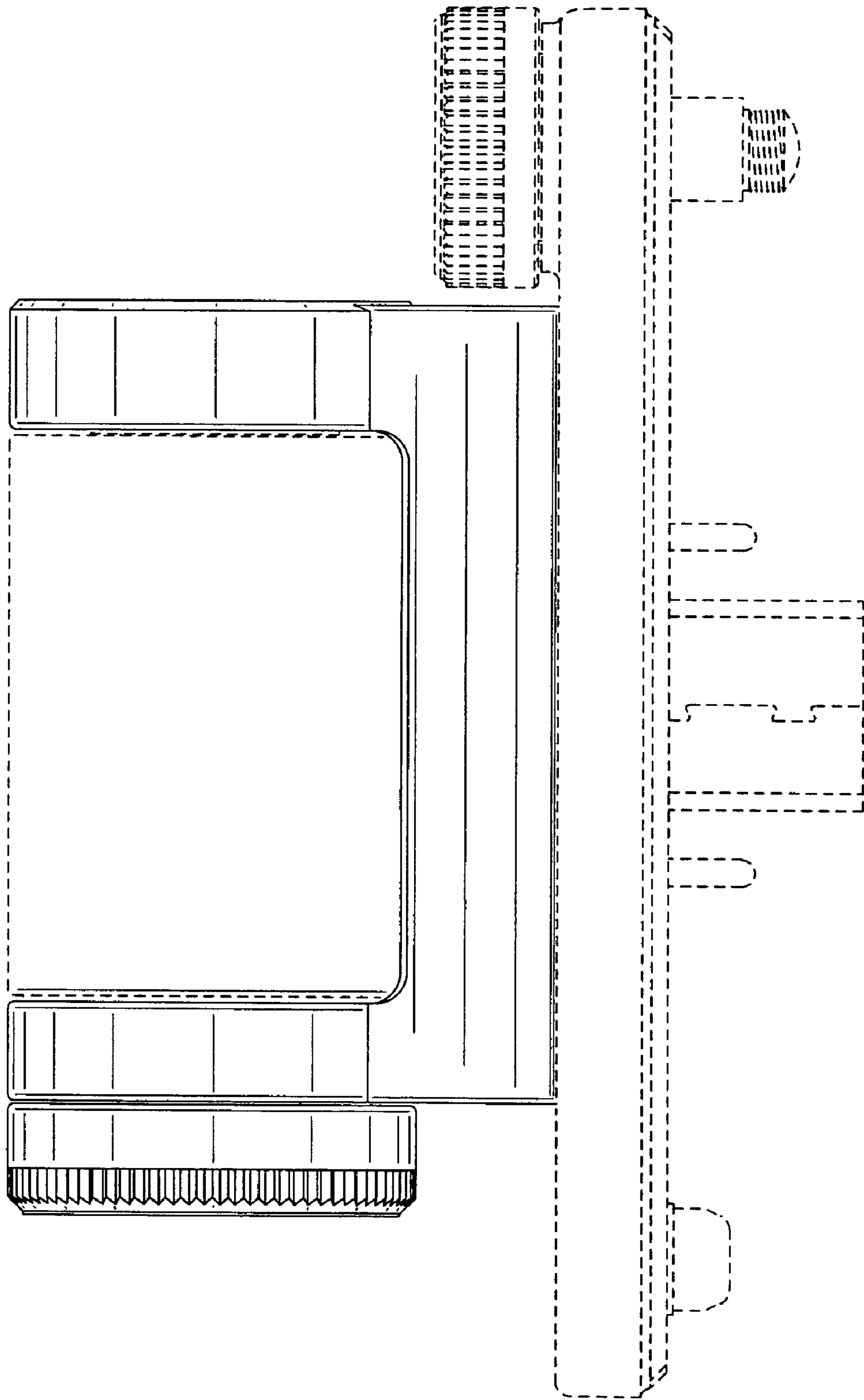


Fig. 4

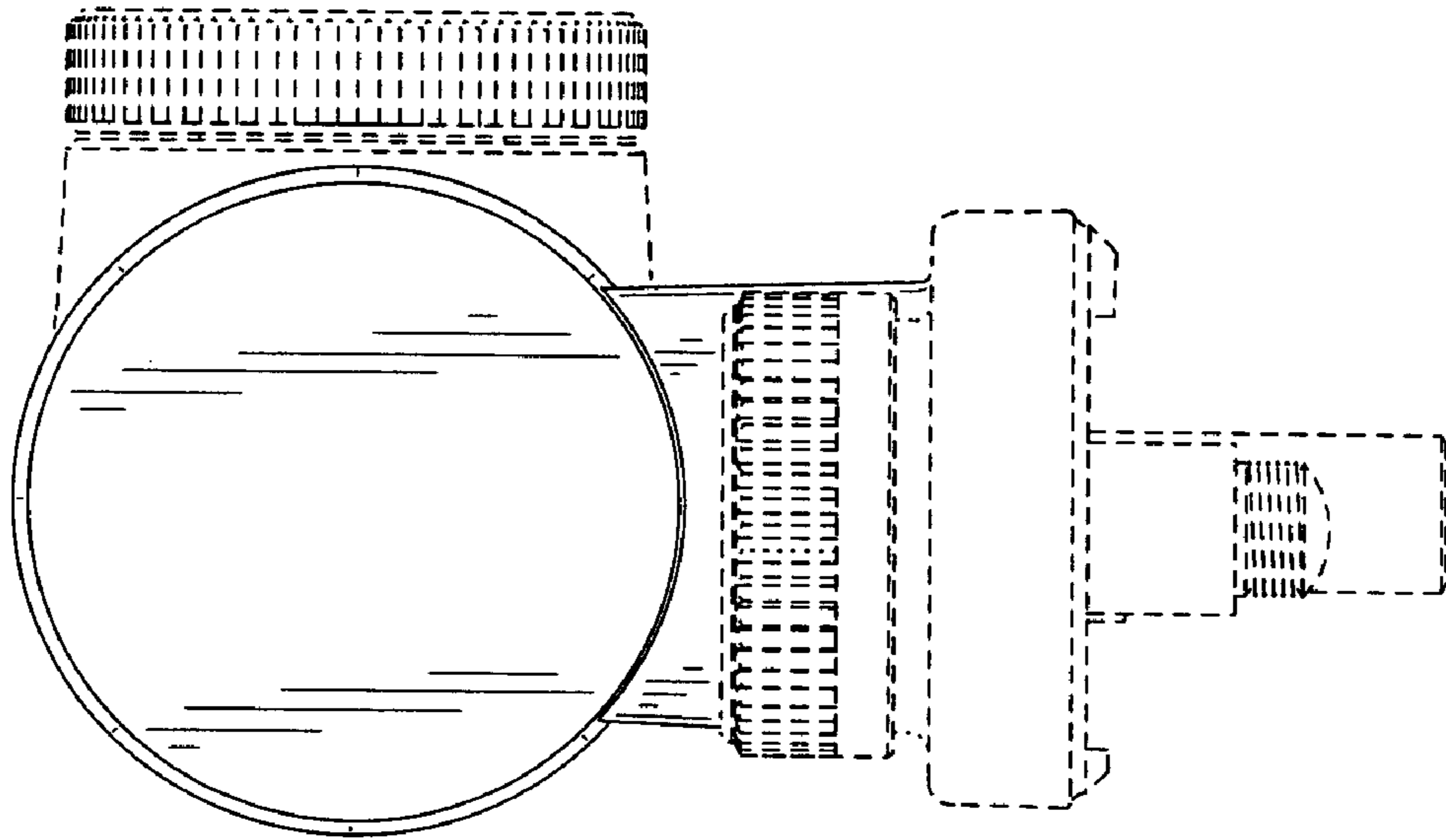


Fig.5

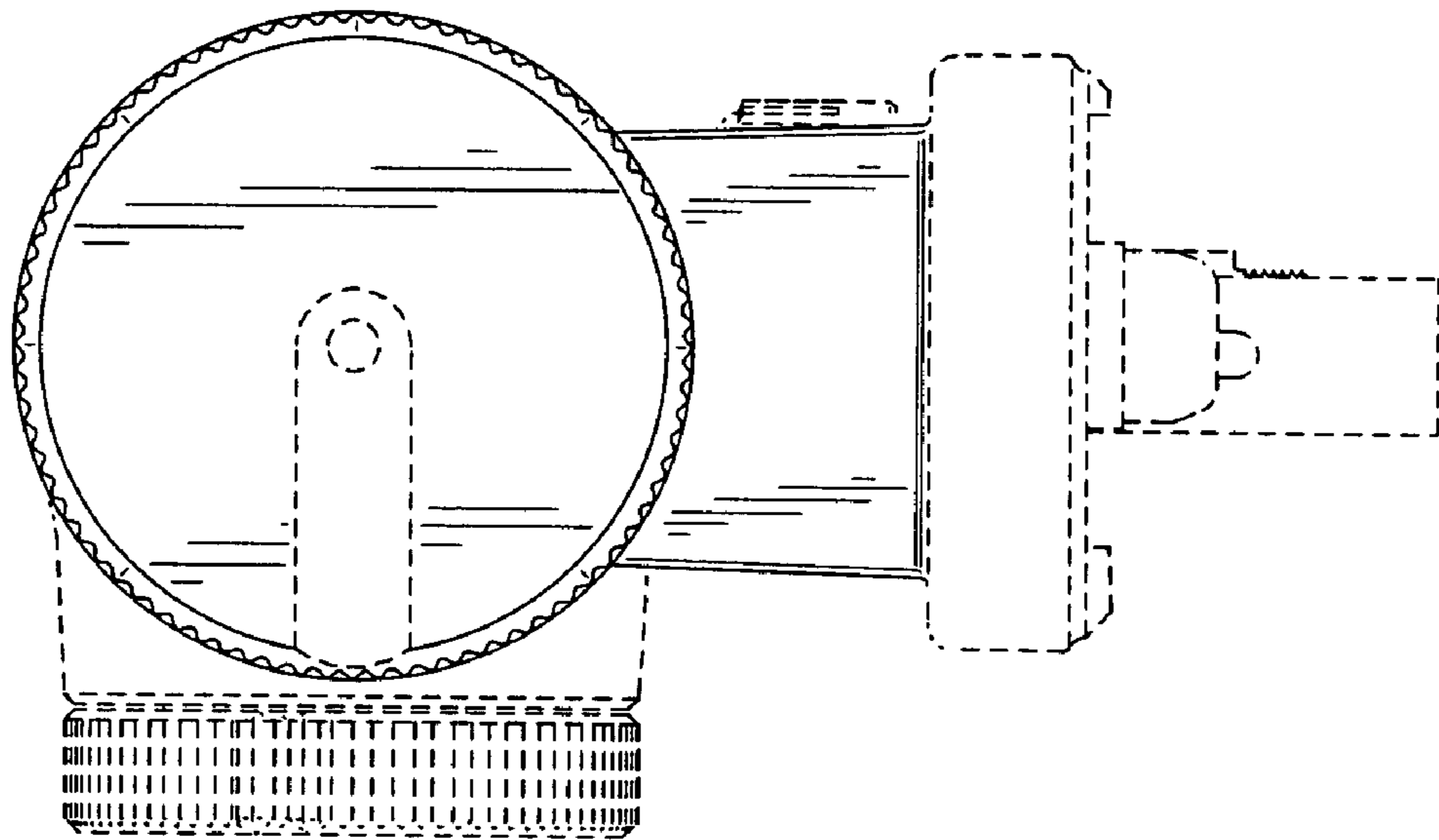


Fig.6

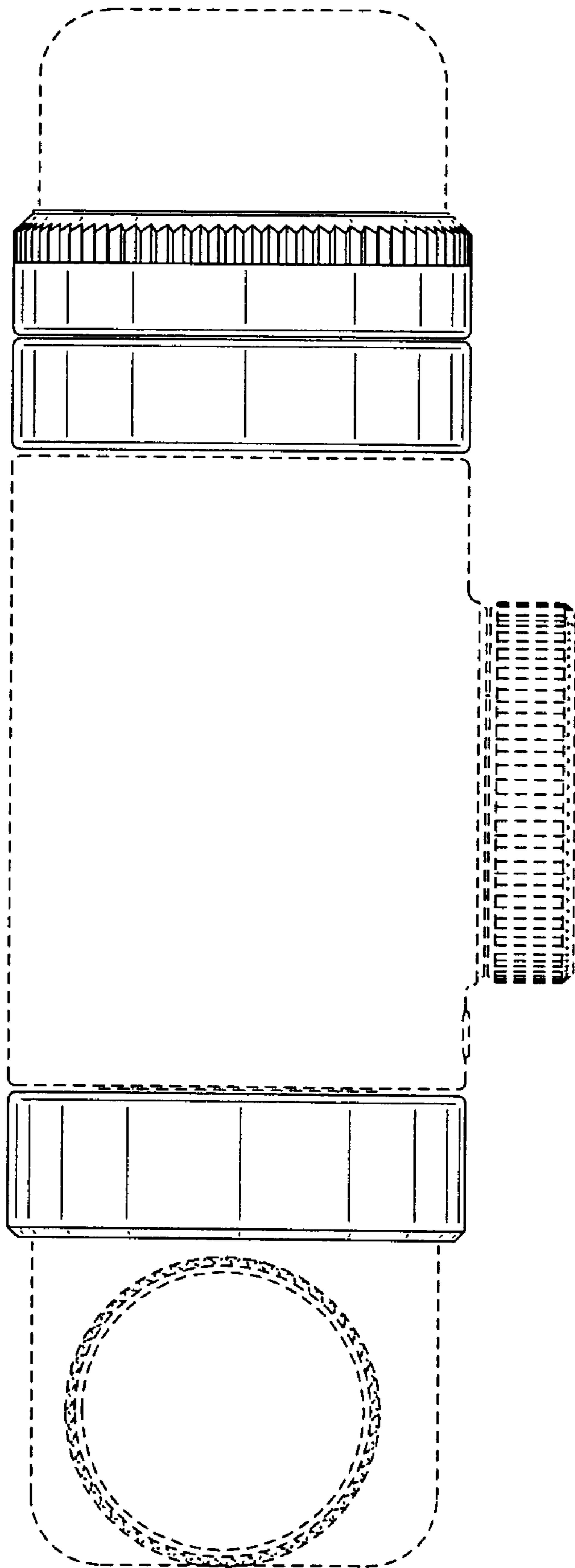


Fig. 7

