

US00D560244S

(12) **United States Design Patent**  
**Naruki**

(10) **Patent No.:** **US D560,244 S**  
(45) **Date of Patent:** **\*\* Jan. 22, 2008**

(54) **CAMERA FOR MONITORING**  
(75) Inventor: **Masatomo Naruki**, Kawasaki (JP)  
(73) Assignee: **Kabushiki Kaisha Toshiba** (JP)  
(\*\*) Term: **14 Years**  
(21) Appl. No.: **29/267,586**  
(22) Filed: **Oct. 18, 2006**

(30) **Foreign Application Priority Data**  
Aug. 29, 2006 (JP) ..... 2006-022766

(51) **LOC (8) Cl.** ..... **16-01**  
(52) **U.S. Cl.** ..... **D16/203**  
(58) **Field of Classification Search** ..... D16/200–205,  
D16/208, 218, 219; 348/143, 151, 373–376;  
396/427, 535, 536–541  
See application file for complete search history.

(56) **References Cited**  
U.S. PATENT DOCUMENTS

D412,924 S	8/1999	Hiraguchi	
D416,273 S	11/1999	Yamakawa et al.	
6,268,882 B1 *	7/2001	Elberbaum	348/151
D449,630 S	10/2001	Rak et al.	
D452,696 S	1/2002	Fenton	
D473,888 S	4/2003	Jones et al.	
6,678,001 B1	1/2004	Elberbaum	

6,715,940 B2 *	4/2004	Top et al.	396/427
D491,968 S	6/2004	Isshiki	
D494,992 S	8/2004	Seo	
D497,927 S *	11/2004	Arbuckle et al.	D16/203
D499,126 S *	11/2004	Kato et al.	D16/203
D501,863 S *	2/2005	Nagai	D16/203
D507,804 S *	7/2005	Nagai	D16/203
D508,067 S	8/2005	Deguchi	
D513,028 S *	12/2005	Maruyama	D16/203
D527,405 S	8/2006	Kim et al.	

\* cited by examiner

*Primary Examiner*—Adir Aronovich  
(74) *Attorney, Agent, or Firm*—Banner & Witcoff, Ltd.

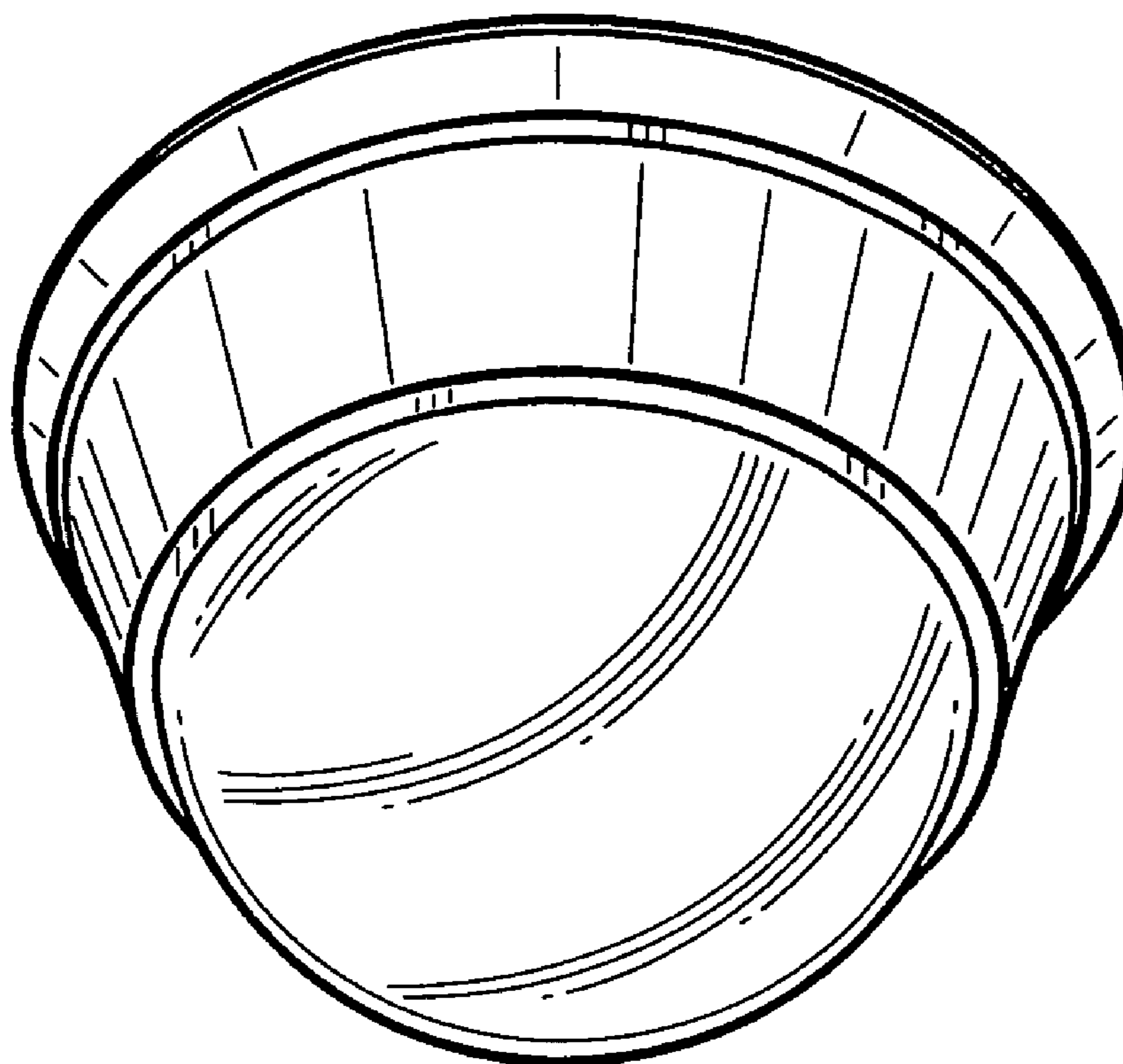
(57) **CLAIM**

The ornamental design for a camera for monitoring, as shown and described.

**DESCRIPTION**

FIG. 1 is a bottom perspective view of a camera for monitoring, showing my new design;  
FIG. 2 is a front elevational view thereof; the rear side elevational view being identical;  
FIG. 3 is a right side elevational view thereof; the left side elevational view being identical;  
FIG. 4 is a top plan view thereof; and,  
FIG. 5 is a bottom plan view thereof.

**1 Claim, 3 Drawing Sheets**



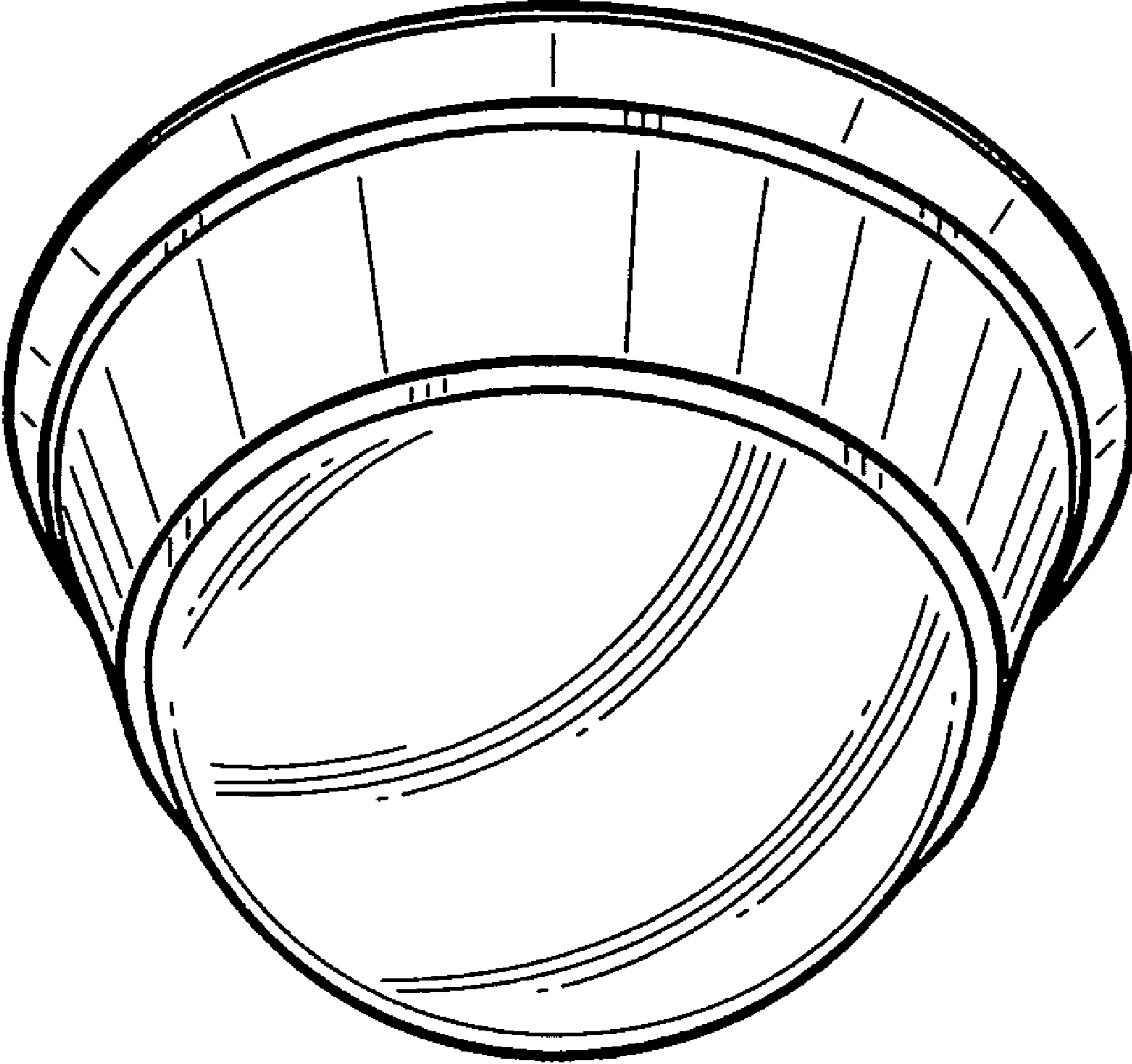


FIG. 1

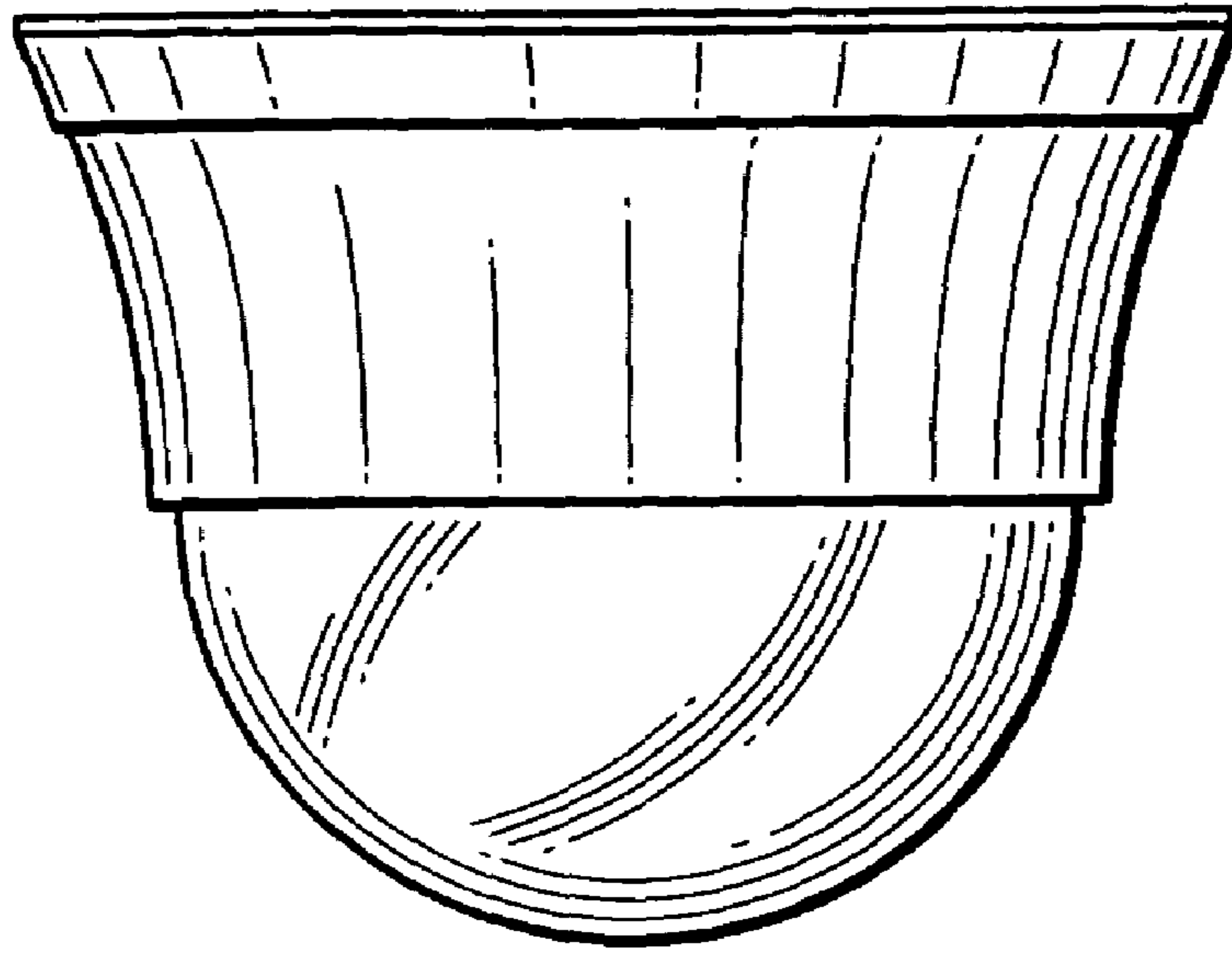


FIG. 2

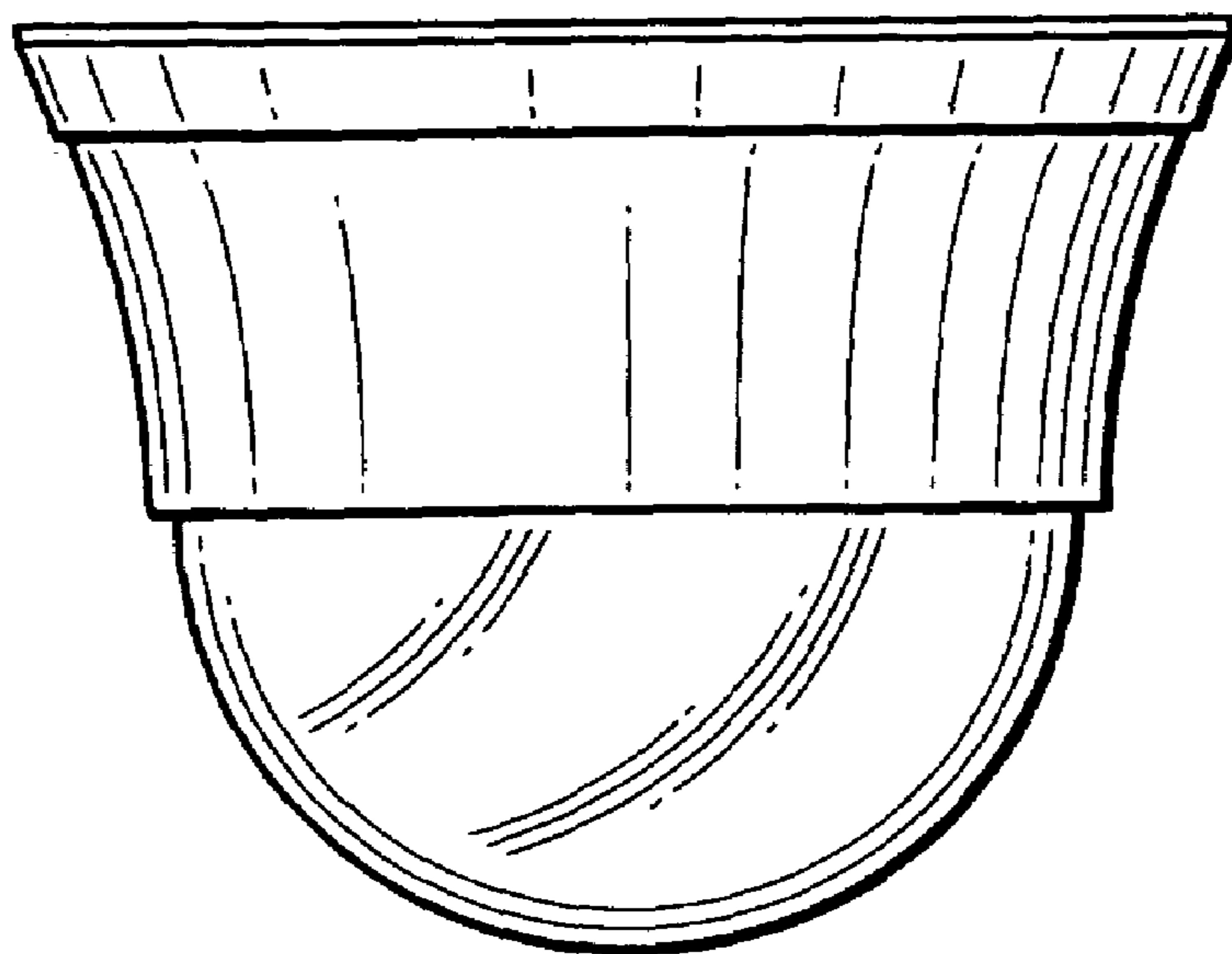


FIG. 3

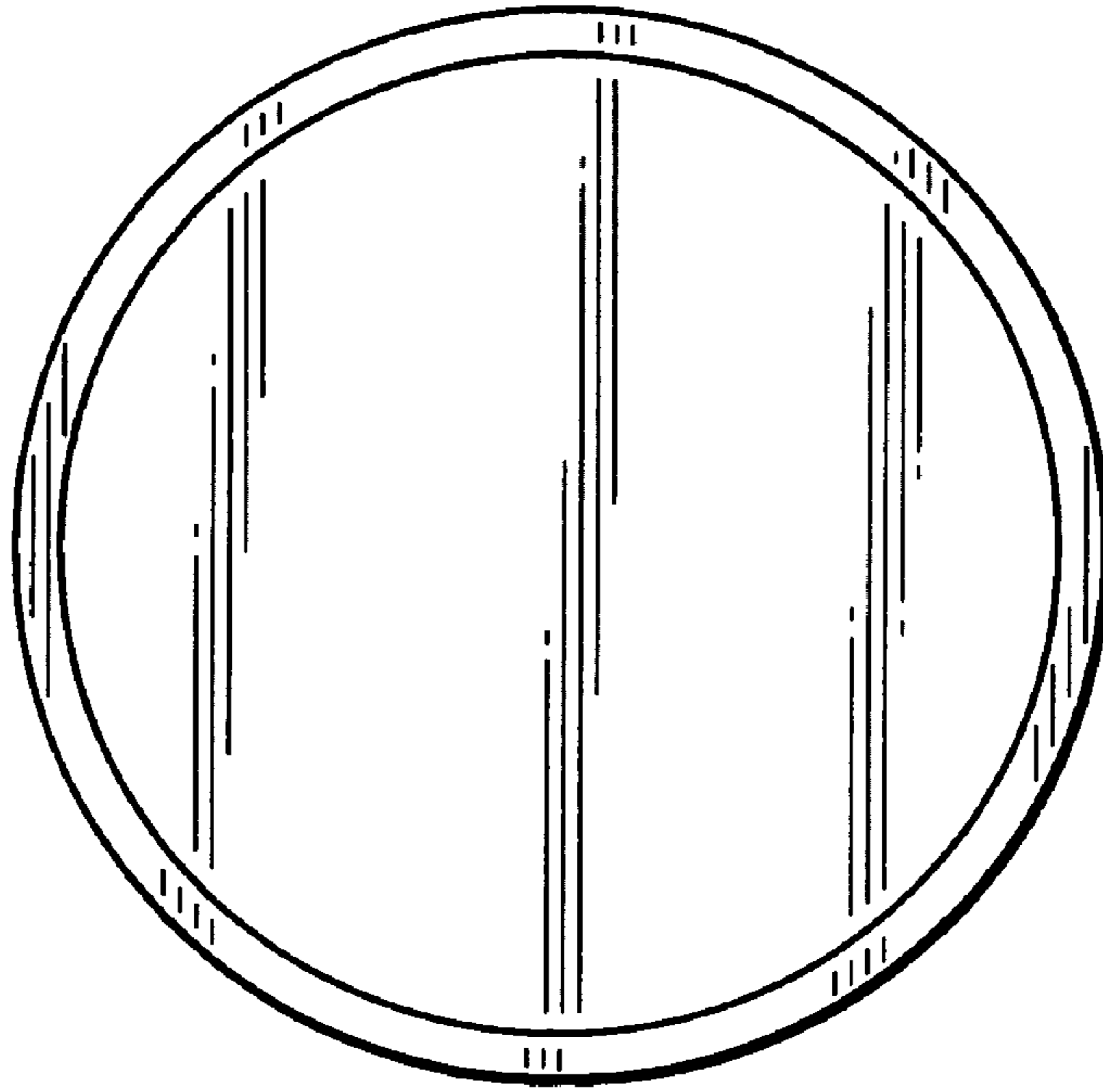


FIG.4

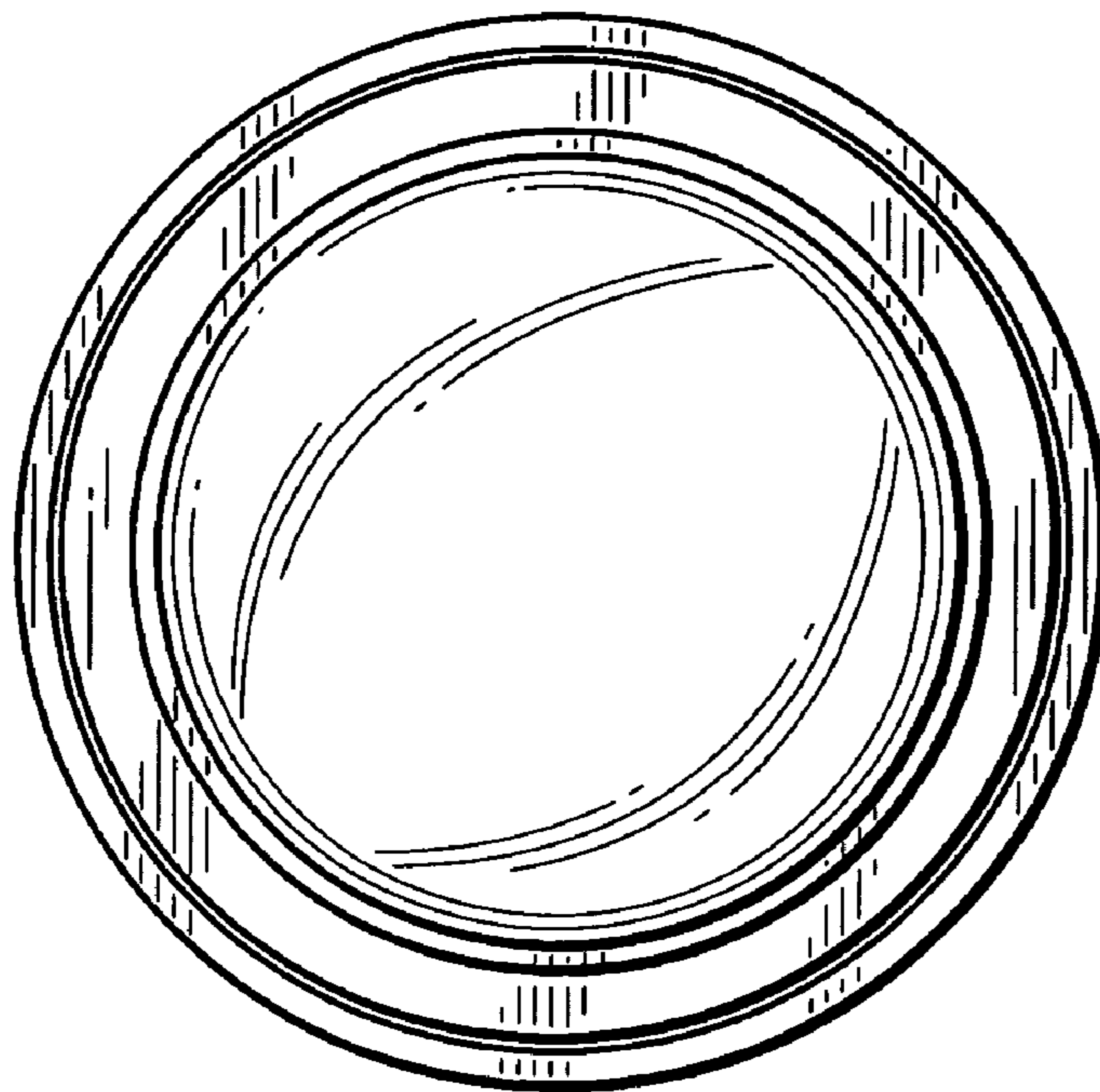


FIG.5