

US00D560241S

(12) **United States Design Patent**  
**Chung**

(10) **Patent No.:** **US D560,241 S**  
(45) **Date of Patent:** **\*\* Jan. 22, 2008**

(54) **CAMCORDER**

(75) Inventor: **Yeon-Moo Chung**, Seoul (KR)

(73) Assignee: **Samsung Electronics Co., Ltd.**,  
Kyunggi-do (KR)

(\*\*) Term: **14 Years**

(21) Appl. No.: **29/269,153**

(22) Filed: **Nov. 21, 2006**

(51) **LOC (8) Cl.** ..... **16-01**

(52) **U.S. Cl.** ..... **D16/202**

(58) **Field of Classification Search** ..... D16/200–205,  
D16/208, 218; 348/373–376; 358/906;  
396/535–541

See application file for complete search history.

(56) **References Cited**

**U.S. PATENT DOCUMENTS**

D335,500 S *	5/1993	Mori et al.	.....	D16/202
D356,806 S	3/1995	Kim		
D365,354 S	12/1995	Sung		
D366,886 S	2/1996	Choi		
D368,729 S	4/1996	Choi		
D372,925 S	8/1996	Choi		
D378,296 S	3/1997	Choi		
D383,767 S	9/1997	Sung et al.		
D386,506 S	11/1997	Choi		
D390,243 S	2/1998	Choi		
D429,742 S *	8/2000	Fukushima	.....	D16/202
D474,792 S	5/2003	Hyun		
D484,901 S	1/2004	Lim		
D491,967 S *	6/2004	Kojima et al.	.....	D16/202

D498,780 S *	11/2004	Su et al.	.....	D16/202
6,937,280 B2 *	8/2005	Kawai et al.	.....	348/375
D520,044 S	5/2006	Chung et al.		
D520,545 S	5/2006	Chung et al.		
D520,546 S	5/2006	Kim		
D521,041 S	5/2006	Chung et al.		
D526,674 S	8/2006	Byun et al.		
D528,142 S	9/2006	Byun et al.		
D528,576 S	9/2006	Chung et al.		
D528,577 S	9/2006	Byun et al.		
D532,805 S *	11/2006	Masano et al.	.....	D16/202
D533,206 S	12/2006	Kim		

\* cited by examiner

*Primary Examiner*—Adir Aronovich

(74) *Attorney, Agent, or Firm*—Flynn, Thiel, Boutell & Tanis, P.C.

(57) **CLAIM**

The ornamental design for a camcorder, as shown and described.

**DESCRIPTION**

FIG. 1 is a top front perspective view of a camcorder showing my new design;

FIG. 2 is a front elevational view thereof;

FIG. 3 is a rear elevational view thereof;

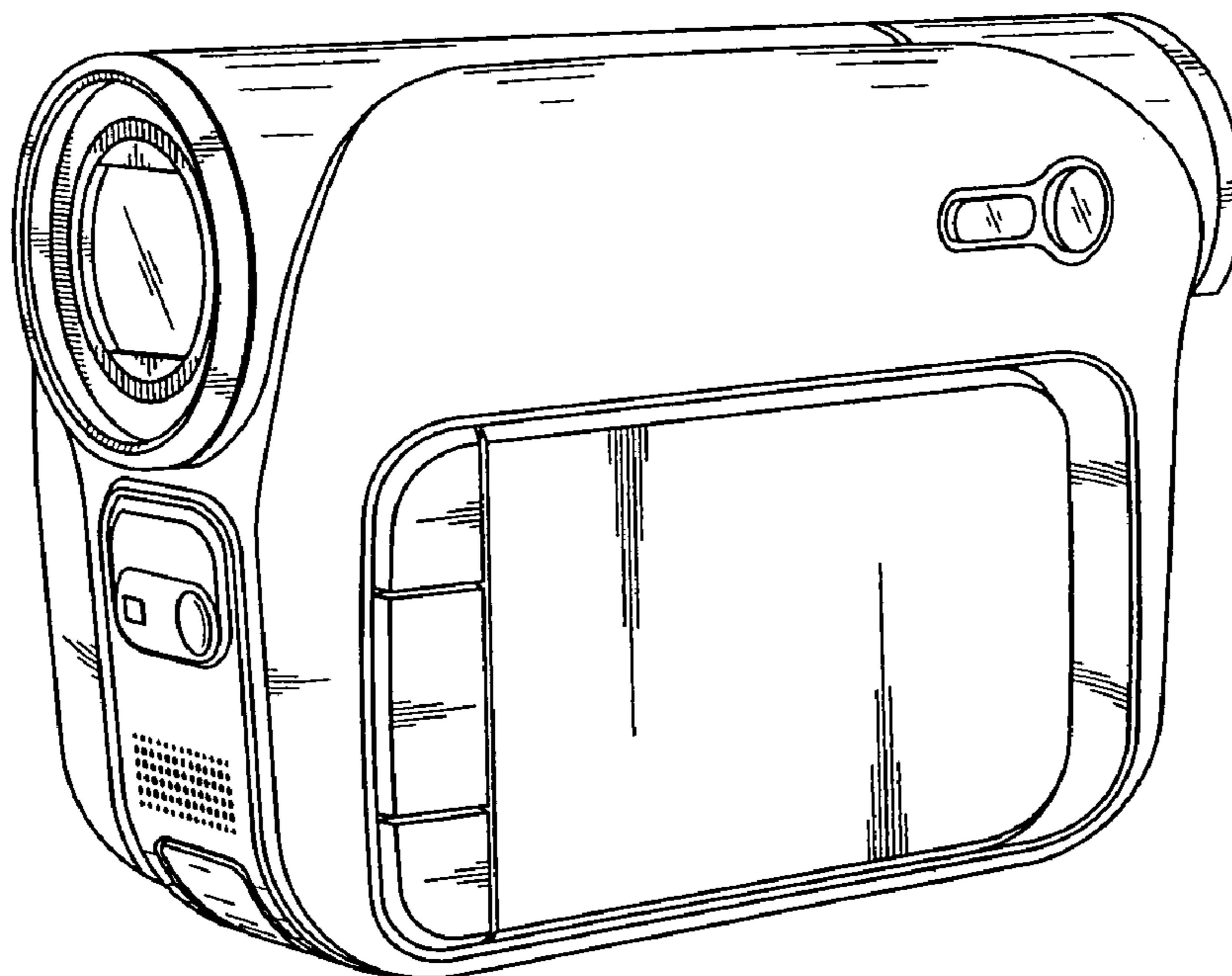
FIG. 4 is a left side elevational view thereof;

FIG. 5 is a right side elevational view thereof;

FIG. 6 is a top plan view thereof; and,

FIG. 7 is a bottom plan view thereof.

**1 Claim, 4 Drawing Sheets**



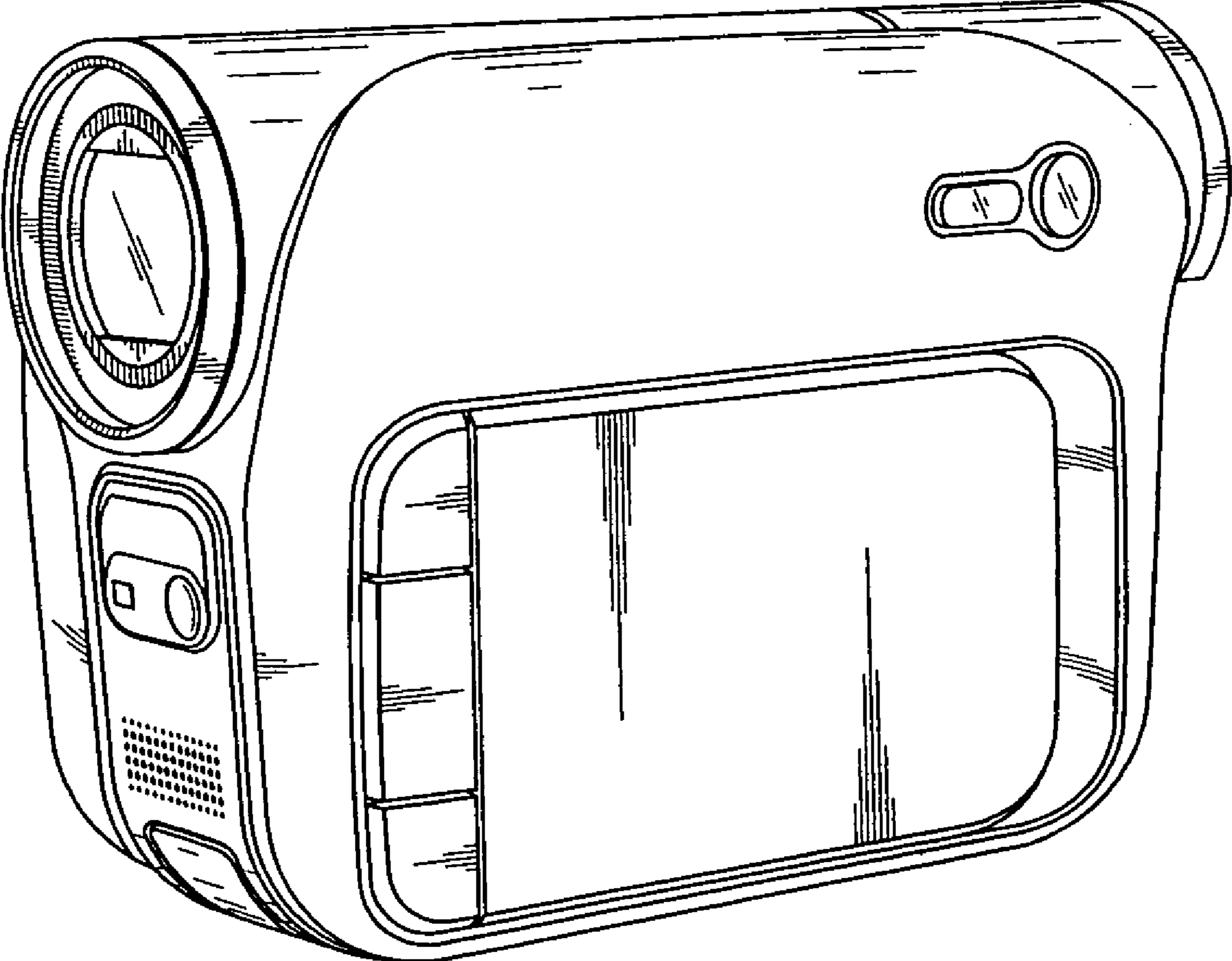


FIG. 1

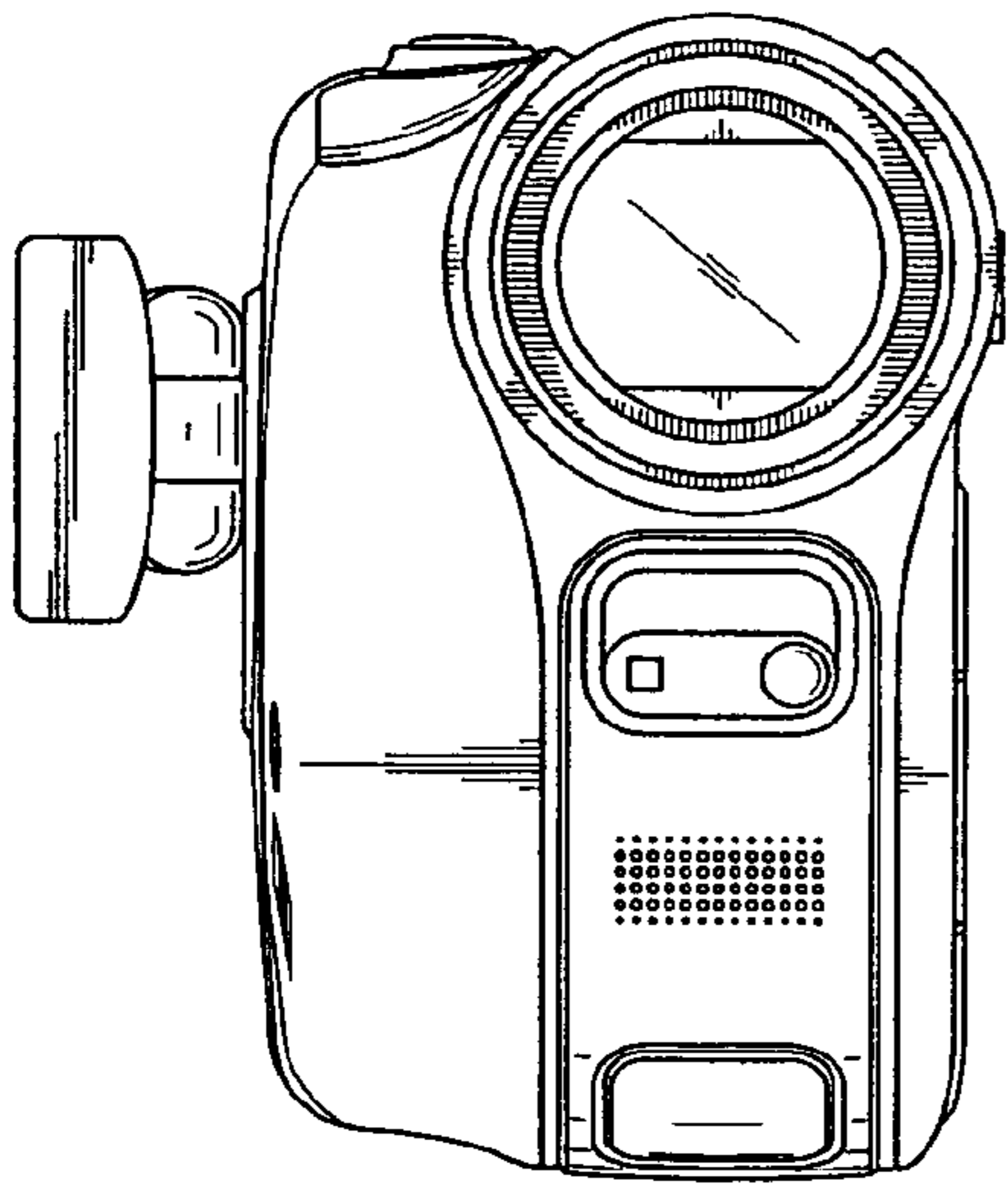


FIG. 2

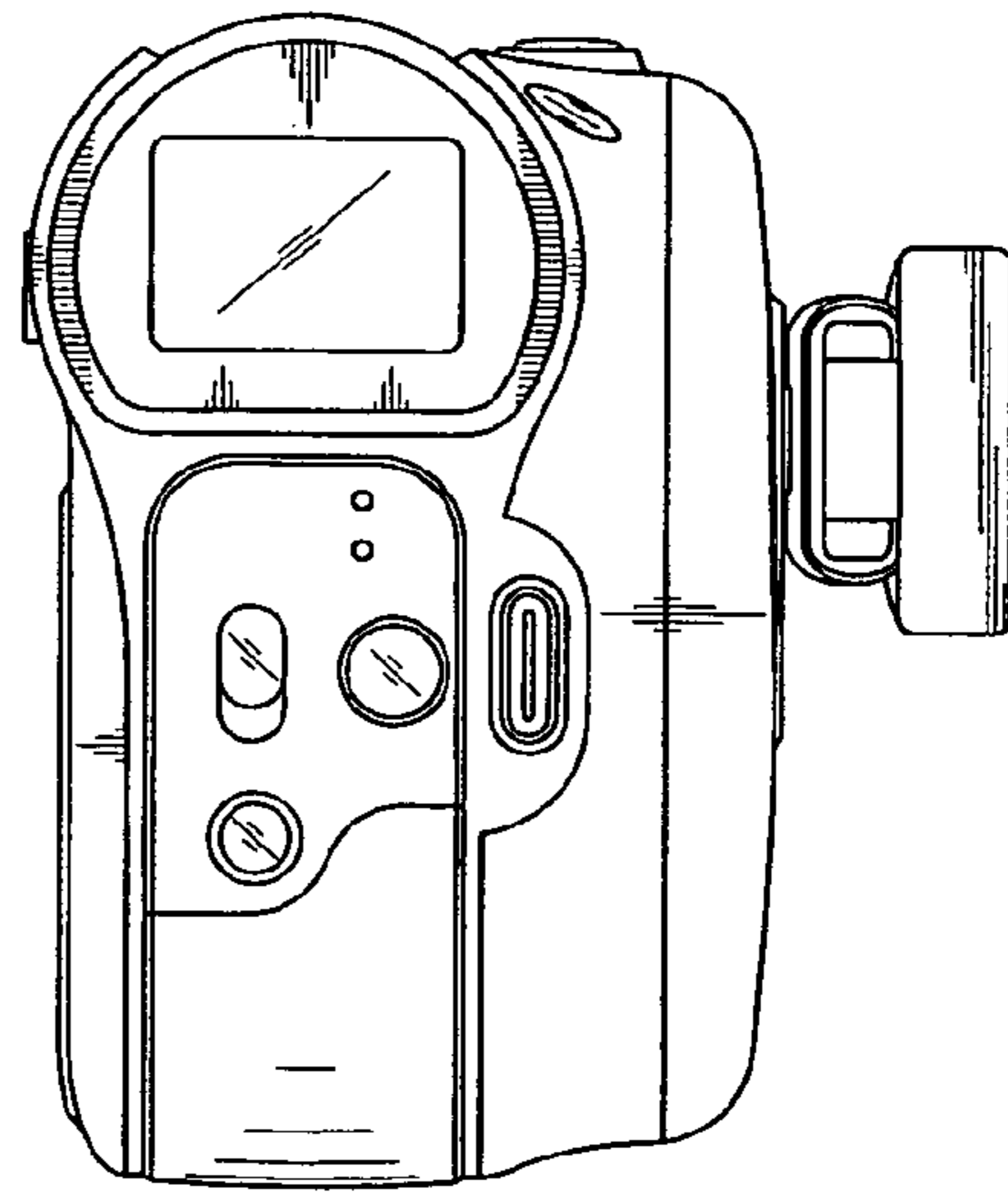


FIG. 3

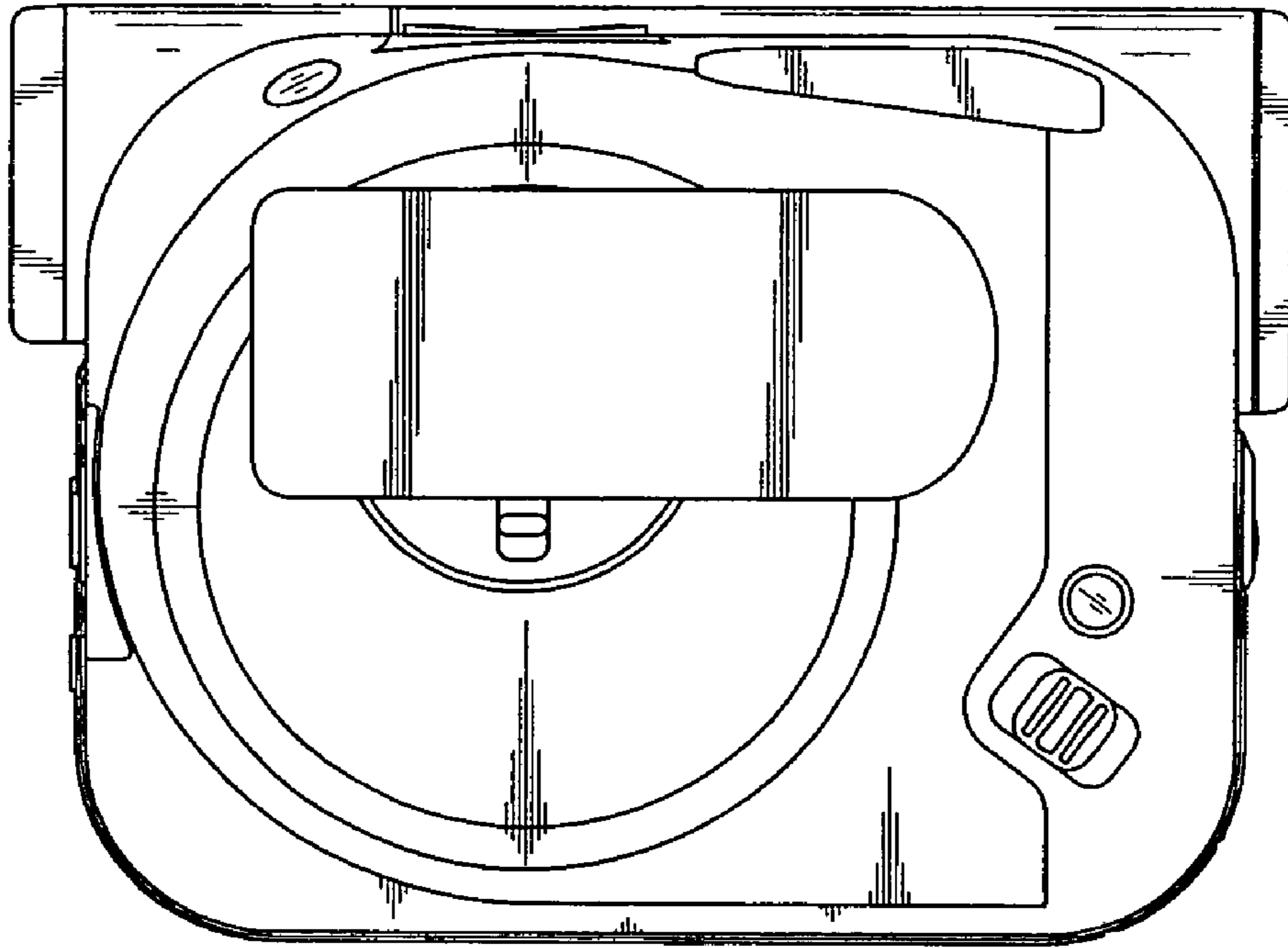


FIG. 4

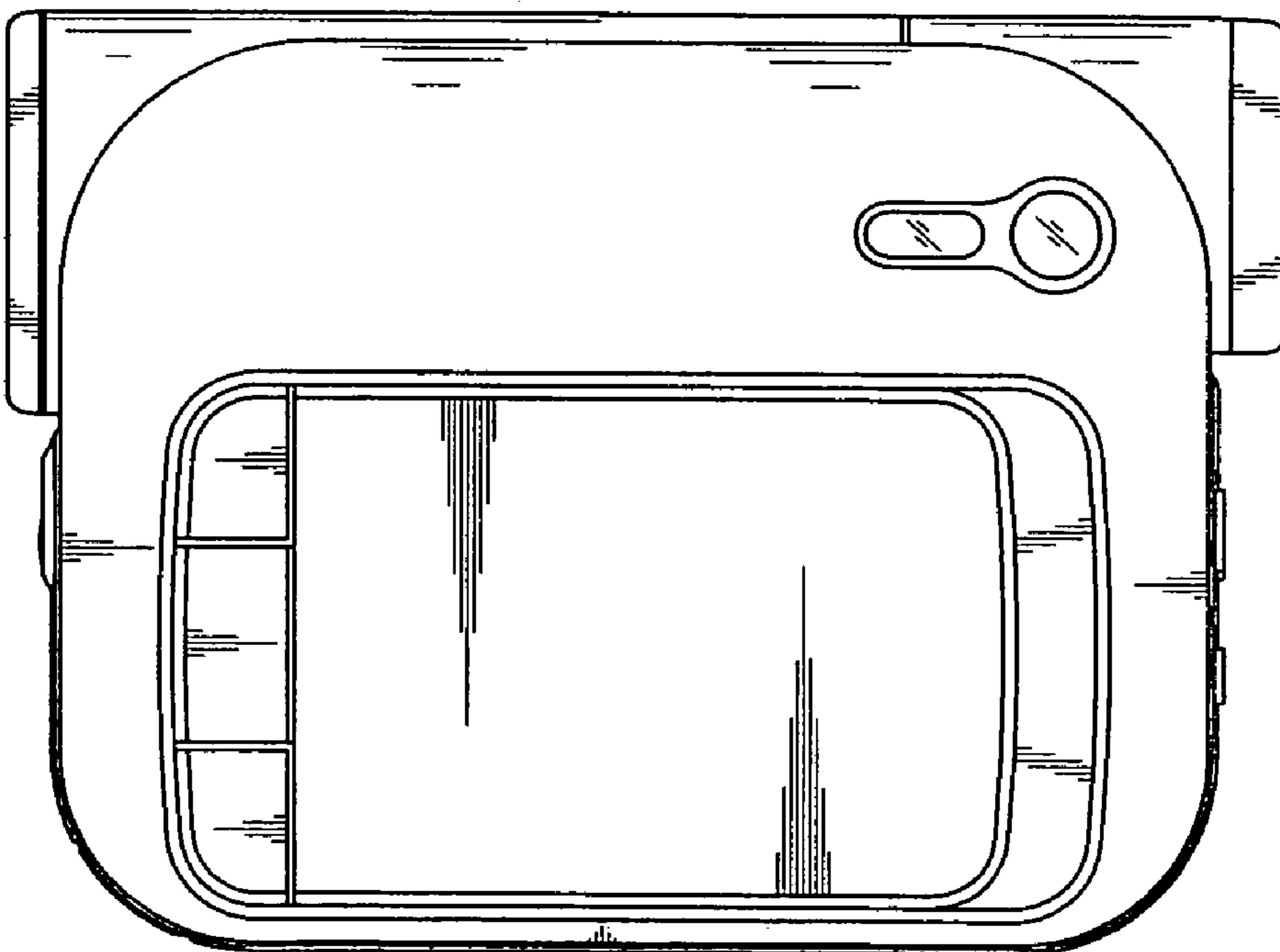


FIG. 5

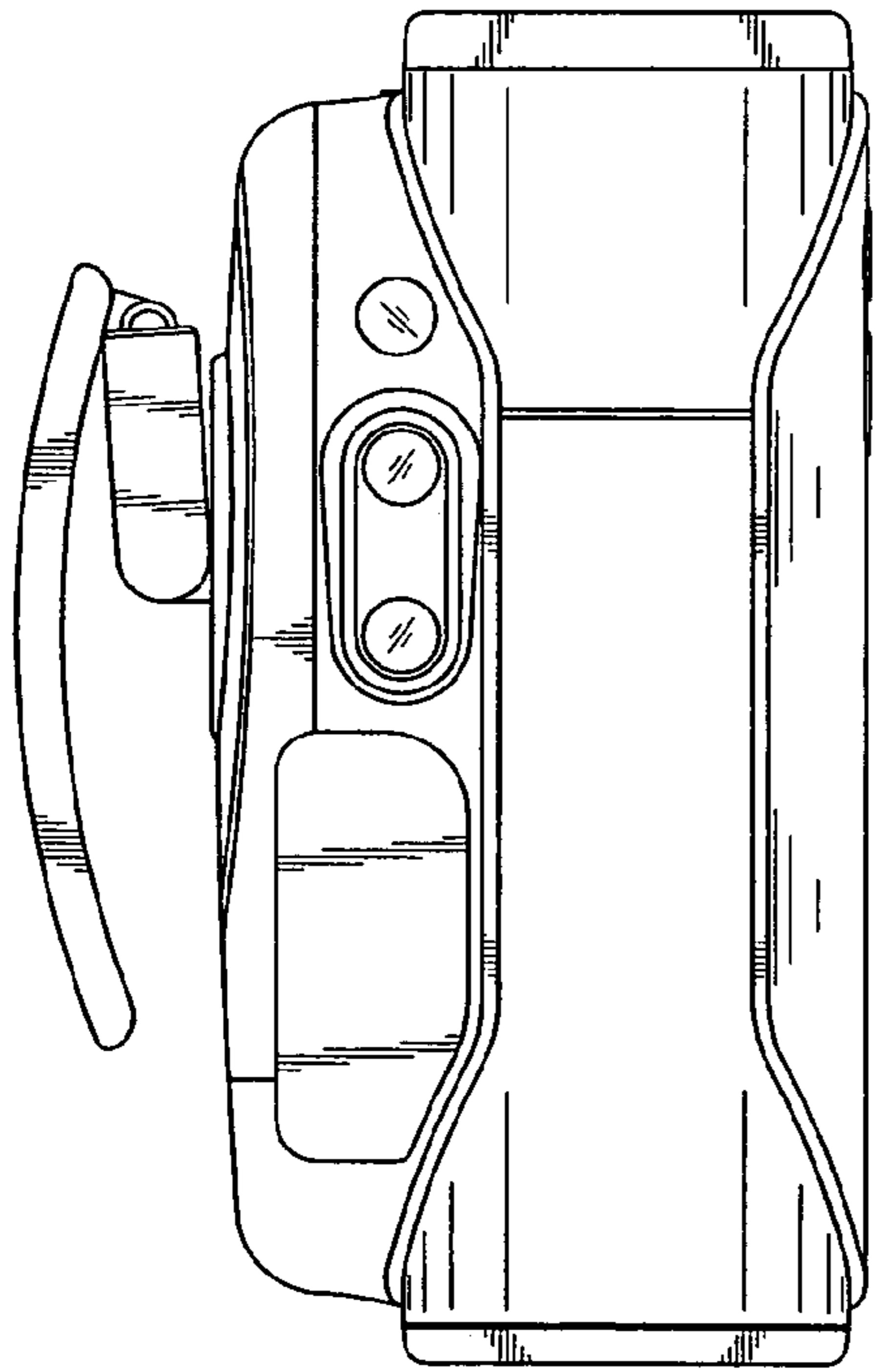


FIG. 6

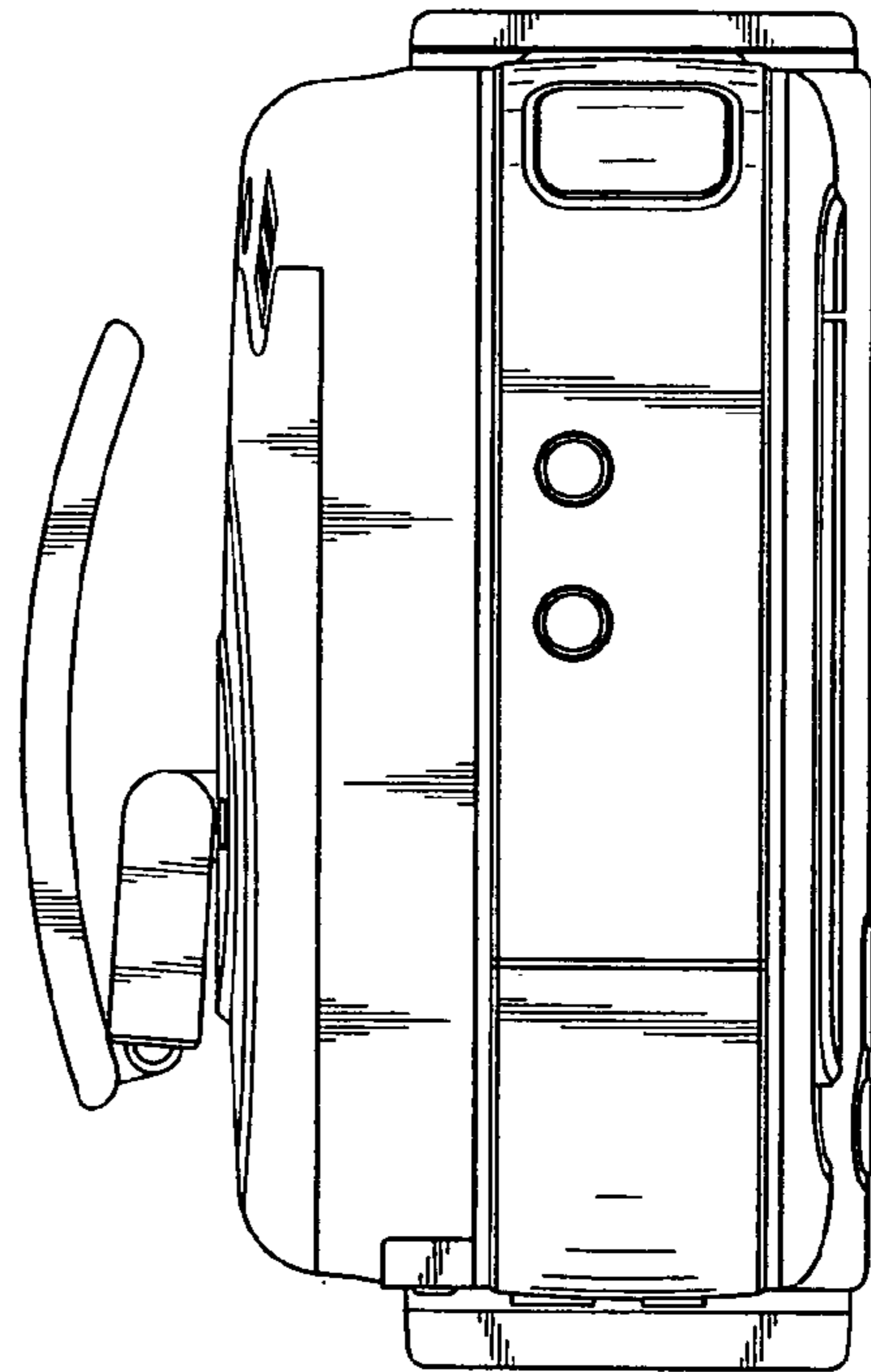


FIG. 7