

US00D560240S

(12) **United States Design Patent**
Hamamura

(10) **Patent No.:** **US D560,240 S**

(45) **Date of Patent:** **** Jan. 22, 2008**

(54) **DIGITAL CAMERA**

(75) Inventor: **Toshihiro Hamamura**, Tokyo (JP)

(73) Assignee: **PENTAX Corporation**, Tokyo (JP)

(**) Term: **14 Years**

(21) Appl. No.: **29/268,878**

(22) Filed: **Nov. 15, 2006**

(30) **Foreign Application Priority Data**

Jun. 12, 2006 (JP) 2006-015093

(51) **LOC (8) Cl.** **16-01**

(52) **U.S. Cl.** **D16/202**

(58) **Field of Classification Search** D16/200-204,
D16/208, 218, 219; 348/373-376; 358/909.1;
396/535-541

See application file for complete search history.

(56) **References Cited**

U.S. PATENT DOCUMENTS

D516,599 S * 3/2006 Nakamura D16/202
D521,043 S * 5/2006 Takagi D16/218
D524,344 S * 7/2006 Imai D16/202
D529,258 S * 10/2006 Naito D16/219

D535,314 S * 1/2007 Chang D16/202
D548,256 S * 8/2007 Hase et al. D16/202
2006/0088315 A1 * 4/2006 Kappali et al. 396/535

* cited by examiner

Primary Examiner—Adir Aronovich

(57) **CLAIM**

The ornamental design for a digital camera, as shown and described.

DESCRIPTION

FIG. 1 is a perspective view of the top, front and left side of a digital camera showing my new design;

FIG. 2 is a top plan view thereof;

FIG. 3 is a front elevational view thereof;

FIG. 4 is a rear elevational view thereof;

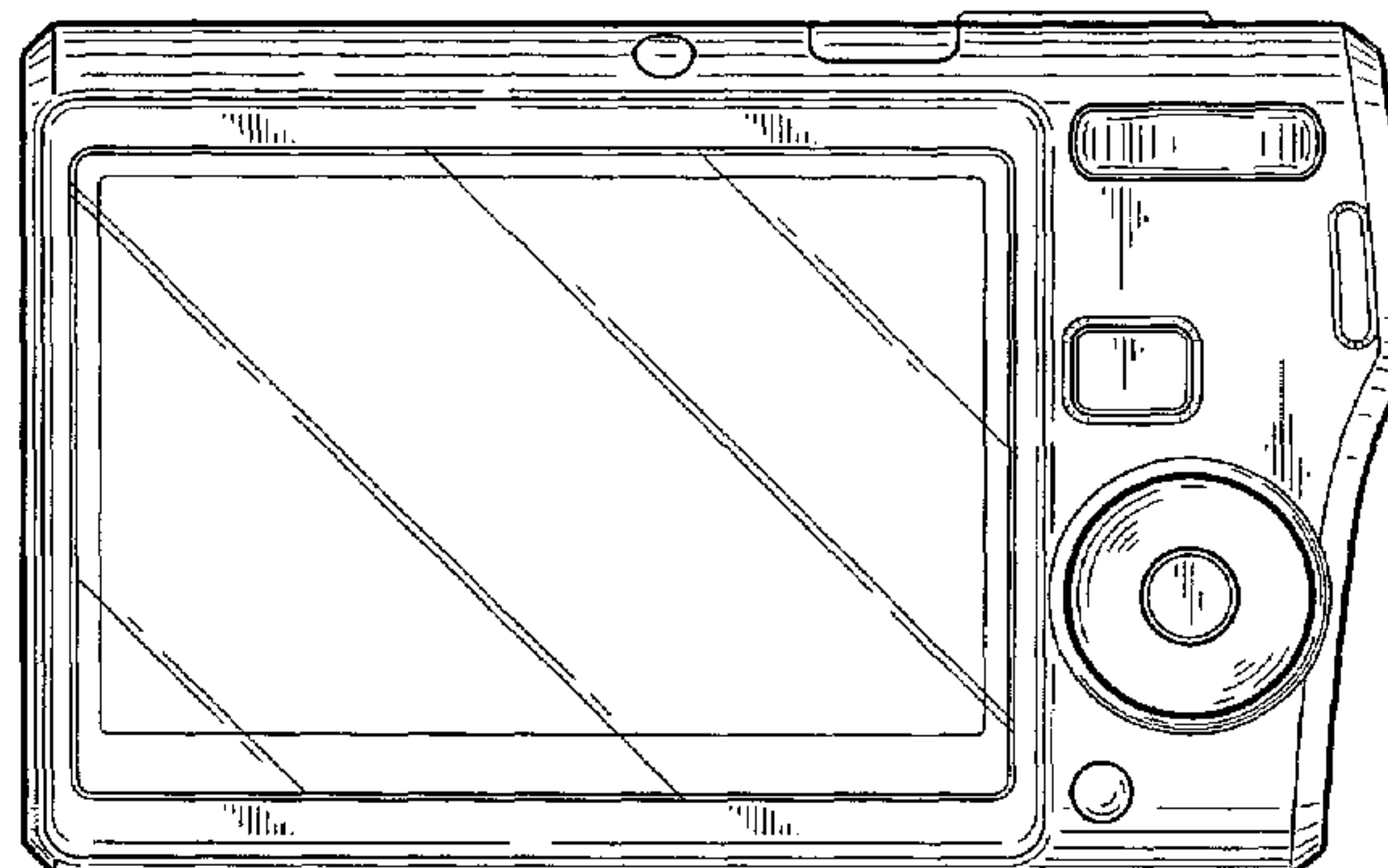
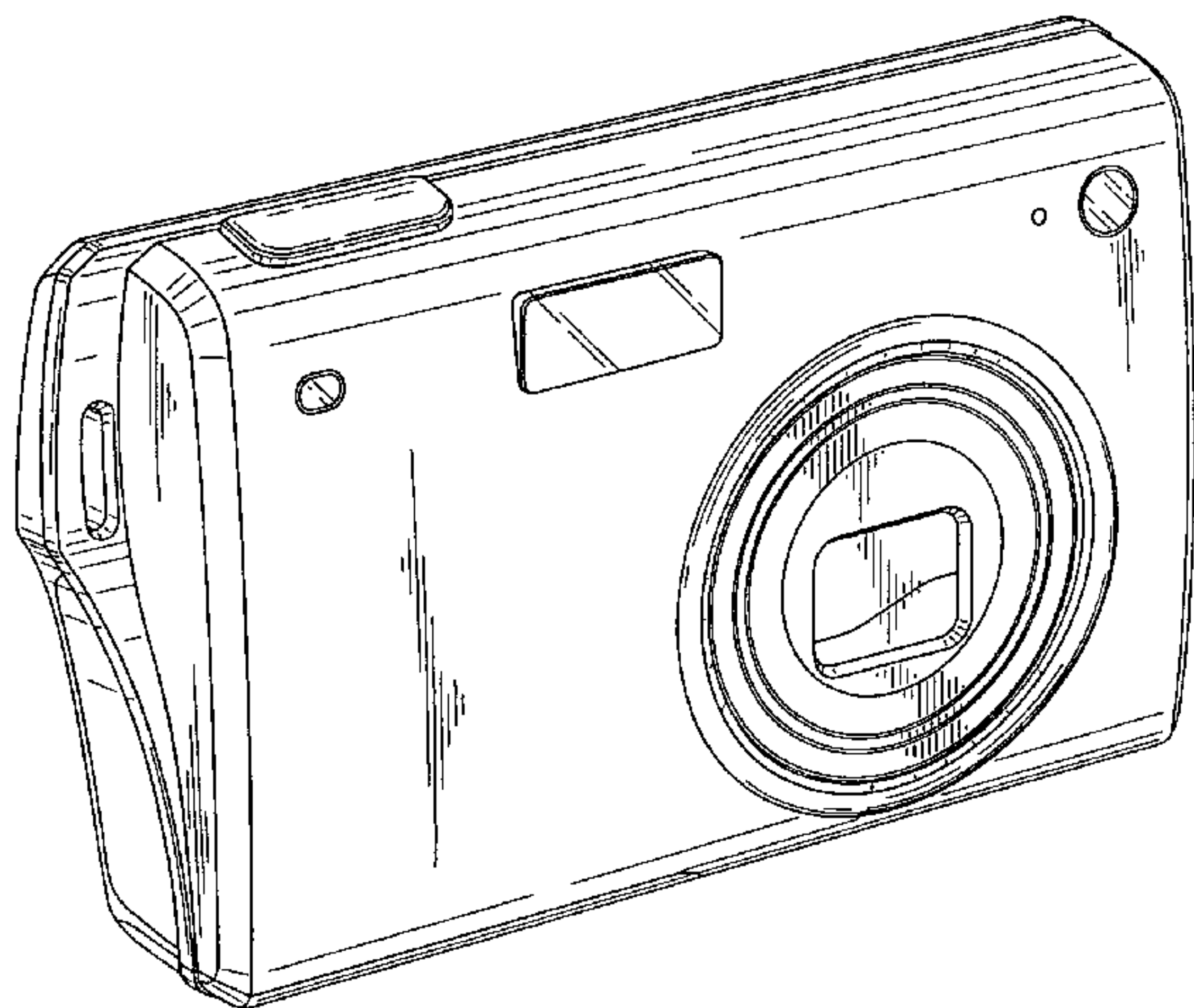
FIG. 5 is a bottom plan view thereof;

FIG. 6 is a left side elevational view thereof;

FIG. 7 is a right side elevational view thereof; and,

FIG. 8 is a top plan view thereof showing the lens in an extended position.

1 Claim, 5 Drawing Sheets



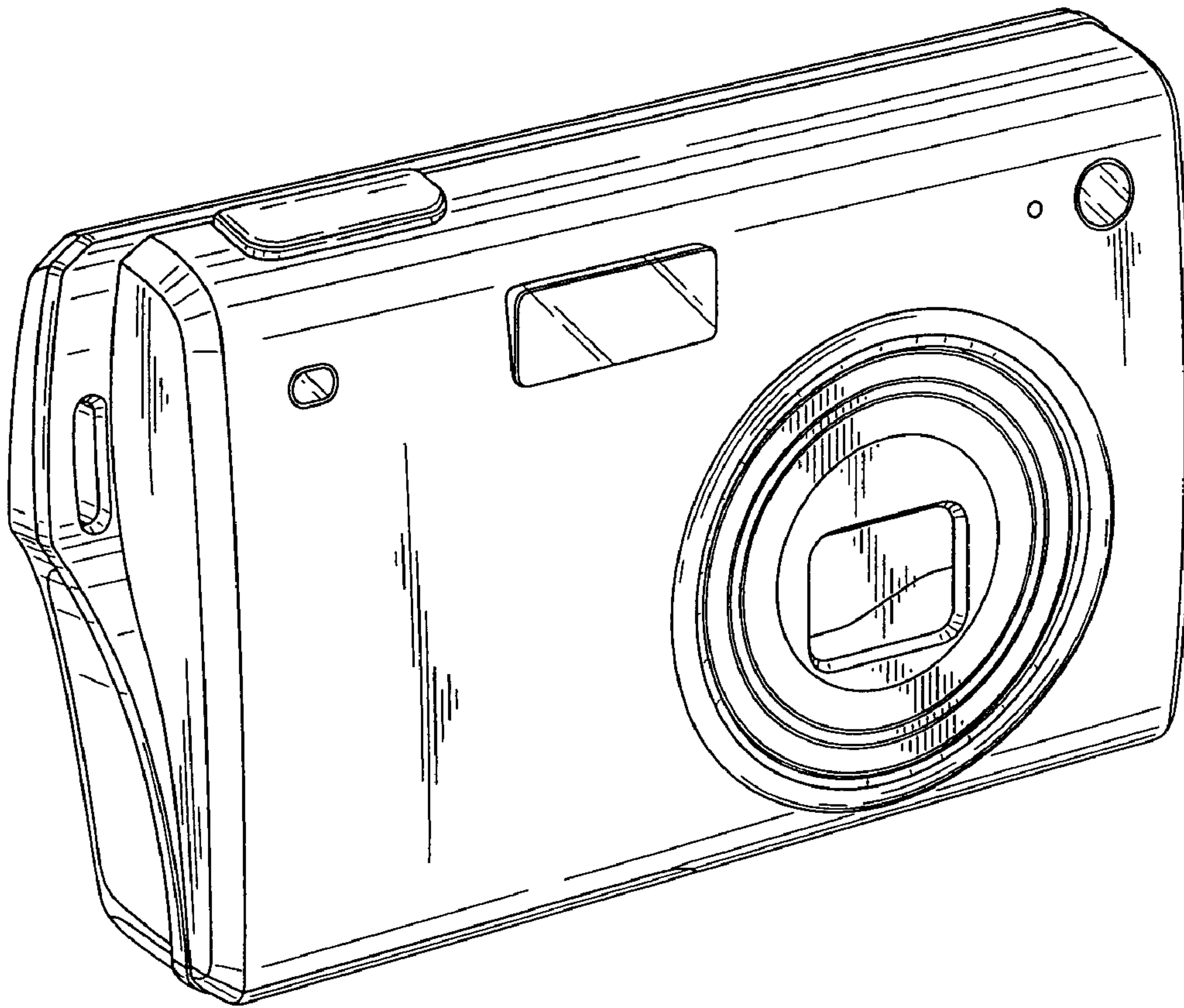


FIG. 1

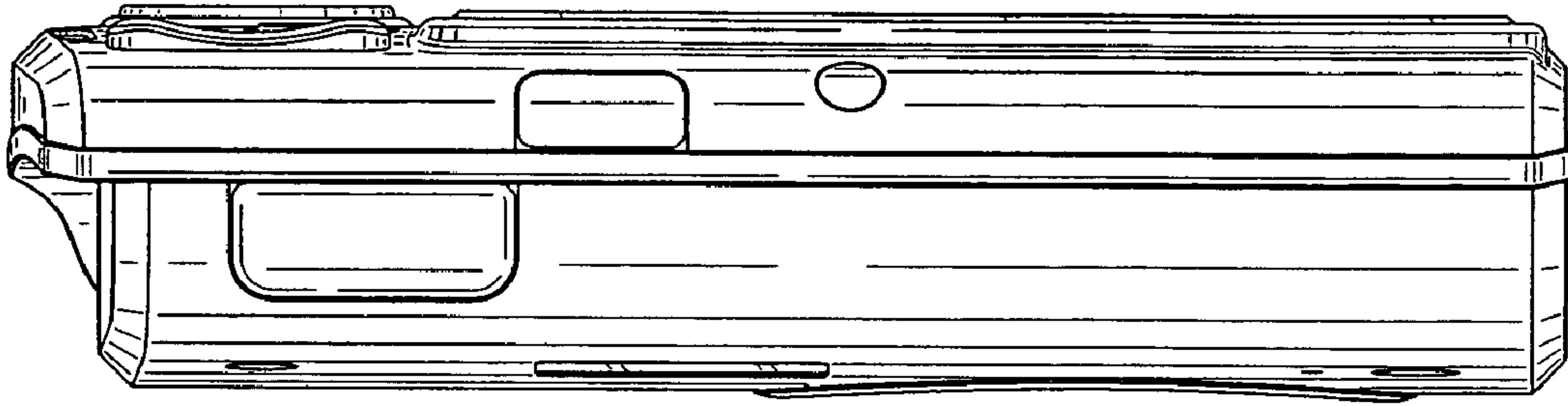


FIG. 2

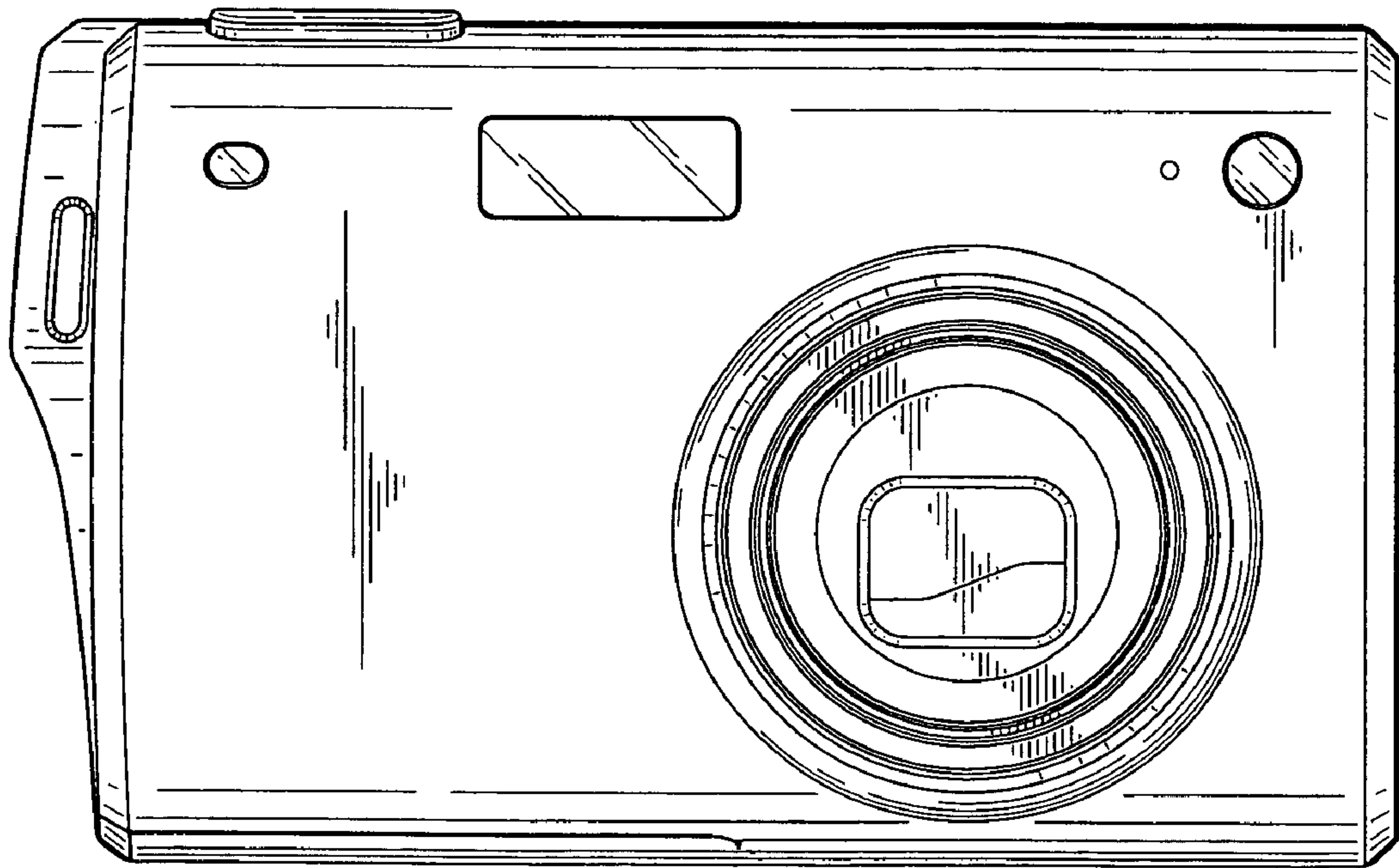


FIG. 3

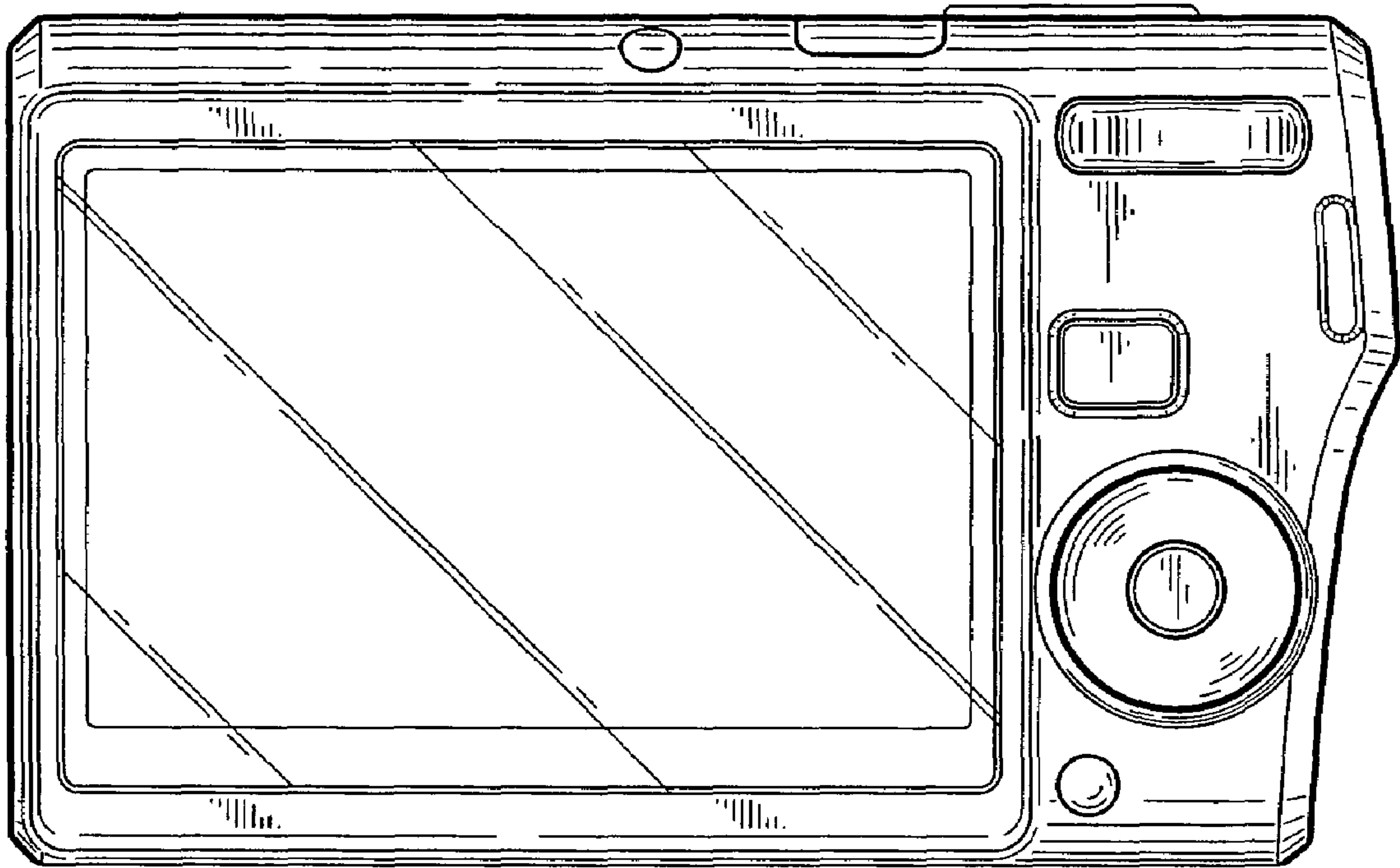


FIG. 4

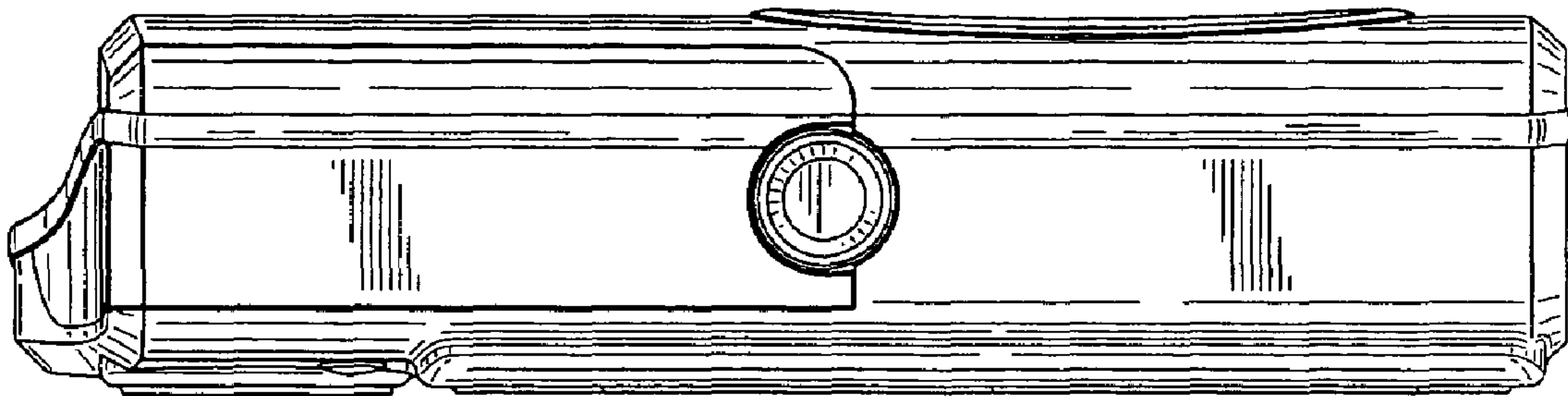


FIG. 5

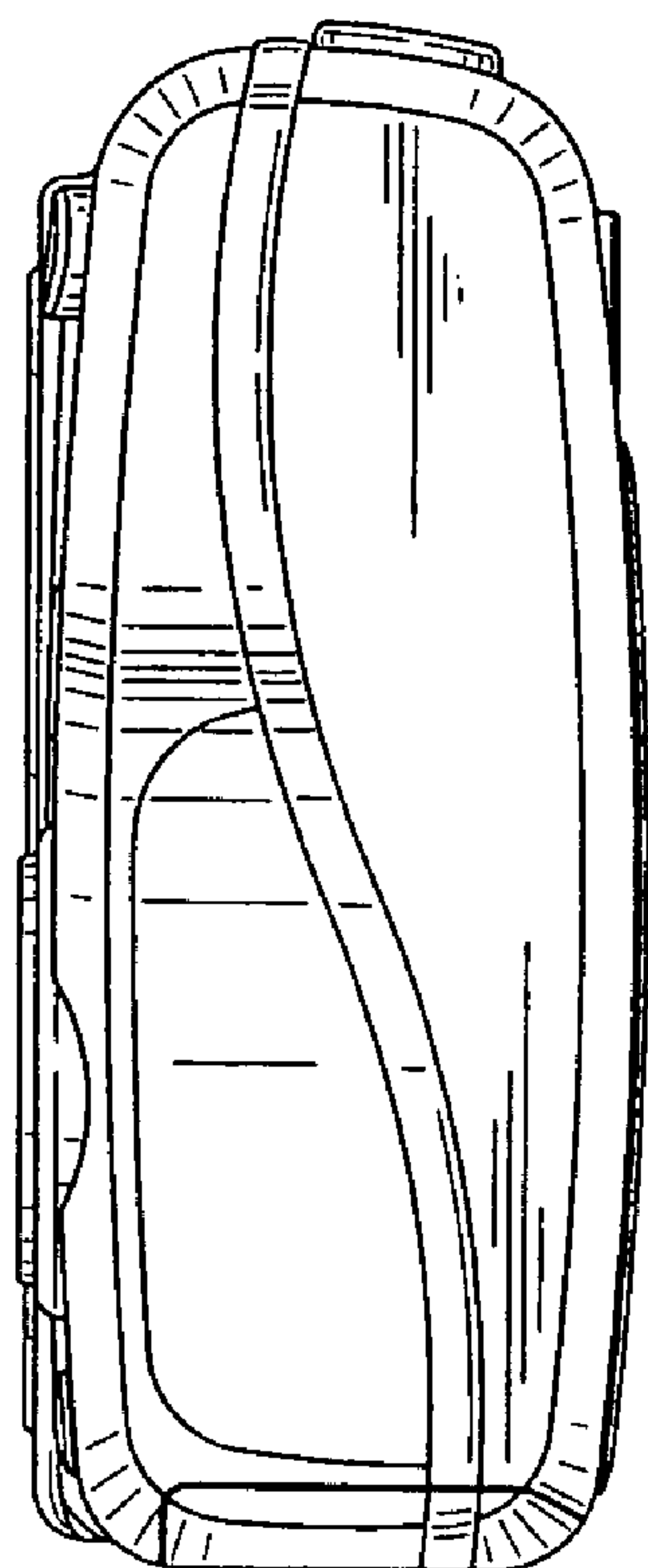


FIG. 6

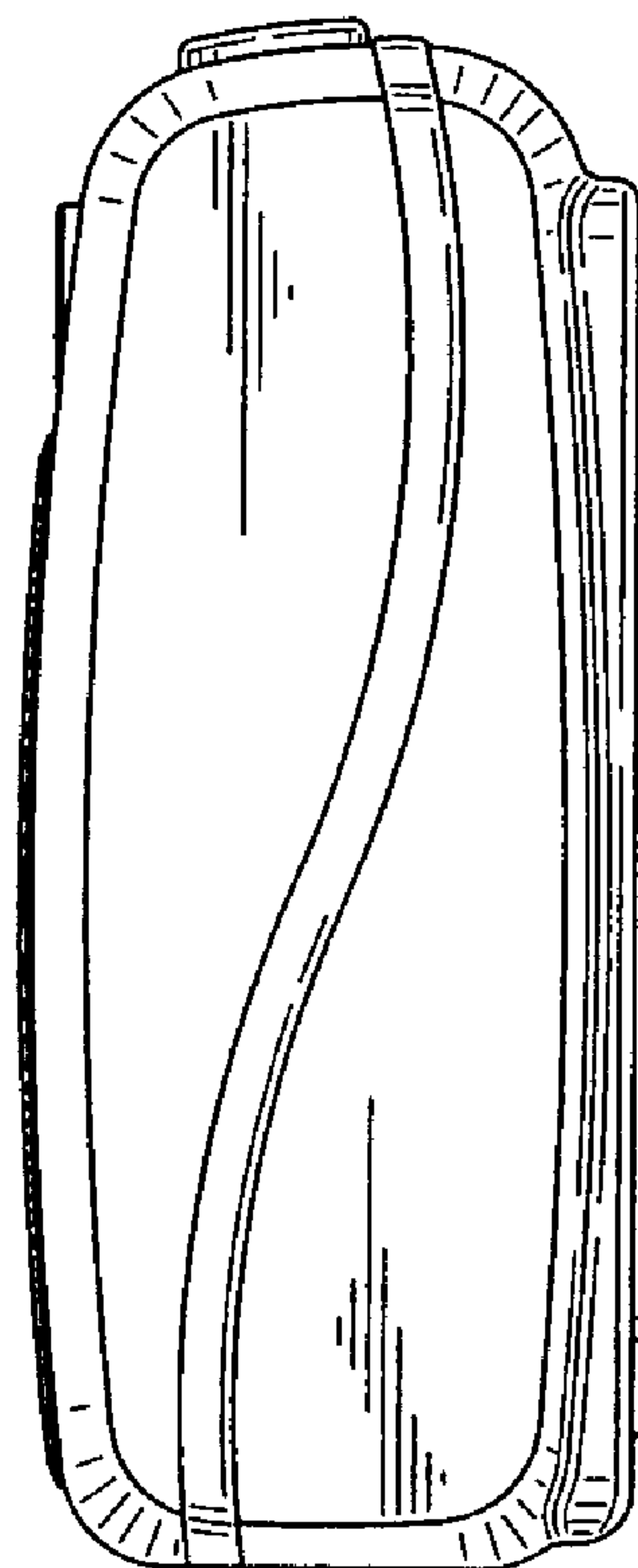


FIG. 7

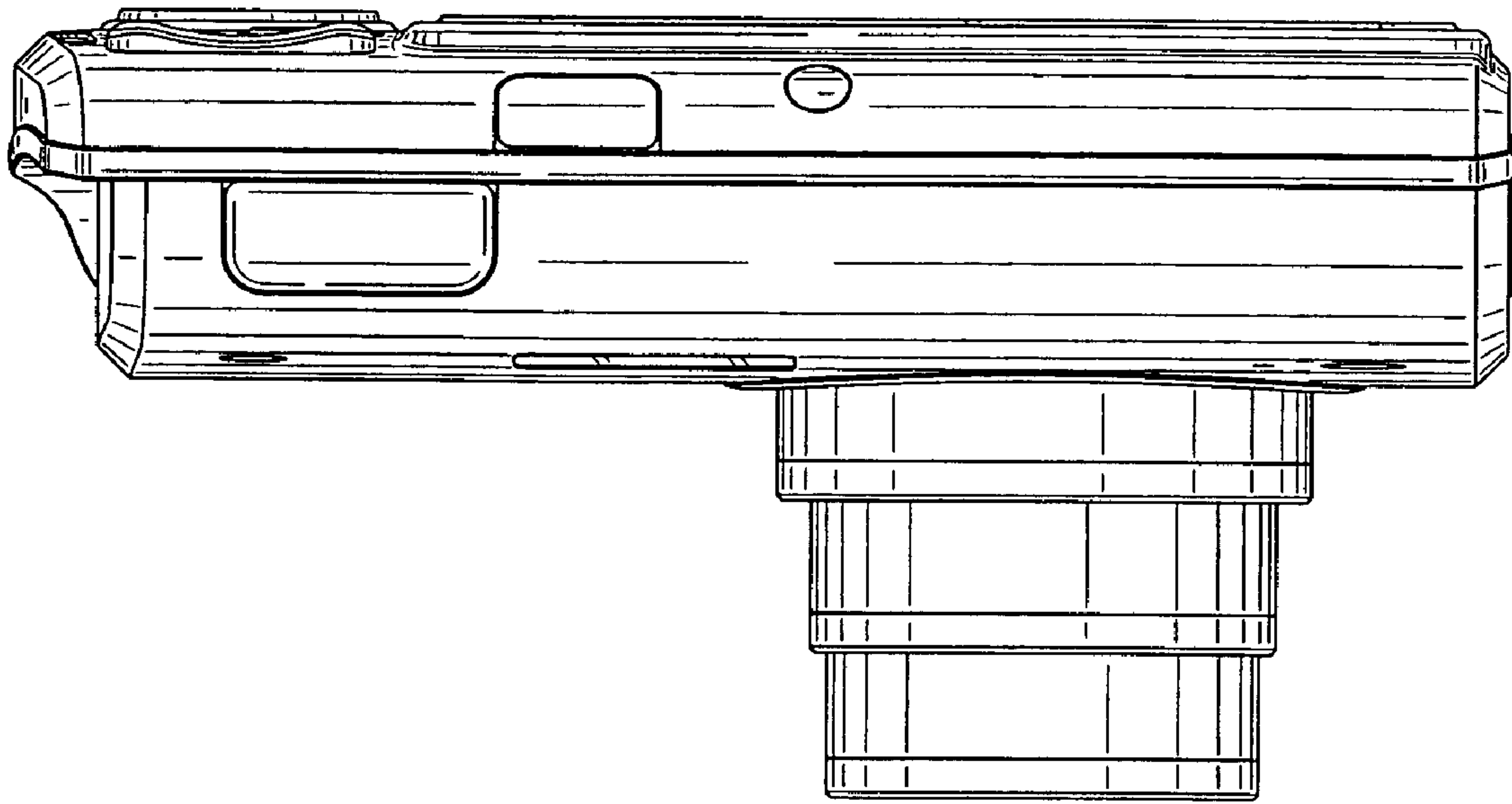


FIG. 8