



US00D560239S

(12) **United States Design Patent**
Kim et al.

(10) **Patent No.:** **US D560,239 S**
(45) **Date of Patent:** **** Jan. 22, 2008**

(54) **DIGITAL CAMERA**

(75) Inventors: **Joo Bok Kim**, Seoul (KR); **Kenji Yamauchi**, Seoul (KR)

(73) Assignee: **Samsung Techwin Co., Ltd.**, Changwon (KR)

(**) Term: **14 Years**

(21) Appl. No.: **29/268,641**

(22) Filed: **Nov. 9, 2006**

(30) **Foreign Application Priority Data**

May 10, 2006 (KR) 30-2006-0017368

(51) **LOC (8) Cl.** **16-01**

(52) **U.S. Cl.** **D16/202; D16/217**

(58) **Field of Classification Search** D16/200–206,
D16/208, 216, 217, 218; 348/373–376; 358/909.1;
396/176, 177, 354–359, 535–541
See application file for complete search history.

(56) **References Cited**

U.S. PATENT DOCUMENTS

D328,755 S * 8/1992 Kumakura et al. D16/217
D425,094 S * 5/2000 Morishita et al. D16/217
D433,434 S * 11/2000 Hamamura D16/217

D439,922 S * 4/2001 Kumakura D16/217
D446,235 S * 8/2001 Morishita et al. D16/217
6,351,609 B1 * 2/2002 Hosokawa et al. 396/177
6,427,051 B1 * 7/2002 Hosokawa et al. 396/177
D471,222 S * 3/2003 Matsumura D16/217
D482,713 S * 11/2003 Hayashi D16/217
D542,321 S * 5/2007 Takahashi D16/202

* cited by examiner

Primary Examiner—Adir Aronovich

(74) *Attorney, Agent, or Firm*—Drinker Biddle & Reath LLP

(57) **CLAIM**

We claim the ornamental design for a digital camera, as shown and described.

DESCRIPTION

FIG. 1 is a perspective view of a digital camera;
FIG. 2 is a front view of the design of FIG. 1;
FIG. 3 is a rear elevation view of the design of FIG. 1;
FIG. 4 is a left side view of the design of FIG. 1;
FIG. 5 is a right side view of the design of FIG. 1;
FIG. 6 is a top view of the design of FIG. 1; and,
FIG. 7 is a bottom view of the design of FIG. 1.

1 Claim, 7 Drawing Sheets

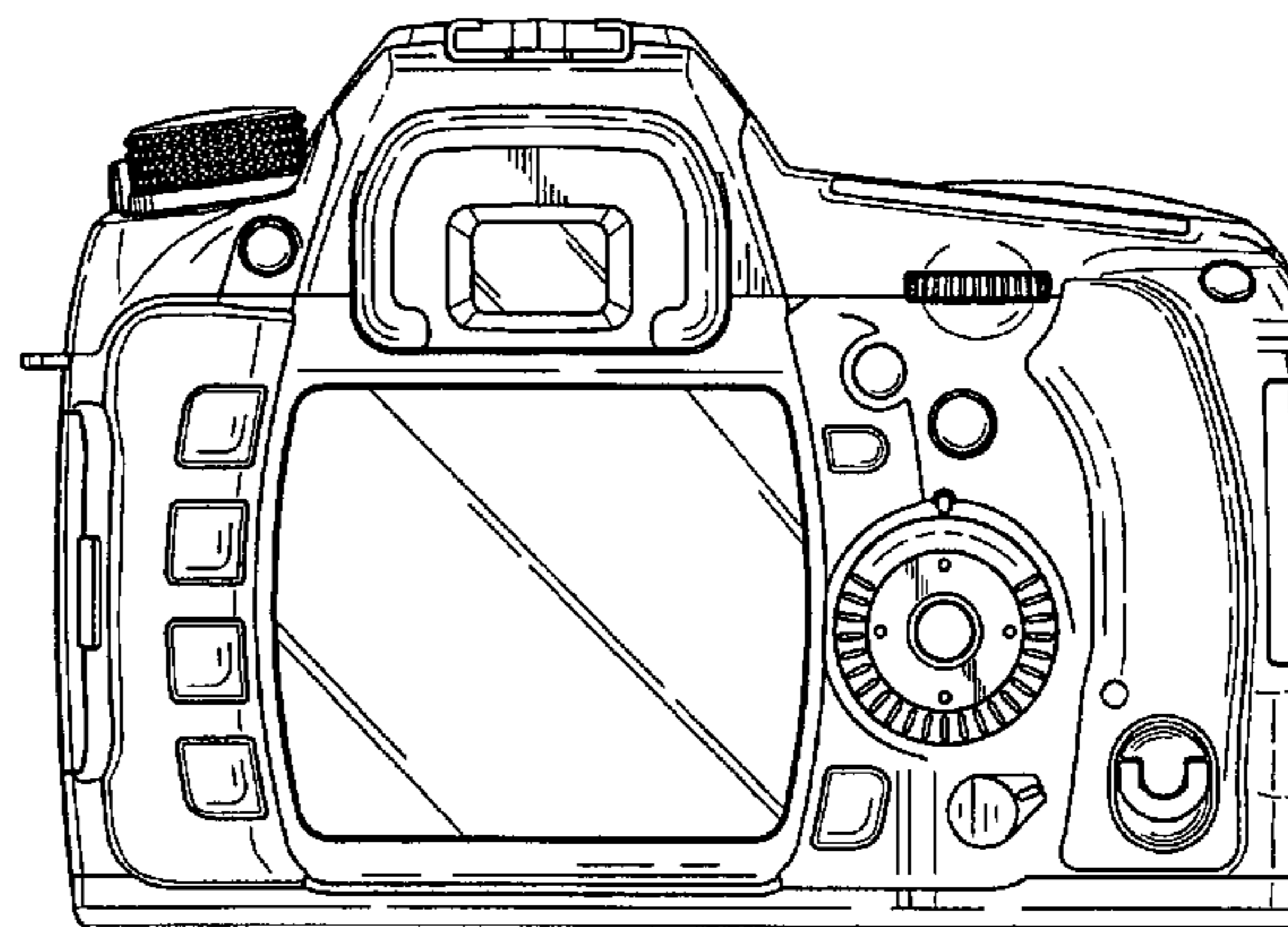
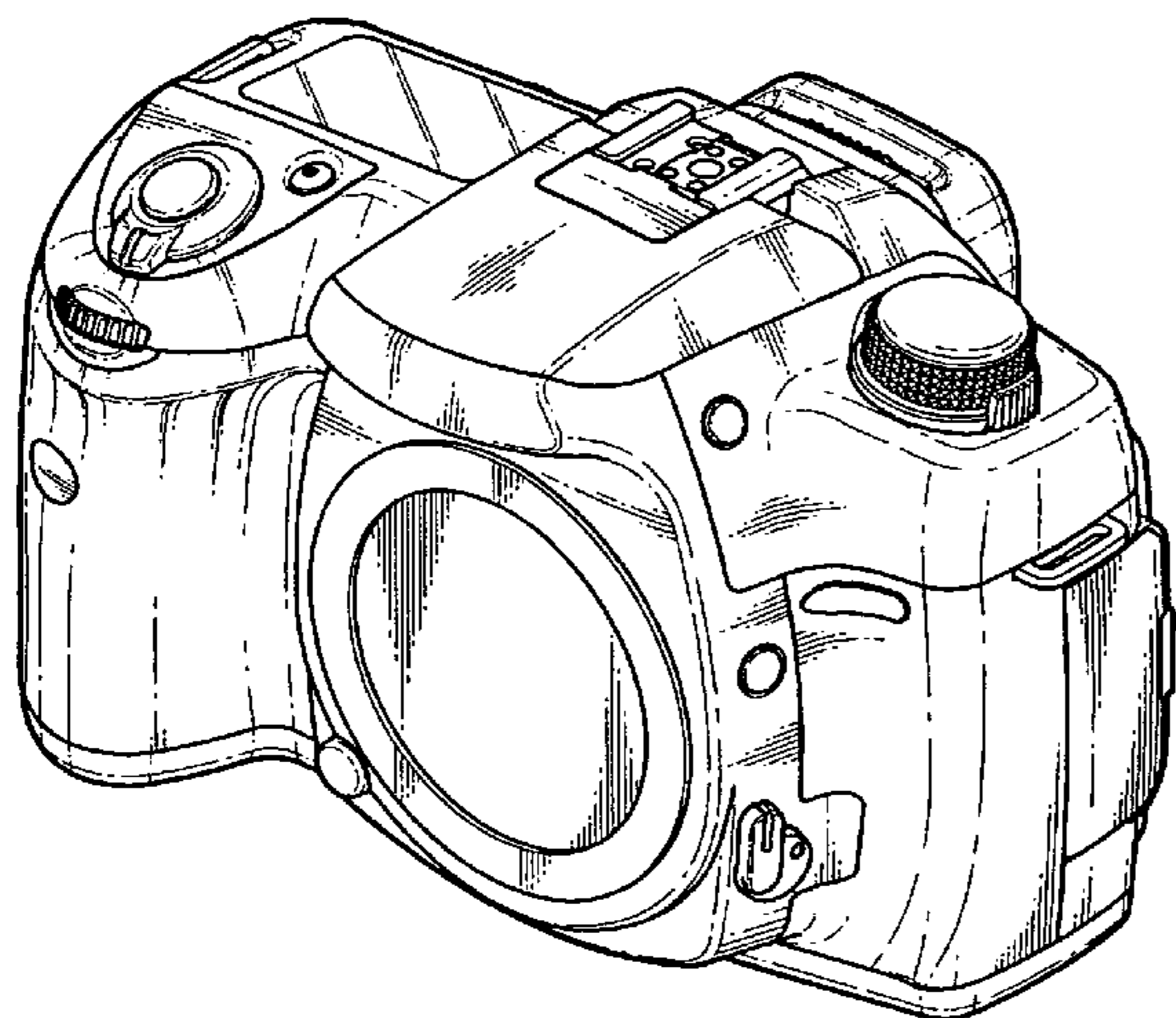


FIG. 1

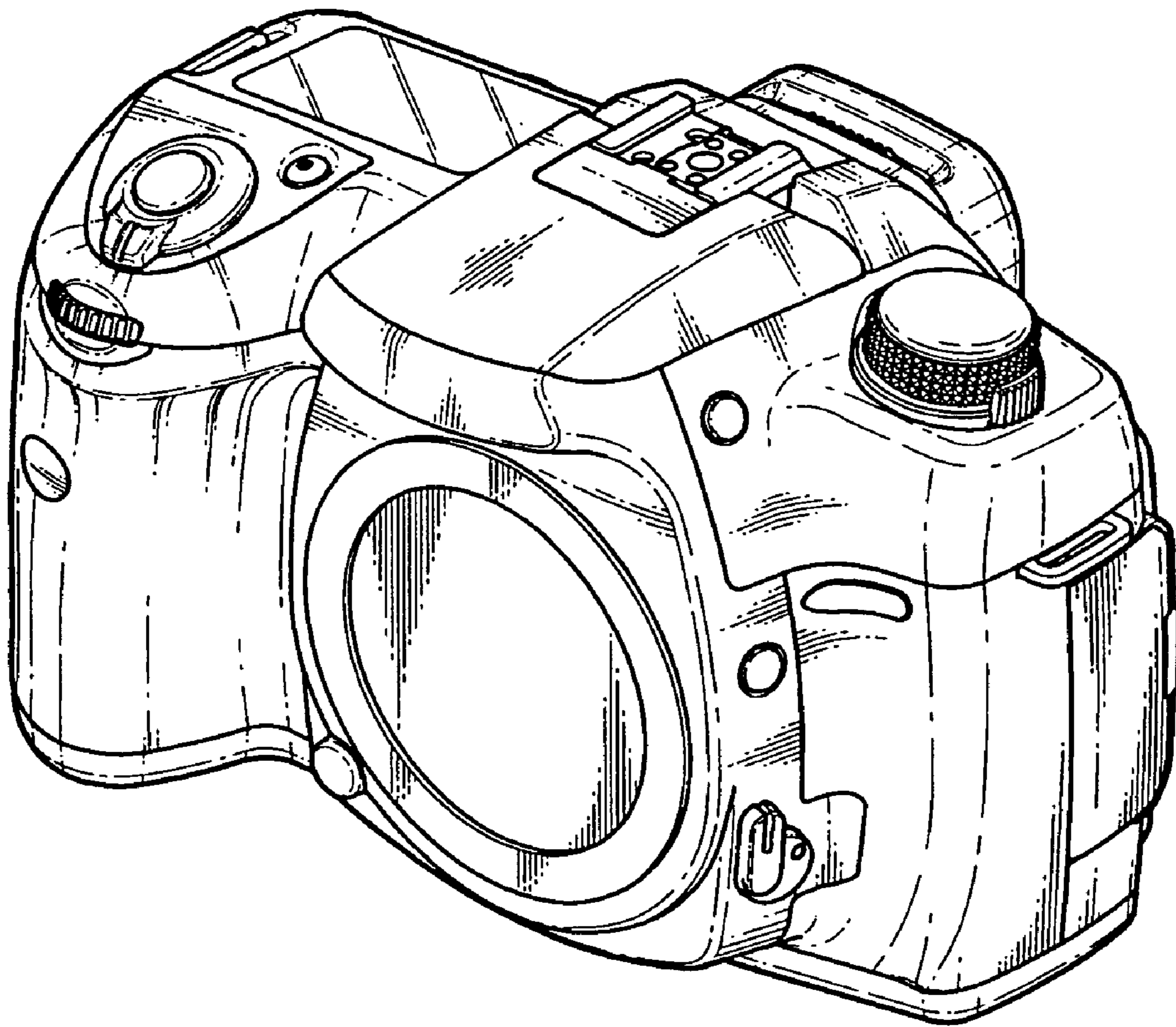


FIG. 2

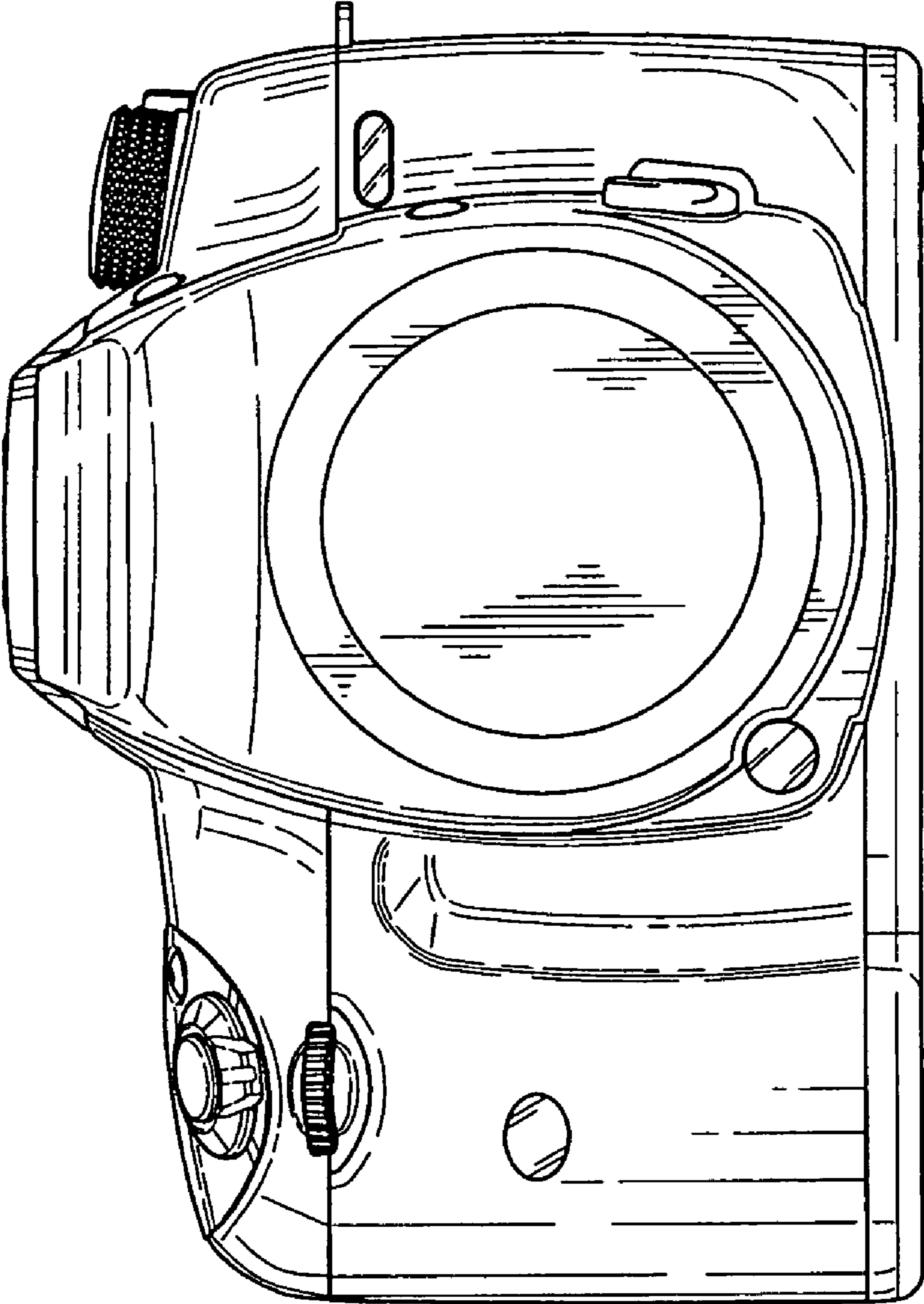


FIG. 3

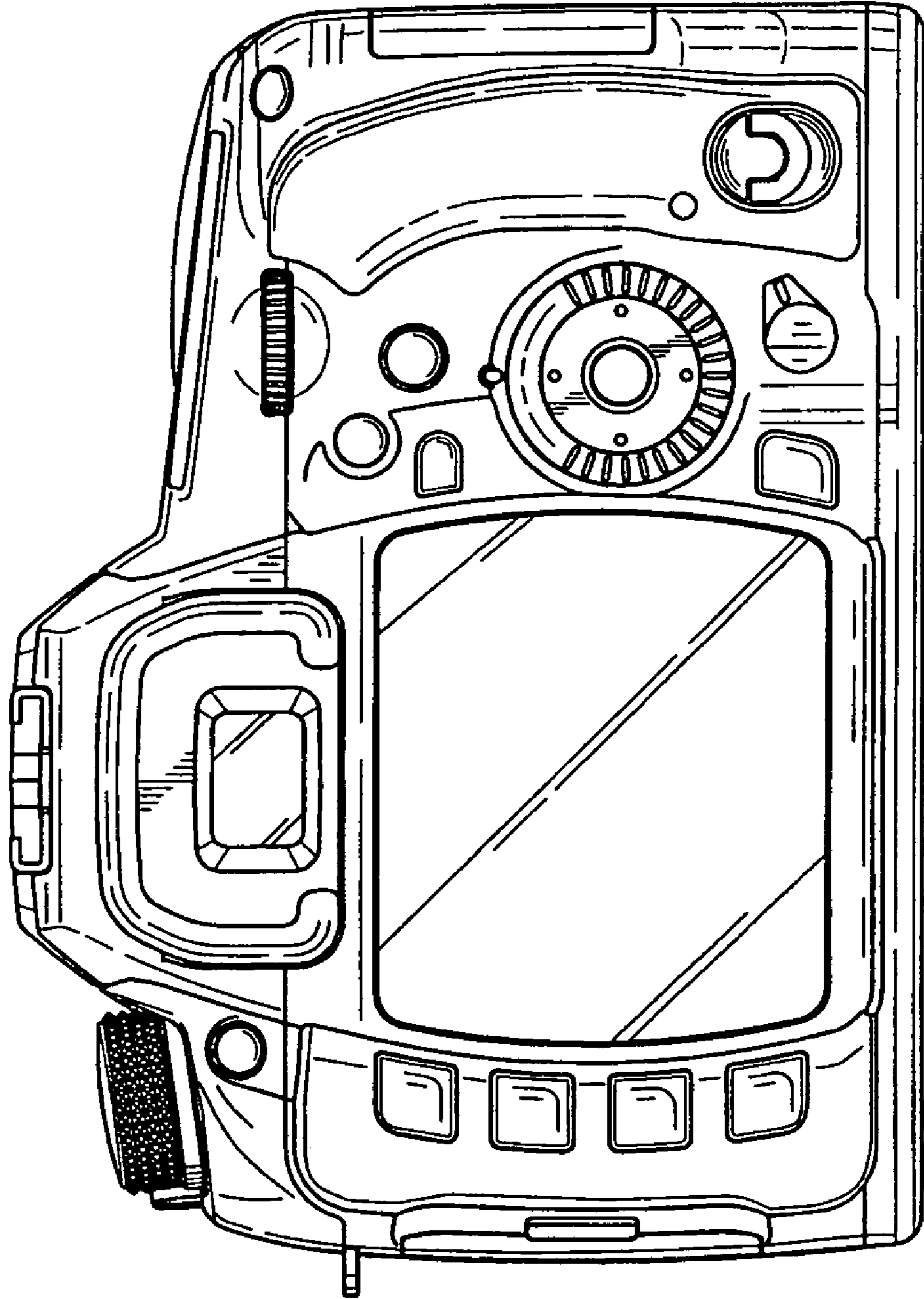


FIG. 4

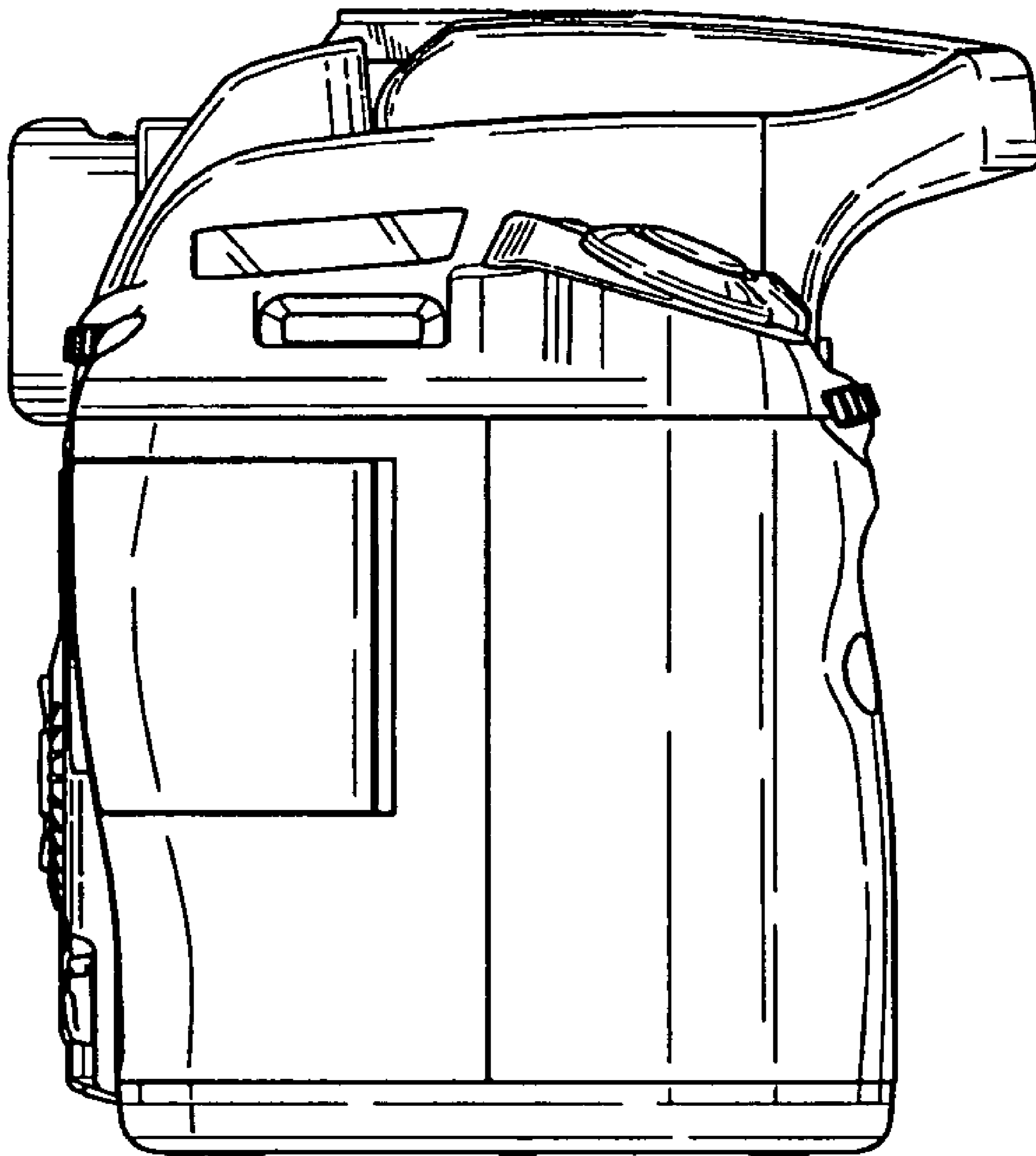


FIG. 5

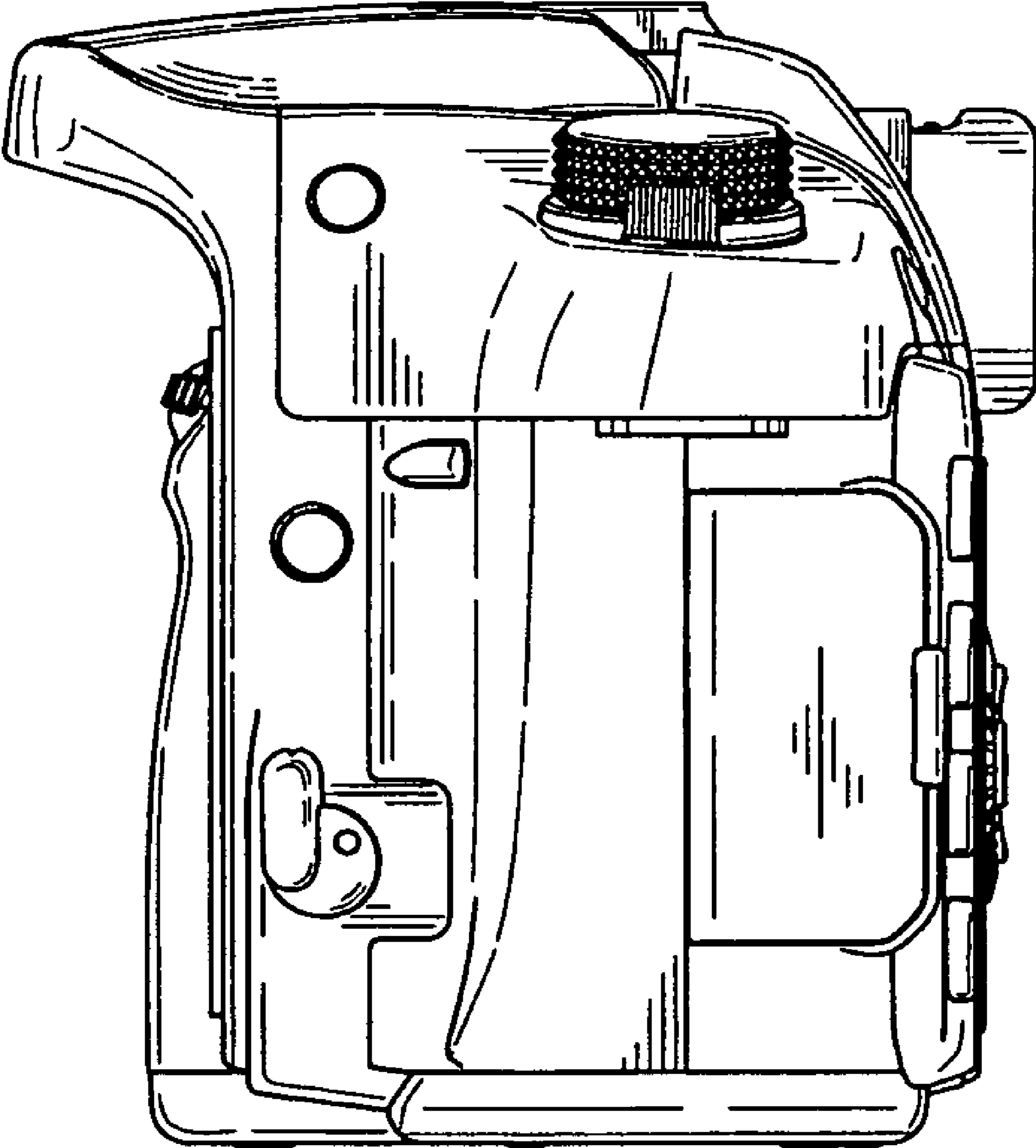


FIG. 6

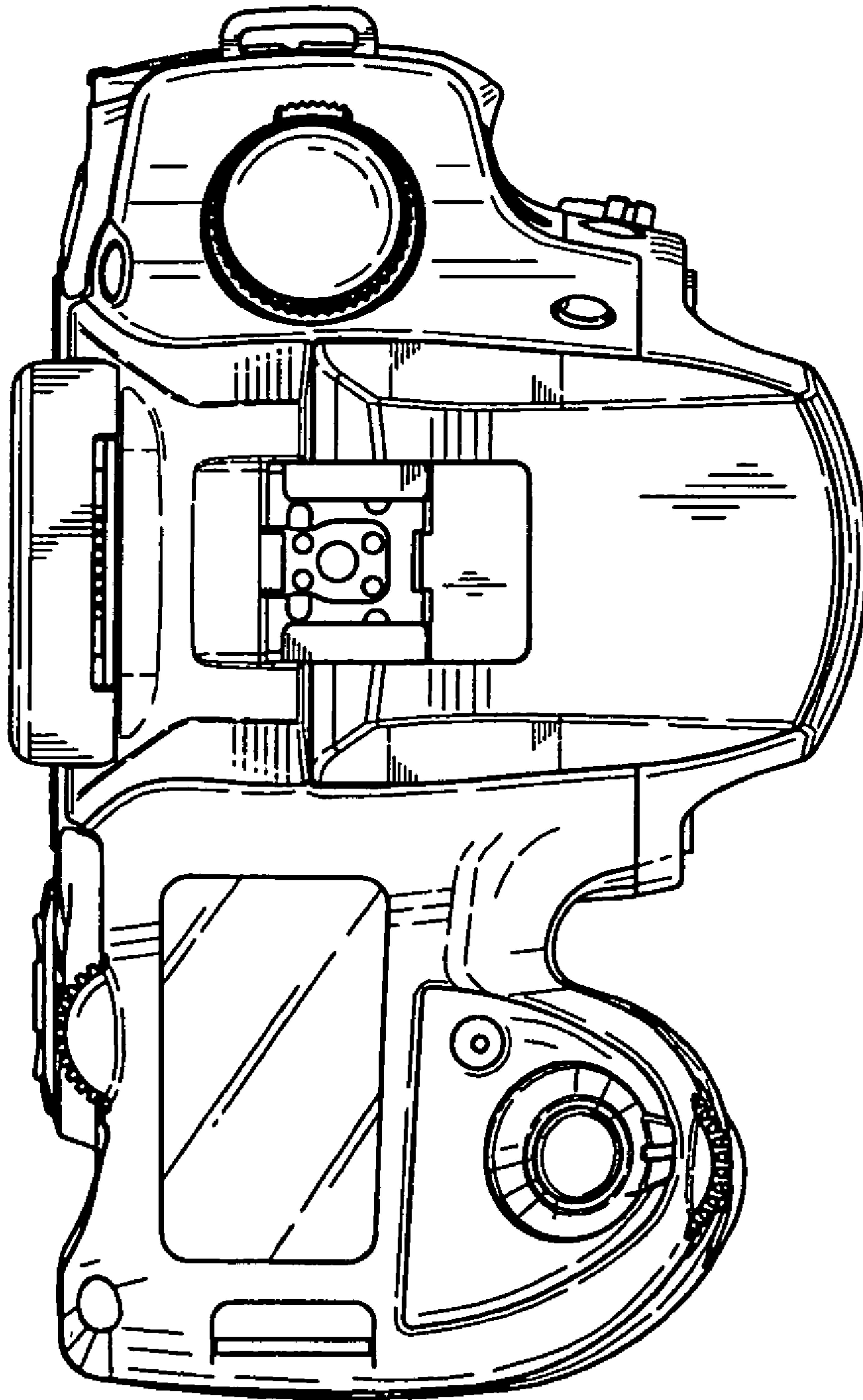


FIG. 7

