



US00D560237S

(12) **United States Design Patent**
Yoshida

(10) **Patent No.:** **US D560,237 S**
(45) **Date of Patent:** **** Jan. 22, 2008**

(54) **ELECTRONIC CAMERA**

D532,030 S * 11/2006 Yoshida D16/202
D540,357 S * 4/2007 Sakai D16/202

(75) Inventor: **Koji Yoshida**, Tokyo (JP)

* cited by examiner

(73) Assignee: **Fujifilm Corporation**, Tokyo (JP)

Primary Examiner—Adir Aronovich

(**) Term: **14 Years**

(74) *Attorney, Agent, or Firm*—Young & Thompson

(21) Appl. No.: **29/263,212**

(57) **CLAIM**

(22) Filed: **Jul. 19, 2006**

The ornamental design for an electronic camera, as shown and described.

(30) **Foreign Application Priority Data**

DESCRIPTION

Jan. 20, 2006 (JP) 2006-001100

(51) **LOC (8) Cl.** **16-01**

FIG. 1 is a top, front and side perspective view of an electronic camera showing my new design;

(52) **U.S. Cl.** **D16/202**

FIG. 2 is a front elevational view thereof;

(58) **Field of Classification Search** D16/200–204,
D16/208, 209, 218, 219; 348/373–376; 358/909.1;
396/349, 448, 535–541

FIG. 3 is a rear elevational view thereof;

See application file for complete search history.

FIG. 4 is a top plan view thereof;

FIG. 5 is a bottom plan view thereof;

(56) **References Cited**

FIG. 6 is a side elevational view thereof from the left of FIG. 2;

U.S. PATENT DOCUMENTS

FIG. 7 is a side elevational view thereof from the right of FIG. 2; and,

5,950,028 A * 9/1999 Ito 396/349
D463,471 S * 9/2002 Tanaka D16/209
D475,074 S * 5/2003 Shiotani D16/209
D524,344 S 7/2006 Imai D16/202
D528,579 S * 9/2006 Yasutomi D16/202
D532,028 S * 11/2006 Sakai D16/202

FIG. 8 is a view similar to FIG. 1 but showing the lens in a retracted position.

1 Claim, 4 Drawing Sheets

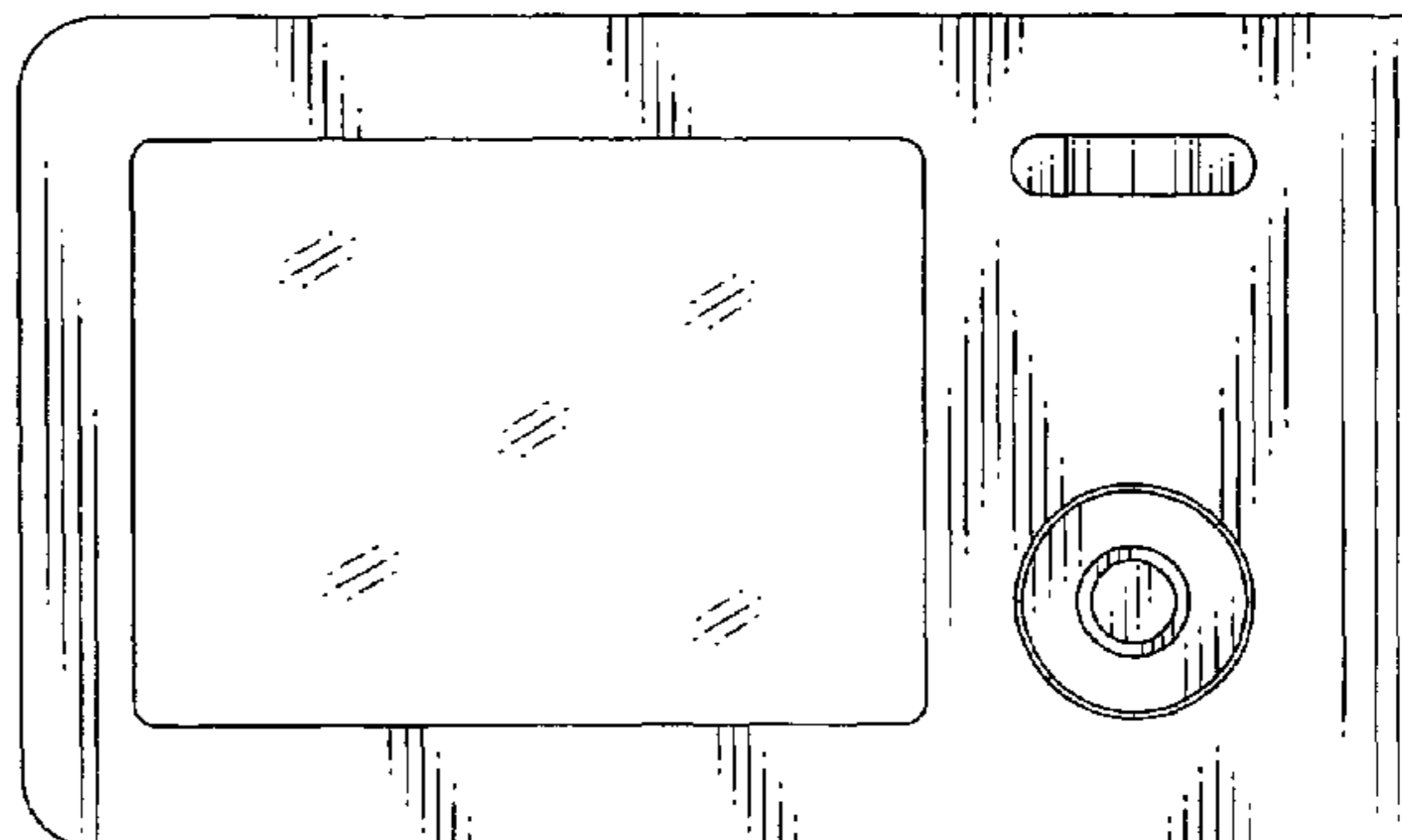
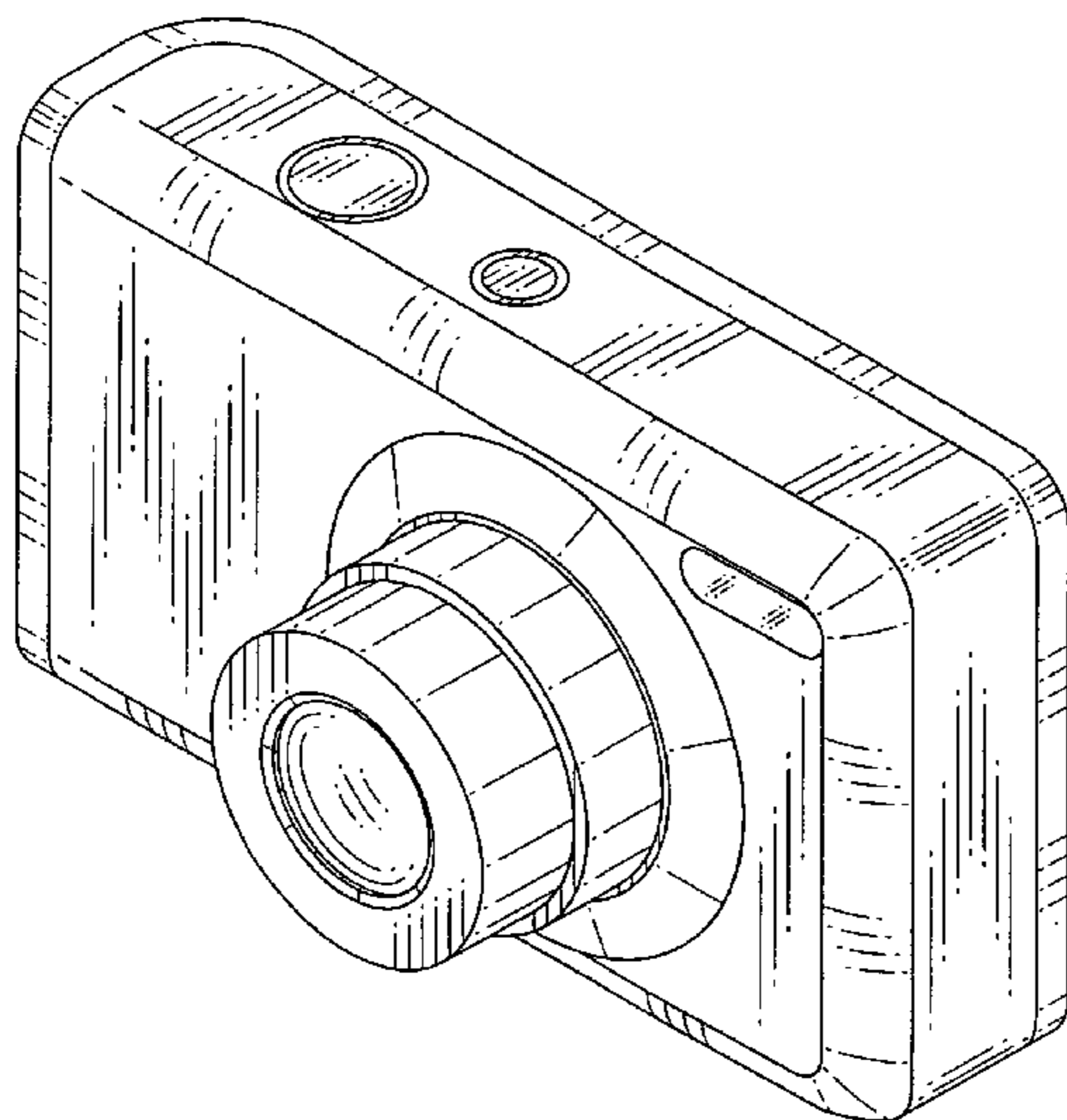


FIG. 1

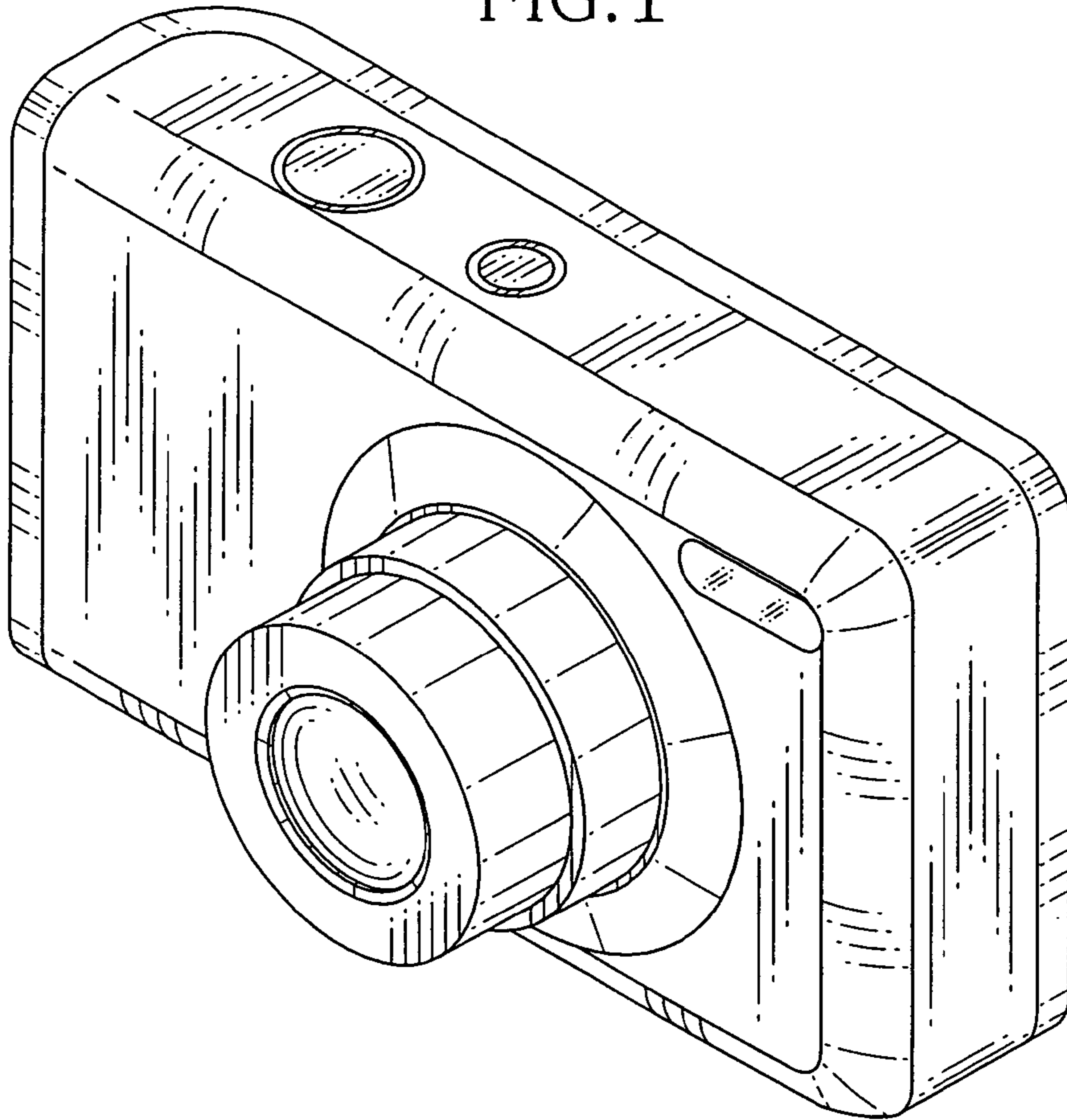


FIG. 2

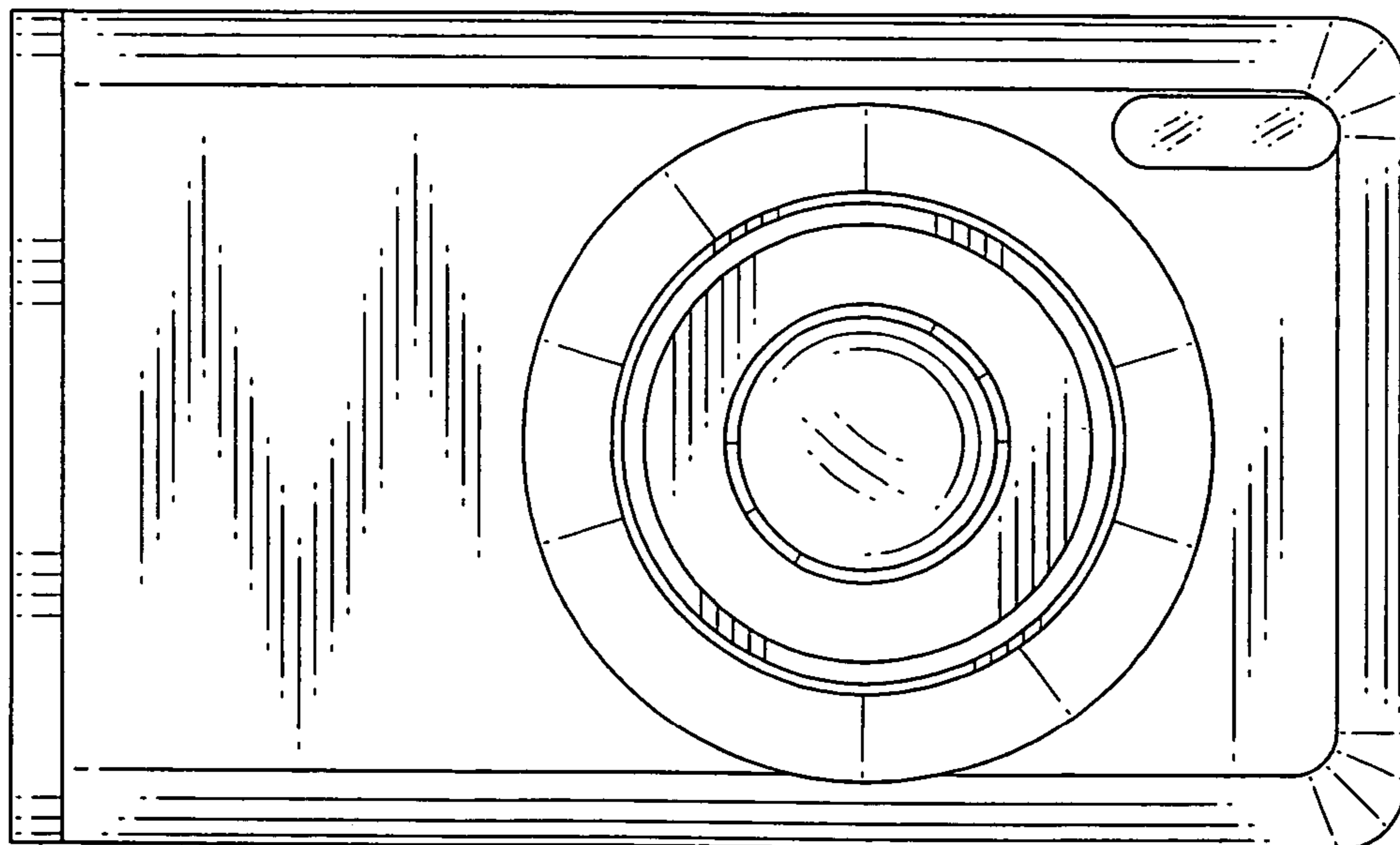


FIG. 3

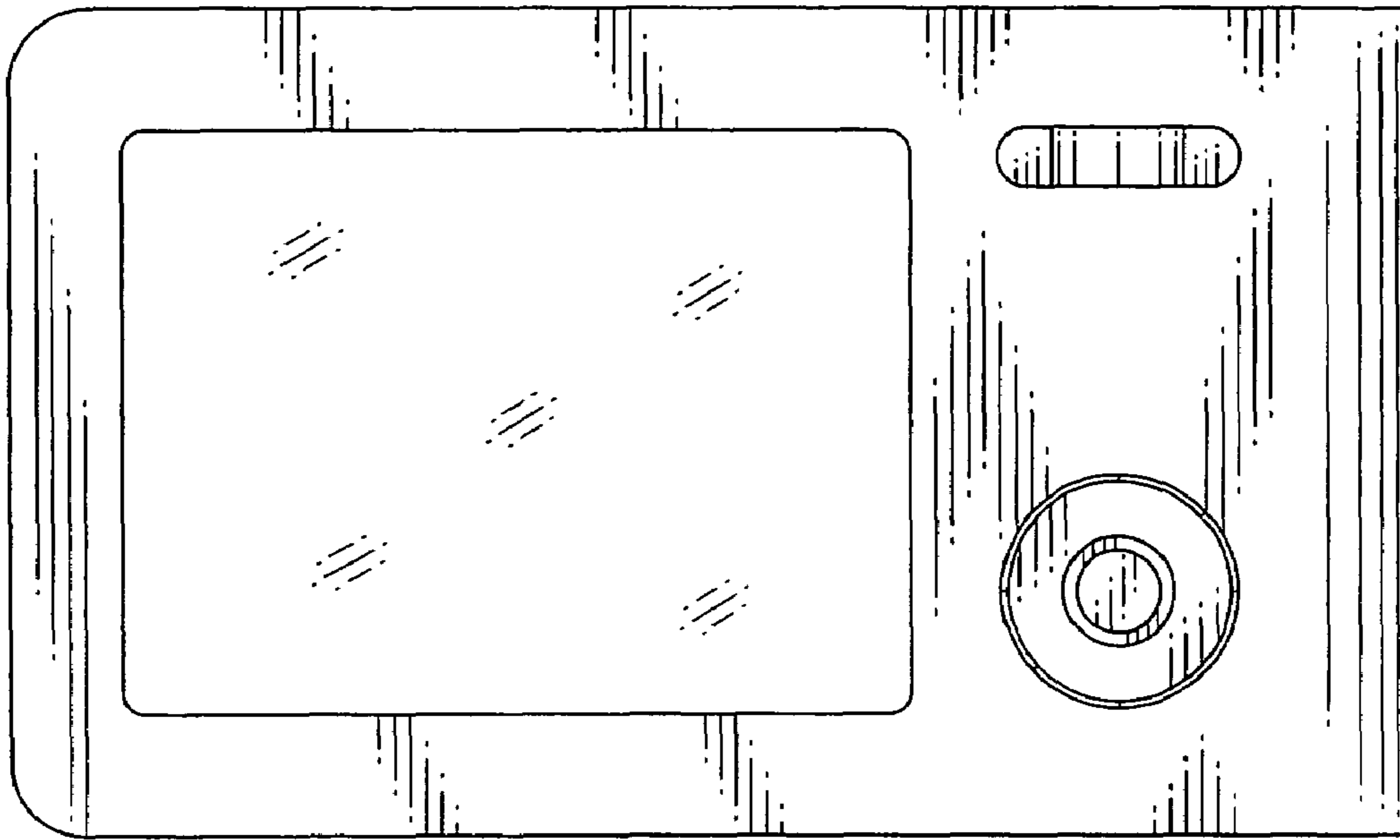


FIG. 4

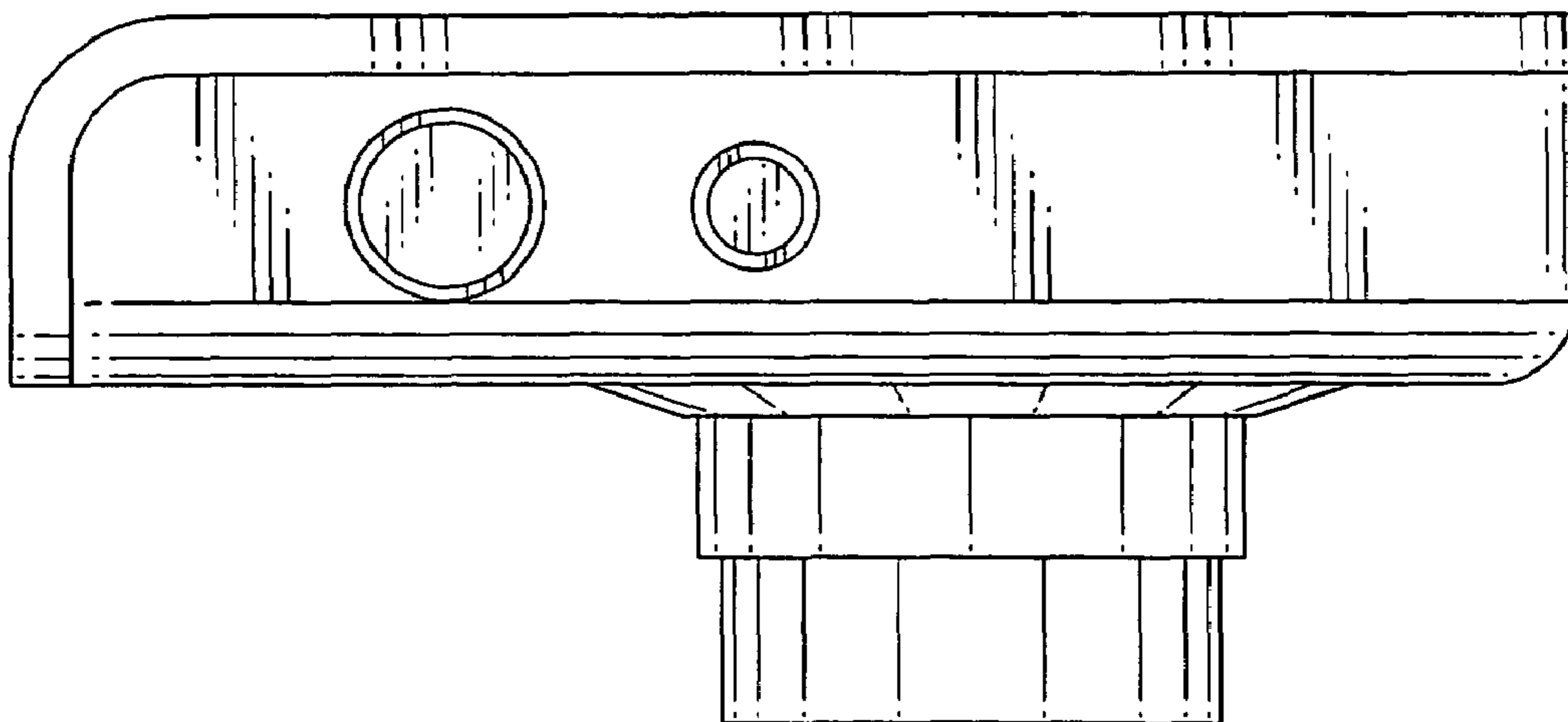


FIG. 5

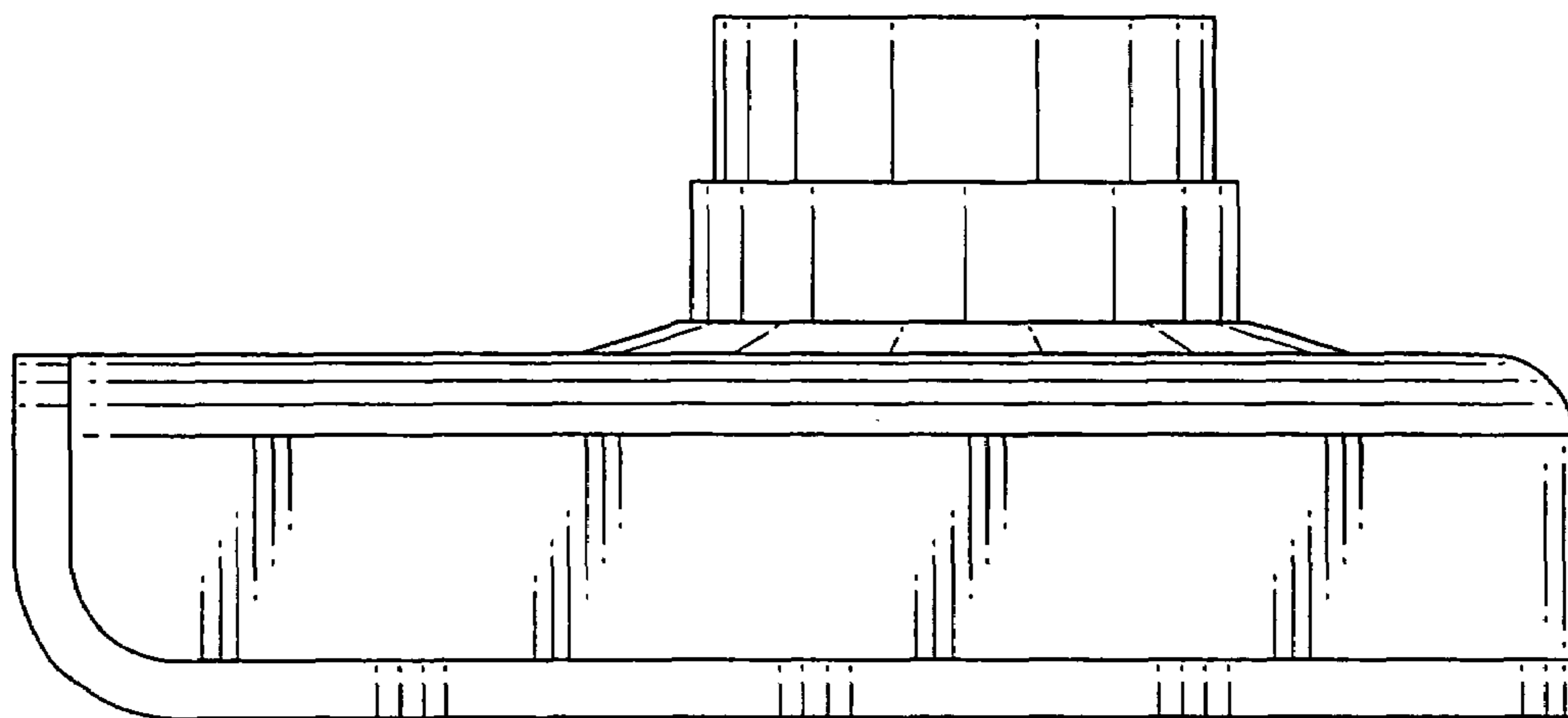


FIG. 6

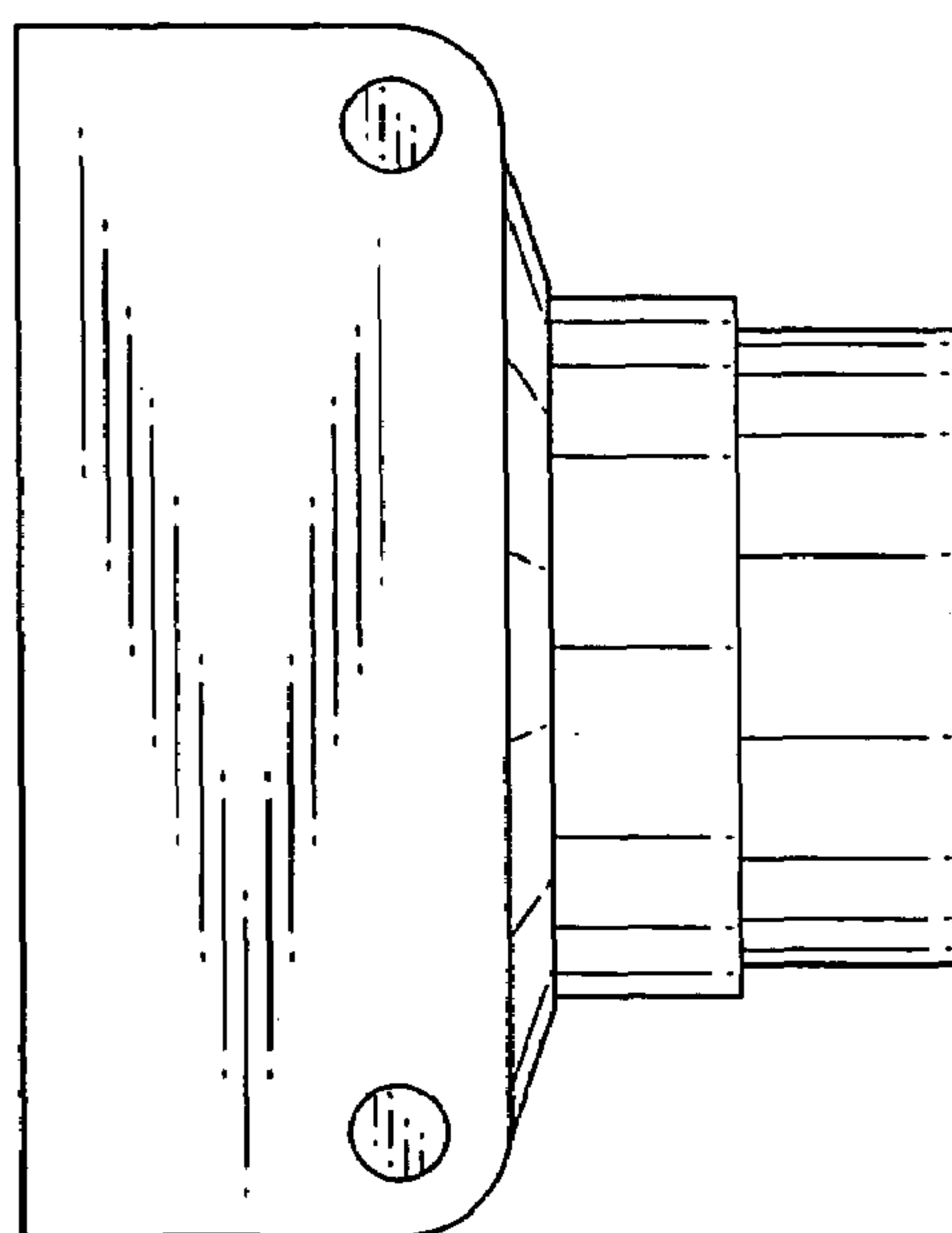


FIG. 7

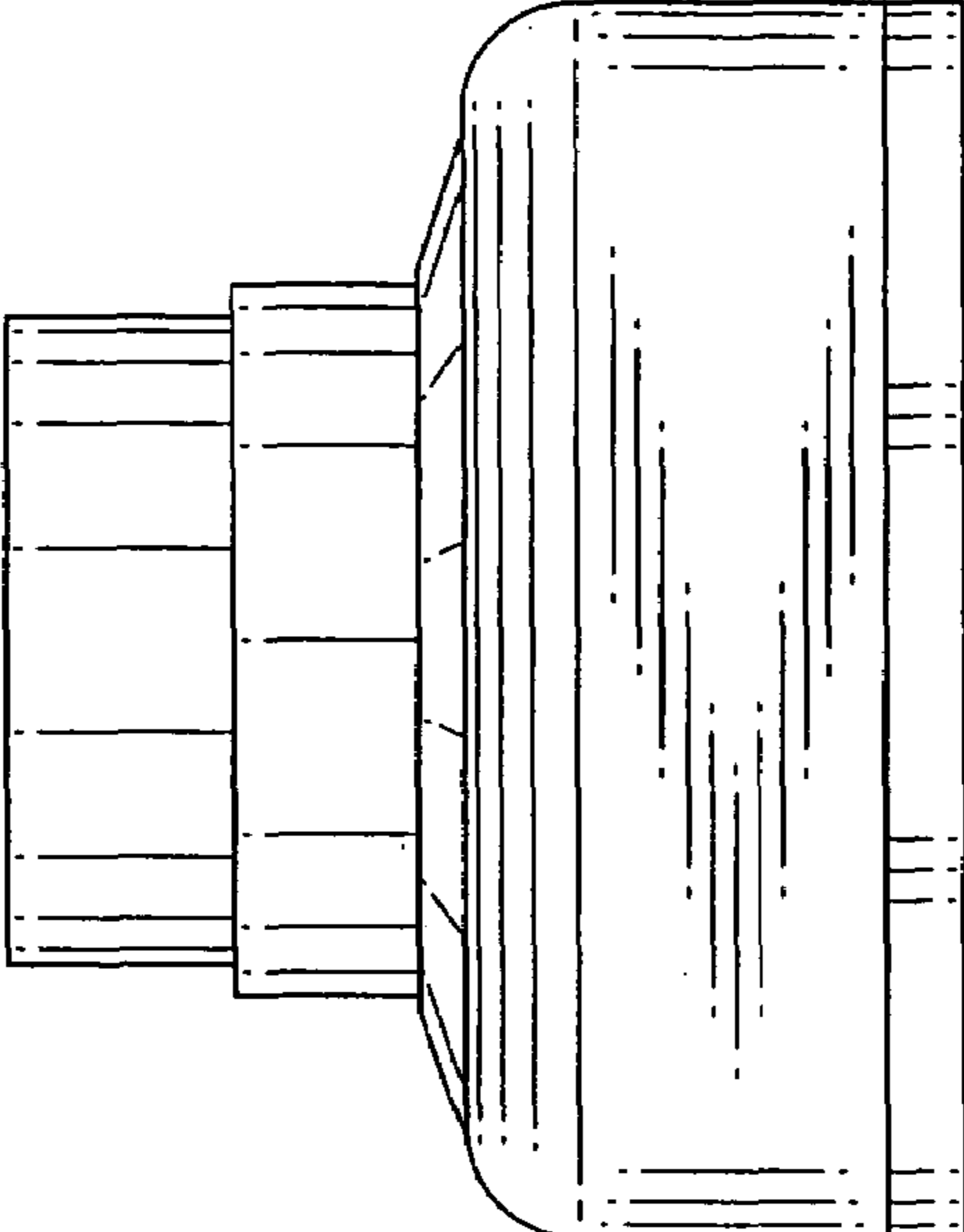


FIG. 8

