

US00D560234S

(12) **United States Design Patent**
Shimada

(10) **Patent No.:** **US D560,234 S**
(45) **Date of Patent:** **** Jan. 22, 2008**

(54) **BORING MACHINE**

(75) Inventor: **Keisuke Shimada**, Tokyo (JP)

(73) Assignee: **Nitto Kohki Co., Ltd.**, Tokyo (JP)

(**) Term: **14 Years**

(21) Appl. No.: **29/286,351**

(22) Filed: **May 2, 2007**

(51) **LOC (8) Cl.** **15-09**

(52) **U.S. Cl.** **D15/132**

(58) **Field of Classification Search** D8/69;
D15/132; 408/9, 12, 16, 17, 75, 76, 87, 90,
408/129, 132, 135, 234, 236, 214 S, 710,
408/712, 235

See application file for complete search history.

(56) **References Cited**

U.S. PATENT DOCUMENTS

2,742,801	A *	4/1956	Opocensky et al.	408/3
2,826,945	A *	3/1958	Kleinsorge	408/91
D218,574	S	9/1970	Moseley et al.	
D237,455	S	11/1975	Schramm et al.	
D284,970	S	8/1986	Wolff	
4,624,607	A	11/1986	Kato et al.	
5,007,776	A *	4/1991	Shoji	407/76
5,035,549	A	7/1991	Asano et al.	
5,087,157	A	2/1992	Shoji et al.	

D325,389	S	4/1992	Lin	
D329,438	S	9/1992	Asano et al.	
D348,074	S	6/1994	Asano	
D447,494	S *	9/2001	Miller	D15/132
D470,867	S *	2/2003	Welsh	D15/132
D470,868	S *	2/2003	Welsh	D15/132
D472,251	S *	3/2003	Shimada	D15/132
2006/0175095	A1 *	8/2006	Tsuda et al.	175/89

* cited by examiner

Primary Examiner—Antoine D. Davis

Assistant Examiner—Patricia Palasik

(74) *Attorney, Agent, or Firm*—Brinks Hofer Gilson & Lione

(57) **CLAIM**

I claim the ornamental design for a boring machine, as shown and described.

DESCRIPTION

FIG. 1 is a front view of a boring machine of the present invention;

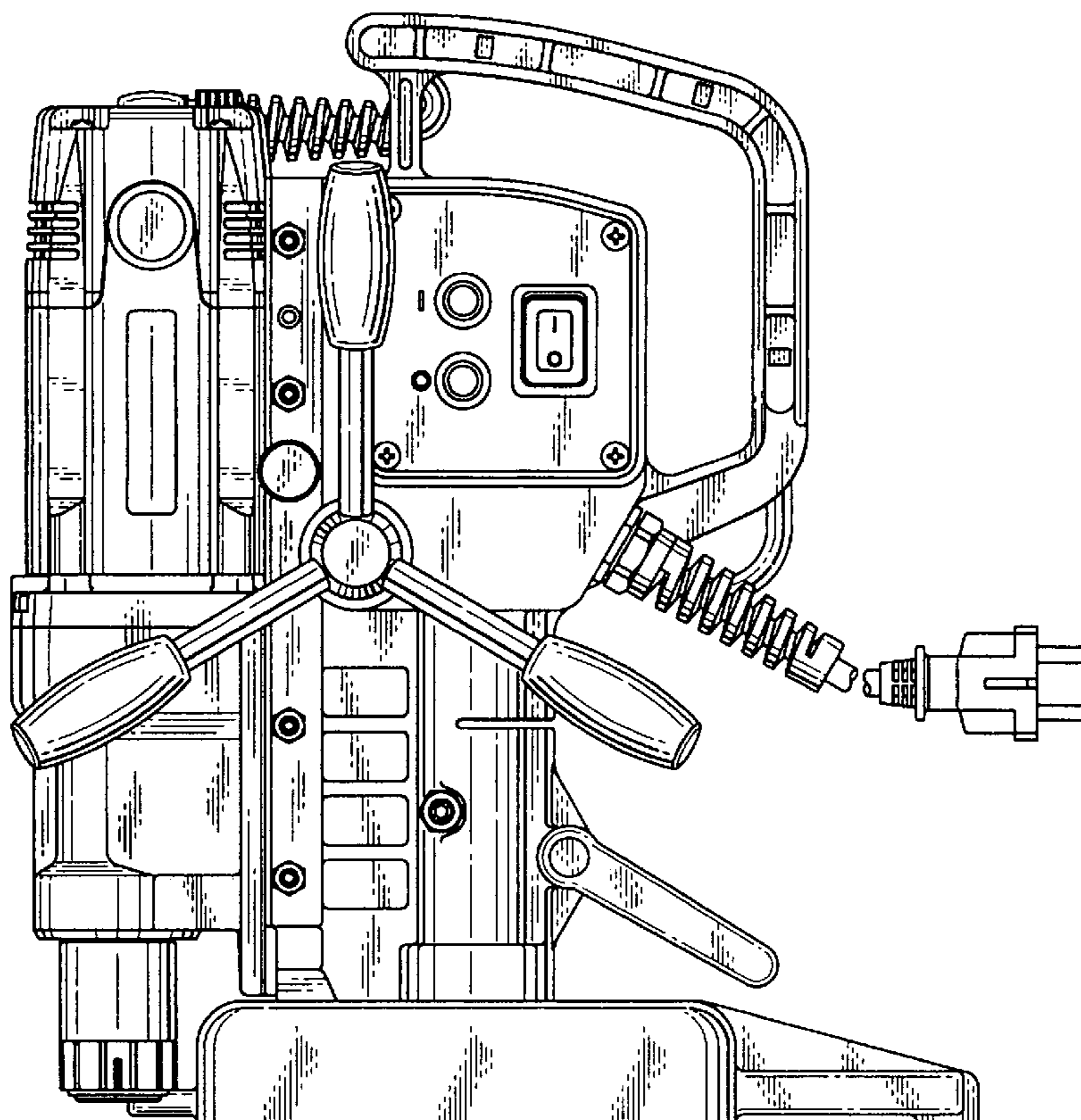
FIG. 2 is a top view thereof;

FIG. 3 is a first side view thereof;

FIG. 4 is a second side view thereof; and,

FIG. 5 is a rear view thereof.

1 Claim, 5 Drawing Sheets



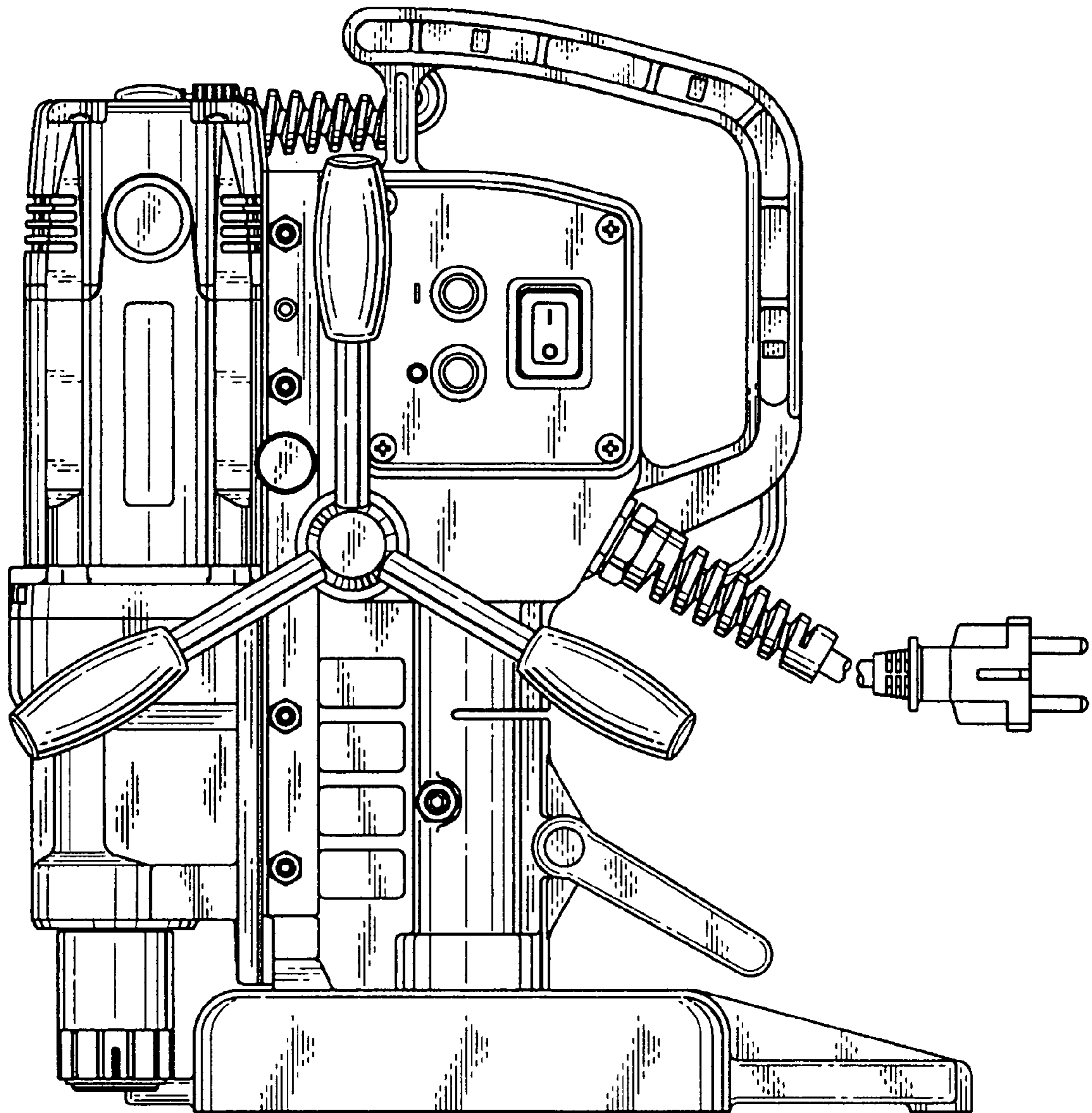


FIG. 1

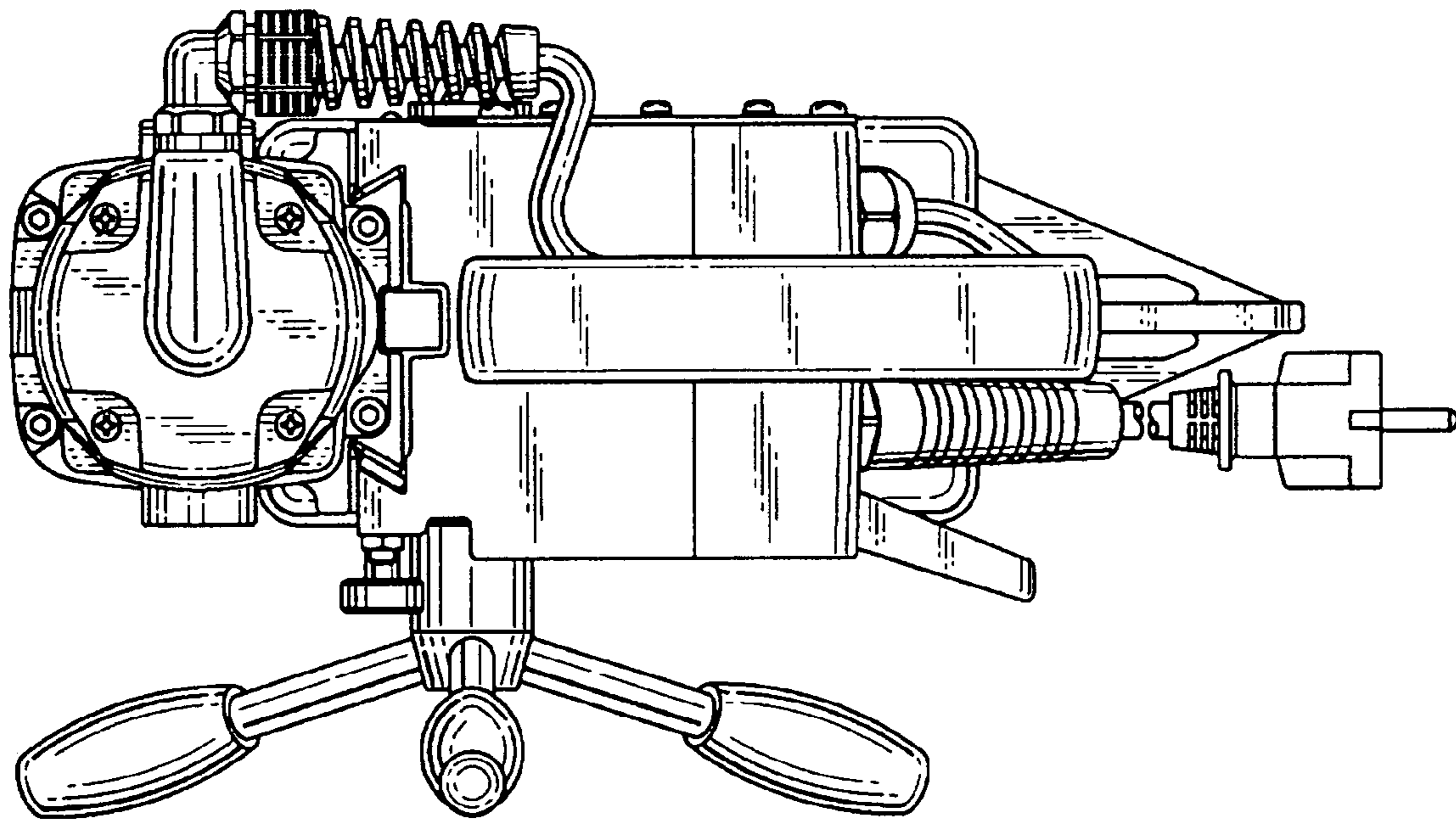


FIG.2

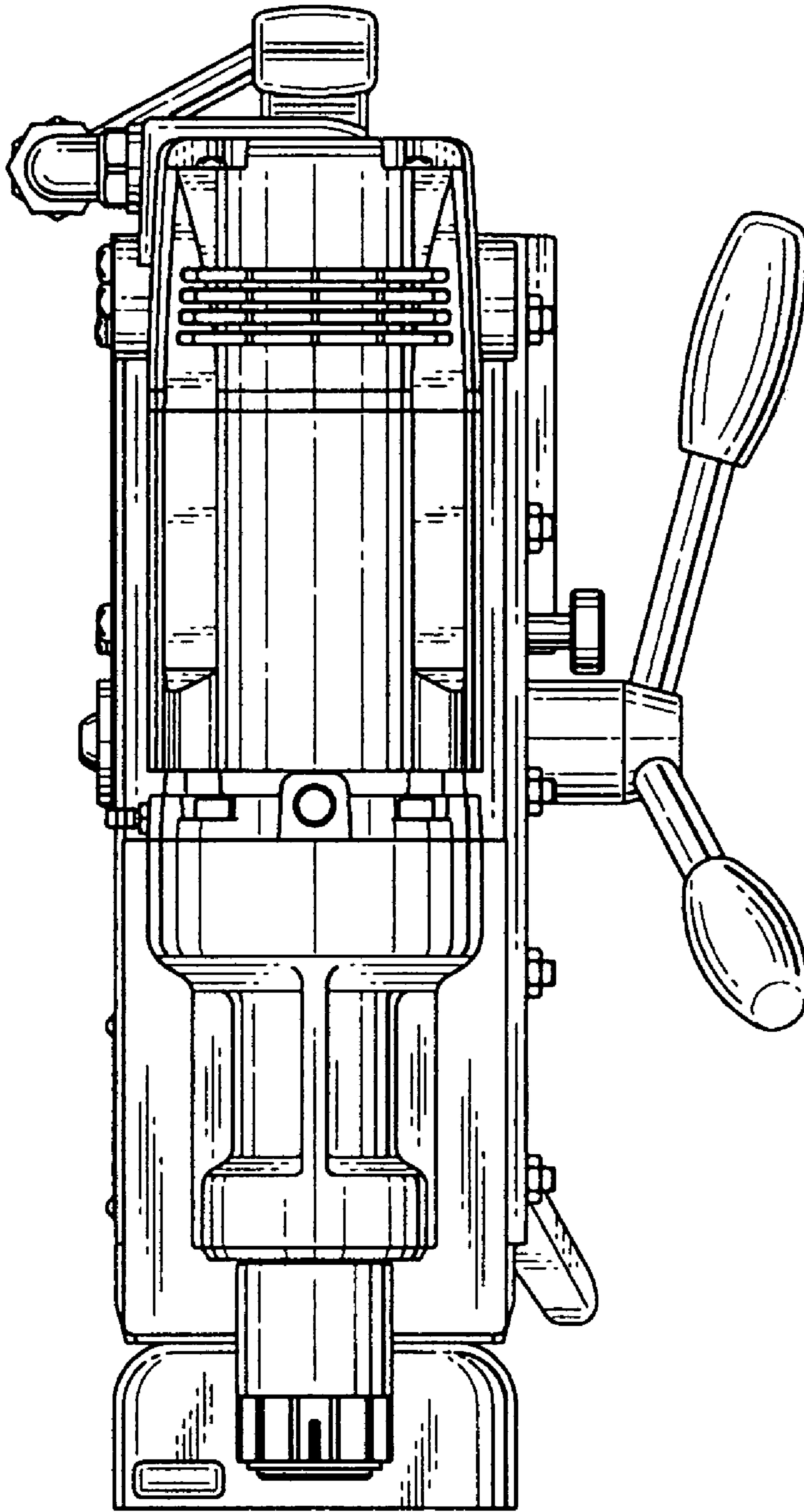


FIG.3

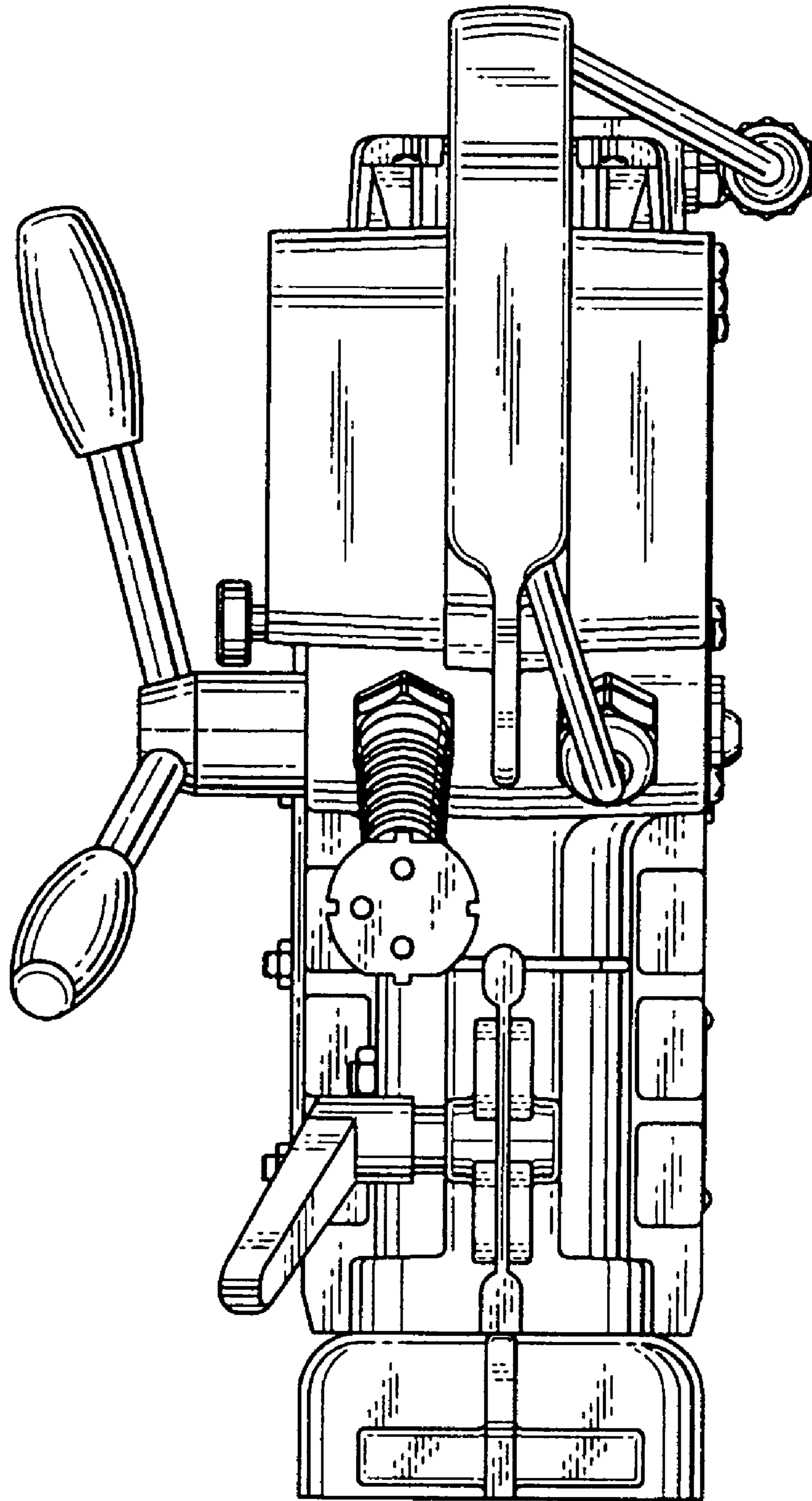


FIG. 4

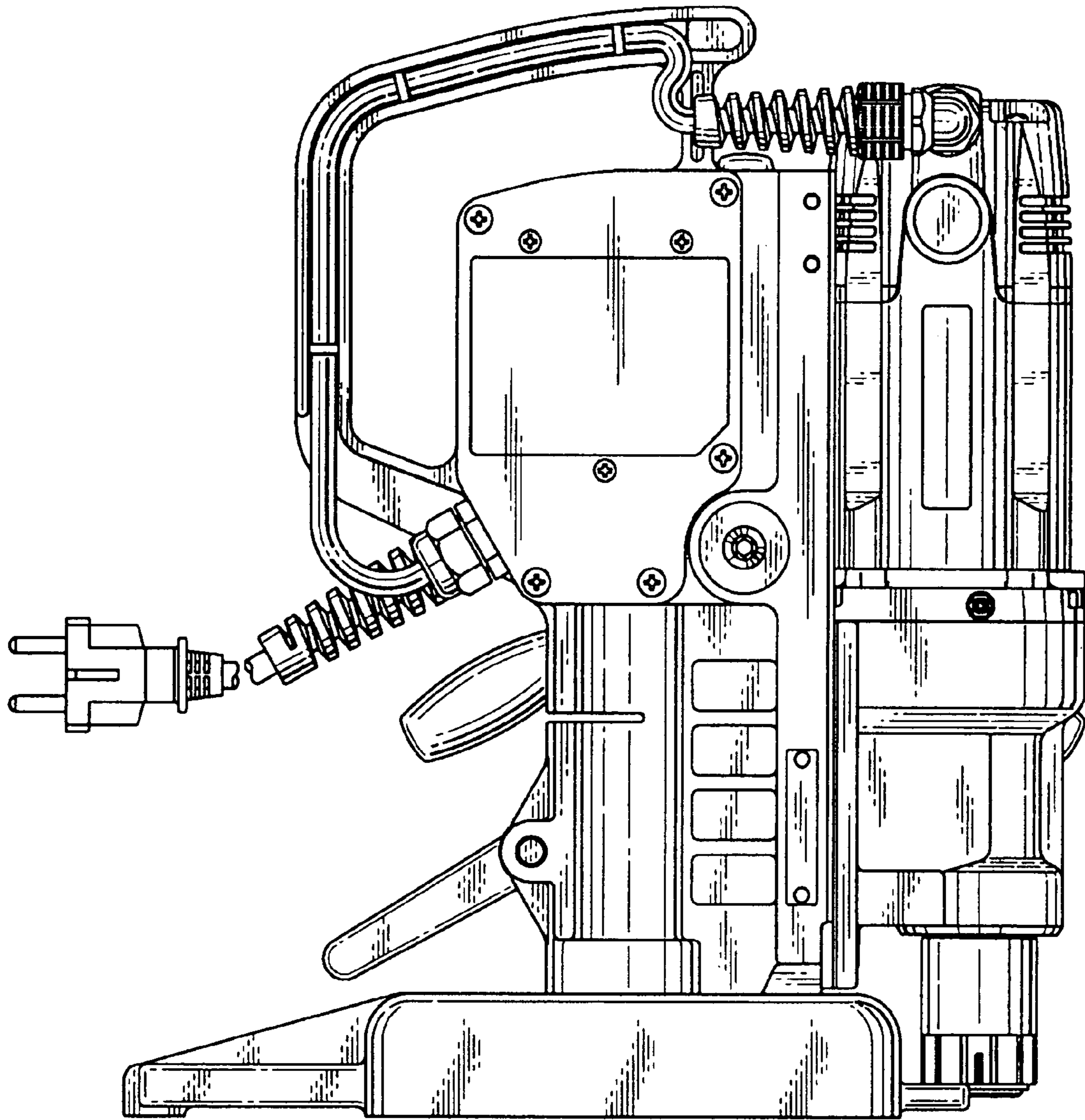


FIG.5