



US00D560233S

(12) **United States Design Patent**
Bee

(10) **Patent No.:** **US D560,233 S**

(45) **Date of Patent:** **** *Jan. 22, 2008**

(54) **SORTING APPARATUS**

(75) Inventor: **Sarah Bee**, London (GB)

(73) Assignee: **Sortex Ltd.**, London, England (GB)

(*) Notice: This patent is subject to a terminal disclaimer.

(**) Term: **14 Years**

(21) Appl. No.: **29/275,070**

(22) Filed: **Dec. 12, 2006**

(51) **LOC (8) Cl.** **15-09**

(52) **U.S. Cl.** **D15/122**

(58) **Field of Classification Search** D15/122,
D15/131, 147, 199; 209/233–235, 260, 509,
209/606, 641, 642, 680, 693, 696, 699, 707,
209/910, 911, 940

See application file for complete search history.

(56) **References Cited**

U.S. PATENT DOCUMENTS

| | | | | | |
|-----------|-----|---------|-----------------|-------|---------|
| 67,130 | A * | 7/1867 | Merrill | | 209/641 |
| 2,549,316 | A * | 4/1951 | Kremer et al. | | 209/539 |
| 2,615,567 | A * | 10/1952 | Campbell | | 209/680 |
| 2,788,124 | A * | 4/1957 | Miller | | 209/693 |
| 3,482,686 | A * | 12/1969 | Wood | | 209/587 |
| 4,140,630 | A * | 2/1979 | Scarlett et al. | | 209/313 |

| | | | | | |
|--------------|------|---------|------------------|-------|---------|
| RE31,169 | E * | 3/1983 | Holmes | | 209/699 |
| 5,335,784 | A * | 8/1994 | Tyler | | 209/260 |
| 5,469,972 | A * | 11/1995 | St-Pierre et al. | | 209/245 |
| 6,252,188 | B1 * | 6/2001 | Zapata et al. | | 209/577 |
| 2004/0142486 | A1 * | 7/2004 | Weselak et al. | | 436/174 |

* cited by examiner

Primary Examiner—Antoione D. Davis

Assistant Examiner—Patricia Palasik

(74) *Attorney, Agent, or Firm*—Davis Wright Tremaine LLP

(57) **CLAIM**

The ornamental design for a sorting apparatus, as shown and described.

DESCRIPTION

FIG. 1 is a front, top and right side isometric view of a sorting apparatus showing the new design;

FIG. 2 is a front, top and left side isometric view thereof;

FIG. 3 is a front elevational view thereof;

FIG. 4 is a left elevational view thereof;

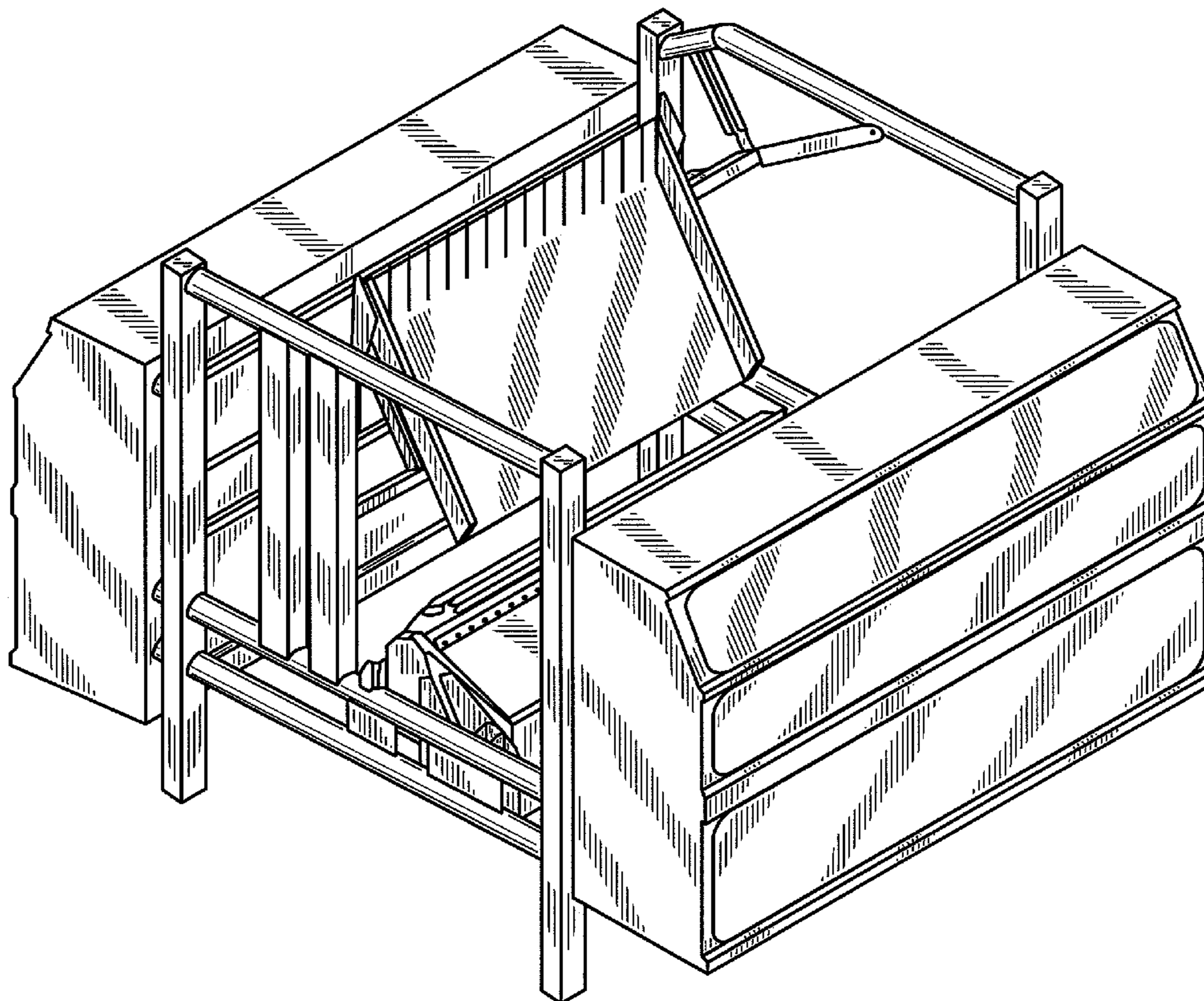
FIG. 5 is a rear elevational view thereof;

FIG. 6 is a right elevational view thereof;

FIG. 7 is a top plan view thereof; and,

FIG. 8 is a bottom plan view thereof.

1 Claim, 8 Drawing Sheets



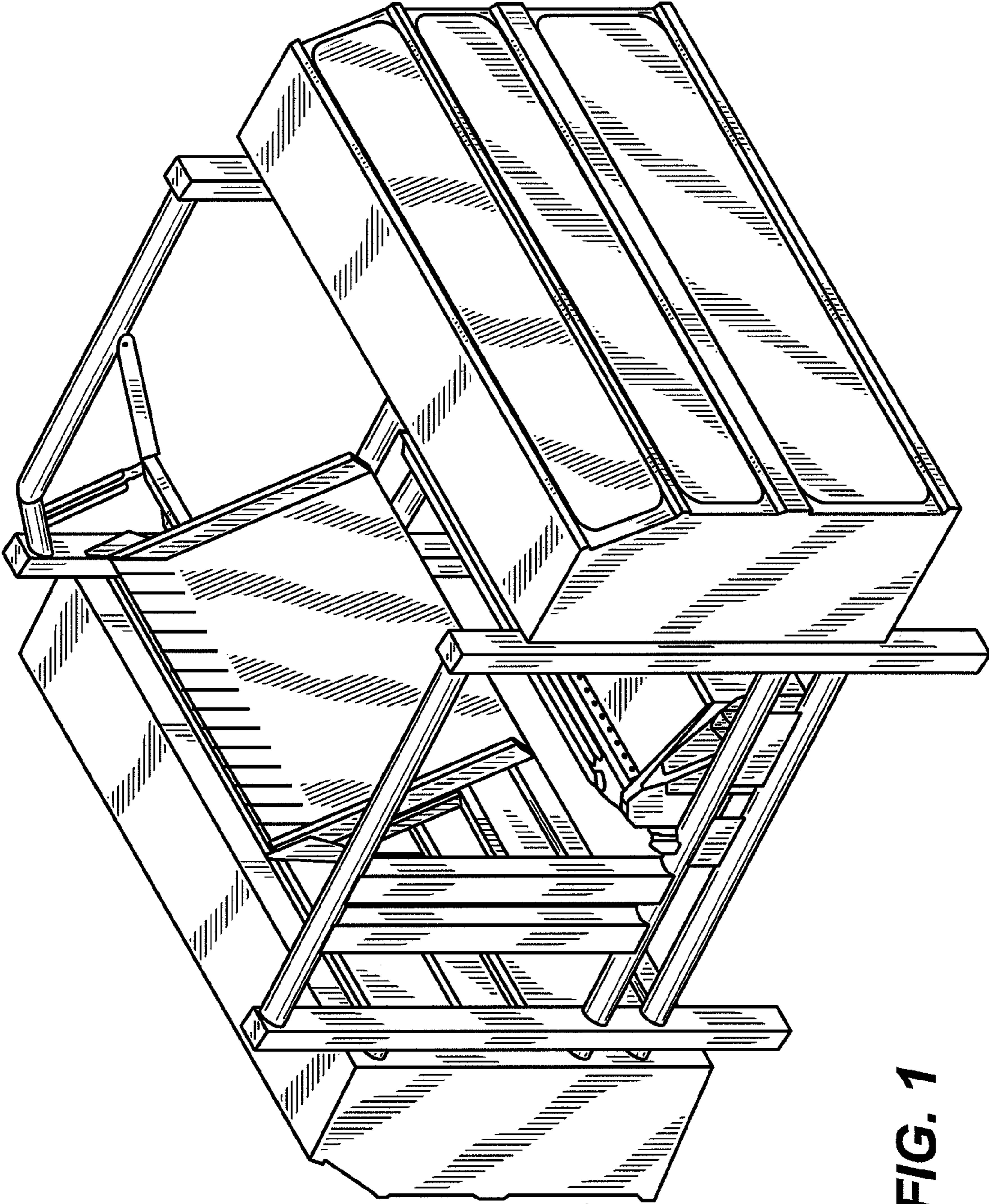


FIG. 1

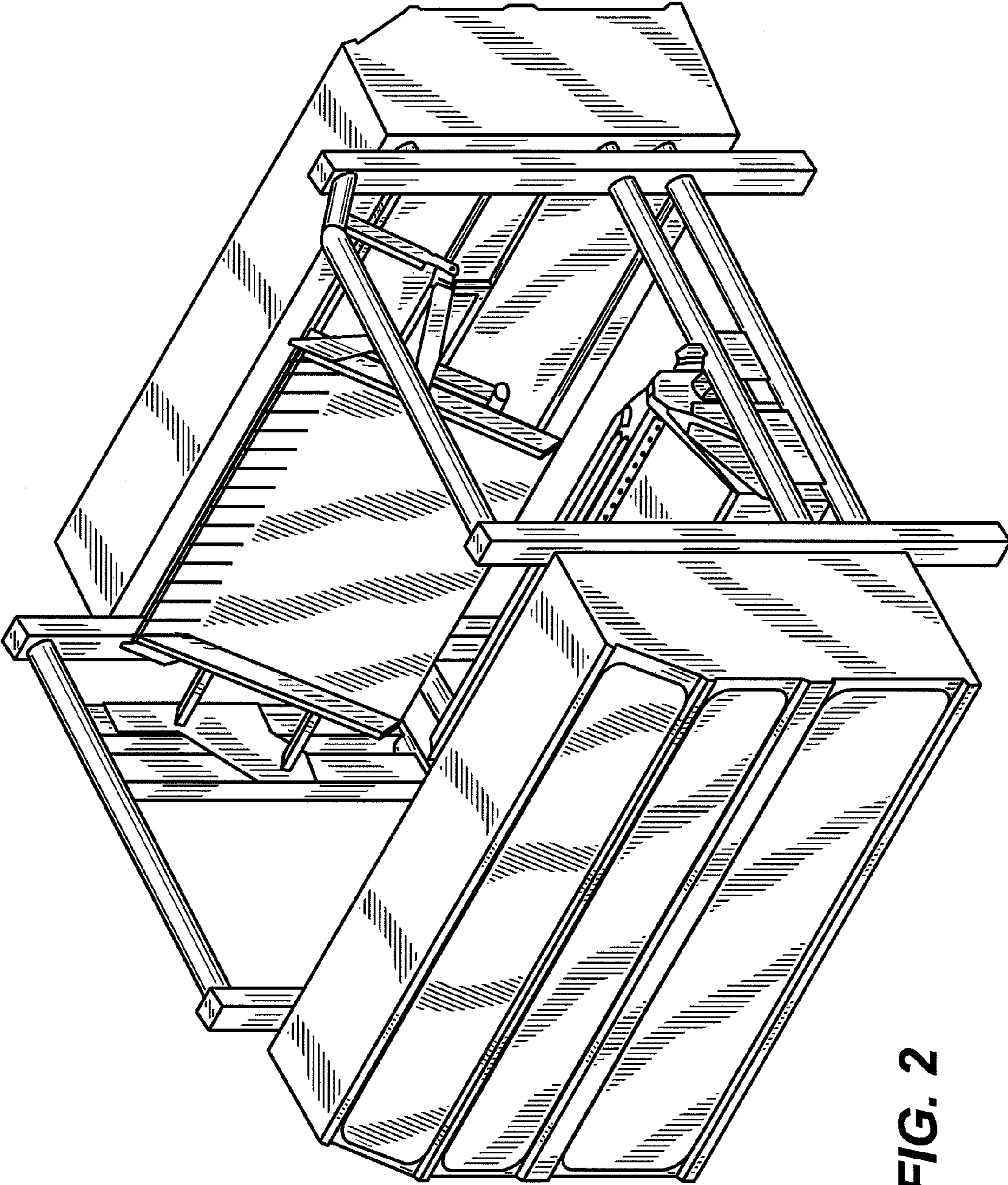


FIG. 2

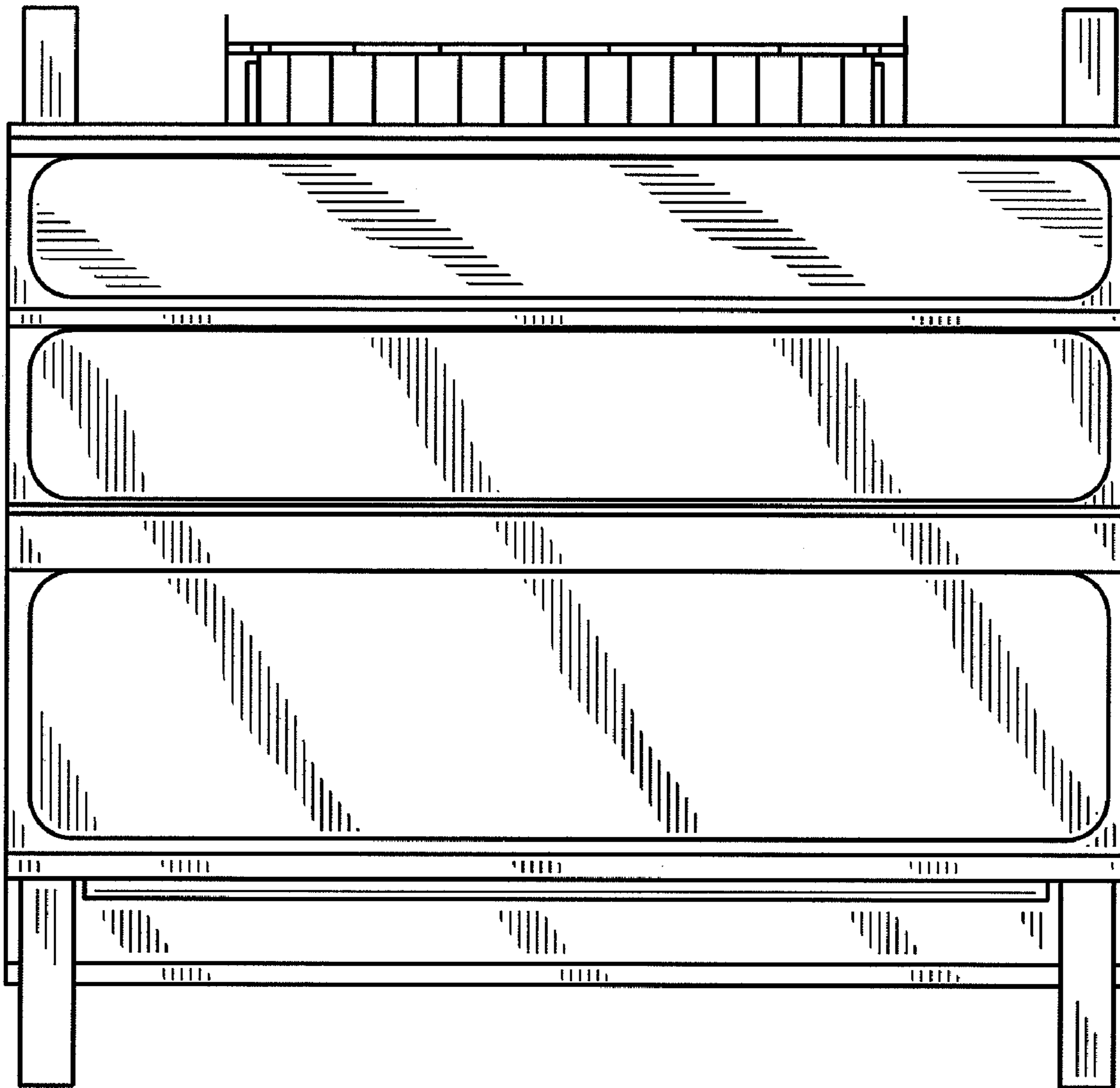


FIG. 3

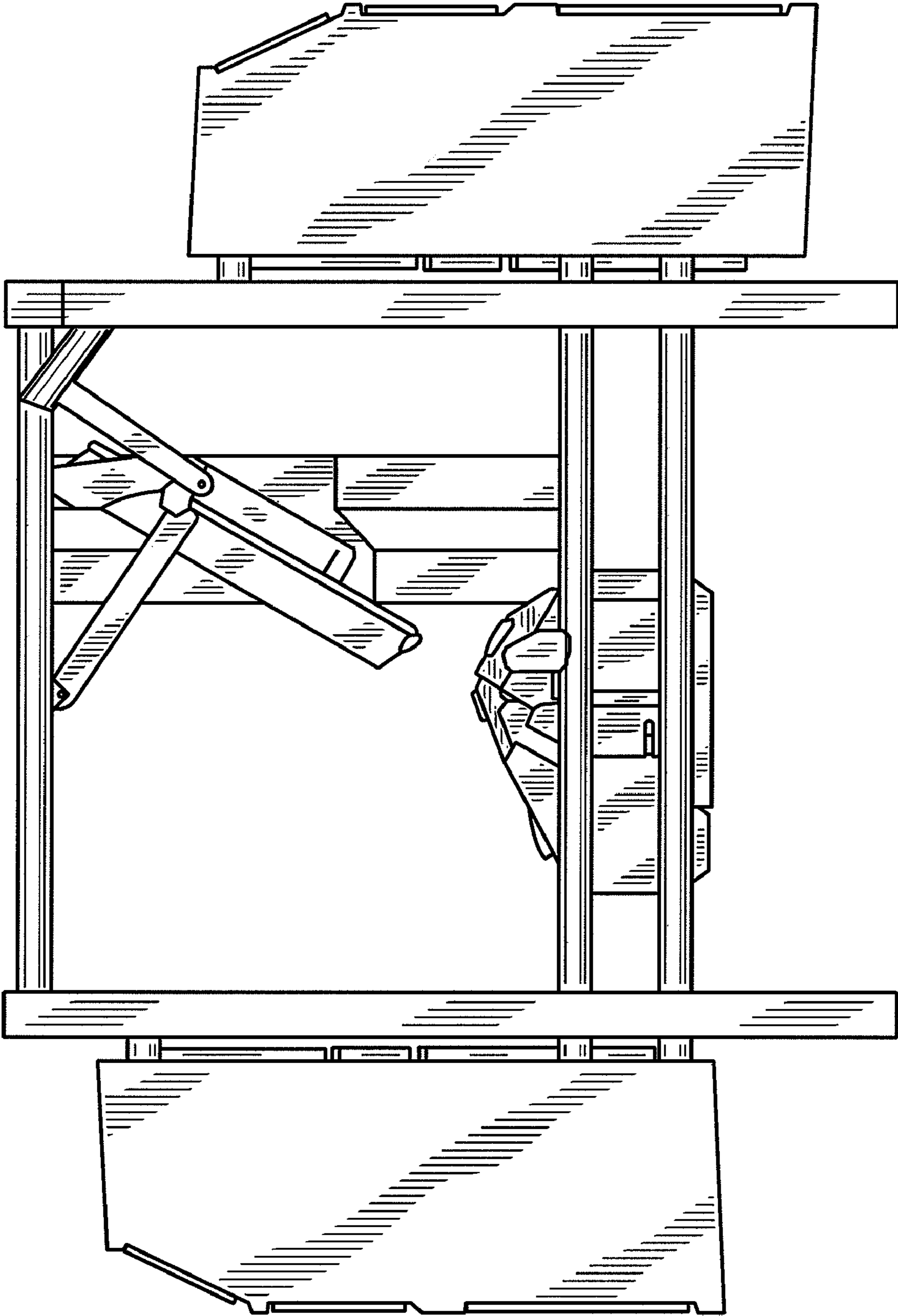


FIG. 4

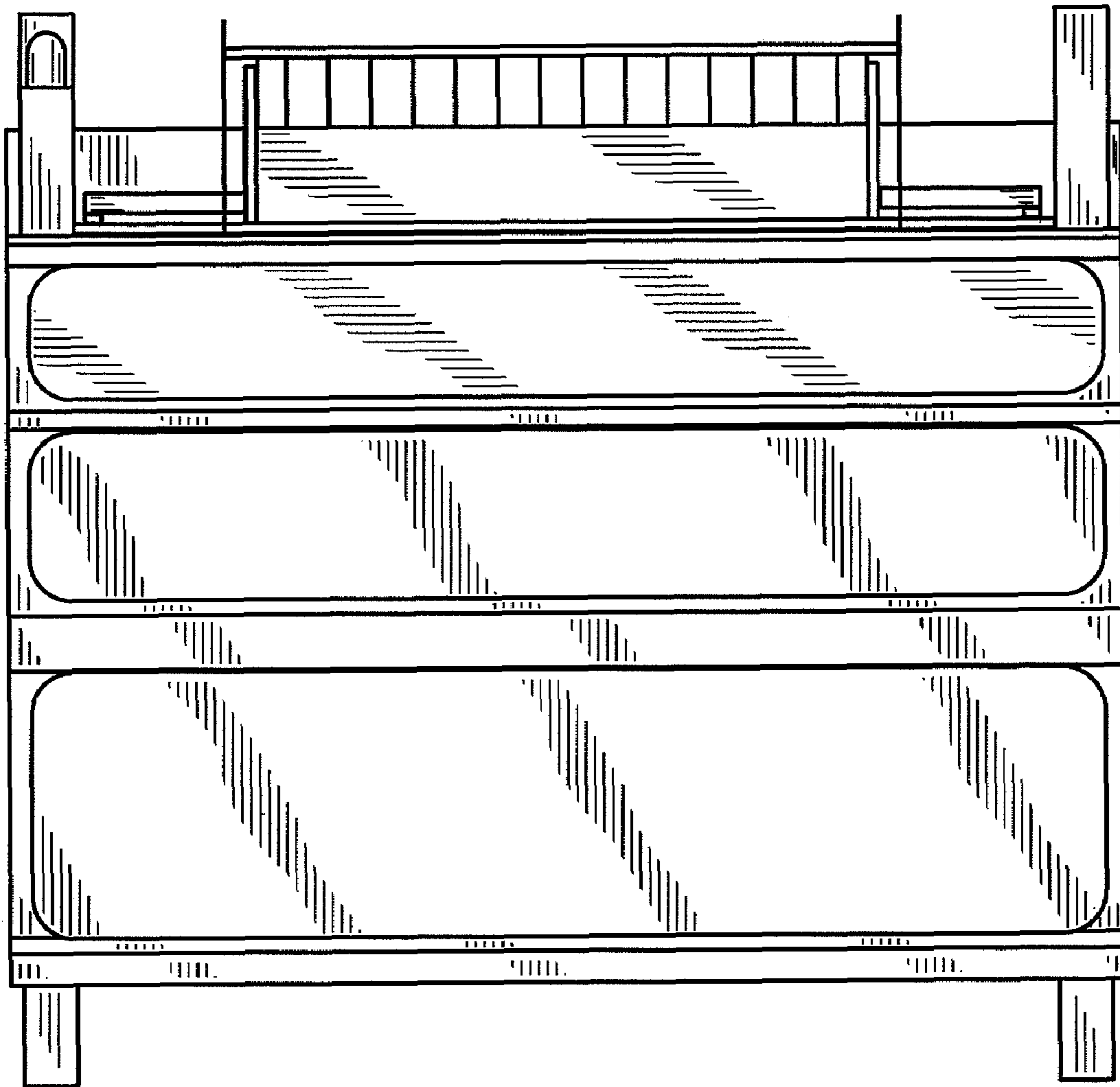


FIG. 5

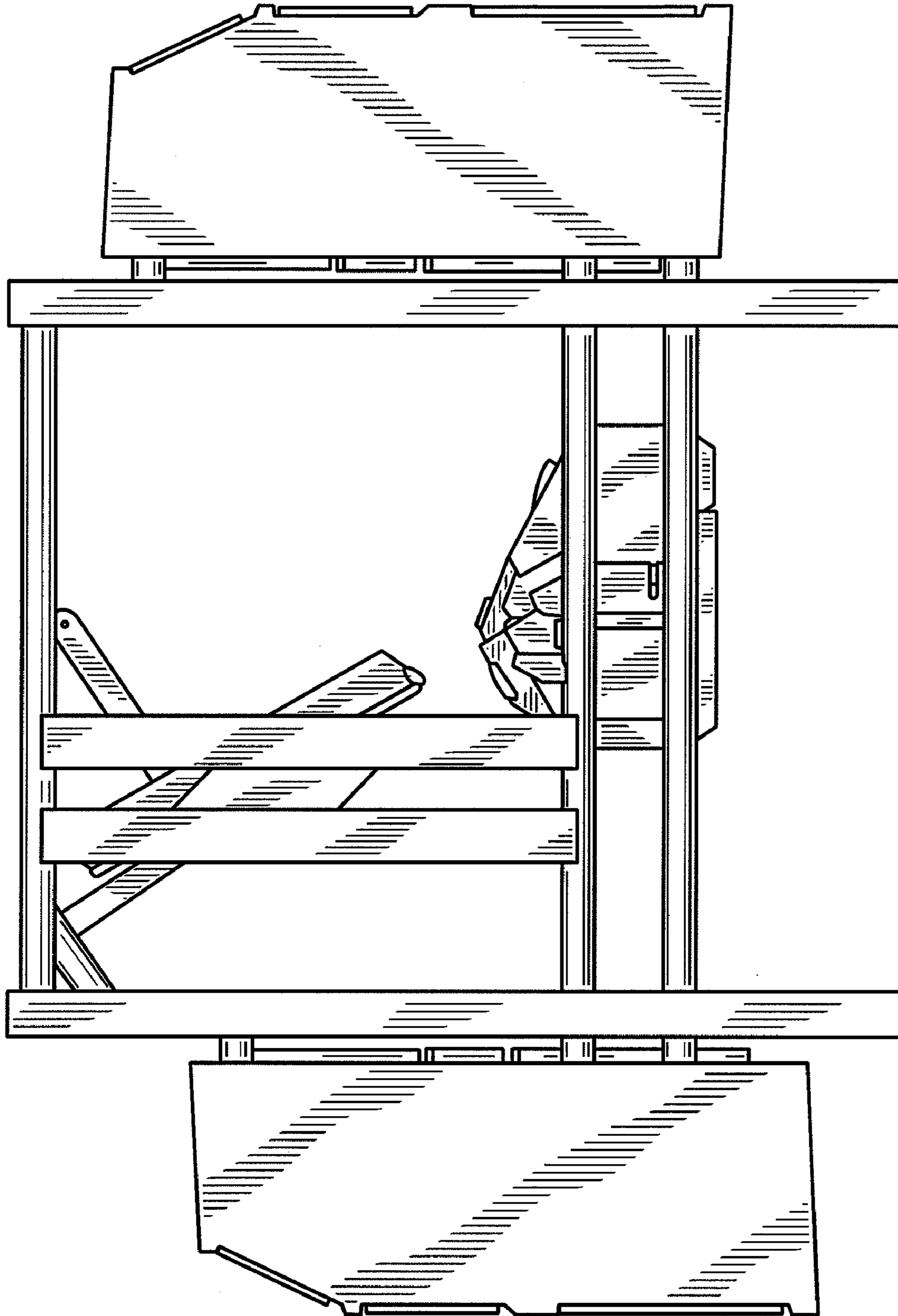


FIG. 6

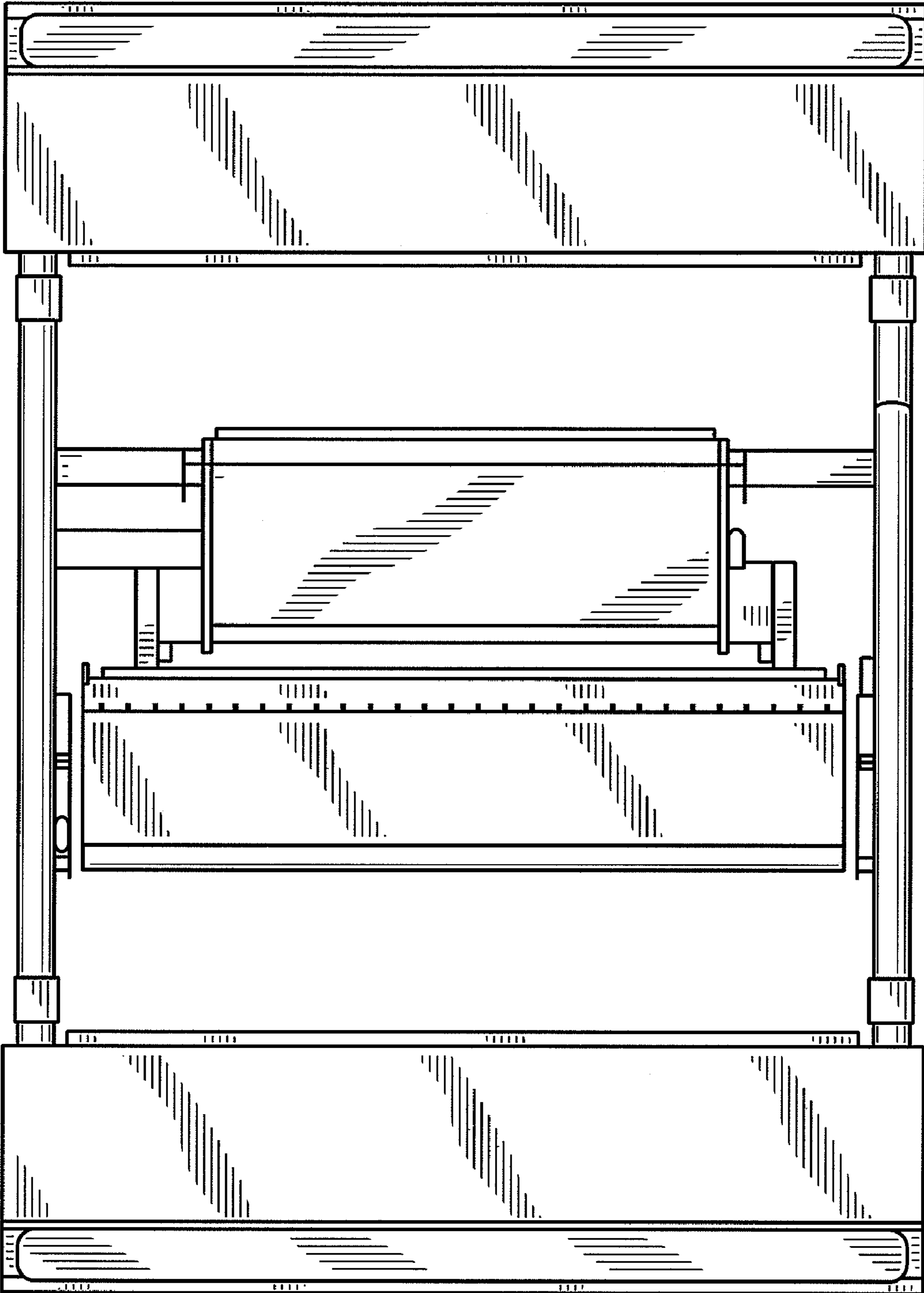


FIG. 7

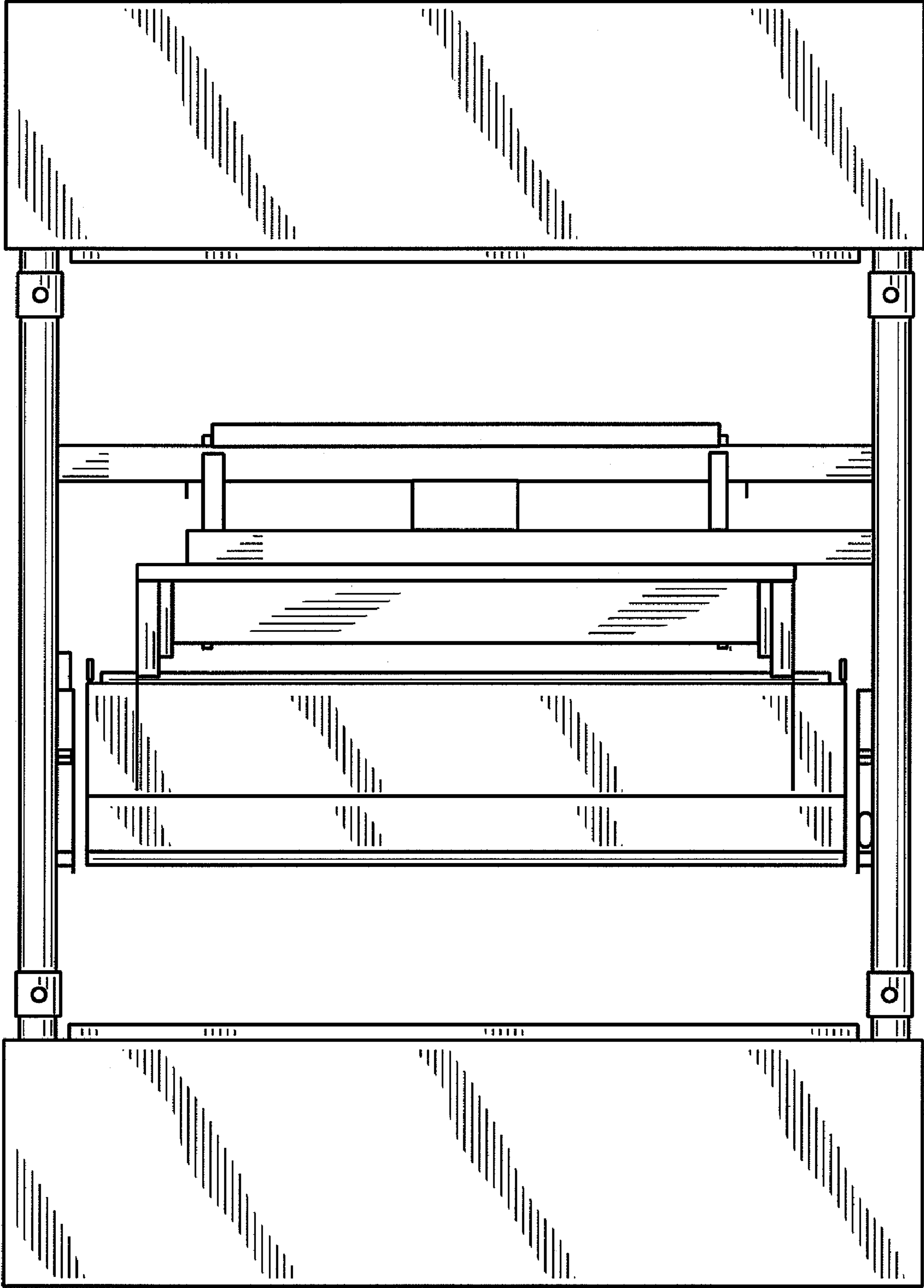


FIG. 8