



US00D560231S

(12) **United States Design Patent**
Lee

(10) **Patent No.:** **US D560,231 S**
(45) **Date of Patent:** **** Jan. 22, 2008**

(54) **PORTABLE MULTIMEDIA PLAYER**

(75) Inventor: **Myoung-Yong Lee**, Seoul (KR)

(73) Assignee: **Cowon Systems, Inc.** (KR)

(**) Term: **14 Years**

(21) Appl. No.: **29/278,634**

(22) Filed: **Apr. 4, 2007**

(30) **Foreign Application Priority Data**

Oct. 13, 2006 (KR) 30-2006-0041257

(51) **LOC (8) Cl.** **14-03**

(52) **U.S. Cl.** **D14/496**

(58) **Field of Classification Search** D14/496,
D14/401, 435, 474, 483, 217, 137, 138, 160,
D14/168; 345/156, 169, 173-179, 905; 455/11.1,
455/7.73, 344-351, 93-95; 370/342-344;
369/1, 2, 6, 12; 463/43-47; 273/148 B
See application file for complete search history.

(56) **References Cited**

U.S. PATENT DOCUMENTS

5,825,409 A * 10/1998 Ma et al. 348/88
6,639,577 B2 * 10/2003 Eberhard 345/102
D509,834 S * 9/2005 Kataoka D14/496

6,977,675 B2 * 12/2005 Kotzin 348/208.2
D516,578 S * 3/2006 Matsuoka D14/496
D517,538 S * 3/2006 Chen et al. D14/257
D519,523 S * 4/2006 Chiu et al. D14/496
D523,445 S * 6/2006 Toh D14/496
D534,184 S * 12/2006 Leija et al. D14/496

* cited by examiner

Primary Examiner—Prabhakar Deshmukh
(74) *Attorney, Agent, or Firm*—Cantor Colburn LLP

(57) **CLAIM**

I claim, the ornamental design for a portable multimedia player, as shown and described.

DESCRIPTION

FIG. 1 is a perspective view of a portable multimedia player, showing my new design;

FIG. 2 is a front elevational view thereof;

FIG. 3 is a rear elevational view thereof;

FIG. 4 is a left side elevational view thereof;

FIG. 5 is a right side elevational view thereof;

FIG. 6 is a top plan view thereof; and,

FIG. 7 is a bottom plan view thereof.

1 Claim, 4 Drawing Sheets

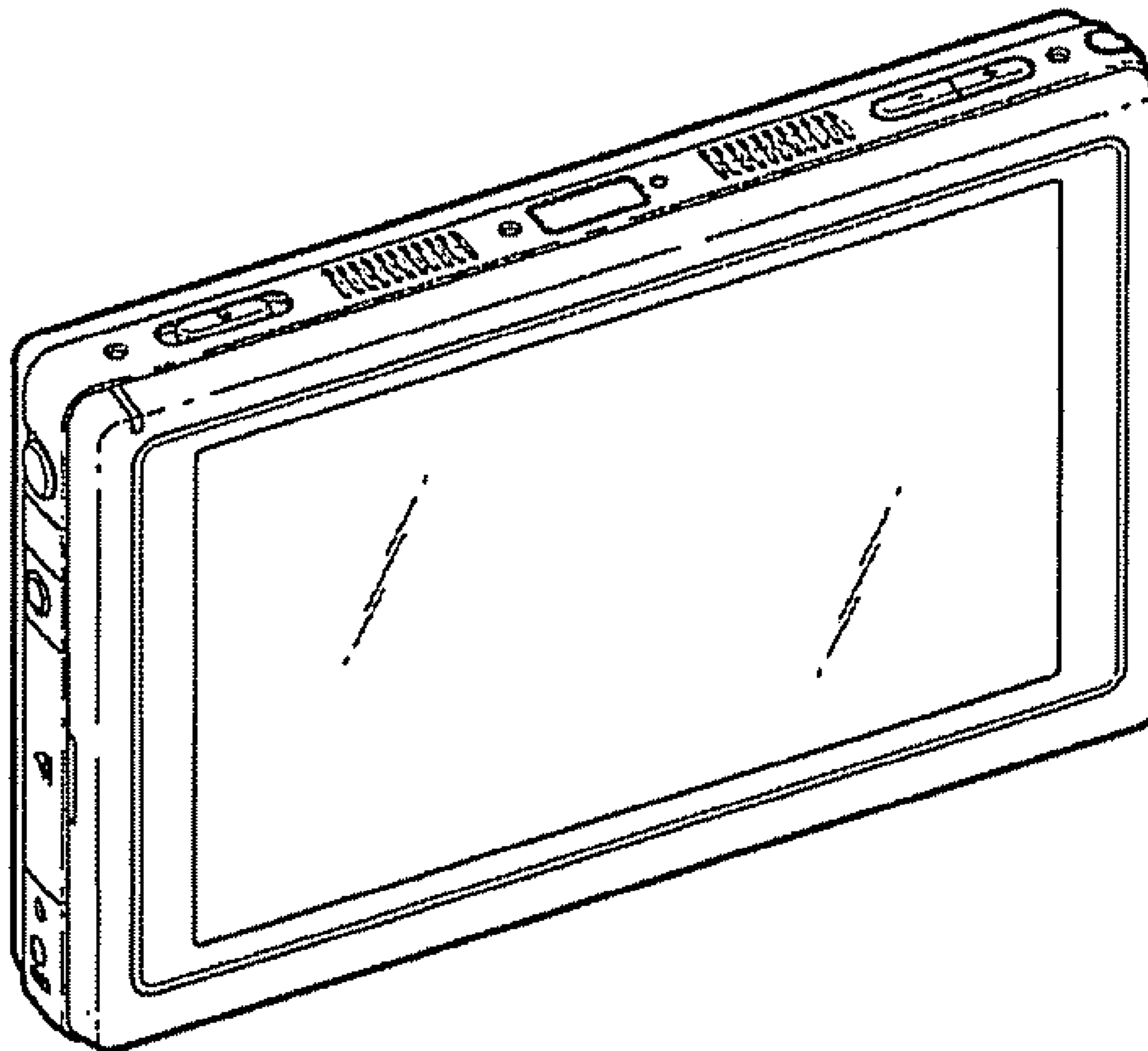


FIG. 1

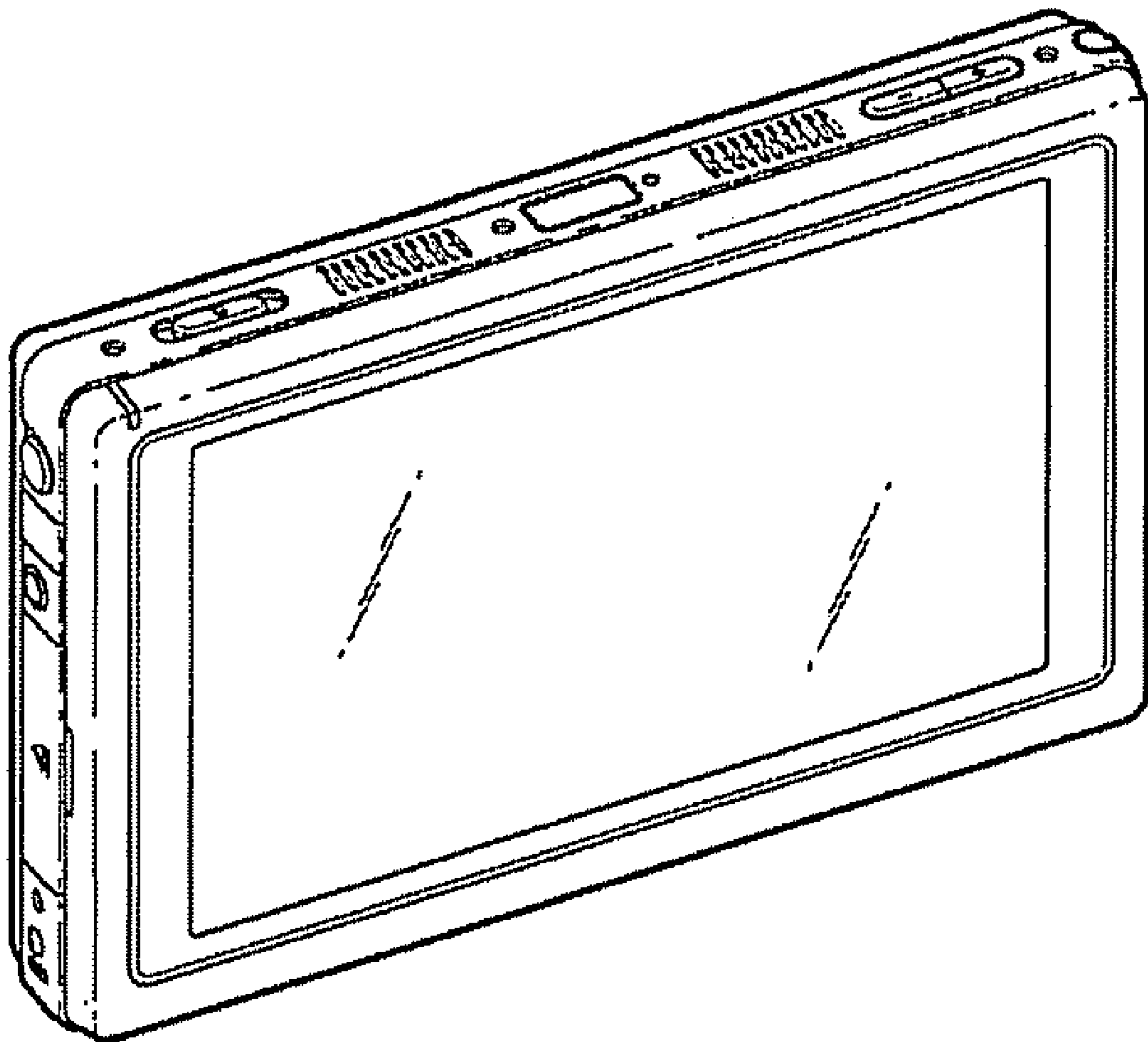


FIG. 2

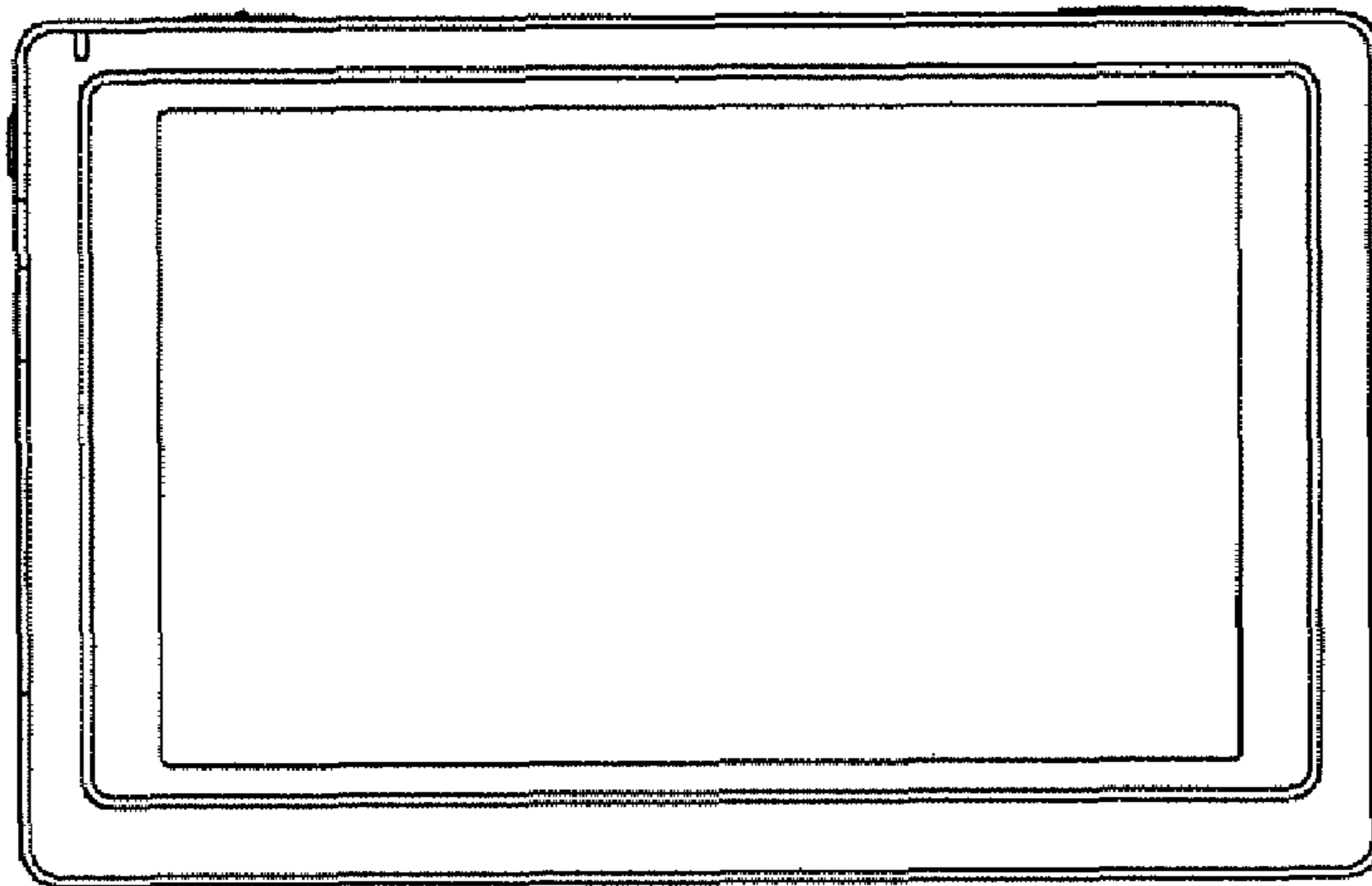


FIG. 3

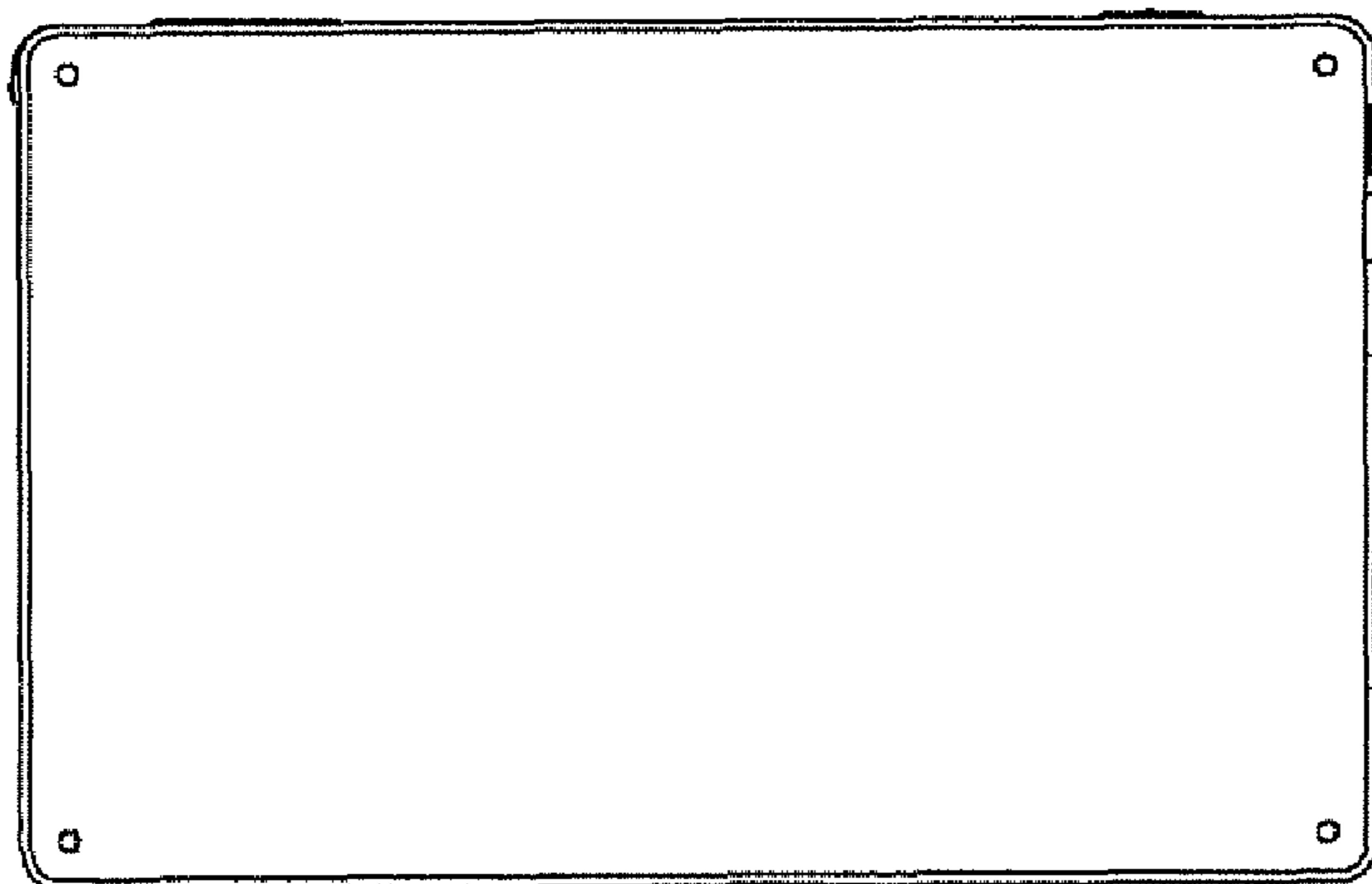


FIG. 4

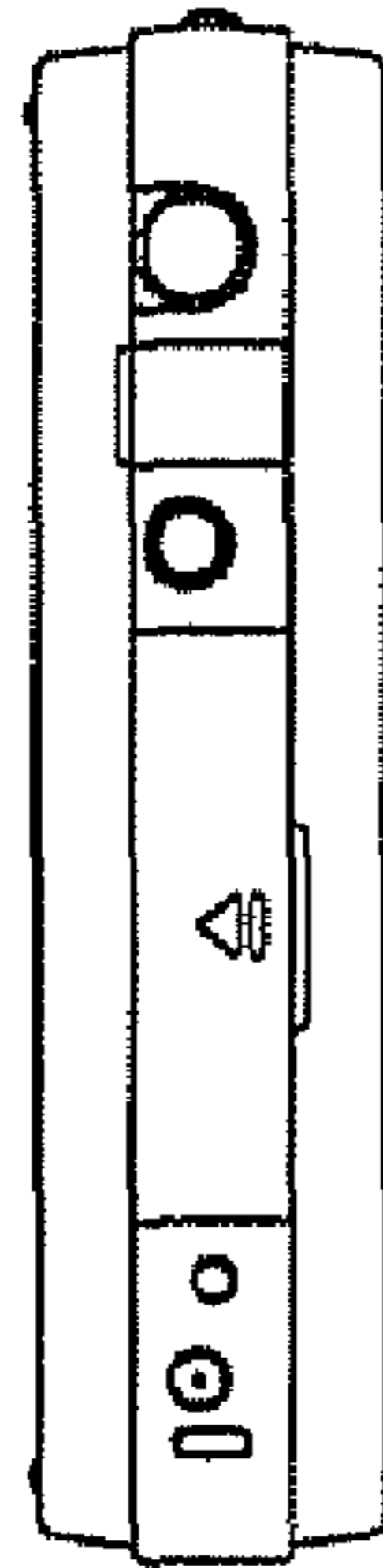


FIG. 5

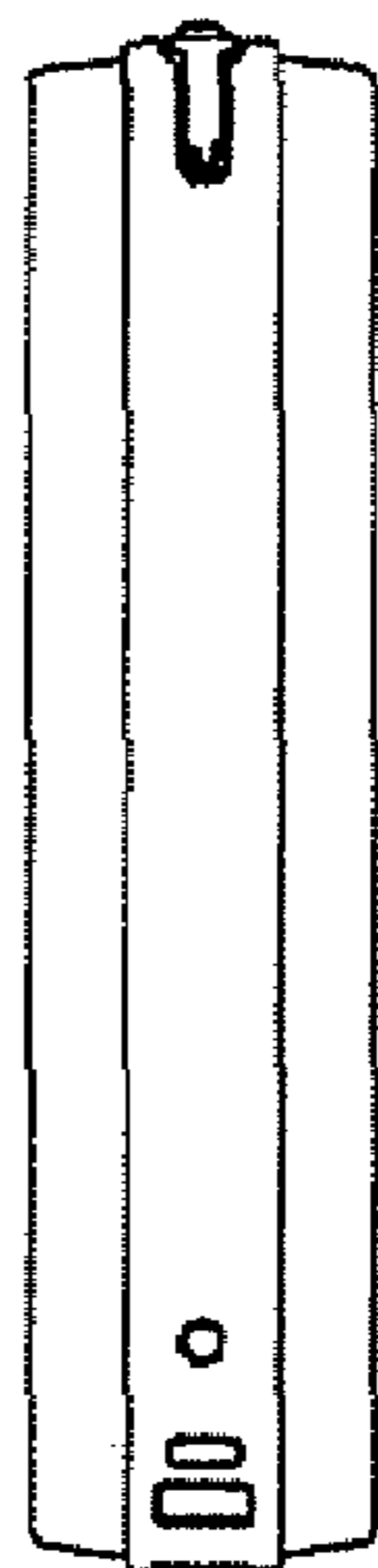


FIG. 6

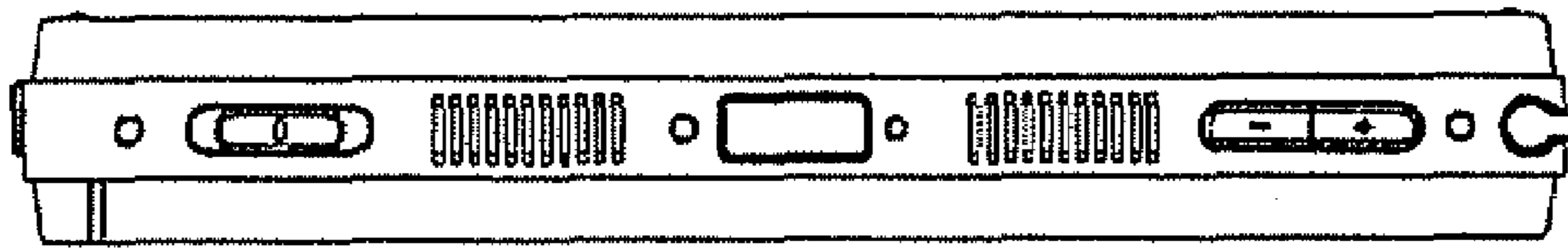


FIG. 7

