



US00D560222S

(12) **United States Design Patent**
Anderson et al.

(10) **Patent No.:** **US D560,222 S**

(45) **Date of Patent:** **** Jan. 22, 2008**

(54) **TILTABLE PLATE MOUNT FOR AUDIO/VISUAL EQUIPMENT**

(75) Inventors: **David Anderson**, Mesa, AZ (US);
Zachary Eymann, Phoenix, AZ (US);
Brett Stenhouse, Phoenix, AZ (US);
Korry Hoglan, Phoenix, AZ (US)

(73) Assignee: **Omnimount Systems, Inc.**, Phoenix, AZ (US)

(**) Term: **14 Years**

(21) Appl. No.: **29/263,833**

(22) Filed: **Jul. 28, 2006**

(51) **LOC (8) Cl.** **14-03**

(52) **U.S. Cl.** **D14/451**

(58) **Field of Classification Search** D14/129,
D14/209, 217, 224, 237, 238, 239, 432, 439,
D14/447, 448, 451, 452; D6/449, 513; D8/349,
D8/354, 355, 363, 373, 380, 387, 388, 389;
D16/235, 242; 248/176.1, 201, 205.1, 220.21,
248/223.31, 231.9, 274.1, 276.1, 281.11,
248/284.1, 286.1, 309.1, 323, 324, 349.1,
248/371, 398, 425, 638, 917, 918, 919, 920,
248/921, 922, 923, 924; 348/825, 827, 836
See application file for complete search history.

(56) **References Cited**

U.S. PATENT DOCUMENTS

2,974,918 A * 3/1961 Voigtlander 248/201
4,943,022 A * 7/1990 Rinderer 248/205.1

D494,978 S * 8/2004 Pfister D14/451
D495,713 S * 9/2004 Pfister et al. D14/451
7,175,152 B2 * 2/2007 Dittmer 248/221.11
2004/0232298 A1 * 11/2004 Bremmon et al. 248/281.11
2007/0120030 A1 * 5/2007 Dittmer 248/221.11
2007/0170336 A1 * 7/2007 Li 248/324
2007/0176067 A1 * 8/2007 Monaco 248/284.1

* cited by examiner

Primary Examiner—Cathron Brooks

Assistant Examiner—Angela J Lee

(74) *Attorney, Agent, or Firm*—Hogan & Hartson LLP

(57) **CLAIM**

The ornamental design for a tiltable plate mount for audio/visual equipment, as shown and described.

DESCRIPTION

FIG. 1 is a top, right isometric view of a tiltable plate mount for audio/visual equipment showing our design in a vertical configuration.

FIG. 2 is a front elevational view thereof.

FIG. 3 is a rear elevational view thereof.

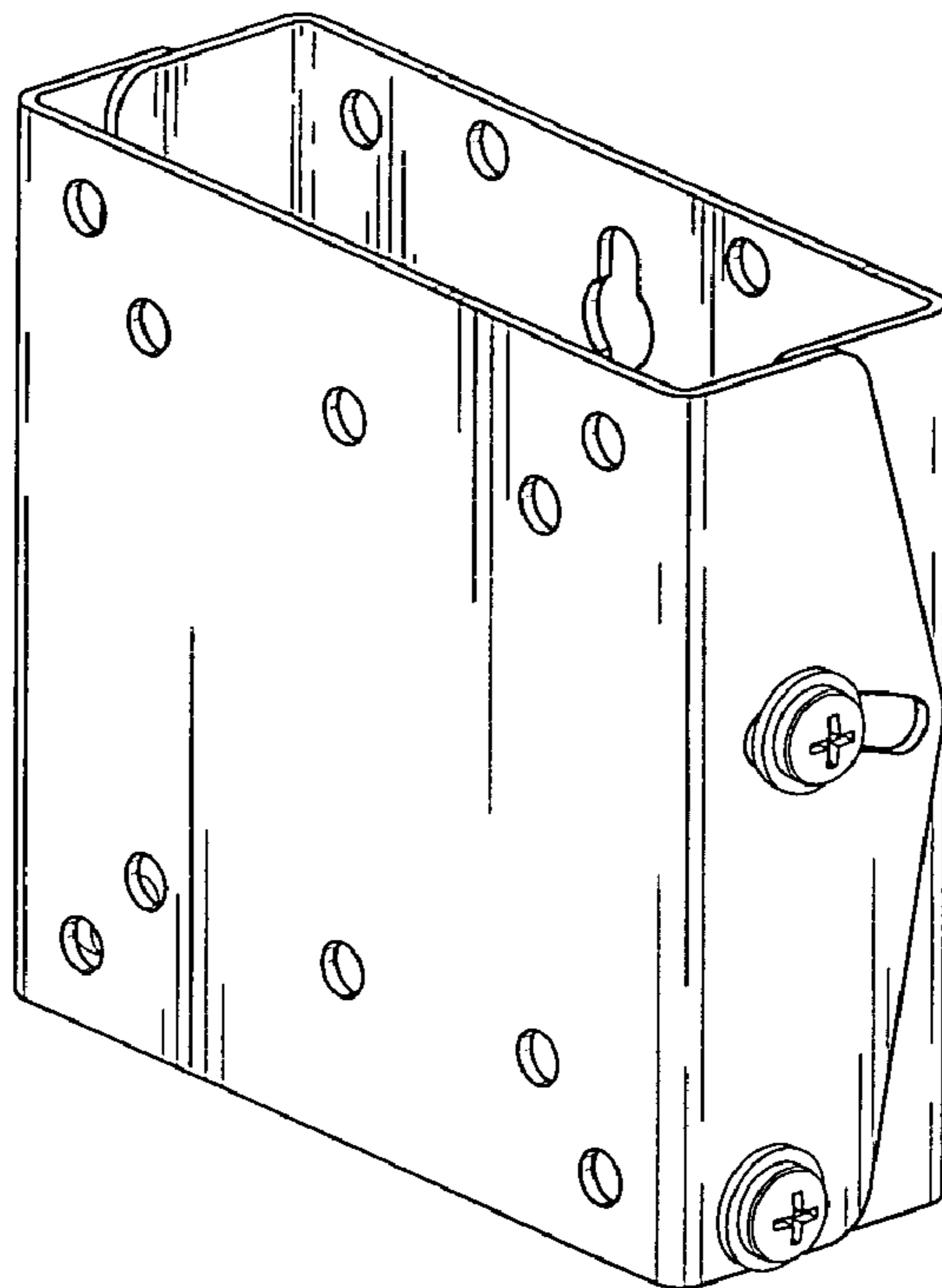
FIG. 4 is a right-side elevational view thereof; the left-side view is a mirror image of FIG. 4.

FIG. 5 is a top plan view thereof.

FIG. 6 is a bottom plan view thereof; and,

FIG. 7 is a top, right isometric view thereof in a tilted configuration.

1 Claim, 2 Drawing Sheets



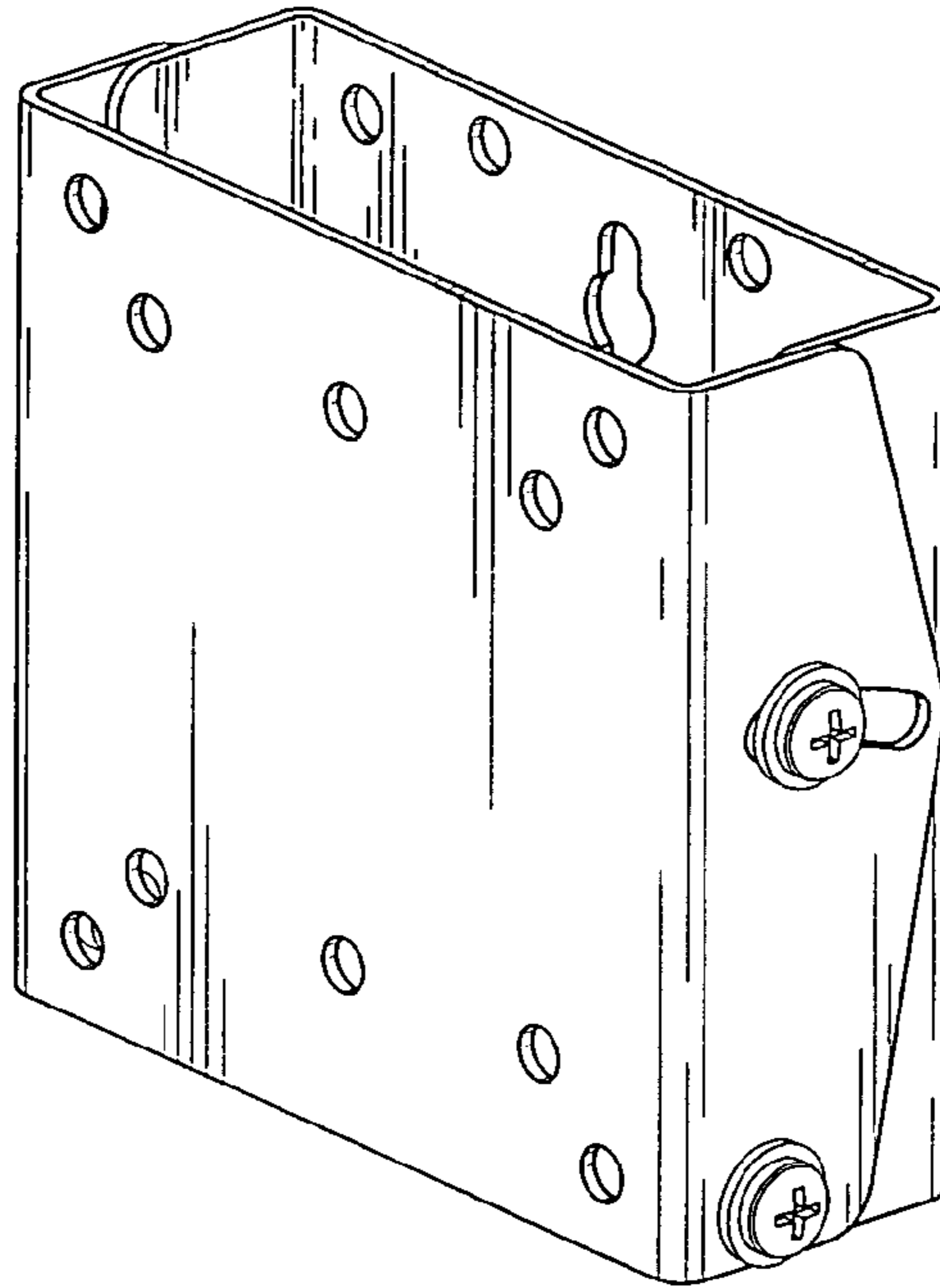


Fig. 1

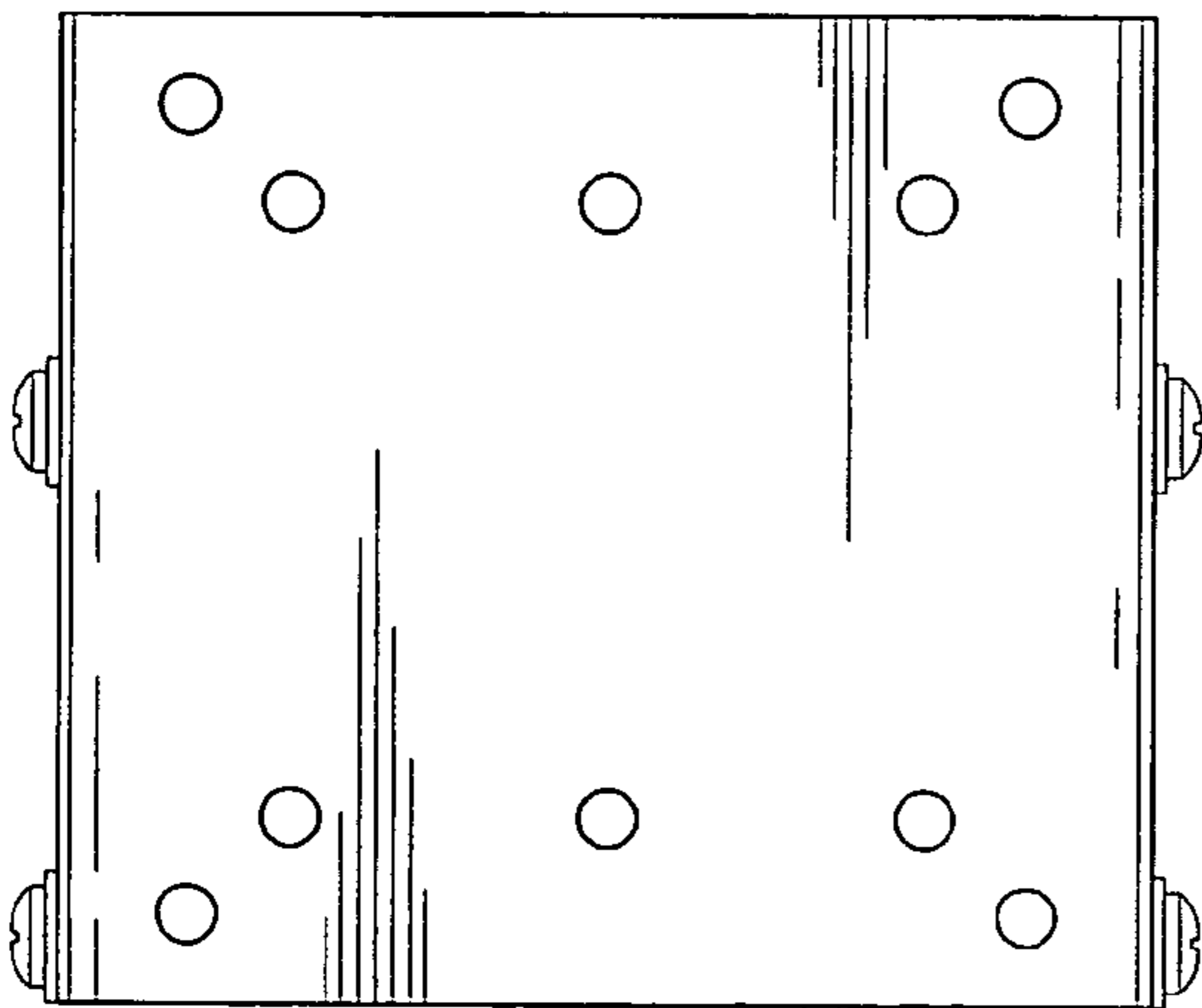


Fig. 2

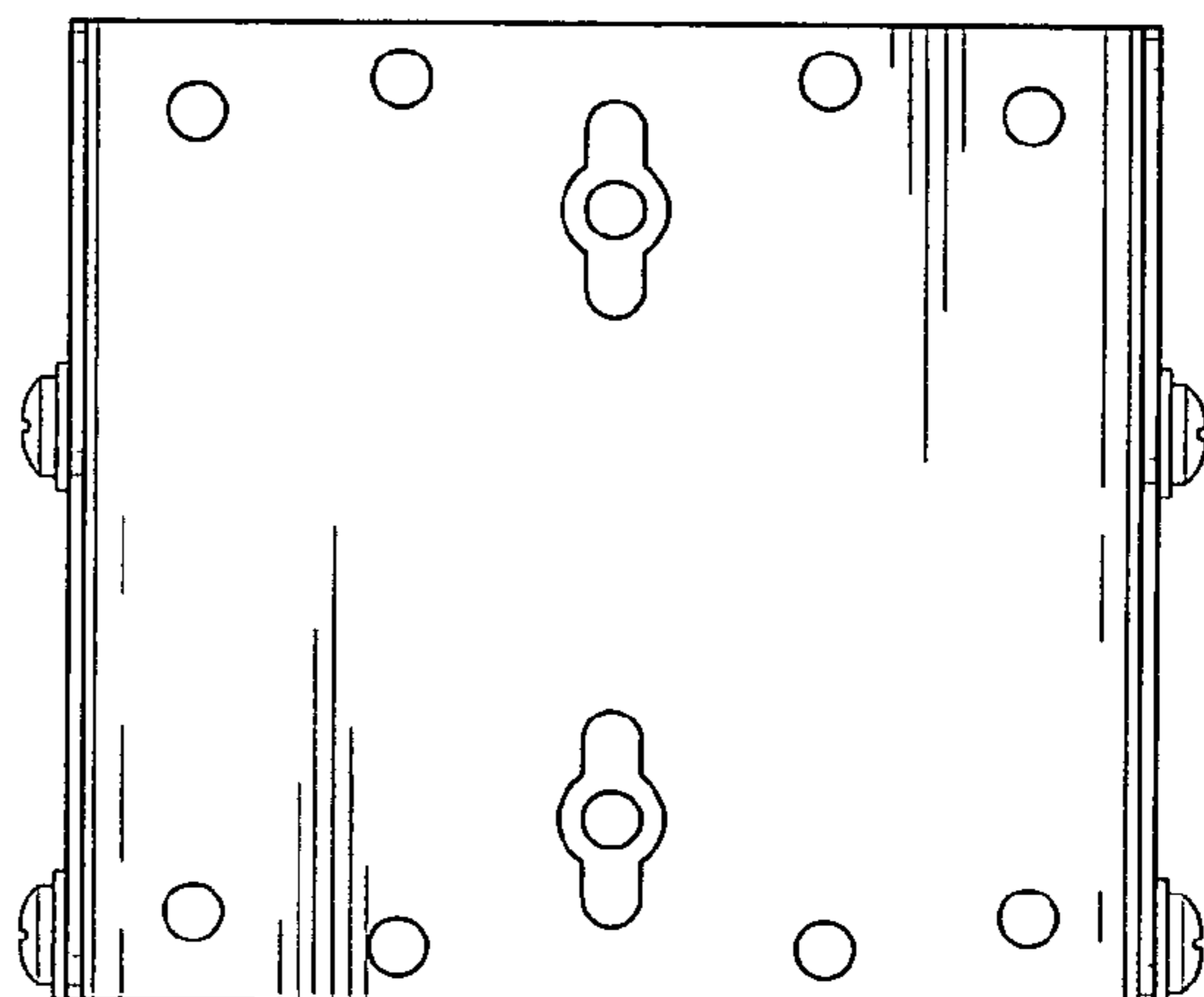


Fig. 3

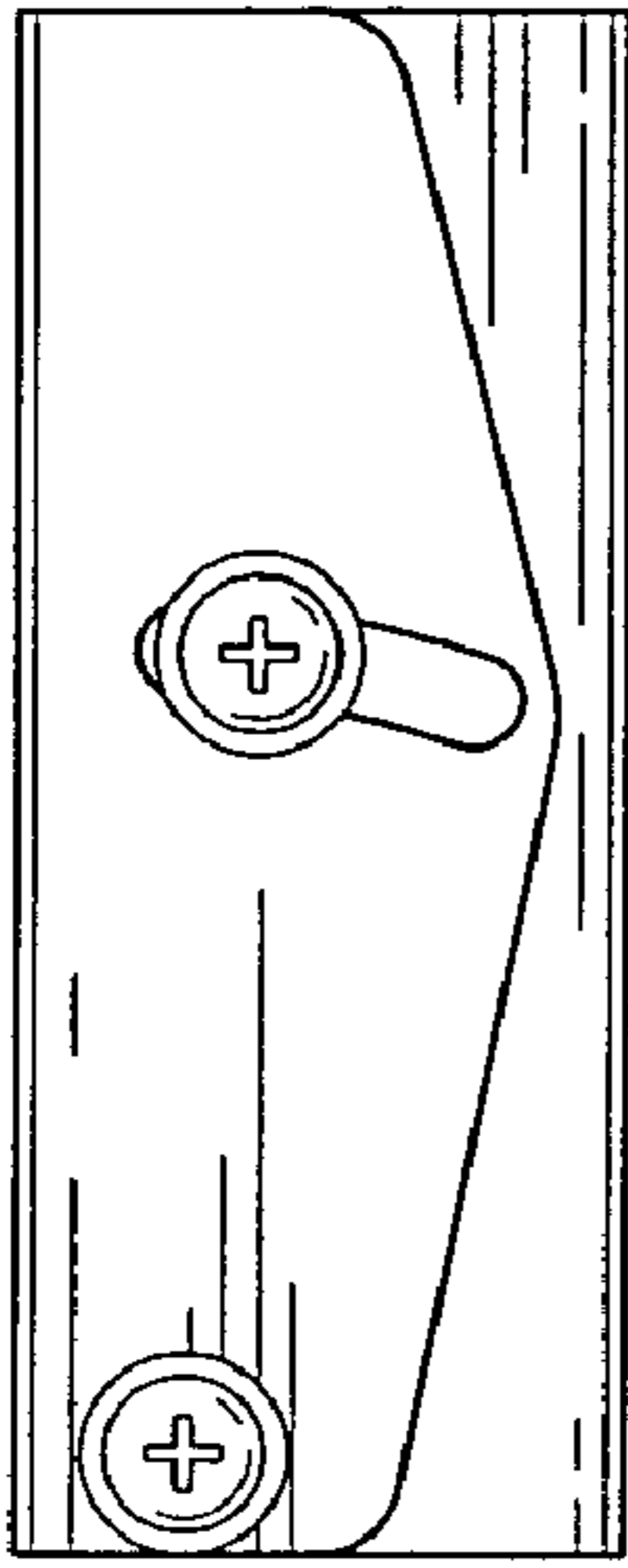


Fig. 4

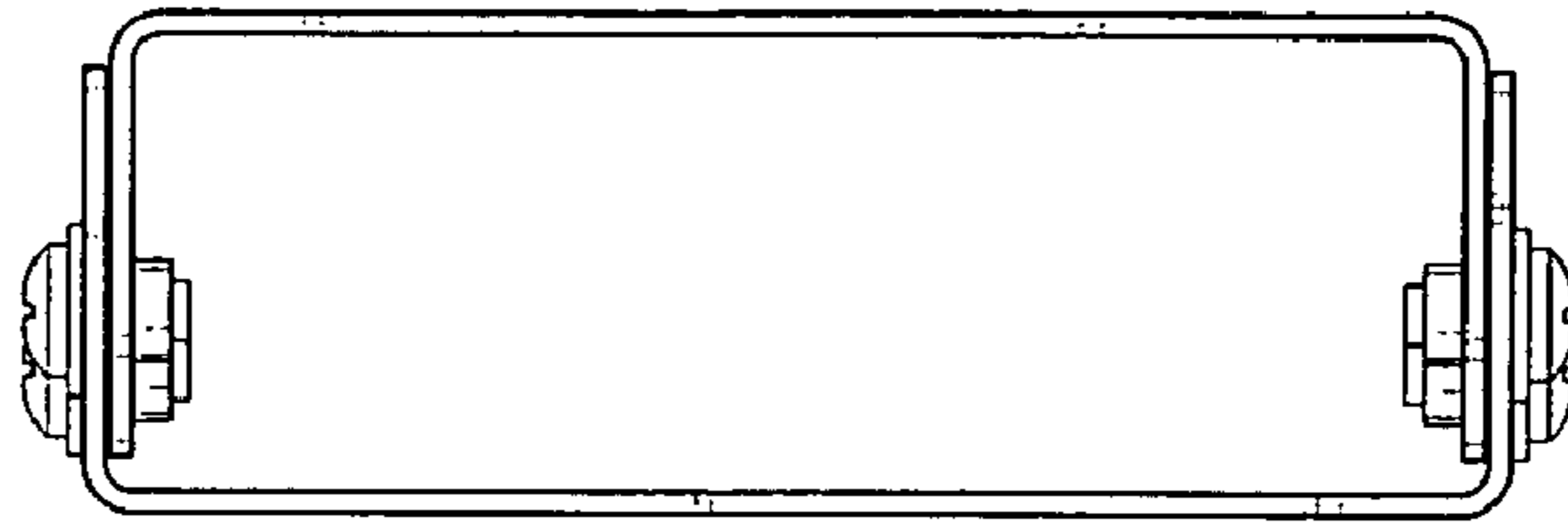


Fig. 5

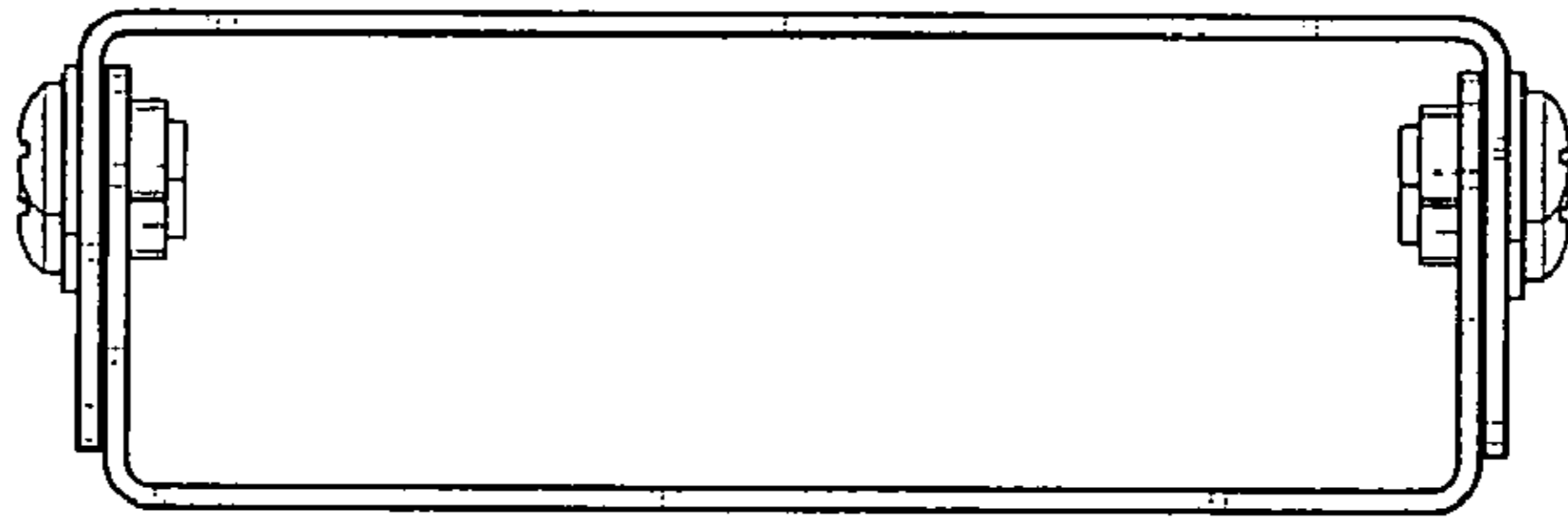


Fig. 6

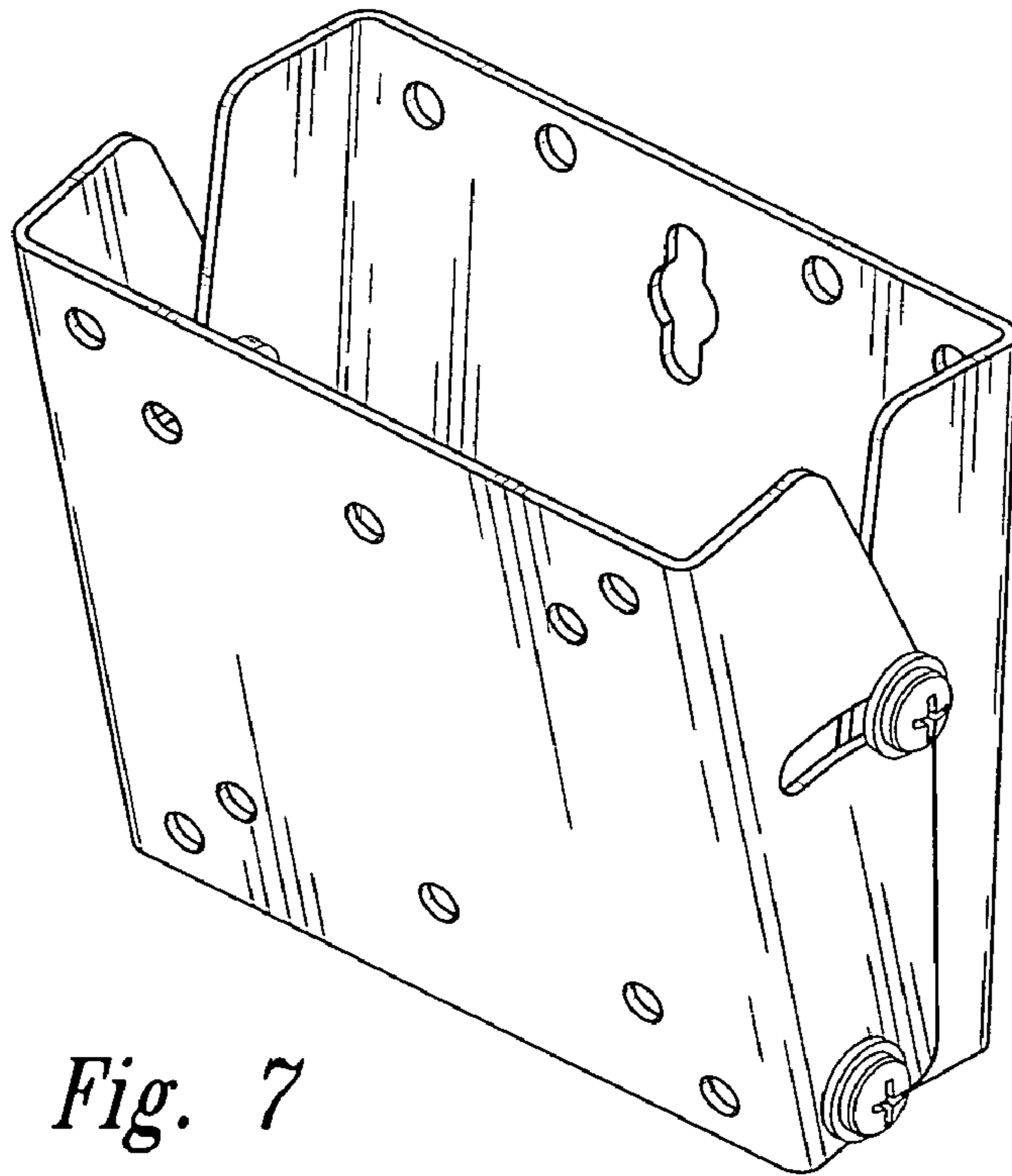


Fig. 7