



US00D560221S

(12) **United States Design Patent**  
**Hoglan et al.**

(10) **Patent No.: US D560,221 S**  
(45) **Date of Patent: \*\* Jan. 22, 2008**

(54) **FIXED PLATE MOUNT FOR AUDIO/VISUAL EQUIPMENT**

(75) Inventors: **Korry Hoglan**, Phoenix, AZ (US);  
**Zachary Eyman**, Phoenix, AZ (US);  
**Brett Stenhouse**, Phoenix, AZ (US);  
**David I. Anderson**, Mesa, AZ (US)

(73) Assignee: **Omnimount Systems, Inc.**, Phoenix, AZ (US)

(\*\*) Term: **14 Years**

(21) Appl. No.: **29/263,821**

(22) Filed: **Jul. 28, 2006**

(51) **LOC (8) Cl. .... 14-03**

(52) **U.S. Cl. .... D14/451**

(58) **Field of Classification Search** ..... D14/129,  
D14/209, 217, 224, 237, 238, 239, 432, 439,  
D14/447, 448, 451, 452; D6/449, 513; D8/349,  
D8/354, 355, 363, 373, 380, 387, 388, 389;  
D16/235, 242; 248/176.1, 201, 205.1, 220.21,  
248/223.31, 231.9, 274.1, 276.1, 281.11,  
248/284.1, 286.1, 309.1, 323, 324, 349.1,  
248/371, 398, 425, 638, 917, 918, 919, 920,  
248/921, 922, 923, 924; 348/825, 827, 836  
See application file for complete search history.

(56) **References Cited**

**U.S. PATENT DOCUMENTS**

D244,508 S \* 5/1977 Neece ..... D8/354

D472,793 S \* 4/2003 Callahan et al. .... D8/349  
D480,948 S \* 10/2003 Patrizzi et al. .... D8/373  
D482,038 S \* 11/2003 Gustafsson ..... D14/447  
D492,187 S \* 6/2004 Mottini ..... D8/354  
D533,547 S \* 12/2006 Sergi ..... D14/238  
7,175,152 B2 \* 2/2007 Dittmer ..... 248/221.11  
D543,838 S \* 6/2007 Yoshiguchi ..... D8/373  
7,237,349 B2 \* 7/2007 Huang ..... 40/606.14  
2002/0033436 A1 \* 3/2002 Peng et al. .... 248/284.1  
2006/0016947 A1 \* 1/2006 Capozzi et al. .... 248/284.1  
2007/0120030 A1 \* 5/2007 Dittmer ..... 248/221.11

\* cited by examiner

*Primary Examiner*—Cathron Brooks

*Assistant Examiner*—Angela J Lee

(74) *Attorney, Agent, or Firm*—Hogan & Hartson LLP

(57) **CLAIM**

The ornamental design for a fixed plate mount for audio/visual equipment, as shown and described.

**DESCRIPTION**

FIG. 1 is a top, right isometric view of a fixed plate mount for audio/visual equipment showing our design.

FIG. 2 is a front elevational view thereof.

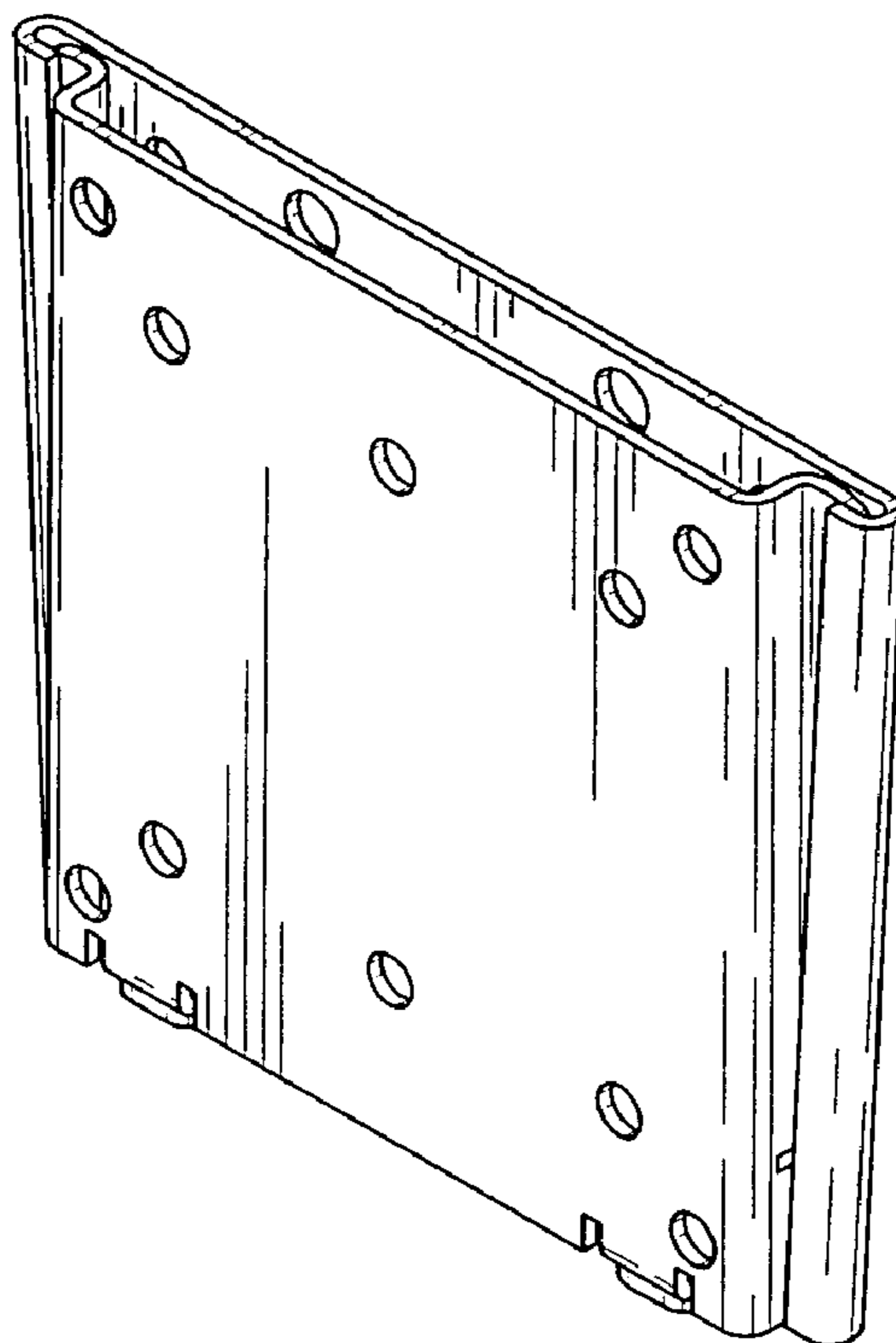
FIG. 3 is a rear elevational view thereof.

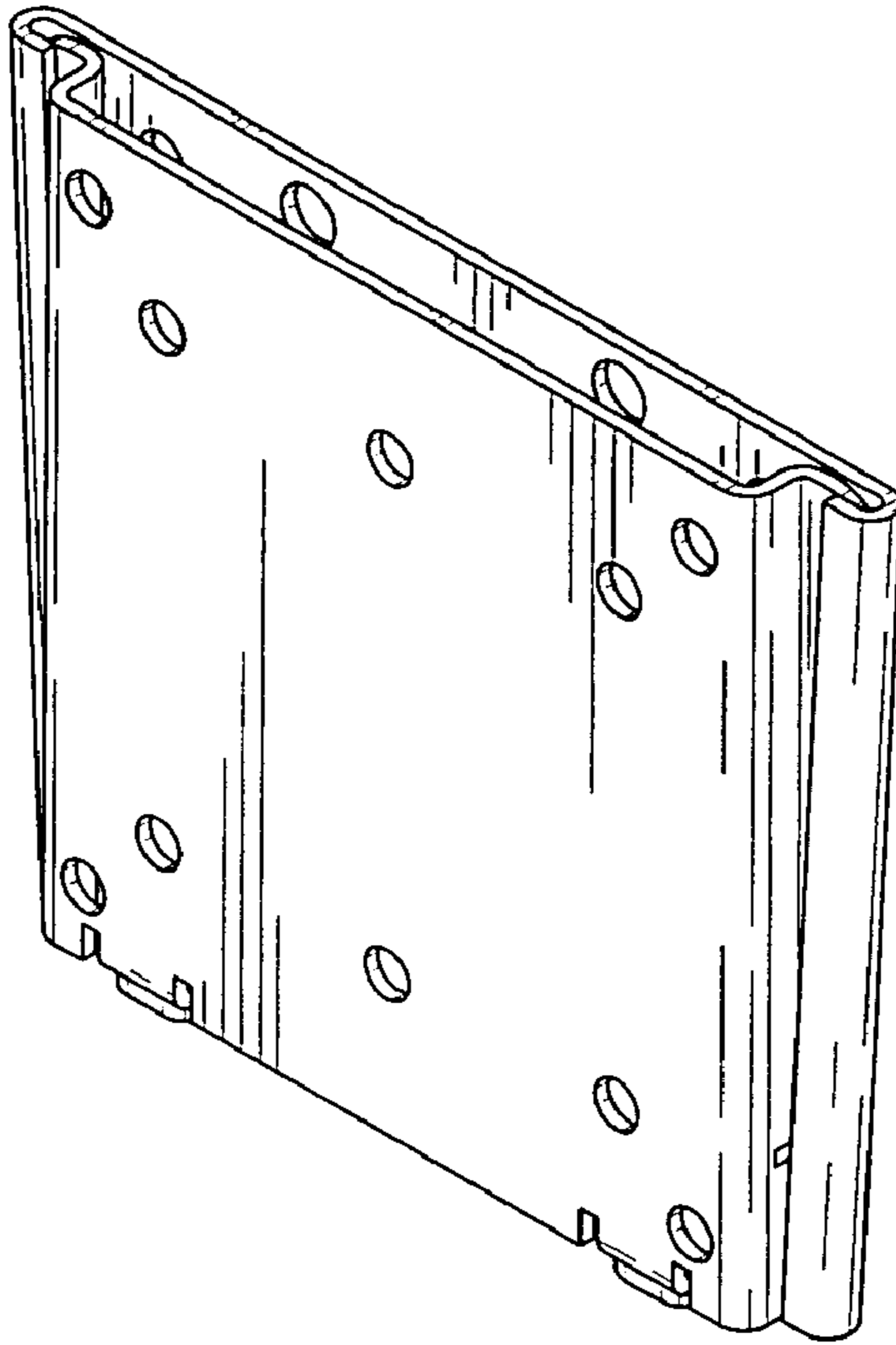
FIG. 4 is a right-side elevational view thereof; the left-side view is a mirror image of FIG. 4.

FIG. 5 is a top plan view thereof; and,

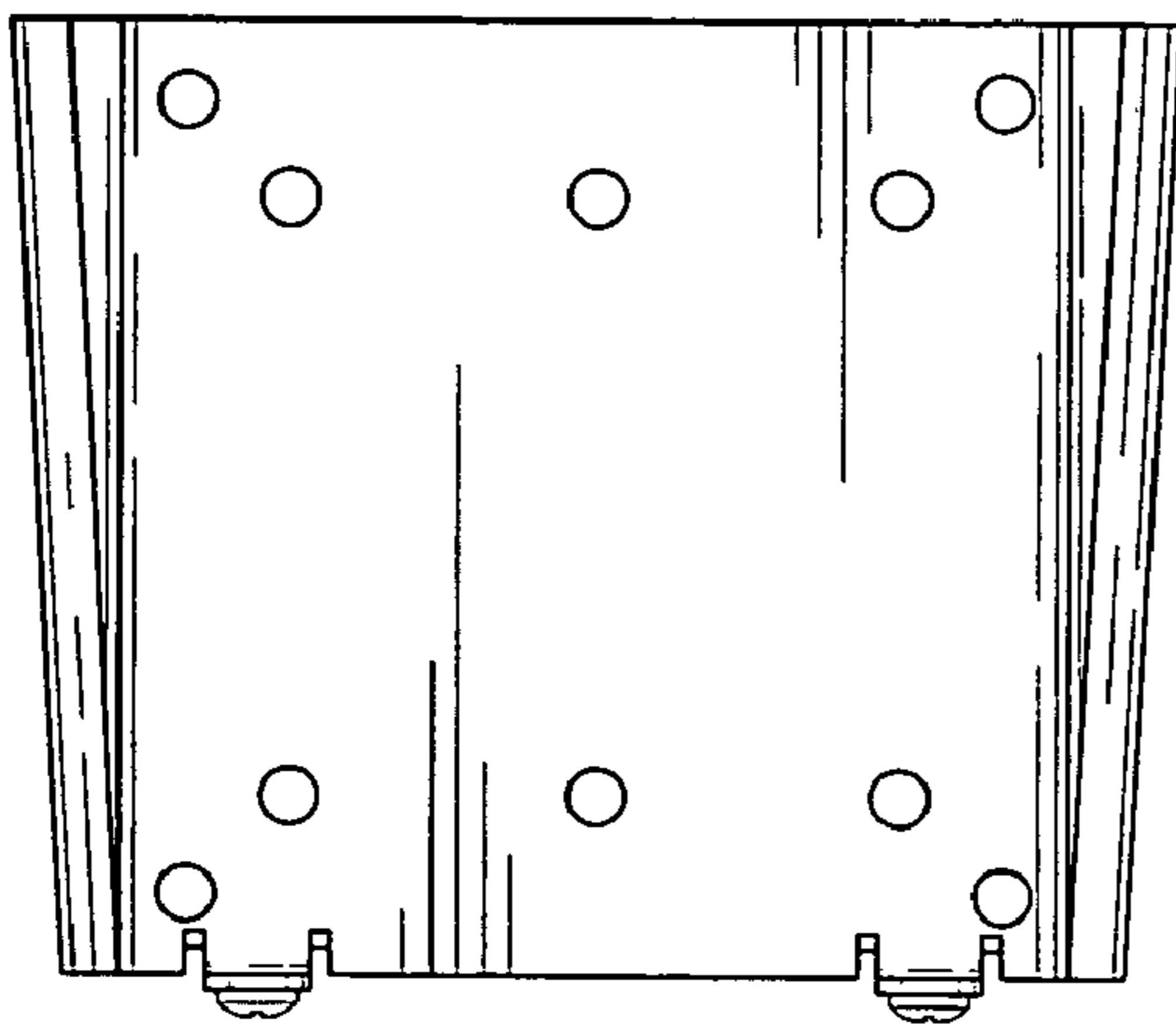
FIG. 6 is a bottom plan view thereof.

**1 Claim, 2 Drawing Sheets**

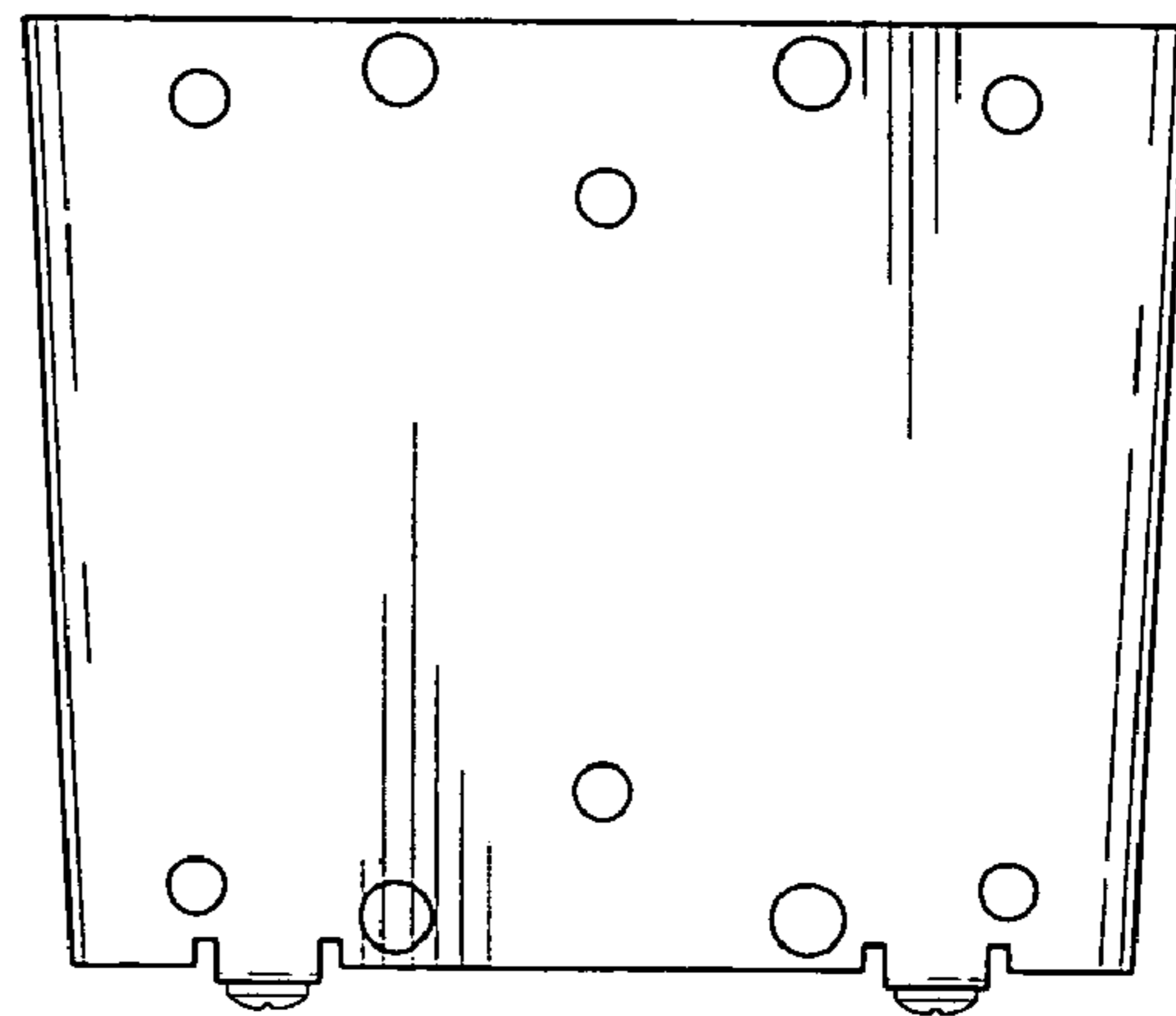




*Fig. 1*



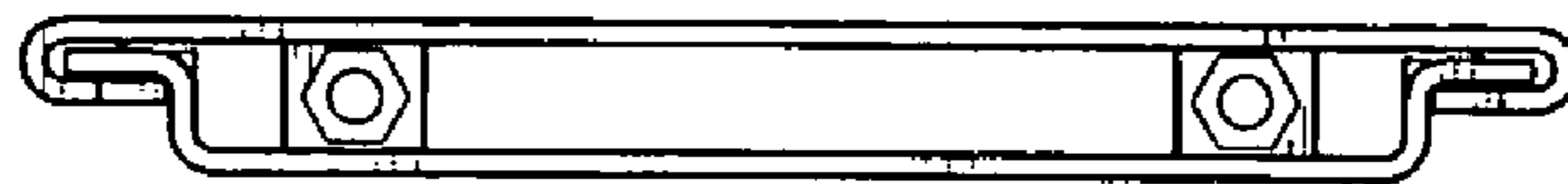
*Fig. 2*



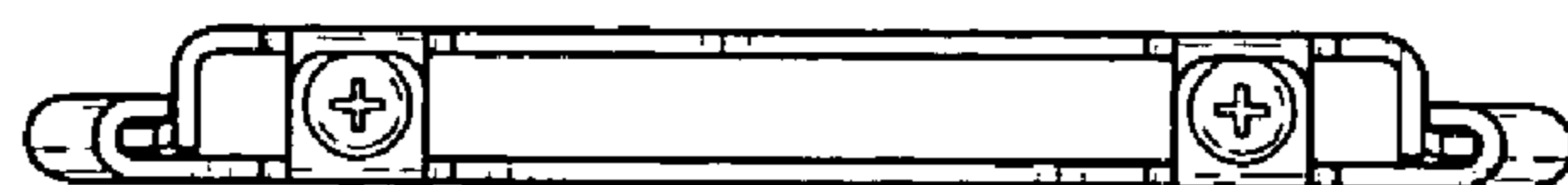
*Fig. 3*



*Fig. 4*



*Fig. 5*



*Fig. 6*